



US00D682262S

(12) **United States Design Patent**  
**Akana et al.**

(10) **Patent No.:** **US D682,262 S**  
(45) **Date of Patent:** **\*\* May 14, 2013**

(54) **PORTABLE DISPLAY DEVICE WITH ANIMATED GRAPHICAL USER INTERFACE**

(75) Inventors: **Jody Akana**, San Francisco, CA (US); **Bartley K. Andre**, Menlo Park, CA (US); **Daniel J. Coster**, San Francisco, CA (US); **Daniele De Iulii**, San Francisco, CA (US); **M. Evans Hankey**, San Francisco, CA (US); **Richard P. Howarth**, San Francisco, CA (US); **Jonathan P. Ive**, San Francisco, CA (US); **Steve Jobs**, Palo Alto, CA (US); **Duncan Robert Kerr**, San Francisco, CA (US); **Stephen O. Lemay**, San Francisco, CA (US); **Shin Nishibori**, Portola Valley, CA (US); **Matthew Dean Rohrbach**, San Francisco, CA (US); **Peter Russell-Clarke**, San Francisco, CA (US); **Christopher J. Stringer**, Woodside, CA (US); **Eugene Antony Whang**, San Francisco, CA (US); **Rico Zorkendorfer**, San Francisco, CA (US)

(73) Assignee: **Apple Inc.**, Cupertino, CA (US)

(\*\*) Term: **14 Years**

(21) Appl. No.: **29/365,385**

(22) Filed: **Jul. 8, 2010**

(51) **LOC (9) Cl.** ..... **14-02**

(52) **U.S. Cl.** ..... **D14/341; D14/486**

(58) **Field of Classification Search** ..... D14/341-347, D14/137, 138, 138.1, 138 AA, 138 R, 138 AB, D14/138 AC, 138 AD, 138 C, 138 G, 496, D14/203.1, 203.3, 203.4, 203.5, 203.6, 203.7, D14/426, 427, 428, 432, 429, 129, 130, 420, D14/439-441, 448, 125, 147, 156, 218, 247-248, D14/250, 389, 336, 485-495; D10/65, 104; D18/6-7; D21/29, 686, 33, 324, 329, 330; D19/60; 345/169, 901, 905; 348/169; 361/814; 341/122; 346/173; 379/433.04, 433.07, 379/433.11, 433.12, 433.13, 910, 916, 433.01, 379/433.06

See application file for complete search history.

(56) **References Cited**

**U.S. PATENT DOCUMENTS**

2,424,630 A 7/1947 Perez

(Continued)

**FOREIGN PATENT DOCUMENTS**

AU 315078 7/2007

(Continued)

**OTHER PUBLICATIONS**

HP Compaq Tablet PC TC1000-TM5800 1GHz—10.4" TFT, CNET Reviews, [http://reviews.cnet.com/tablet-pcs/hp-compaq-tablet-pc/4505-1707\\_7-20627295.html](http://reviews.cnet.com/tablet-pcs/hp-compaq-tablet-pc/4505-1707_7-20627295.html). Downloaded Apr. 20, 2010, 13 pages.

(Continued)

*Primary Examiner* — Barbara Fox

(74) *Attorney, Agent, or Firm* — Sterne, Kessler, Goldstein & Fox PLLC

(57) **CLAIM**

The ornamental design for a portable display device with animated graphical user interface, as shown and described.

**DESCRIPTION**

This application is a Continuation application of and claims priority to U.S. Design Patent application Ser. No. 29/353,307, filed Jan. 6, 2010 and U.S. Patent application Ser. No. 29/354,643, filed Jan. 27, 2010, the disclosures of which are incorporated herein in their entirety by reference thereto.

FIG. 1 is a front view of a first image of a portable display device with animated graphical user interface showing our new design;

FIG. 2 is a front view of a second image thereof;

FIG. 3 is a front view of a third image thereof;

FIG. 4 is a front view of a fourth image thereof;

FIG. 5 is a front view of a fifth image thereof;

FIG. 6 is a front view of a sixth image thereof;

FIG. 7 is a rear view thereof;

FIG. 8 is a top view thereof;

FIG. 9 is a left side view thereof;

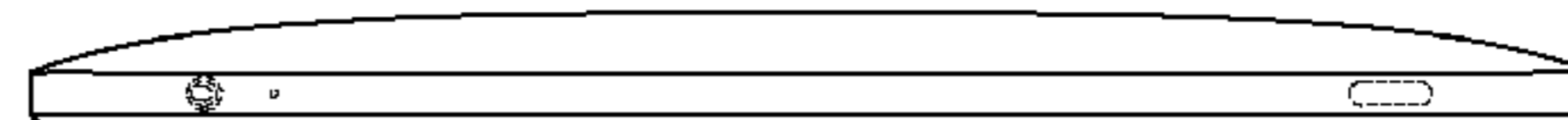
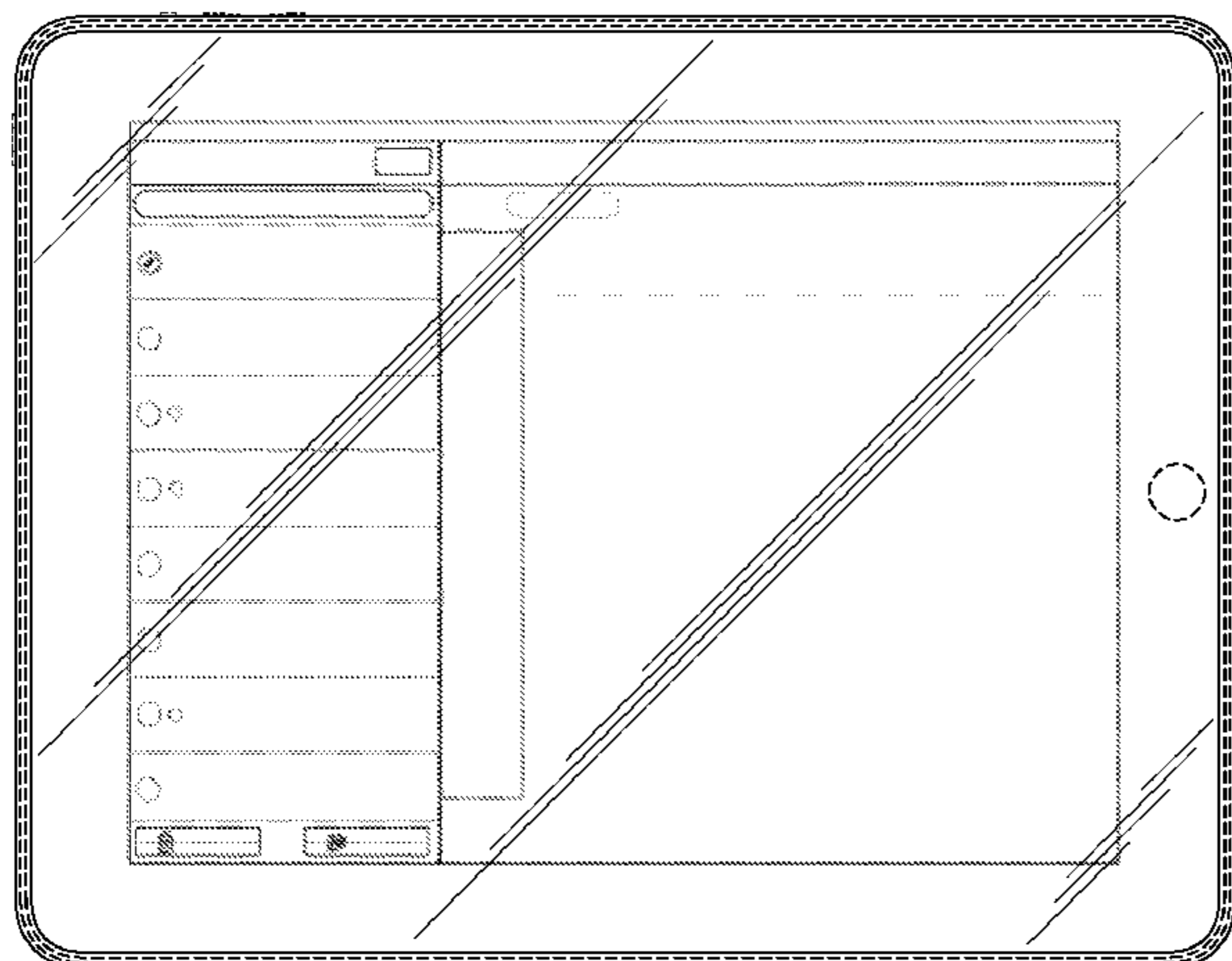
FIG. 10 is a right side view thereof; and,

FIG. 11 is a bottom view thereof.

The broken lines in the drawings represent unclaimed portions of the portable display device with animated graphical user interface and form no part of the claimed design.

The appearance of the image transitions sequentially between the images shown in FIGS. 1 through 6, respectively. The process or period in which an image transitions to another forms no part of the claimed design.

**1 Claim, 8 Drawing Sheets**



# US D682,262 S

U.S. PATENT DOCUMENTS					
D262,151 S	12/1981	Sussman	D484,471 S	12/2003	Lin et al.
D265,326 S	7/1982	Sugiyama	D485,265 S	1/2004	Sato et al.
D270,061 S	8/1983	Ackeret	D486,149 S	2/2004	Kawami et al.
D270,062 S	8/1983	Ackeret	6,690,387 B2	2/2004	Zimmerman et al.
D270,063 S	8/1983	Ackeret	D488,469 S	4/2004	Batsikas
D270,066 S	8/1983	Ackeret	D489,731 S	5/2004	Huang
D278,276 S	4/1985	Bakic	D490,420 S	5/2004	Solomon et al.
4,545,023 A	10/1985	Mizzi	D491,936 S	6/2004	Jao
D284,084 S	6/1986	Ferrara, Jr.	D492,684 S	7/2004	Ozolins et al.
D289,873 S	5/1987	Gemmell et al.	D494,164 S	8/2004	Wu et al.
D306,583 S	3/1990	Krolopp et al.	D496,040 S	9/2004	Jobs et al.
D308,055 S	5/1990	Tedham et al.	D496,362 S	9/2004	Ozolins et al.
D317,609 S	6/1991	Wei	D496,363 S	9/2004	Ozolins et al.
D321,215 S	10/1991	Shamis	D497,364 S	10/2004	Ozolins et al.
D332,328 S	1/1993	Lombardi, Jr.	D497,910 S	11/2004	Huang et al.
D333,574 S	3/1993	Ackeret	6,822,635 B2	11/2004	Shahoian et al.
D337,322 S	7/1993	Tso	D500,037 S	12/2004	Ozolins et al.
D337,569 S	7/1993	Kando	D500,765 S	1/2005	Wasko
D340,701 S	10/1993	Takeuchi	D502,179 S	2/2005	Cha et al.
D340,917 S	11/1993	Sakaguchi et al.	D502,944 S	3/2005	Kawami et al.
D345,346 S	3/1994	Alfonso et al.	D504,889 S	5/2005	Andre et al.
D346,589 S	5/1994	Andros	D506,195 S	6/2005	Leveridge et al.
D346,793 S	5/1994	Iino et al.	D514,558 S	2/2006	Nagel et al.
5,345,543 A	9/1994	Capps et al.	D514,568 S	2/2006	Huang et al.
5,347,295 A	9/1994	Agulnick et al.	D515,082 S	2/2006	Moskaluk et al.
5,398,310 A	3/1995	Tchao et al.	D528,517 S	9/2006	Izumi
D361,552 S	8/1995	Iino	D532,791 S	11/2006	Kim
5,463,725 A	10/1995	Henckel et al.	D534,516 S	1/2007	Lheem
D364,153 S	11/1995	Umaba et al.	D534,517 S	1/2007	Cho et al.
5,488,204 A	1/1996	Mead et al.	D535,281 S	1/2007	Yang
5,495,566 A	2/1996	Kwatinetz	D540,203 S	4/2007	Jeon
D377,169 S	1/1997	Chida	D543,183 S	5/2007	Cho et al.
5,703,626 A	12/1997	Itoh et al.	D543,979 S	6/2007	Lee
D395,639 S	6/1998	Ham et al.	D548,713 S	8/2007	Lee et al.
D396,215 S	7/1998	Inukai	D548,747 S	8/2007	Andre et al.
D396,452 S	7/1998	Naruki	D555,663 S	11/2007	Nagata et al.
D408,372 S	4/1999	Ota et al.	D556,211 S	11/2007	Howard et al.
D408,794 S	4/1999	Ogasawara	D557,259 S	12/2007	Hirsch
D409,185 S	5/1999	Kawashima	D558,756 S	1/2008	Andre et al.
D410,440 S	6/1999	Carnell	D558,757 S	1/2008	Andre et al.
D412,157 S	7/1999	Stevenson	D558,758 S	1/2008	Andre et al.
D418,120 S	* 12/1999	Okura et al. .... D14/486	D560,227 S	1/2008	Bennett et al.
D420,354 S	2/2000	Morales	D561,782 S	2/2008	Kim
D424,535 S	5/2000	Peltola	D565,596 S	4/2008	Kim
D425,887 S	5/2000	Edwards et al.	D567,819 S	4/2008	Devericks et al.
6,061,063 A	5/2000	Wagner et al.	D568,309 S	5/2008	Cebe et al.
6,067,068 A	5/2000	Hussain	D572,694 S	7/2008	Park
D438,201 S	2/2001	Ogawa et al.	D573,143 S	7/2008	Park et al.
D444,465 S	7/2001	Do	D575,760 S	8/2008	Kim et al.
D448,031 S	9/2001	Goetz	7,409,059 B2	8/2008	Fujisawa
D448,764 S	10/2001	Marsalka et al.	D577,703 S	9/2008	Lee et al.
6,310,610 B1	10/2001	Beaton et al.	D580,387 S	11/2008	Andre et al.
D451,505 S	12/2001	Iseki et al.	D580,431 S	11/2008	Morita
D452,687 S	1/2002	Yeh	D581,922 S	12/2008	Andre et al.
6,337,698 B1	1/2002	Keely, Jr. et al.	D583,346 S	12/2008	Jung et al.
D453,333 S	2/2002	Chen	D583,373 S	12/2008	Chen
D454,348 S	3/2002	Yeh	D584,711 S	1/2009	Kim et al.
D455,433 S	4/2002	Alviar et al.	D584,738 S	1/2009	Kim et al.
D456,023 S	4/2002	Andre et al.	D586,800 S	2/2009	Andre et al.
D456,805 S	5/2002	Ono et al.	D592,211 S	5/2009	Ichise et al.
D457,530 S	5/2002	Amron	D592,212 S	5/2009	Hamada et al.
D458,252 S	6/2002	Palm et al.	D593,059 S	5/2009	Kim et al.
D461,175 S	8/2002	Yokota	D593,132 S	5/2009	Kim
D461,802 S	8/2002	Tu	D594,863 S	6/2009	Ichise et al.
D466,096 S	11/2002	Takada	D597,067 S	7/2009	Oh et al.
D466,501 S	12/2002	Hirota	D598,016 S	8/2009	Han et al.
D467,890 S	12/2002	Lai et al.	D599,342 S	9/2009	Andre et al.
6,501,967 B1	12/2002	Mäkelä et al.	D600,241 S	9/2009	Andre et al.
D469,413 S	1/2003	To et al.	D600,690 S	9/2009	Miyaji
6,509,907 B1	1/2003	Kuwabara	D601,353 S	10/2009	Sadler et al.
D469,762 S	2/2003	Iwama et al.	D601,558 S	10/2009	Andre et al.
D474,163 S	5/2003	Araki	D602,014 S	10/2009	Andre et al.
D475,063 S	* 5/2003	Horie ..... D14/486	D602,015 S	10/2009	Andre et al.
D480,721 S	10/2003	Hsieh	D602,016 S	10/2009	Andre et al.
D483,021 S	12/2003	Shih	D602,017 S	10/2009	Andre et al.
D483,032 S	12/2003	Bertrand et al.	D602,036 S	* 10/2009	Kasuya et al. .... D14/486
D483,037 S	12/2003	Whitehorn et al.	D602,486 S	10/2009	Andre et al.
D483,359 S	12/2003	Lin et al.	D602,488 S	10/2009	Jiang et al.
			D604,290 S	11/2009	Andre et al.

# US D682,262 S

				FOREIGN PATENT DOCUMENTS		
D604,291 S	11/2009	Andre et al.				
D604,292 S	11/2009	Andre et al.				
D604,293 S	11/2009	Andre et al.		CA	72548	5/1993
D604,297 S	11/2009	Andre et al.		CA	89155	3/2000
D604,307 S *	11/2009	Stiller et al. ....	D14/486	CA	101263	1/2004
D604,733 S	11/2009	Andre et al.		CM	301499241 S	3/2011
D606,129 S	12/2009	Ben-Moshe		CN	200430011774.1	6/2005
D606,988 S	12/2009	Andre et al.		CN	200630030574.X	8/2007
D606,989 S	12/2009	Andre et al.		CN	200630174414.2	12/2007
D606,991 S	12/2009	Liu et al.		CN	200730008464.8	3/2008
D606,992 S	12/2009	Liu et al.		CN	200730058820.7	6/2008
D607,428 S	1/2010	Kim et al.		CN	200930166104.X	2/2010
D609,705 S	2/2010	Andre et al.		CN	200930166516.3	5/2010
D609,715 S	2/2010	Chaudhri		CN	200930166757.8	6/2010
7,658,675 B2	2/2010	Hotta		DE	40104198-0001	9/2001
D611,045 S	3/2010	Andre et al.		DE	40301867-0001	9/2003
D611,469 S	3/2010	Andre et al.		DE	40705936-0001	5/2008
7,688,574 B2	3/2010	Zadesky et al.		EM	00048061-0001	8/2003
D613,300 S	4/2010	Chaudhri		EM	00046198-0001	11/2003
D613,735 S	4/2010	Andre et al.		EM	000181607-0001	8/2004
D613,736 S	4/2010	Andre et al.		EM	000317490-0001	5/2005
D614,636 S *	4/2010	Comertoglu ....	D14/486	EM	000328265-0001	6/2005
D614,637 S *	4/2010	Mizulo ....	D14/486	EM	000257621-0004	7/2005
D615,083 S	5/2010	Andre et al.		EM	000375191-0001	9/2005
D615,554 S	5/2010	Andre et al.		EM	000401898-0003	11/2005
D616,893 S *	6/2010	Ehrler et al. ....	D14/486	EM	000493721-0002	5/2006
D620,004 S	7/2010	Andre et al.		EM	000569157-0005	9/2006
D620,947 S *	8/2010	Loken ....	D14/485	EM	000614565-0001	12/2006
D621,825 S	8/2010	Andre et al.		EM	00066789-0001	3/2007
D622,718 S	8/2010	Andre et al.		EM	000718770-0007	6/2007
D622,719 S	8/2010	Andre et al.		EM	000748280-0001	8/2007
D622,720 S	8/2010	Andre et al.		EM	000748280-0006	8/2007
D622,720 S	8/2010	Andre et al.		EM	000767959-0001	8/2007
D622,731 S *	8/2010	Krum et al. ....	D14/486	EM	000748314-0001	10/2007
D623,193 S *	9/2010	Cameron et al. ....	D14/486	EM	000891809-0003	4/2008
D624,072 S	9/2010	Andre et al.		EM	000939731-0001	6/2008
D624,536 S	9/2010	Andre et al.		EM	001005839-0007	3/2009
D624,914 S	10/2010	Wang		EM	001098149-0001	4/2009
D624,932 S	10/2010	Chaudhri		EM	001098149-0005	4/2009
D625,307 S	10/2010	Cheng		EM	001143010-0005	7/2009
D625,322 S *	10/2010	Guntaur et al. ....	D14/486	EM	001677816-0002	4/2010
D627,343 S	11/2010	Andre et al.		EM	001694712-0001	4/2010
D627,776 S *	11/2010	Seong ....	D14/341	EM	001214290-0003	6/2010
D627,777 S	11/2010	Akana et al.		EM	001222905-0001	10/2010
D627,778 S	11/2010	Akana et al.		EM	001222905-0002	10/2010
D629,413 S *	12/2010	Sriver ....	D14/486	EM	001772252-0001	10/2010
D629,417 S *	12/2010	Weir et al. ....	D14/486	EM	001000152-0001	11/2010
D629,418 S *	12/2010	Brown et al. ....	D14/486	EM	001140115-0001	11/2010
D629,799 S	12/2010	Andre et al.		EP	0 701 220 B1	7/2001
D630,207 S	1/2011	Seong		ES	10147763	3/2001
D630,630 S	1/2011	Andre et al.		ES	D0505712-01	4/2008
D630,648 S *	1/2011	Tokunaga et al. ....	D14/487	FI	4897	7/1980
D633,908 S	3/2011	Akana et al.		FI	20030256	4/2004
D633,920 S *	3/2011	Luke et al. ....	D14/488	FR	990052-001	5/1999
D634,319 S	3/2011	Andre et al.		FR	985598-001	10/2001
D634,742 S	3/2011	Andre et al.		FR	985598-002	10/2001
D635,148 S *	3/2011	Loken ....	D14/486	FR	985598-003	10/2001
D635,540 S	4/2011	Kim et al.		FR	985598-004	10/2001
D635,952 S	4/2011	Park et al.		GB	1042780	12/1986
D636,390 S	4/2011	Andre et al.		GB	1058720	11/1989
D636,769 S *	4/2011	Wood et al. ....	D14/341	GB	1058721	11/1989
D636,770 S *	4/2011	Li ....	D14/341	GB	2030050	10/1992
D637,596 S *	5/2011	Akana et al. ....	D14/341	GB	2033245	8/1993
D638,412 S *	5/2011	Lee ....	D14/250	GB	2101448	10/2000
D638,835 S	5/2011	Akana et al.		GB	2103809	2/2001
7,954,066 B2	5/2011	Simister et al.		GB	3009998	1/2003
2003/0125079 A1	7/2003	Park et al.		GB	3010002	1/2003
2003/0125094 A1	7/2003	Hyun et al.		GB	3014024	8/2003
2003/0125959 A1	7/2003	Palmquist		GB	3022447	10/2005
2003/0184525 A1	10/2003	Tsai		GB	1695105 A	11/2005
2003/0206202 A1	11/2003	Moriya		JP	61-69284	4/1986
2004/0021676 A1	2/2004	Chen et al.		JP	4-370868	12/1992
2004/0041504 A1	3/2004	Ozolins et al.		JP	886431	12/1993
2005/0156902 A1	7/2005	McPherson et al.		JP	887388	12/1993
2008/0004083 A1	1/2008	Ohki et al.		JP	6-102341	4/1994
2009/0247244 A1	10/2009	Mittleman et al.		JP	000921403	3/1995
2010/0122162 A1 *	5/2010	Terada et al. ....	715/702	JP	949744	3/1996
				JP	953136	5/1996
				JP	9-325180	12/1997
				JP	001009317	5/1998

JP	11-112918	4/1999
JP	11-126149	5/1999
JP	11-289169	10/1999
JP	1056385	12/1999
JP	2000-163031	6/2000
JP	2000-322495	11/2000
JP	2001-22471	1/2001
JP	2001-22704	1/2001
JP	D1098145	1/2001
JP	001104685	3/2001
JP	D1124750	10/2001
JP	D1133939	2/2002
JP	001142127	5/2002
JP	D1143615	6/2002
JP	D1145748	7/2002
JP	2002-254614	9/2002
JP	D155168	10/2002
JP	D1155176	10/2002
JP	D1159881	12/2002
JP	D1178470	7/2003
JP	001188041	10/2003
JP	2003-330613	11/2003
JP	D1194485	1/2004
JP	D1204221	5/2004
JP	2004-290256	10/2004
JP	00123588	4/2005
JP	001241638	6/2005
JP	D1241383	6/2005
JP	D1247215	8/2005
JP	D1250487	9/2005
JP	D1263649	2/2006
JP	00128315	9/2006
JP	D1285057	10/2006
JP	D1295003	2/2007
JP	D1302929	6/2007
JP	D1325539	3/2008
JP	001351273	2/2009
KR	30-0037851	8/1982
KR	30-0109896	11/1990
KR	30-0110034	11/1990
KR	30-0213519	4/1998
KR	30-0222985-1	2/1999
KR	30-0237641	6/1999
KR	30-0241312	7/1999
KR	30-0243584	8/1999
KR	30-0288858	1/2002
KR	30-0290725	1/2002
KR	30-0291915	2/2002
KR	30-0294002	3/2002
KR	30-0297741	5/2002
KR	30-0304213	8/2002
KR	30-0307008	9/2002
KR	30-0307235	9/2002
KR	30-0307307	9/2002
KR	30-0309692	10/2002
KR	30-0312151	11/2002
KR	30-0312152	11/2002
KR	30-0327126	6/2003
KR	30-0330831	8/2003
KR	30-0332851	9/2003
KR	30-0336260	10/2003
KR	30-0338781	11/2003
KR	2003-0088374	11/2003
KR	30-0338886	12/2003
KR	30-0326632-2	1/2004
KR	30-0296928	5/2005
KR	30-0398307	11/2005
KR	30-0394921-1	12/2005
KR	30-0418422-1	7/2006
KR	30-0418547	7/2006
KR	30-0422221	8/2006
KR	30-0422222	8/2006
KR	30-0424148	9/2006
KR	30-0441230	2/2007
KR	30-0452432	6/2007
KR	30-0452985	8/2007
KR	30-0529167	5/2009
KR	30-0533504	7/2009
KR	30-0546031	11/2009

KR	30-0598018	5/2011
KR	30-0598021	5/2011
SE	55044	10/1993
SE	2001/0343	9/2002
TW	584453	4/2004
TW	D106137	8/2005
TW	D137754	11/2010
WO	WO 00/74240 A1	12/2000
WO	WO 01/88679	11/2001
WO	WO2004/023272 A2	3/2004

OTHER PUBLICATIONS

HP Compaq Tablet PC TC1000, <http://www.tc-one-thousand.com>. Downloaded Apr. 20, 2010, 2 pages.

HP Compaq Tablet PC TC1000, <http://www.hardwarezone.com.au/reviews/view.php?cid=45&id=533&pg=2>. Downloaded Apr. 20, 2010, 1 page.

U.S. Appl. No. 29/350,879, Imram Chaudhri, “Animated Graphical User Interface for a Display Screen or Portion Thereof”, filed Nov. 24, 2009.

U.S. Appl. No. 29/354,606, “Graphical User Interface for a Display Screen or Portion Thereof”, filed Jan. 26, 2010, now abandoned.

U.S. Appl. No. 29/354,643, Anzures et al., “Graphical User Interface for a Display Screen or Portion Thereof”, filed Jan. 27, 2010.

U.S. Appl. No. 29/354,599, Akana et al., “Portable Display Device”, filed Jan. 26, 2010.

U.S. Appl. No. 29/353,311, Akana et al., “Portable Display Device”, filed Jan. 6, 2010.

Amazon, “Developing Tablet PC Applications—Charles River Media Programming,” (<http://www.amazon.co.uk/Developing-Tablet-Applications-Charles-Programming/dp/1584502525>), retrieved Jul. 20, 2011, 4 pages.

Arrington, M., TechCrunch.com, “CrunchPad: The Launch Prototype,” (<http://techcrunch.com/2009/06/03/crunchpad-the-launch-prototype/>), published Jun. 3, 2009, 17 pages.

Arrington, M., TechCrunch.com, “TechCrunch Tablet Update: Prototype B,” (<http://techcrunch.com/2009/01/19/techcrunch-tablet-update-prototype-b/>), published Jan. 19, 2009, 25 pages.

Association for Computing Machinery, The Open Video Project, “ACM CHI 1995—The Tablet Newspaper: A vision for the Future,” (<http://www.open-video.org/details.php?videoid=8315&surrogate=storyboard>), 3 pages (1994).

Aumente, J., American Journalism Review, “Panel Vision,” (<http://www.ajr.org/Article.asp?id=1257>), published Oct. 1994, 7 pages.

Axiotron, “Axiotron at Macworld Expo 2009,” (<http://www.axiotron.com/index.php?id=events>, retrieved Jun. 1, 2011), 4 pages.

Blickenstorfer, C., PenComputing Magazine, “Tablet PCs: HP Compaq Tablet PC TC1000,” ([http://pencomputing.com/frames/tpc\\_compaq.html](http://pencomputing.com/frames/tpc_compaq.html)), 3 pages (Dec. 2002).

Blickenstorfer, C., PenComputing Magazine, “Tablet PCs: Motion Computing M1200,” ([http://pencomputing.com/frames/tpc\\_motion1200.html](http://pencomputing.com/frames/tpc_motion1200.html)), 3 pages (Dec. 2002).

Blickenstorfer, C., PenComputing Magazine, “Tablet PCs: ViewSonic V1100,” ([http://pencomputing.com/frames/tpc\\_viewsonic.html](http://pencomputing.com/frames/tpc_viewsonic.html)), 3 pages (Dec. 2002).

Bookeen, “Cybook ePaper—the eBook reading device,” (<http://www.bookeen.com/ebook/ebook-reading-device.aspx>), retrieved Apr. 26, 2010, 2 pages.

Chi-atheneum, “Good Design 2003, An International Industrial and Graphic Design Competition,” (<http://www.chi-atheneum.org/gdesign/winners03.htm>), retrieved Sep. 23, 2011, 7 pages.

Chubb, D., Product-reviews.net, “Amtek’s iTablet T221: new to the tablet and UMPC scene,” (<http://www.product-reviews.net/2008/01/11/amteks-itablt-t221-new-to-the-tablet-and-umpc-scene/>), published Jan. 11, 2008, 4 pages.

Cnet, “HP Compaq Tablet PC TC1000 Review,” [http://reviews.cnet.com/tablet-pcs/hp-compaq-tablet-pc/4505-3126\\_7-20627295.html](http://reviews.cnet.com/tablet-pcs/hp-compaq-tablet-pc/4505-3126_7-20627295.html), published Nov. 6, 2002, 8 pages.

Coldewey, D., CrunchGear.com, “TechCrunch Tablet makes an early debut,” (<http://www.crunchgear.com/2009/04/09/crunchtablet-hits-the-net-a-little-early/>), published Apr. 9, 2009, 26 pages.

Computing History, “GRidPad 1910,” (<http://computinghistory.org.uk/det/6565/GRidPad-1910>), retrieved Sep. 12, 2011, 2 pages.

- Davies, C., Slashgear.com, "Are Dell planning a keyboard-less UMPC?," (<http://www.slashgear.com/are-dell-planning-a-keyboard-less-umpc-096130/>), published Jul. 9, 2007, 15 pages.
- Digibarn Computer Museum, "PenPoint tablet pen computer by GO Corporation," (<http://www.digibarn.com/collections/systems/go/index.html>), retrieved Jul. 18, 2011, 6 pages.
- DigiBarn Systems, "GRiDpad Pen Computer," (<http://www.digibarn.com/collections/systems/gridpad/index.html>), retrieved Sep. 23, 2011, 2 pages.
- Dunn, J., DigitalHomeThoughts.com, "Ultra-Portable Concept PC Shown at WinHEC 2005," (<http://www.digitalhomethoughts.com/news/show/27459/ultra-portable-concept-pc-shown-at-winhec-2005.html>), published Apr. 26, 2005, 4 pages.
- Edible Apple, "The first Apple Tablet . . . from 1979," (<http://www.edibleapple.com/the-first-apple-tablet-from-1979/>), published Nov. 23, 2009, 8 pages.
- Electronista, "LG/Prada phone revealed?," (<http://www.electronista.com/articles/06/12/20/lg.prada.phone.revealed/>), updated Dec. 20, 2006, 9 pages.
- Electrovaya, "Electrovaya Launches Scribbler® SC4000 Series Tablet PC," published Jan. 9, 2008, 2 pages.
- EngineerBoy, CleverDonkey.com, "2001: A Space Odyssey and the iPad (or is it tamPod?)," (<http://www.cleverdonkey.com/1499-2001a-space-odyssey-and-the-ipad-or-is-it-tampod/>), published Feb. 2, 2010, 5 pages.
- GadgetFolder, "iRex Digital Reader 800 with 8-inch touchscreen and wireless," (<http://www.gadgetfolder.com/irex-digital-reader-800-with-8-inch-touchs...>), published Aug. 9, 2009, 3 pages.
- Gizmodo, "Kurztest: JooJoo (Crunchpad)—riesiges Internet-Tablet," (<http://www.gizmodo.de/2009/12/09/kurztest-joojoo-crunchpad-riesiges-internet-tablet.html>), retrieved Sep. 26, 2011, 13 pages.
- Hagen, R., GadgetZone, "iHolic portable mediaspeler," (<http://www.gadgetzone.nl/nieuws.php?id=3191>), published Jan. 4, 2007, 3 pages.
- Jarrett, R. et al., Building Tablet PC Applications, pp. 38, Microsoft Press, Redmond, Washington, (2003).
- Kahney, L., Wired, "Apple's Newton Just Don't Drop," (<http://www.wired.com/gadgets/mac/commentary/cultofmac/2002/08/54580>), published Aug. 29, 2002, 2 pages.
- Lerg, A., T Online, "Billig-Tablet-Computer vom Grabbeltisch," ([http://digitalleben.t-online.de/tablet-pc-von-jay-tech-fuer-140-euro-bei-rossmann/id\\_43326132/index](http://digitalleben.t-online.de/tablet-pc-von-jay-tech-fuer-140-euro-bei-rossmann/id_43326132/index)), published Mar. 11, 2010, 2 pages.
- Loyola, R., MacWorld.com, "First Look: Axiotron Modbook Pro," (<http://www.macworld.com/article/137878/2009/01/mwvodcast86.html>), published Jan. 6, 2009, 2 pages.
- Martin, T., "The Tablet Newspaper: A Vision for the Future," Human Factors in Computing Systems, Chi '95 Conference Companion, pp. 425, Colorado, United States (May 1995).
- McCracken, H., PCWorld, "CES: Plastic Logic's Que E-Reader Revealed," ([http://www.pcworld.com/article/186224/ces\\_plastic\\_logics\\_que\\_ereader\\_revealed.html](http://www.pcworld.com/article/186224/ces_plastic_logics_que_ereader_revealed.html)), published Jan. 7, 2010, 1 page.
- Murph, D., Engadget, "BeBook Neo e-reader launches with WiFi and WACOM capabilities," (<http://www.engadget.com/2010/01/22/bebook-neo-e-reader-launches-with-wifi-and-wacom-capabilities/>), published Jan. 22, 2010, 2 pages.
- NewGadgets, "Mysteriöser Tablet-PC?," (<http://www.newgadgets.de/6072/mysteriöser-tablet-pc/>), published Nov. 10, 2009, 6 pages.
- NewLaunches, "LG Prada cell phones are truly iconic," ([http://www.newlaunches.com/archives/lg\\_prada\\_cell\\_phones\\_are\\_truly\\_iconic.php](http://www.newlaunches.com/archives/lg_prada_cell_phones_are_truly_iconic.php)), retrieved Sep. 12, 2011, 3 pages.
- NewLaunches, "LG Wears Prada," ([http://www.newlaunches.com/archives/lg\\_wears\\_prada.php](http://www.newlaunches.com/archives/lg_wears_prada.php)), retrieved Sep. 23, 2011, 2 pages.
- NotebookCheck, "Fujitsu-Siemens Stylistic ST5022," (<http://www.notebookcheck.com/typo3temp/pics/d675d29c1f.jpg>), retrieved Sep. 26, 2011, 1 page.
- PC Magazine, "HP Compaq Tablet PC TC1000," (<http://www.pcmag.com/article2/0,2817%20,939500,00.asp>), published Apr. 8, 2003, 3 pages.
- PCWorld, "The Best of CES 2010," ([http://www.pcworld.com/article/186511/another-excellet\\_ereader.html](http://www.pcworld.com/article/186511/another-excellet_ereader.html)), published Jan. 8, 2010, 1 page.
- RadioShack, "Motorola DEFY with MOTOBLUR Black," ([http://radioshackwireless.com/eCommerce/SpecialOffer.aspx?cid-25578\\_47f08265355e4a8a92dcd57eed6cbc69](http://radioshackwireless.com/eCommerce/SpecialOffer.aspx?cid-25578_47f08265355e4a8a92dcd57eed6cbc69)), 1 page.
- Samsung, "Samsung F700 is razendsnelle alleskunner voor mobiel breedband van Vodafone," ([http://www.samsung.com/nl/mobile/pressView.do?ptype=press&page=13&news\\_seq=22544](http://www.samsung.com/nl/mobile/pressView.do?ptype=press&page=13&news_seq=22544)), published May 25, 2008, 2 pages.
- Samsung, "Samsung Unveils Revolutionary Ultra Smart F700," ([http://www.samsung.com/us/news/newsRead.do?news\\_seq=3516](http://www.samsung.com/us/news/newsRead.do?news_seq=3516)), published Nov. 23, 2009, 2 pages.
- Shanghaiist, "ZOMG! Maker of Chinese iPad clone P88 to sue Apple for cloning its tablet!," (<http://shanghaiist.com/2010/01/29/88-chinese-ipad-clone-sues-apple.php>), published Jan. 29, 2010, 5 pages.
- Sierra, LaptopsArena, "Amtek Releases the iTablet T221 Tablet PC, Laptops Arena," (<http://www.laptopsarena.com/amtek-releases-the-itablt-t221-tablet-pc/>), published Dec. 22, 2007, 5 pages.
- Smith, C., HuffPost Tech, "History of Tablet PCs (Photos): A Pictorial Timeline Of Tablets, From RAND To The iPad," ([http://www.huffingtonpost.com/2010/04/15/history-tablet-pc-photos\\_n\\_538806.html](http://www.huffingtonpost.com/2010/04/15/history-tablet-pc-photos_n_538806.html)), published Apr. 15, 2010, 5 pages.
- SZE, iTechNews Net, "Amtek has five iTablets for the Computex 2010," (<http://www.itechnews.net/2010/05/27/amtek-has-five-itablt-for-the-computex-2010/>), retrieved Jun. 3, 2011, 13 pages.
- Topolsky, J. Engadget, "Amtek intros the iTablet T221 UMPC," (<http://www.engadget.com/2007/12/18/amtek-intros-the-itablt-t221-umpc/>), published Dec. 18, 2007, 3 pages.
- Van Reeth, J., "Vantage is showing its colours!," *Home automation journal* 11:1-8, Vantage Emea, Belgium (Jun. 2003).
- Wikipedia, "Axiotron Modbook," ([http://en.wikipedia.org/wiki/Axiotron\\_Modbook](http://en.wikipedia.org/wiki/Axiotron_Modbook)), updated Apr. 18, 2011, 4 pages.
- Wikipedia, "Datei:Modbook pro.jpg," ([http://de.wikipedia.org/wiki/Datei:Modbook\\_pro.jpg](http://de.wikipedia.org/wiki/Datei:Modbook_pro.jpg)), taken Jan. 9, 2009, 4 pages.
- Wikipedia, "Datei:VIA Tablet PC Reference Design.jpg," ([http://de.wikipedia.org/wiki/Datei:VIA\\_Tablet\\_PC\\_Reference\\_Design.jpg](http://de.wikipedia.org/wiki/Datei:VIA_Tablet_PC_Reference_Design.jpg)), published Nov. 16, 2007, 3 pages.
- Wikipedia, "Dynabook," (<http://de.wikipedia.org/wiki/Dynabook>), updated Apr. 2, 2011, 2 pages.
- Wikipedia, "Etch A Sketch," ([http://en.wikipedia.org/wiki/Etch\\_a\\_sketch](http://en.wikipedia.org/wiki/Etch_a_sketch)), last modified Aug. 24, 2011, 4 pages.
- Wikipedia, "MessagePad," (<http://en.wikipedia.org/wiki/MessagePad>), retrieved Sep. 12, 2011, 10 pages.
- Wikipedia, "Tablet-Computer," (<http://de.wikipedia.org/wiki/Tablet-Computer>), updated Apr. 7, 2011, 3 pages.
- Wikipedia, "Tablet-PC," (<http://de.wikipedia.org/wiki/Tablet-PC>), retrieved Apr. 14, 2011, 2 pages.
- ZDNet, "Viewsonic V1100," (<http://www.zdnet.nl/reviews/24712/viewsonic-v1100/>), published Feb. 17, 2003, 9 pages.
- Ziegler, C., Engadget, "The LG KE580: touchable chocolate," (<http://mobile.engadget.com/2006/12/15/the-lg-ke850-touchable-chocolate/>), published Dec. 15, 2006, 5 pages.
- Request for declaration of invalidity of design No. 001222905-0002 registered on behalf of Apple Inc., dated May 5, 2011, 7 pages.
- Search Report for ROC (Taiwan) Design Patent Application No. 099303075 (English Translation) completed Jan. 21, 2011.
- Search Report for ROC (Taiwan) Design Patent Application No. 099303076 and English Translation, completed May 25, 2011.
- Search Report for ROC (Taiwan) Design Patent Application No. 099303077 and English Translation, completed May 25, 2011.
- Request for Re-examination of Australian Design Registration Nos. 337931, 337833, 337832, 3 pages.
- Rothman, W., Gizmodo, "HP's Windows 7 Slate Device Revealed by Steve Ballmer," (<http://gizmodo.com/5442200/hps-windows-7-slate-device-revealed-by-steve-ballmer>), published Jan. 6, 2010, 8 pages.
- Smith, T., RegHardware.com, "First fondleslab found in 1970s kids TV sci-fi gem," ([http://www.reghardware.com/2011/02/07/apple\\_ipad\\_tomorrow\\_people/print.html](http://www.reghardware.com/2011/02/07/apple_ipad_tomorrow_people/print.html)), published Feb. 7, 2011, 3 pages.

- The Internet Movie Database, “The Tomorrow People,” (<http://www.imdb.com/title/tt0069647/>), retrieved Oct. 11, 2011, 5 pages.
- 01net, “Fiche Technique Philips SPH8008,” (<http://www.01net.com/fiche-produit/fiche-technique-7075/cadres-numeriques-philips-sph8008/>), retrieved Nov. 21, 2011, 7 pages.
- 01net, “Fiche Technique Philips SPH8008,” (<http://www.01net.com/images/produit/full/philips-sph8008-1.jpg>), retrieved Nov. 21, 2011, 1 page.
- 01net, “Fiche Technique Philips SPH8008,” (<http://www.01net.com/images/produit/full/philips-sph8008-2.jpg>), retrieved Nov. 21, 2011, 1 page.
- 01net, “Fiche Technique Philips SPH8008,” (<http://www.01net.com/images/produit/full/philips-sph8008-3.jpg>), retrieved Nov. 21, 2011, 1 page.
- 01net, “Fiche Technique Philips SPH8008,” (<http://www.01net.com/images/produit/full/philips-sph8008-4.jpg>), retrieved Nov. 21, 2011, 1 page.
- Amazon, “STL Deutschland Digitaler Bilderrahmen DF-711 B,” (<http://www.amazon.de/STL-Deutschland-Digitaler-Biderrahmen-DF-711/dp/B002D5K6YK>), retrieved Nov. 21, 2011, 4 pages.
- Apple Computer, Inc., “Apple Cinema Display,” 1999, 21 pages.
- Apple Computer, Inc., “Setting Up Your Studio Display 15-Inch flat panel monitor,” 1999, 37 pages.
- Apple Inc., “iPod touch (2nd generation),” (<http://support.apple.com/kb/ht1353>), retrieved Nov. 21, 2011, 1 page.
- Arrington, M., TechCrunch, “We Want A Dead Simple Web Tablet for \$200. Help Us Build It.,” (<http://techcrunch.com/2008/07/21/we-want-a-dead-simple-web-tablet-help-us-build-it/>), published Jul. 21, 2008, 4 pages.
- Ballmer, S., Spiegel Online, “Bill Gates, Tablet PC: “Mira” war 2002 die große Vision des Microsoft-Gründers—kam aber wohl zu früh für den Markt,” product announced 2002, 4 pages.
- Ballmer, S., Spiegel Online, “Tablet PC,” (<http://www.spiegel.de/netzwelt/gadgets/0,1518,670427,00.html>), published Jan. 6, 2010, 6 pages.
- Bower, G, MacPredictions, “iPod Tablet [Mockup],” (<http://www.macpredictions.com/2009/04/ipod-tablet-mockup.html>), published Apr. 18, 2009, 8 pages.
- Cashmore, P., Mashable, “Apple Tablet: Ultimate Gallery of Concept Designs and Prototypes,” (<http://mashable.com/2009/08/07/apple-tablet-gallery/>), published Aug. 7, 2009, 28 pages.
- Cesweb, “MPIO,” ([http://www.cesweb.org/shared\\_files/innovations/innovations\\_2003/1616/mainphoto1616.jpg](http://www.cesweb.org/shared_files/innovations/innovations_2003/1616/mainphoto1616.jpg)), retrieved Feb. 24, 2012, 1 page.
- Chip Online, “VIA: Zwitter-PC für Schöngeister,” ([http://www.chip.de/ii/202812385\\_78f68afa8e.jpg](http://www.chip.de/ii/202812385_78f68afa8e.jpg)), published May 8, 2002, 1 page.
- Chip Online, “VIA: Zwitter-PC für Schoöngeister,” ([http://www.chip.de/news/VIA-Zwitter-PC-fuer-Schoengeister\\_34204096.html](http://www.chip.de/news/VIA-Zwitter-PC-fuer-Schoengeister_34204096.html)), published May 8, 2002, 3 pages.
- Cnet, “Sony Clie,” (<http://www.reviews.cnet.com/sc/30733801-2-440-overview-1.gif>), retrieved Feb. 26, 2012, 1 page.
- Computer Museum, “Toshiba Dynapad T100X (1992),” (<http://www.computermuseum.li/Testpage/Toshiba-Dynapad-1992.htm>), product announced Nov. 1992, 1 page.
- De Herrera, C., tabletpctalk, “Tatung Tablet PC Picture,” (<http://www.tabletpctalk.com/pictures/tatung.shtml>), 2003, 3 pages.
- Dg2000, Flickr, “Sony CLIE PEG-TH55/E1,” (<http://www.flickr.com/photos/derekwilson/1323901259/>), photo taken Sep. 4, 2007, 2 pages.
- Digibarn Computer Museum, “Image of the GO tablet,” (<http://www.digibarn.com/collections/systems/go/DSC02917.JPG>), retrieved Feb. 24, 2012, 1 page.
- Digibarn Computer Museum, “Image of the GO tablet,” (<http://www.digibarn.com/collections/systems/go/DSC02942.JPG>), retrieved Feb. 24, 2012, 1 page.
- Falcone, J., Cnet, “Digitalway MPIO-FL100 (128 MB),” ([http://www.reviews.cnet.com/mp3-players/digital-mpio-fl100-128/4505-6490\\_7-20763548.html](http://www.reviews.cnet.com/mp3-players/digital-mpio-fl100-128/4505-6490_7-20763548.html)), published Apr 18, 2003, 8 pages.
- Focus Online, “Rollei DF8 DVB-T,” ([http://www.focus.de/digital/foto/rollei-df8-dvb-t-fernsehen-im-biderrahmen\\_did\\_27152.html](http://www.focus.de/digital/foto/rollei-df8-dvb-t-fernsehen-im-biderrahmen_did_27152.html)), published Feb. 18, 2010, 3 pages.
- Foto-Branche.de, “Kodak EasyShare S730: Digitaler Bilderrahmen mit integriertem Akku,” (<http://www.foto-branche.de/news/singleview/browse/2/article/kodak-easyshare-s730-digitaler-biderrahmen-mit-integruertem-akku/2.html>), published Jul. 13, 2009, 2 pages.
- Fotofabrikas, “AgfaPhoto AF 5087 MS8,” ([http://www.fotofabrikas.lt/data/images/catalog\\_pics/n\\_preview/Skaitmeniniai%20remeliai%20AgfaPhoto%20AF%205087%20MS%208%20skaitmeninis%20r%20melis\\_01.jpg](http://www.fotofabrikas.lt/data/images/catalog_pics/n_preview/Skaitmeniniai%20remeliai%20AgfaPhoto%20AF%205087%20MS%208%20skaitmeninis%20r%20melis_01.jpg)), retrieved Nov. 22, 2011, 1 page.
- Fotofabrikasm “AgfaPhoto AF 5087 MS 8,” (<http://www.fotofabrikas.lt/items/Digital-Frames/Digital-photo-frames/263ee4.2-AgfaPhoto-AF-5087-MS-8.html>), retrieved Nov. 21, 2011, 5 pages.
- Funamizu, M., Petitinvention, “(iPod Touch + iMac + Macbook Air)/3,” (<http://www.petit invention.wordpress.com/2008/05/03/ipod-touch-imac-macbook-air-3/>), published May 3, 2008, 4 pages.
- Gilder, G. “Digital Dark Horse—Newspapers,” *Forbes* ASAP, published Oct. 25, 1993, 2 pages.
- Gollwitzer, M., et al., Chip Online, “Microsofts CeBIT-Neuheiten 2002,” ([http://www.chip.de/artikel/c\\_druckansicht\\_9668117.html](http://www.chip.de/artikel/c_druckansicht_9668117.html)), published Mar. 13, 2002, 5 pages.
- Heimi, “MPIO,” (<http://www.heimi.net/FlashPlayer/MPIOFL100/pics/01a%20FL100Backlight.jpg>), retrieved Feb. 24, 2012, 1 page.
- Heimkino Markt, “CeBIT 2004 News: FLATRON Tablet—TFT-Monitor von LG mit Stifteingabemöglichkeit/Ideal für Industrie- und Designanwendungen,” (<http://www.heimkinomarkt.de/News/643/LG/CeBIT%202004%20News%20FLATRON%20TabletTFT%20Monitor%20von/>), published Mar. 25, 2004, 3 pages.
- Justia, “*Apple v. Samsung Electronics Co. Ltd.* et al, Filing: 427 Attachment: 42,” (<http://docs.justia.com/cases/federal/district-courts/california/candce/5:2011cv01846/239768/427/42.html>), dated Nov. 28, 2011, 3 pages.
- Justia, “*Apple v. Samsung Electronics Co. Ltd.* et al, Filing: 427 Attachment: 43,” (<http://docs.justia.com/cases/federal/district-courts/california/candce/5:2011cv01846/239768/427/43.html>), dated Nov. 28, 2011, 3 pages.
- Justia, “*Apple v. Samsung Electronics Co. Ltd.* et al, Filing: 427 Attachment: 44,” (<http://docs.justia.com/cases/federal/district-courts/california/candce/5:2011cv01846/239768/427/44.html>), dated Nov. 28, 2011, 3 pages.
- Justia, “*Apple v. Samsung Electronics Co. Ltd.* et al., Filing: 166 Attachment: 10,” (<http://docs.justia.com/cases/federal/district-courts/california/candce/5:2011cv01846/239768/166/10.html>), dated Aug. 22, 2011, 2 pages.
- Justia, “*Apple v. Samsung Electronics Co. Ltd.* et al., Filing: 166 Attachment: 11,” (<http://docs.justia.com/cases/federal/district-courts/california/candce/5:2011cv01846/239768/166/11.html>), dated Aug. 22, 2011, 2 pages.
- Justia, “*Apple v. Samsung Electronics Co. Ltd.* et al., Filing: 166 Attachment: 14,” (<http://docs.justia.com/cases/federal/district-courts/california/candce/5:2011cv01846/239768/166/14.html>), dated Aug. 22, 2011, 2 pages.
- Justia, “*Apple v. Samsung Electronics Co. Ltd.* et al. Filing: 166 Attachment: 15,” (<http://docs.justia.com/cases/federal/district-courts/california/candce/5:2011cv01846/2397681166/15.html>), dated Aug. 22, 2011, 2 pages.
- Justia, “*Apple v. Samsung Electronics Co. Ltd.* et al., Filing: 166 Attachment: 16,” (<http://docs.justia.com/cases/federal/district-courts/california/candce/5:2011cv01846/239768/166/16.html>), dated Aug. 22, 2011, 2 pages.
- Justia, “*Apple v. Samsung Electronics Co. Ltd.* et al., Filing: 166 Attachment: 9,” (<http://docs.justia.com/cases/federal/district-courts/california/candce/5:2011cv01846/239768/166/9.html>), dated Aug. 22, 2011, 2 pages.
- Justia, “*Apple v. Samsung Electronics Co. Ltd.* et al., Filing: 456 Attachment: 5,” (<http://docs.justia.com/cases/federal/district-courts/california/candce/5:2011cv01846/239768/456/5.html>), dated Dec. 7, 2011, 3 pages.
- Justia, “*Apple v. Samsung Electronics Co. Ltd.* et al., Filing: 456 Attachment: 6,” (<http://docs.justia.com/cases/federal/district-courts/california/candce/5:2011cv01846/239768/456/6.html>), dated Dec. 7, 2011, 3 pages.

- Justia, "Apple v. Samsung Electronics Co. Ltd. et al., Filing: 456 Attachment: 7," (<http://docs.justia.com/cases/federaldistrict-courts/california/candce/5:2011cv01846/239768/456/7.html>), dated Dec. 7, 2011, 3 pages.
- Kahney, L., Cult of Mac, "Mac Air Tablet Mockup From Isamu Sanada," (<http://www.cultofmac.com/1952/mac-air-tablet-mockup-from-isamu-sanada/>), published May 6, 2008, 13 pages.
- KingVision, "Digital Photo Frame," ([http://www.sz-kingvision.com/product.php?type\\_id=1&weblan=e](http://www.sz-kingvision.com/product.php?type_id=1&weblan=e)), retrieved Nov. 21, 2011, 2 pages.
- KingVision, "DPF-1902," ([http://www.sz-kingvision.com/product\\_disp.php?productid=24&weblan=e](http://www.sz-kingvision.com/product_disp.php?productid=24&weblan=e)), retrieved Nov. 21, 2011, 3 pages.
- Kowalski, M., "Review: Kodak EasyShare S730," Digital Picture Frame Review, (<http://www.digitalpictureframereview.com/2009/07/review-kodak-easyshare-s730>), published Jul. 17, 2009, 14 pages.
- Lazar, L., Cult of Mac, "Mac Pad Mock Up," (<http://www.cultofmac.com/4921/mac-pad-mock-up/>), published Nov. 19, 2008, 12 pages.
- Long, B., Macworld, "PL500 LCD Pen Tablet System," (<http://images.macworld.com/images/legacy/2001/02/images/content/wacom.gif>), published Feb. 1, 2001, 1 page.
- Long, B., Macworld, "PL500 LCD Pen Tablet System," (<http://www.macworld.com/article/1938/2001/02/wacomtablet.html>), Feb. 1, 2001, 1 page.
- Markoff, J., "A Media Pioneer's Quest: Portable Electronic Newspapers," The New York Times, published Jun. 28, 1992, p. 11.
- Microsoft, "Bill Gates Highlights the Magic of Consumer Software And the Coming Digital Decade at Consumer Electronics Show," (<http://www.microsoft.com/presspass/press/2002/jan02/01-07ces2002keynotepr.msp>), published Jan. 7, 2002, 3 pages.
- Monitor4u, "Flatron L1530TM," (<http://www.monitor4u.co.kr/review/review4u/content.asp?idx=580&leftcode=16>), published Mar. 17, 2004, 7 pages.
- My Burmese Blog, "Apple Touch Screen Netbook Prototypes Hit The Web," (<http://www.htootayzar.com/myblog/2009/03/apple-touch-screen-netbook-prototypes-hit-the-web/>), published Mar. 12, 2009, 10 pages.
- Netzwelt, "Rollei DF8 DVB-T," (<http://www.netzwelt.de/news/81537-rollei-df8-dvb-t-test-digitaler-bilderrahmen-mini-fernseher.html>), retrieved Nov. 21, 2011, 10 pages.
- Old Computers, "Toshiba T100-X Dynapad," (<http://www.old-computers.com/museum/computer.asp?st=1&c=801>), product released 1993, 2 pages.
- Oullette, D., "Dynapad weighs in at just 3.3 pound," Info World, vol. 15, Aug. 2, 1993, 2 pages.
- PDA Museum, "Sony Clie," ([http://www.pdamuseum.com/sony\\_clie/clie\\_pics/th55j2.jpg](http://www.pdamuseum.com/sony_clie/clie_pics/th55j2.jpg)), retrieved Feb. 26, 2012, 1 page.
- Presstime, "Life After Viewtron? Enter the E-Paper," Presstime, published Aug. 1993, p. 18-19.
- Samsung, "SAMSUNG Introduces UltraThin Touch of Color Photo Frame," ([http://www.samsung.com/us/news/newsPreviewRead.do?news\\_seq=13462](http://www.samsung.com/us/news/newsPreviewRead.do?news_seq=13462)), published May 23, 2009, 2 pages.
- Samsung, "Samsung's Digital Photo Frames," ([http://www.samsung.com/hk\\_en/consumer/detail/productPreviewRead.do?model\\_cd=LP08IPLSB/XK&group=photography&type=photo-frame&subtype=photo-frame](http://www.samsung.com/hk_en/consumer/detail/productPreviewRead.do?model_cd=LP08IPLSB/XK&group=photography&type=photo-frame&subtype=photo-frame)), retrieved Nov. 21, 2011, 4 pages.
- Savov, V., Engadget, "NVIDIA Tegra tablet prototype hands-on," (<http://www.engadget.com/2009/11/27/nvidia-tegra-tablet-prototype-hands-on/>), published Nov. 27, 2009, 5 pages.
- Savov, V., Engadget, "NVIDIA Tegra tablet prototype hands-on," (<http://www.engadget.com/photos/nvidia-tegra-tablet-prototype/#2485983>), published Nov. 27, 2009, 2 pages.
- Savov, V., Engadget, "NVIDIA Tegra tablet prototype hands-on," (<http://www.engadget.com/photos/nvidia-tegra-tablet-prototype/#2485984>), published Nov. 27, 2009, 2 pages.
- Savov, V., Engadget, "NVIDIA Tegra tablet prototype hands-on," (<http://www.engadget.com/photos/nvidia-tegra-tablet-prototype/#2485985>), published Nov. 27, 2009, 2 pages.
- Savov, V., Engadget, "NVIDIA Tegra tablet prototype hands-on," (<http://www.engadget.com/photos/nvidia-tegra-tablet-prototype/#2485986>), published Nov. 27, 2009, 2 pages.
- Savov, V., Engadget, "NVIDIA Tegra tablet prototype hands-on," (<http://www.engadget.com/photos/nvidia-tegra-tablet-prototype/#2485987>), published Nov. 27, 2009, 2 pages.
- Savov, V., Engadget, "NVIDIA Tegra tablet prototype hands-on," (<http://www.engadget.com/photos/nvidia-tegra-tablet-prototype/#2485988>), published Nov. 27, 2009, 2 pages.
- Savov, V., Engadget, "NVIDIA Tegra tablet prototype hands-on," (<http://www.engadget.com/photos/nvidia-tegra-tablet-prototype/#2485989>), published Nov. 27, 2009, 2 pages.
- Savov, V., Engadget, "NVIDIA Tegra tablet prototype hands-on," (<http://www.engadget.com/photos/nvidia-tegra-tablet-prototype/#2485990>), published Nov. 27, 2009, 2 pages.
- Savov, V., Engadget, "NVIDIA Tegra tablet prototype hands-on," (<http://www.engadget.com/photos/nvidia-tegra-tablet-prototype/#2485991>), published Nov. 27, 2009, 2 pages.
- Savov, V., Engadget, "NVIDIA Tegra tablet prototype hands-on," (<http://www.engadget.com/photos/nvidia-tegra-tablet-prototype/#2485992>), published Nov. 27, 2009, 2 pages.
- Schulze, S. and Gratz, I., "1999 | Studio Display," in Apple Design, pp. 144-145, Hatje Cantz Verlag, Ostfildern, Germany (2011).
- Scrapin\_frame, s10forum, "fs: 2 lg flatron tablet monitors," (<http://www.s10forum.com/forum/f296/fs-2-lg-flatron-tablet-monitors-483210/>), published Nov. 27, 2011, 5 pages.
- Softgate, "Fujifilm FinePix Real 3D V1," ([http://www.softgate.ch/ger\\_details\\_31383/Fujifilm\\_FinePix\\_Real\\_3D\\_V1\\_Viewer\\_8\\_TFT.html](http://www.softgate.ch/ger_details_31383/Fujifilm_FinePix_Real_3D_V1_Viewer_8_TFT.html)), published Apr. 16, 2010, 2 pages.
- Sony, "The Sony CLIE PEG-TH55 heralds The Next Generation Of Digital Organisers," (<http://www.dpnw.com/595.html>), published Feb. 13, 2004, 2 pages.
- Tatung, "Comdex Fall 2003 Tatung Booth# 10248," (<http://www.tatung.com/en/news/comdex2003.htm>), published Nov. 17, 2003, 2 pages.
- Testberichte.de, "Fuji FinePix REAL 3D V1," (<http://www.testberichte.de/p/philips-tests/digital-photoframe-sph8008-testbericht.html>), retrieved Nov. 21, 2011, 3 pages.
- Testberichte.de, "Philips Digital PhotoFrame SPH8008," (<http://www.testberichte.de/p/philips-tests/digital-photoframe-sph8008-testbericht.html>), retrieved Nov. 21, 2011, 4 pages.
- Toshiba, "Dynapad T100X," product announced Nov. 1992, 2 pages.
- Touch User Guide, "What will the new Apple Tablet look like? Apple tablet images leaked?," (<http://www.touchuserguide.com/2009/07/29/what-will-the-new-apple-tablet-look-like/>), published Jul. 29, 2009, 29 pages.
- Toxel.com, "12 Cool Apple Tablet Concepts," (<http://www.toxel.com/tech/2009/08/31/12-cool-apple-tablet-concepts/>), published Aug. 31, 2009, 16 pages.
- Verkehrsrundschau, "Details zum Digitalen Bilderrahmen," ([http://www.verkehrsrundschau.de/fotowettbewerb-mein-tag-der-logistik-835123.html?\\_apg=2](http://www.verkehrsrundschau.de/fotowettbewerb-mein-tag-der-logistik-835123.html?_apg=2)), published Apr. 27, 2009, 1 page.
- Vilas-Boas, R., "Nokia I.D.," (<http://rdvb-designshowcase.blogspot.com/p/cheddar-1-2009.html>), retrieved Nov. 7, 2011, 6 pages.
- Wacom, "Company History, PL-500," (<http://wacom.jp/en/company/history/>), product released Jun. 2000, 1 page.
- Wikimedia, "MPIO," ([http://upload.wikimedia.org/wikipedia/commons/e/e9/M-Pio\\_FL100.jpg](http://upload.wikimedia.org/wikipedia/commons/e/e9/M-Pio_FL100.jpg)), retrieved Feb. 24, 2012, 1 page.
- Wiley, M., IGN, "MPIO FL100 Review," (<http://uk.ign.com/articles/2003/01/21/mpio-fl100-review>), published Jan. 21, 2003, 4 pages.
- Yatego Shopping, "Lenco Digitaler Bilderrahmen DF-911 B," (<http://www.yatego.com/index.htm?cl=spotshopping&popup=media&pid=4a13dOce891ff>), retrieved Nov. 21, 2011, 1 page.
- "A Day in the Life of InfoLink," Stanford University Libraries, published May 1, 2003.
- "The Oracle: The Personal Computer of the Year 2000," Stanford University Libraries.
- "The Organizer: The Personal Computer of the Year 2000," Stanford University Libraries.
- Aliexpress.com, "WACOM PL-500 15" LCD Tablet Mint," (<http://www.aliexpress.com/product-fm/430172068-WACOM-PL-500-15-LCD-Tablet-Mint-Worldwide-Free-Shipping-wholesalers.html>), accessed Nov. 14, 2011, 3 pages.

- Amazon.com, "Digitalway MPIO FL100 128 MB MP3 Player" (<http://www.amazon.com/Digitalway-MPIO-FL100-128-Player/dp/B00008V6NI>), accessed Nov. 17, 2011, 17 pages.
- Amazon.com, "Whirlpool Gold: GH7208XRS 2.0 cu. ft. Velos Speedcook Over the Range Microwave Oven," (<http://www.amazon.com/Whirlpool-Gold-GH7309XRS-Speedcook-Microwave/dp/B0000ZIPHM8>), accessed May 23, 2012, 5 pages.
- AndroidTabletFanatic.com, "16 Old-Skool Tablets Rocking it Before the iPad," (<http://www.androidtabletfanatic.com/android-tablet-news/16-old-skool-tablets-rocking-it-before-the-ipad/>), published May 16, 2011, 10 pages.
- Blandford, "Nokia N92 Preview," ([http://www.allaboutsymbian.com/features/item/Nokia+\\_N92\\_Preview.php](http://www.allaboutsymbian.com/features/item/Nokia+_N92_Preview.php)), published Nov. 23, 2005, 10 pages.
- Block, "Olympus @ CES Hands-on with the m:robe MR-500i and MR-100," Engadget.com, (<http://www.engadget.com/2005/01/10/olympus-ces-hands-on-with-the-m-robe-mr-500i-and-mr-100/>), published Jan. 10, 2005, 3 pages.
- Cell Phones.About.com, "More Pictures of the LG KG800," ([http://www.cellphones.about.com/library/b1-pi-lg\\_kg800](http://www.cellphones.about.com/library/b1-pi-lg_kg800)), accessed Feb. 13, 2012, 1 page.
- Clarke, "Newspad by Arthur C. Clarke from 2001: A Space Odyssey," (<http://www.technovelgy.com/ct/content.asp?Bnum=529>), published 1968, 3 pages.
- Computer.biz, "Tatung Tablet PC," ([http://www.computer.biz/tatung/Default.aspx?pagetype=ProductDetail&pdt\\_id=36&cid=3...](http://www.computer.biz/tatung/Default.aspx?pagetype=ProductDetail&pdt_id=36&cid=3...)), accessed Nov. 4, 2011, 3 pages.
- Flickr.com, "Apple Graphics Tablet" ([http://www.farm3.static.flickr.com/2691/4126733086\\_b24c987b0e\\_o.jpg](http://www.farm3.static.flickr.com/2691/4126733086_b24c987b0e_o.jpg)), accessed Nov. 15, 2011, 1 page.
- Fried, "Live-blogging Steve Ballmer," CNET, ([http://www.cnet.com/8301-341045\\_1-10426723-269.html?tag=mncol%3btxt](http://www.cnet.com/8301-341045_1-10426723-269.html?tag=mncol%3btxt)), published Jan. 6, 2010, 6 pages.
- Itbusiness.ca, "Microsoft Mire eHome Wireless Smart Display," ([http://www.itbusiness.ca/images/articles/Jun10/clip\\_image003\\_0087.jpg](http://www.itbusiness.ca/images/articles/Jun10/clip_image003_0087.jpg)), accessed Nov. 15, 2011, 1 page.
- iTechNews.net, "Samsung K3 MP3 Player," (<http://www.itechnews.net/2006/12/02/samsung-k3-mp3-player/>), published Dec. 2, 2006, 9 pages.
- Justia, "Apple v. Samsung Electronics Co. Ltd. et al., Filing: 943 Attachment: 5," (<http://docs.justia.com/cases/federal/district-courts/california/candce/5:2011cv01846/239768/943/5.html>), dated May 18, 2012, 2 pages.
- Knowyourmobile.com, "LG KG800 technical specifications," ([http://www.knowyourmobile.com/ig/igkg800chocolate/igkgreviews/137/ig\\_kg800\\_technical\\_specifications.html](http://www.knowyourmobile.com/ig/igkg800chocolate/igkgreviews/137/ig_kg800_technical_specifications.html)), published Mar. 9, 2007, 3 pages.
- McCracken, "The iPad. Of 2000. As Envisioned in 1988," Technologizer.com, (<http://www.technologizer.com/2010/05/14/the-ipad-of-2000-as-envisioned-in-1988/>), published May 14, 2010, 12 pages.
- Mel et al., "Tablet: Personal Computer in the Year 2000," *Communications of the ACM* 31:638-646, ACM (Jun. 1988).
- Mobilegazette.com, "Nokia N92" (<http://www.mobilegazette.com/nokia-n92-051102.htm>), published Nov. 2, 2005, 2 pages.
- Needleman, "Hands-on with the JooJoo," ([http://news.cnet.com/8301-19882\\_3-10410960-250.html](http://news.cnet.com/8301-19882_3-10410960-250.html)), CNET News, published Dec. 7, 2009, 31 pages.
- Newlaunches.com, "PIDION BM-200 sleek Windows CE PDA phone from Bluebird," ([http://www.newlaunches.com/archives/pidion\\_bm200\\_sleek\\_windows\\_ce\\_pda\\_phone\\_from\\_bluebird.php](http://www.newlaunches.com/archives/pidion_bm200_sleek_windows_ce_pda_phone_from_bluebird.php)), published Dec. 15, 2005, 3 pages.
- NYTimes.com, "iRiver U10 (1GB)," (<http://www.nytimes.com/technology/personaltech/music-players/iRiver-U10-1GB-/31432102.html>), published Feb. 12, 2012, 2 pages.
- Patel, "The HP Slate" (<http://www.engadget.com/2010/01/06/the-hp-slate/>), Engadget.com, published Jan. 6, 2010, 4 pages.
- PDADB.net, "Acer n20 Specs," (<http://www.pdadb.net/index.php?m=specs&id=257&c=acern20>), published May 13, 2005, 3 pages.
- PDADB.net, "Casio Cassiopeia IT-10 M20BR Specs," ([http://www.pdadb.net/index.php?m=specs&id=95&c=casio\\_cassiopeia\\_it-10\\_m20br](http://www.pdadb.net/index.php?m=specs&id=95&c=casio_cassiopeia_it-10_m20br)), published Dec. 30, 2004, 3 pages.
- PDADB.net, "Dell Axim X3 Basic Specs," ([http://www.pdadb.net/index.php?m=specs&id=81&c=dell\\_axim\\_x3\\_basic](http://www.pdadb.net/index.php?m=specs&id=81&c=dell_axim_x3_basic)), published Dec. 30, 2004, 3 pages.
- PDADB.net, "MiTAC Mio 338 Plus Digi-Walker Specs," ([http://www.pdadb.net/index.php?m=specs&id=60&c=mitac\\_mio\\_338\\_plus\\_digi-walker](http://www.pdadb.net/index.php?m=specs&id=60&c=mitac_mio_338_plus_digi-walker)), published Dec. 25, 2004, 3 pages.
- PDADB.net, "O2 XDA (HTC Wallaby) Specs," ([http://www.pdadb.net/index.php?m=specs&id=117&c=o2\\_xda\\_htc\\_wallaby](http://www.pdadb.net/index.php?m=specs&id=117&c=o2_xda_htc_wallaby)), published Feb. 3, 2005, 3 pages.
- PDADB.net, "Cony Clie PEG-SL10/PEG-SL10U/PEG-SL10E Specs," ([http://www.pdadb.net/index.php?m=specs&id=1198&c=sony\\_clie\\_peg-sl10\\_peg-sl10u\\_peg-sl10e](http://www.pdadb.net/index.php?m=specs&id=1198&c=sony_clie_peg-sl10_peg-sl10u_peg-sl10e)), published Mar. 4, 2008, 3 pages.
- PDADB.net, "Cony Clie PEG-T665C/PEG-T675C Specs," ([http://www.pdadb.net/index.php?m=specs&id=1192&c=sony\\_clie\\_peg-t665c\\_peg-t675](http://www.pdadb.net/index.php?m=specs&id=1192&c=sony_clie_peg-t665c_peg-t675)), published Mar. 4, 2008, 3 pages.
- PDADB.net, "Toshiba Genio e330 Specs," ([http://www.pdadb.net/index.php?m=specs&id=29&c=toshiba\\_genio\\_e330](http://www.pdadb.net/index.php?m=specs&id=29&c=toshiba_genio_e330)), published Dec. 9, 2004, 3 pages.
- PDADB.net, "Toshiba Genio e570 Specs," ([http://www.pdadb.net/index.php?m=specs&id=229&c=toshiba\\_genio\\_e570](http://www.pdadb.net/index.php?m=specs&id=229&c=toshiba_genio_e570)), published May 4, 2006, 3 pages.
- Ricker, "LG's KE850 PRADA Official: iPhone says, wha?" Engadget.com, (<http://www.engadget.com/20047/01/18/lgs-ke850-prada-official-iphone-says-wha/>), published Jan. 18, 2007, 4 pages.
- Ricker, "The Pidion BM-200: it's time to move to Seoul," (<http://www.engadget.com/2005/10/04/the-pidion-bm-200-its-time-to-move-to-seoul/>), Engadget.com, published Oct. 4, 2005, 4 pages.
- Rojas, "Hands-on with the Nokia N92," Engadget.com, (<http://www.engadget.com/2005/12/01/hands-on-with-the-nokia-n92/>), published Dec. 1, 2005, 4 pages.
- S. Dimitris, "Pidion BM200 Smartphone," PDASNews, (<http://www.pdasnews.com/articles/pidion-bm200-smartphone.html>), accessed Mar. 7, 2012, 2 pages.
- Salestores.com, "LG L1530TM Tablet LCD Monitor," (<http://salestores.com/1gl1talcdmos.html>), accessed Nov. 17, 2011, 2 pages.
- WebDesignerDepot.com, "The Evolution of Cell Phone Design Between 1983-2009" (<http://www.webdesignerdepot.com/2009/05/the-evolution-of-cell-phone-design-between-1983-2009/>), accessed May 6, 2011, 56 pages.
- Wikipedia.org, "CLIÉ," (<http://en.wikipedia.org/wiki/CLI%C3%89>), last modified Feb. 12, 2011, 3 pages.
- Wikipedia.org, "E-Ten," (<http://en.wikipedia.org/wiki/E-TEN>), last modified Dec. 15, 2010, 2 pages.
- Wikipedia.org, "File:LG KE850 Prada Hauptmenü.jpg," ([http://en.wikipedia.org/wiki/File:LG\\_KE850\\_Hauptmen%C3%BC.jpg](http://en.wikipedia.org/wiki/File:LG_KE850_Hauptmen%C3%BC.jpg)), accessed Feb. 12, 2012, 4 pages.
- Wikipedia.org, "iPAQ," (<http://en.wikipedia.org/wiki/IPAQ>), last modified May 4, 2011, 7 pages.
- Wikipedia.org, "Pocket Viewer," ([http://en.wikipedia.org/wiki/Pocket\\_viewer](http://en.wikipedia.org/wiki/Pocket_viewer)), last modified Apr. 10, 2011, 4 pages.
- Wikipedia.org, "Zire Handheld," ([http://en.wikipedia.org/wiki/Zire\\_Handheld](http://en.wikipedia.org/wiki/Zire_Handheld)), last modified Dec. 11, 2010, 4 pages.
- Block, "Philips PET830 and PET1030 media players," Engadget, (<http://www.engadget.com/2006/11/29/philips-pet830-and-pet1030-media-players/>), published Nov. 29, 2006, 2 pages.
- Boggs, "Electrovaya Scribbler SC4000 Review," Tablet PC Review, (<http://www.tabletpreview.com/default.asp?newsID=1130>), published Apr. 15, 2008, 6 pages.
- Fidler, "Mediamorphosis: Understanding New Media," pp. 220, 222-225, and 236-242, Pine Forge Press, Thousand Oaks, CA (1997).
- Fidler, "Predicting e-readers in 1981: A look back at the future," Associated Press Managing Editors, (<http://www.snd.org/2010/01/predicting-e-readers-in-1981-a-look-back-at-the-future/>), published Jan. 14, 2010, 5 pages.
- Flatley, "BoEye MID700 unveiled with Android OS, vaguely familiar form factor," Engadget.com, ([http://www.engadget.com/2009/11/11/boeye-mid700-unveiled-with-android-os-vaguely-familiar-form-fac/?icid=end\\_Dubai\\_art](http://www.engadget.com/2009/11/11/boeye-mid700-unveiled-with-android-os-vaguely-familiar-form-fac/?icid=end_Dubai_art)), published Nov. 11, 2009, 2 pages.
- Ganapati, "Hands On With the JooJoo, Formerly Known as CrunchPad," (<http://www.wired.com/gadgetlab/2009/12/hands-on-with-joo-joo-crunchpad/all/1>), published Dec. 7, 2009, 3 pages.



- Justia, “*Apple v. Samsung Electronics Co. Ltd. et al.*, Filing: 166 Attachment: 2,” (<http://docs.justia.com/cases/federal/district-courts/california/candce/5:2011cv01846/239768/166/2.html>), dated Aug. 22, 2011.
- Justia, “*Apple v. Samsung Electronics Co. Ltd. et al.*, Filing: 166 Attachment: 3,” (<http://docs.justia.com/cases/federal/district-courts/california/candce/5:2011cv01846/239768/166/3.html>), dated Aug. 22, 2011.
- Justia, “*Apple v. Samsung Electronics Co. Ltd. et al.*, Filing: 166 Attachment: 4,” (<http://docs.justia.com/cases/federal/district-courts/california/candce/5:2011cv01846/239768/166/4.html>), dated Aug. 22, 2011.
- Miles, “56 Apple iPad concept designs: Could any be real?,” (<http://www.pocket-lint.com/news/26500/56-apple-ipad-concept-designs/>), published Aug. 21, 2009, 14 pages.
- Miller, “MSI shows off 10-inch Android tablet running new Tegra chipset,” Engadget.com, (<http://www.engadget.com/2010/01/08/msi-shows-off-10-inch-android-tablet-running-new-tegra-chipset/>), published Jan. 8, 2010, 11 pages.
- Perton, “Samsung digital picture frame stores pics, movies, music,” Engadget.com, (<http://www.engadget.com/2006/03/09/samsung-digital-picture-frame-stores-pics-movies-music/>), published Mar. 9, 2006, 1 page.
- Rothman, “HP’s Windows 7 Slate Device Revealed by Steve Ballmer,” Gizmodo.com, (<http://www.gizmodo.com/5442200/hps-windows-7-slate-device-revealed-by-steve-ballmer/>), published Jan. 6, 2010, 2 pages.
- Stevens, “ICD confirms Vega tablet, includes Android 2.0, Tegra processor, our hearts,” Engadget.com, (<http://www.engadget.com/2009/11/13/icd-confirms-vega-tablet-includes-android-2-0-tegra-processor/>), published Nov. 13, 2009, 2 pages.
- TechLahore.com, “China’s Boeye releases ‘Apple tablet’ before Apple can—TechLahore@GITEX,” (<http://www.techlahore.com/2009/11/08/chinas-boeye-releases-apple-tablet-before-apple-can-techlahoregitex/>), published Nov. 8, 2009, 3 pages.
- The Apple Collection, “Apple PowerPad G3 Pro—Apple Design & Prototype,” ([www.theapplecollection.com/design/macdesign/Apple\\_PowerPad\\_G3\\_Pro.shtml](http://www.theapplecollection.com/design/macdesign/Apple_PowerPad_G3_Pro.shtml)), updated Oct. 31, 2011, 2 pages.
- The Apple Collection, “MyPal,” ([www.theapplecollection.com/design/macdesign/MyPal.shtml](http://www.theapplecollection.com/design/macdesign/MyPal.shtml)), updated Oct. 31, 2011, 2 pages.
- The Apple Collection, “PowerPad,” ([www.theapplecollection.com/design/macdesign/PowerPad2.shtml](http://www.theapplecollection.com/design/macdesign/PowerPad2.shtml)), updated Oct. 31, 2011, 2 pages.
- Tingle, “ICD Vega Android 2.0 Tablet Available in 2010 [Vega Android Tablet, Nvidia Tegra Chipset Touting ‘Low Cost Tablet’ Confirmed],” (<http://nexus404.com/Blog/2009/11/13/icd-vega-android-2-0-tablet-available-in-2010-vega-android-tablet-nvidia-tegra-chipset-touting-low-cost-tablet-confirmed/>), TFFTS, published Nov. 13, 2009, 2 pages.
- To, “Boeye MID 700 tablet runs Android with Apple-esque aesthetics,” Pocketables.com, (<http://www.pocketables.net/2009/11/boeye-mid-700-tablet-runs-android-with-applesque-aesthetics.html>), published Nov. 12, 2009, 2 pages.
- Topolsky, “Leaked pics of the CrunchPad make it look dangerously close to availability,” Engadget.com, (<http://www.engadget.com/2009/04/09/leaked-pics-of-the-crunchpad-make-it-look-dangerously-close-to-a/>), published Apr. 9, 2009, 2 pages.
- Topolsky, “NVIDIA CEO shows off myster tablet, makes zero statements about mystery tablet,” Engadget.com, (<http://www.engadget.com/2009/11/09/nvidia-ceo-shows-off-mystery-tablet-makes-zero-statements-about/>), published Nov. 9, 2009, 1 page.
- Weiss, “Hands-On: NVIDIA Tegra Tablet Prototyp ICD Vega (Video),” (<http://de.engadget.com/2009/11/28/hands-on-nvidia-tegra-tablet-prototyp-icd-vega-video/>), Engadget German, published Nov. 28, 2009, 13 pages.
- Klass, C., “Plastic Logic Reader—erste Partner bekannt,” (<http://www.golem.de/0902/65175.html>), published Feb. 10, 2009, 9 pages.
- JKKMobile.com, “Hanvon TouchPad BC10C tablet review,” (<http://www.jkkmobile.com/2010/03/hanvon-touchpad-bc10c-tablet-review.html>), published Mar. 13, 2010, 2 pages.
- MacTablet, “More Pictures of MacTablet Revealed . . .,” (<http://www.mactablet.co.uk/2009/11/more-pictures-of-mactablet-revealed.html>), published Nov. 27, 2009, 3 pages.
- Vantage Emea, “TPT1210-1 Web Tablet,” ([http://www.vantageemea.com/technical/User%20Interfaces/Touchscreens/Cutsheets/TPT1210-1%20Web%20Tablet\\_cutsheet.pdf](http://www.vantageemea.com/technical/User%20Interfaces/Touchscreens/Cutsheets/TPT1210-1%20Web%20Tablet_cutsheet.pdf)), published 2008, Belgium, 2 pages.
- Stromer, G., “CES 2010: Plastic Logic zeigt superflachen und -teuren eBook-Reader Que,” (<http://www.cnet.de/41525409/ces-2010-plastic-logic-zeigt-superflachen-und-teuren-ebook-reader-que/>), published Jan. 10, 2010, 2 pages.

\* cited by examiner

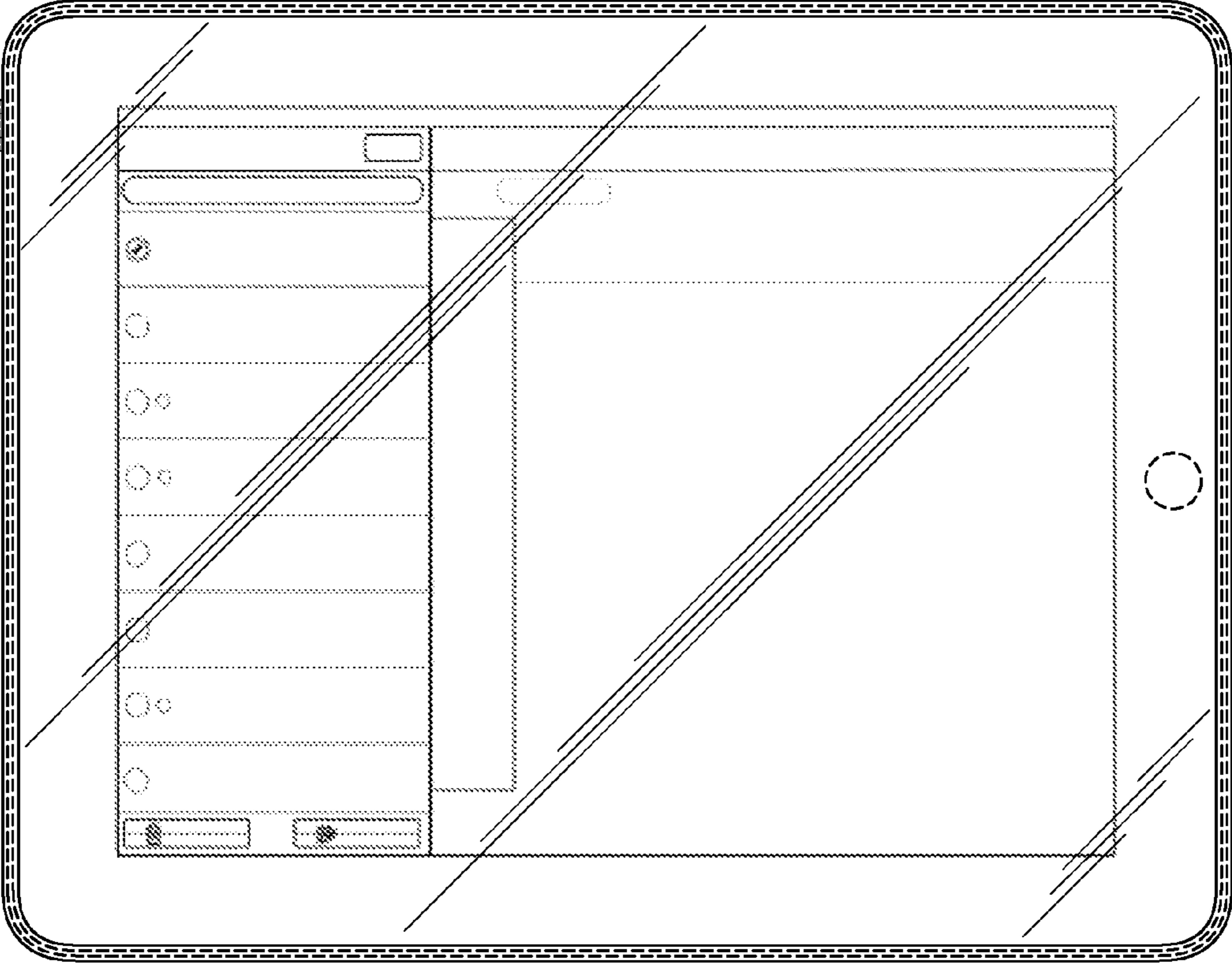


FIG. 1

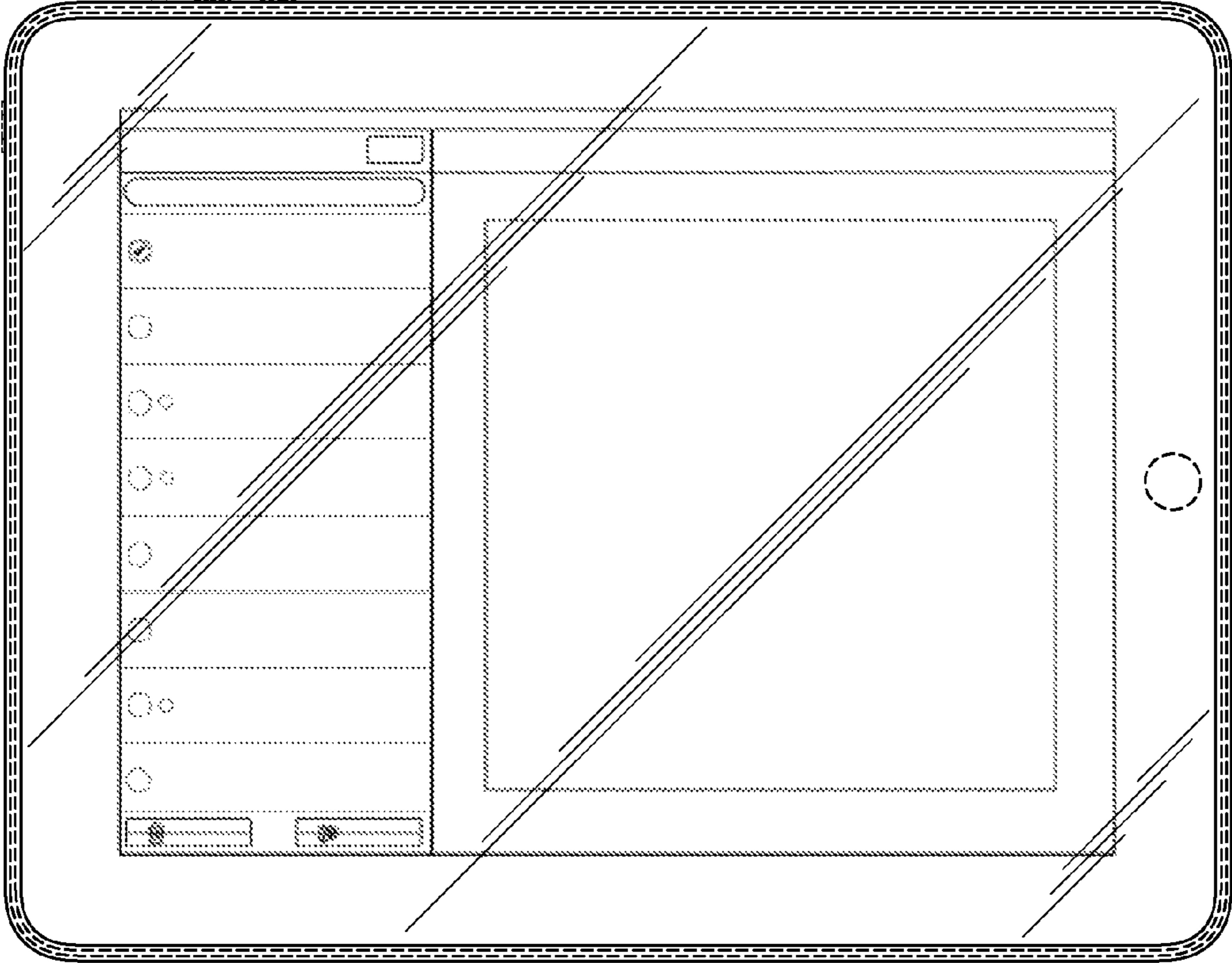


FIG. 2

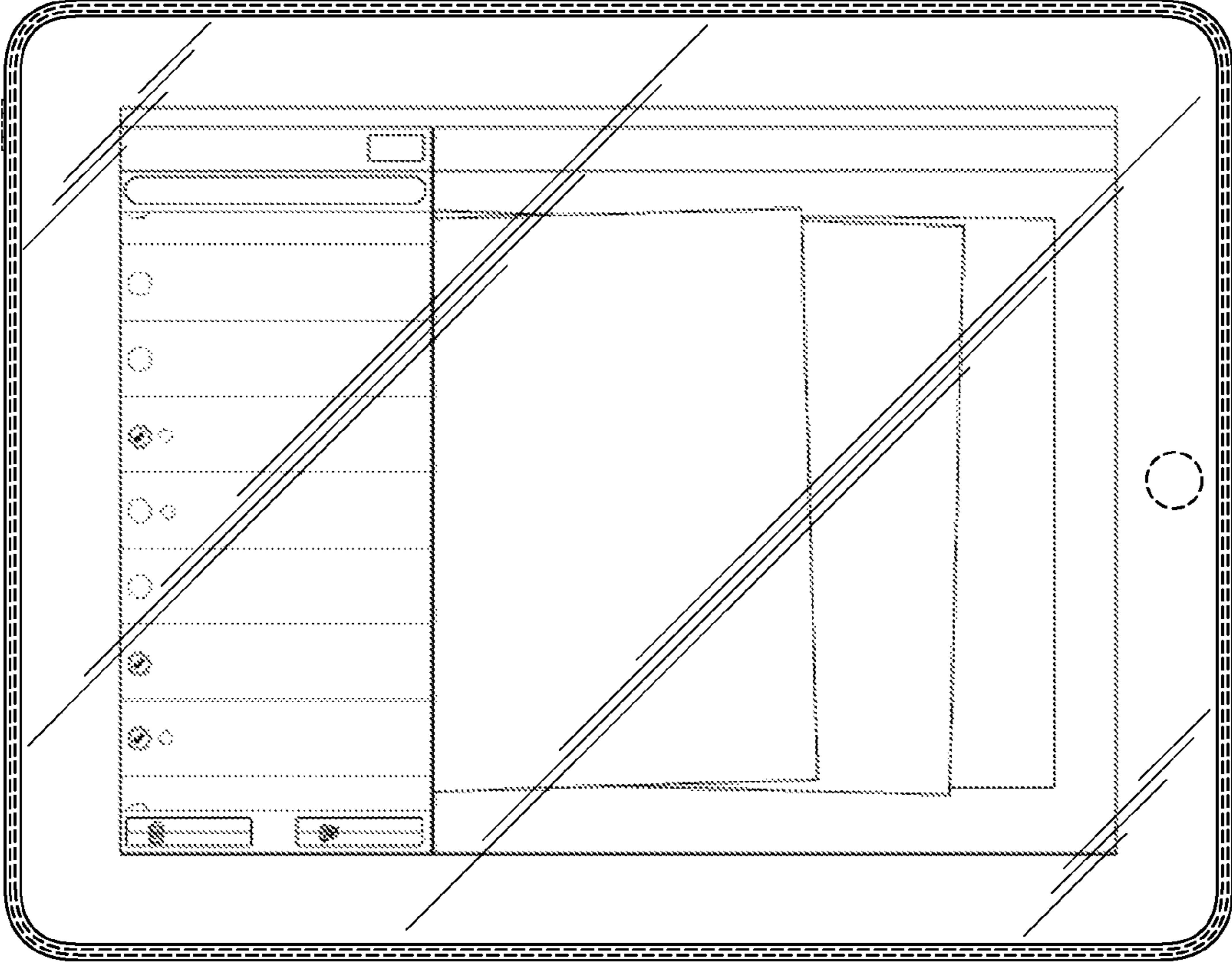


FIG. 3

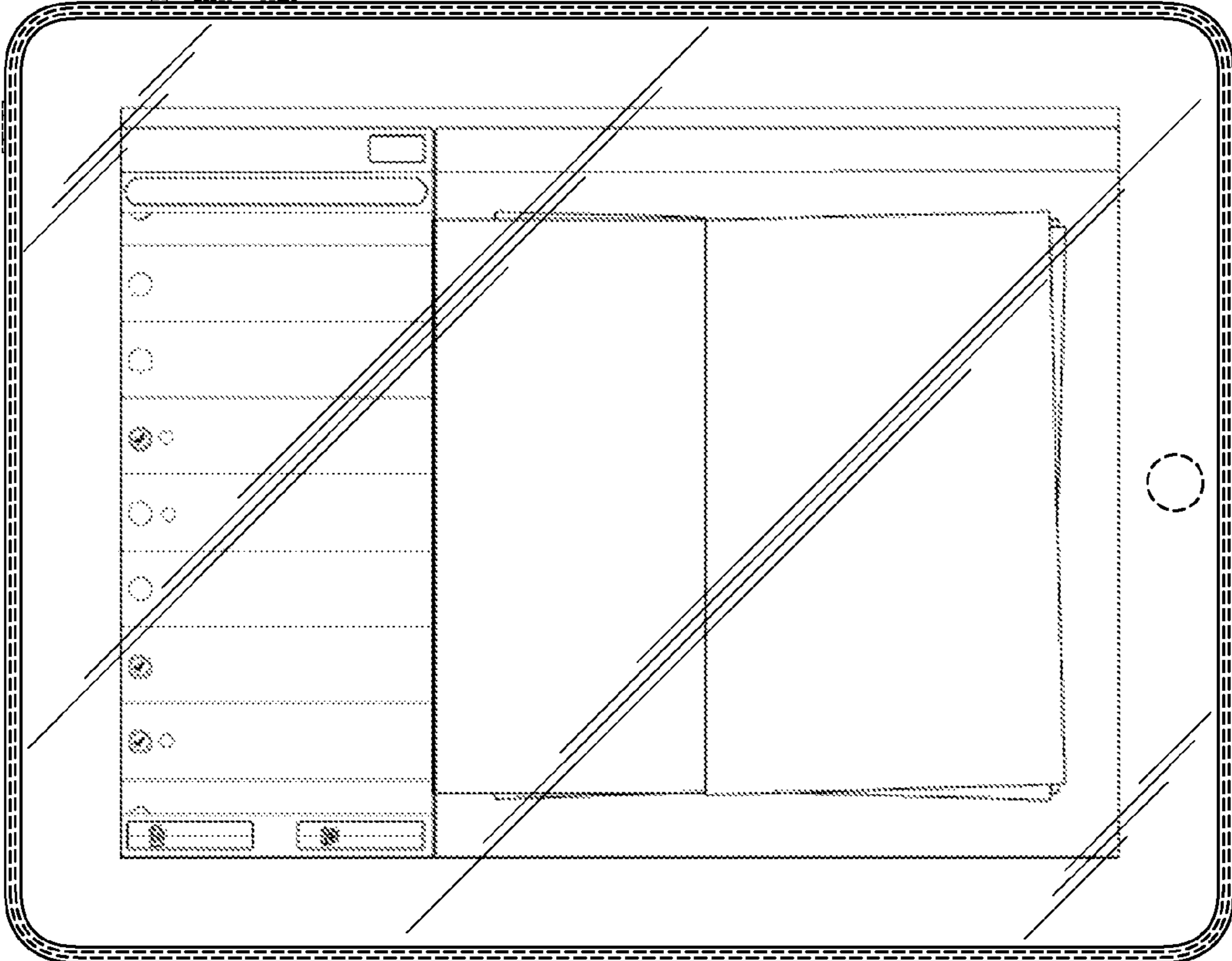


FIG. 4

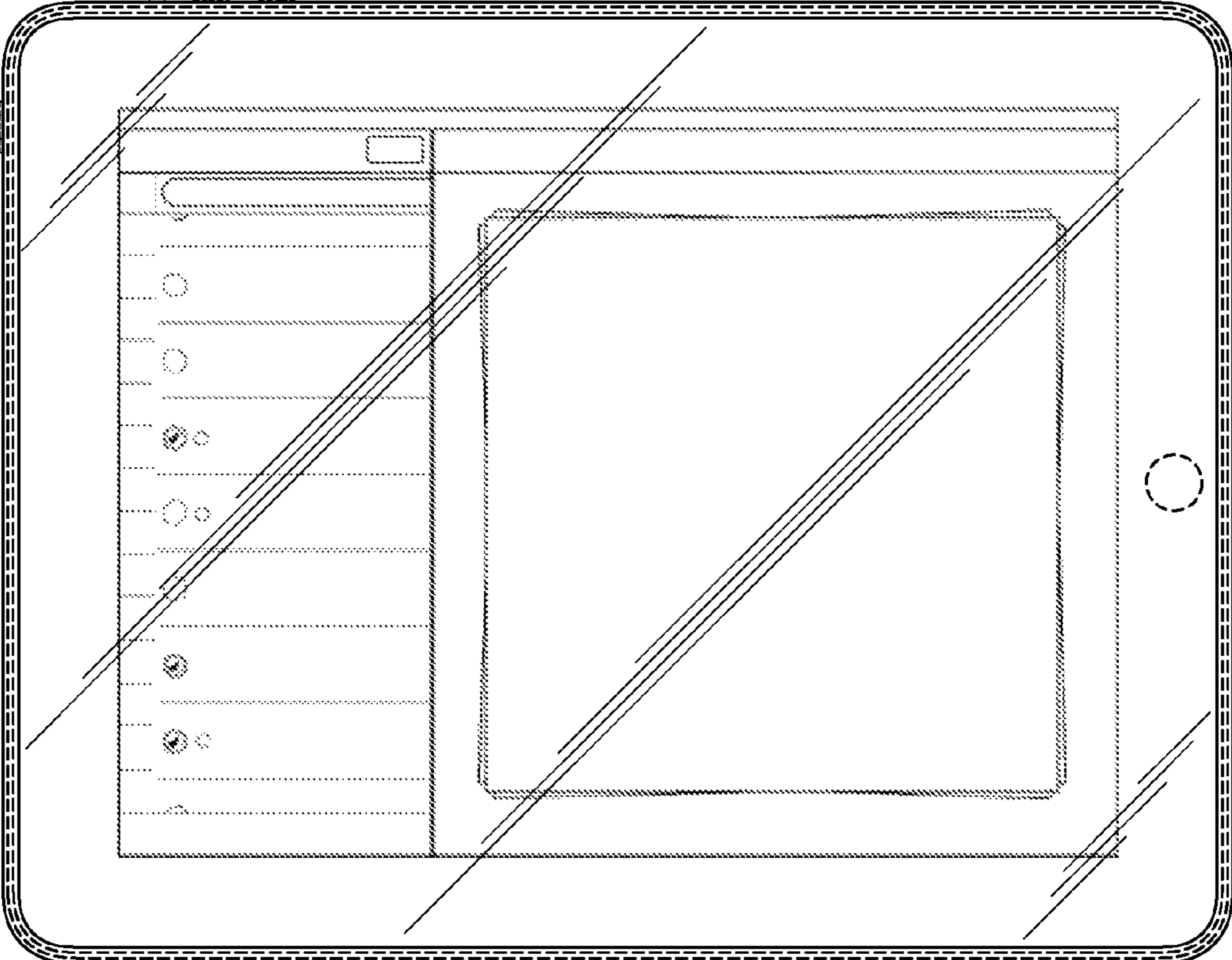


FIG. 5

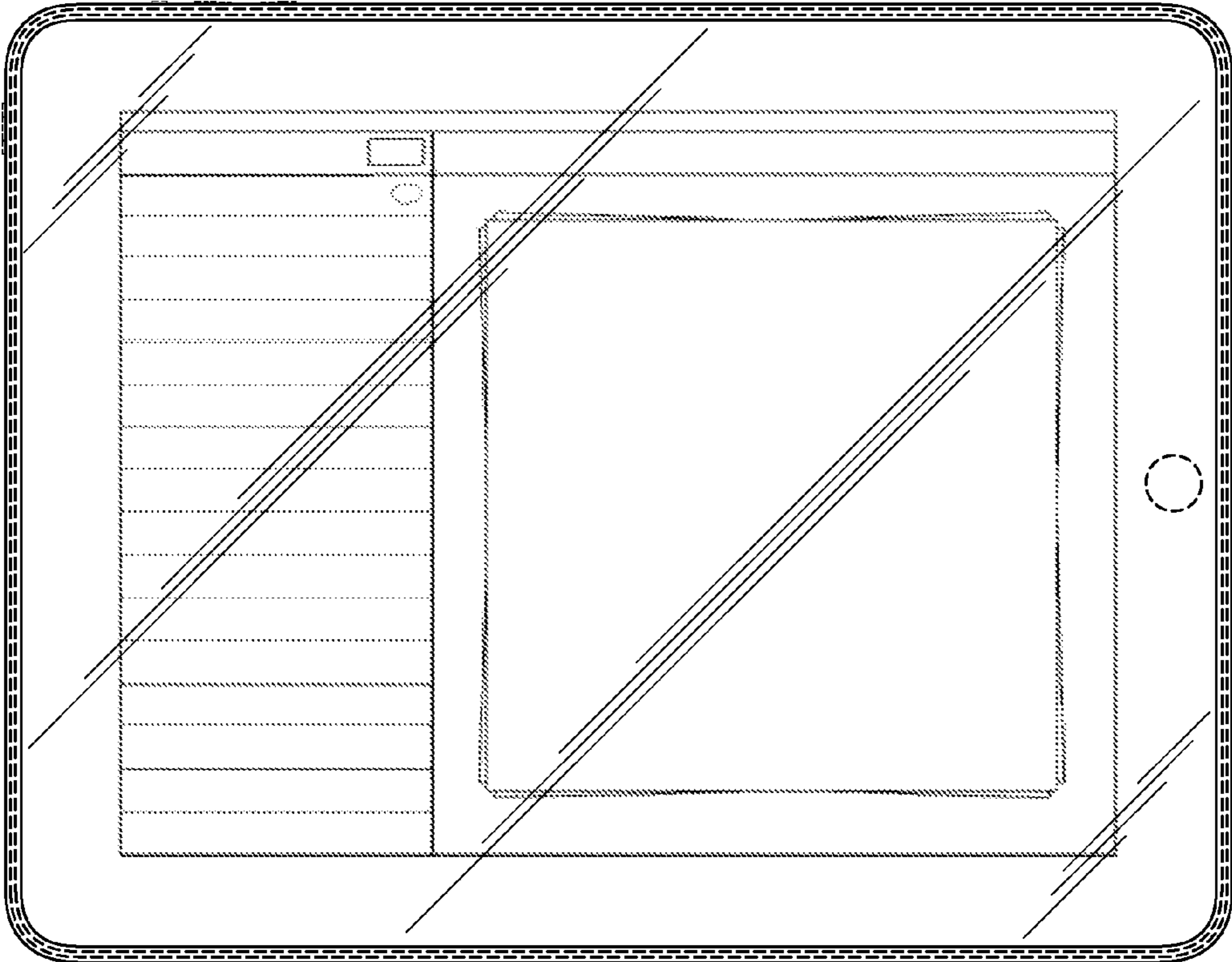
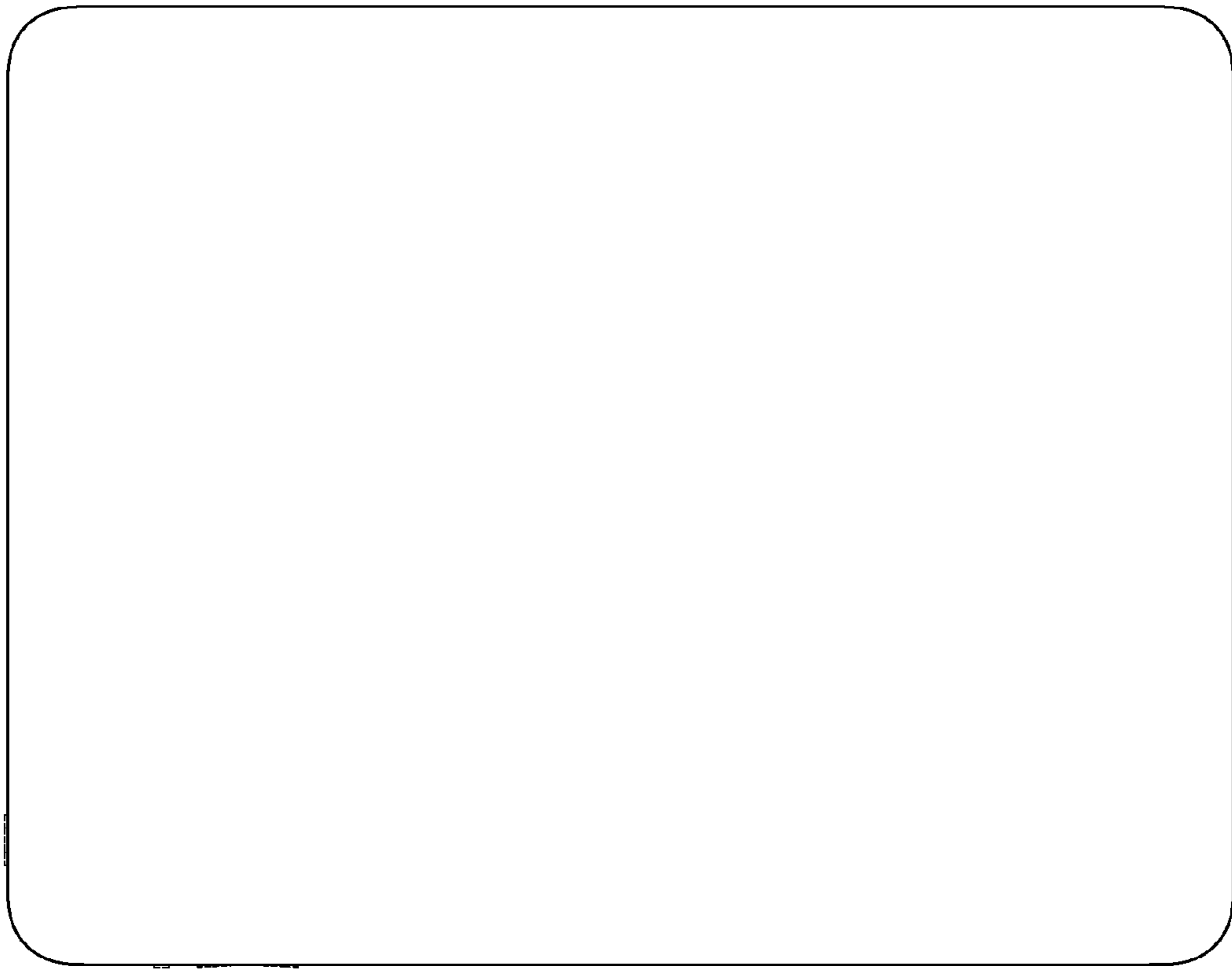
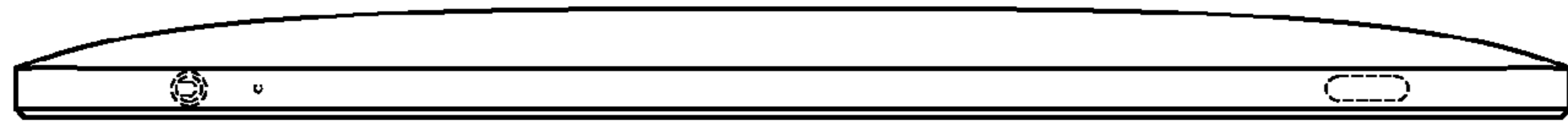


FIG. 6

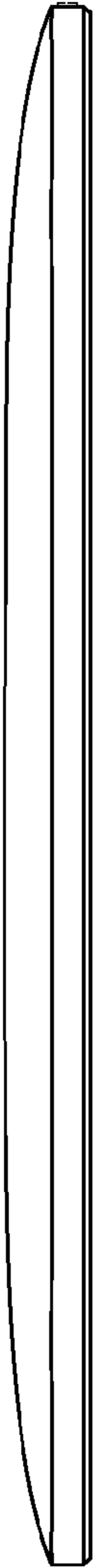


***FIG. 7***

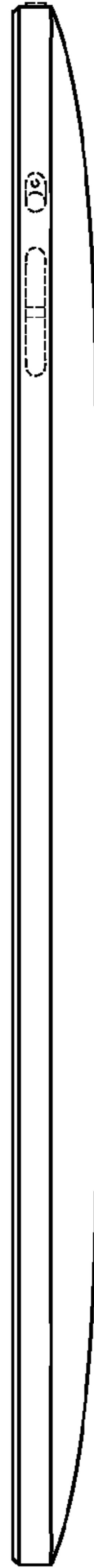




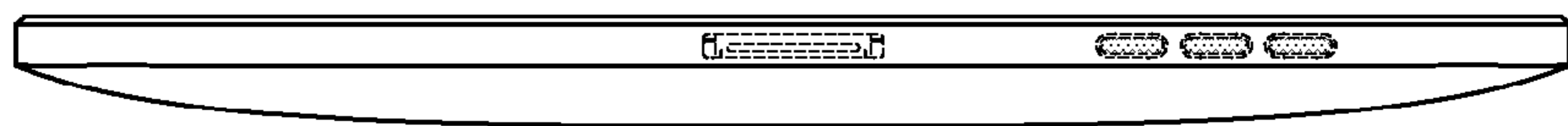
**FIG. 8**



**FIG. 9**



**FIG. 10**



**FIG. 11**

UNITED STATES PATENT AND TRADEMARK OFFICE  
**CERTIFICATE OF CORRECTION**

PATENT NO. : D682,262 S  
APPLICATION NO. : 29/365385  
DATED : May 14, 2013  
INVENTOR(S) : Jody Akana

Page 1 of 3

It is certified that error appears in the above-identified patent and that said Letters Patent is hereby corrected as shown below:

Delete the title page and substitute the attached title page therefor.

On the title page in the "DESCRIPTION" section, starting at line 1, please delete "This application is a Continuation application of and claims priority to U.S. Design Patent Application Ser. No, 29/353,307, filed Jan. 27, 2010, the disclosures of which are incorporated herein in their entirety by reference thereto."

In the Drawings

On sheet 8 of 8, please replace Figures 8 through 11 with attached Figures 8 through 11. (See Attached)

Signed and Sealed this  
Twenty-seventh Day of January, 2015



Michelle K. Lee  
*Deputy Director of the United States Patent and Trademark Office*

(12) **United States Design Patent**  
**Akana et al.**

(10) **Patent No.:** **US D682,262 S**  
(45) **Date of Patent:** **\*\* May 14, 2013**

(54) **PORTABLE DISPLAY DEVICE WITH ANIMATED GRAPHICAL USER INTERFACE**

(75) **Inventors:** **Jody Akana**, San Francisco, CA (US); **Bartley K. Andre**, Menlo Park, CA (US); **Daniel J. Coster**, San Francisco, CA (US); **Daniele De Iullis**, San Francisco, CA (US); **M. Evans Hankey**, San Francisco, CA (US); **Richard P. Howarth**, San Francisco, CA (US); **Jonathan P. Ive**, San Francisco, CA (US); **Steve Jobs**, Palo Alto, CA (US); **Duncan Robert Kerr**, San Francisco, CA (US); **Stephen O. Lemay**, San Francisco, CA (US); **Shin Nishibori**, Portola Valley, CA (US); **Matthew Dean Rohrbach**, San Francisco, CA (US); **Peter Russell-Clarke**, San Francisco, CA (US); **Christopher J. Stringer**, Woodside, CA (US); **Eugene Antony Whang**, San Francisco, CA (US); **Rico Zorkendorfer**, San Francisco, CA (US)

(73) **Assignee:** **Apple Inc.**, Cupertino, CA (US)  
(\*\*) **Term:** **14 Years**  
(21) **Appl. No.:** **29/365,385**  
(22) **Filed:** **Jul. 8, 2010**  
(51) **LOC (9) Cl.** ..... **14-02**  
(52) **U.S. Cl.**  
USPC ..... **D14/341; D14/486**

(58) **Field of Classification Search** ..... **D14/341-347, D14/137, 138, 138.1, 138 AA, 138 R, 138 AB, D14/138 AC, 138 AD, 138 C, 138 G, 496, D14/203.1, 203.3, 203.4, 203.5, 203.6, 203.7, D14/426, 427, 428, 432, 429, 129, 130, 420, D14/439-441, 448, 125, 147, 156, 218, 247-248, D14/250, 389, 336, 485-495; D10/65, 104; D18/6-7; D21/29, 686, 33, 324, 329, 330; D19/60; 345/169, 901, 905; 348/169; 361/814; 341/122; 346/173; 379/433.04, 433.07, 379/433.11, 433.12, 433.13, 910, 916, 433.01, 379/433.06**

See application file for complete search history.

(56) **References Cited**

**U.S. PATENT DOCUMENTS**

2,424,630 A 7/1947 Perez

(Continued)

**FOREIGN PATENT DOCUMENTS**

AU 315078 7/2007

(Continued)

**OTHER PUBLICATIONS**

HP Compaq Tablet PC TC1000-TM5800 1GHz—10.4" TFT, CNET Reviews, [http://reviews.cnet.com/tablet-pcs/hp-compaq-tablet-pc/4505-1707\\_7-20627295.html](http://reviews.cnet.com/tablet-pcs/hp-compaq-tablet-pc/4505-1707_7-20627295.html). Downloaded Apr. 20, 2010, 13 pages.

(Continued)

*Primary Examiner* — Barbara Fox

(74) *Attorney, Agent, or Firm* — Sterne, Kessler, Goldstein & Fox PLLC

(57) **CLAIM**

The ornamental design for a portable display device with animated graphical user interface, as shown and described.

**DESCRIPTION**

This application is a Continuation application of and claims priority to U.S. Design Patent application Ser. No. 29/353,307, filed Jan. 6, 2010 and U.S. Patent application Ser. No. 29/354,643, filed Jan. 27, 2010, the disclosures of which are incorporated herein in their entirety by reference thereto.

FIG. 1 is a front view of a first image of a portable display device with animated graphical user interface showing our new design;

FIG. 2 is a front view of a second image thereof;

FIG. 3 is a front view of a third image thereof;

FIG. 4 is a front view of a fourth image thereof;

FIG. 5 is a front view of a fifth image thereof;

FIG. 6 is a front view of a sixth image thereof;

FIG. 7 is a rear view thereof;

FIG. 8 is a top view thereof;

FIG. 9 is a left side view thereof;

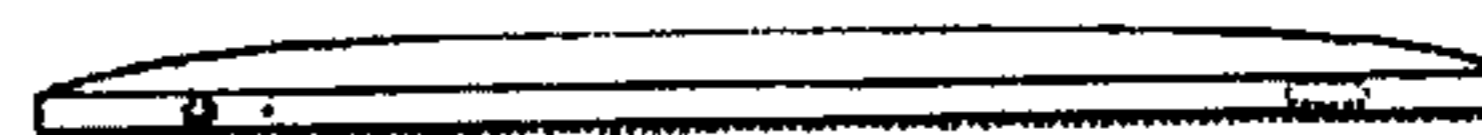
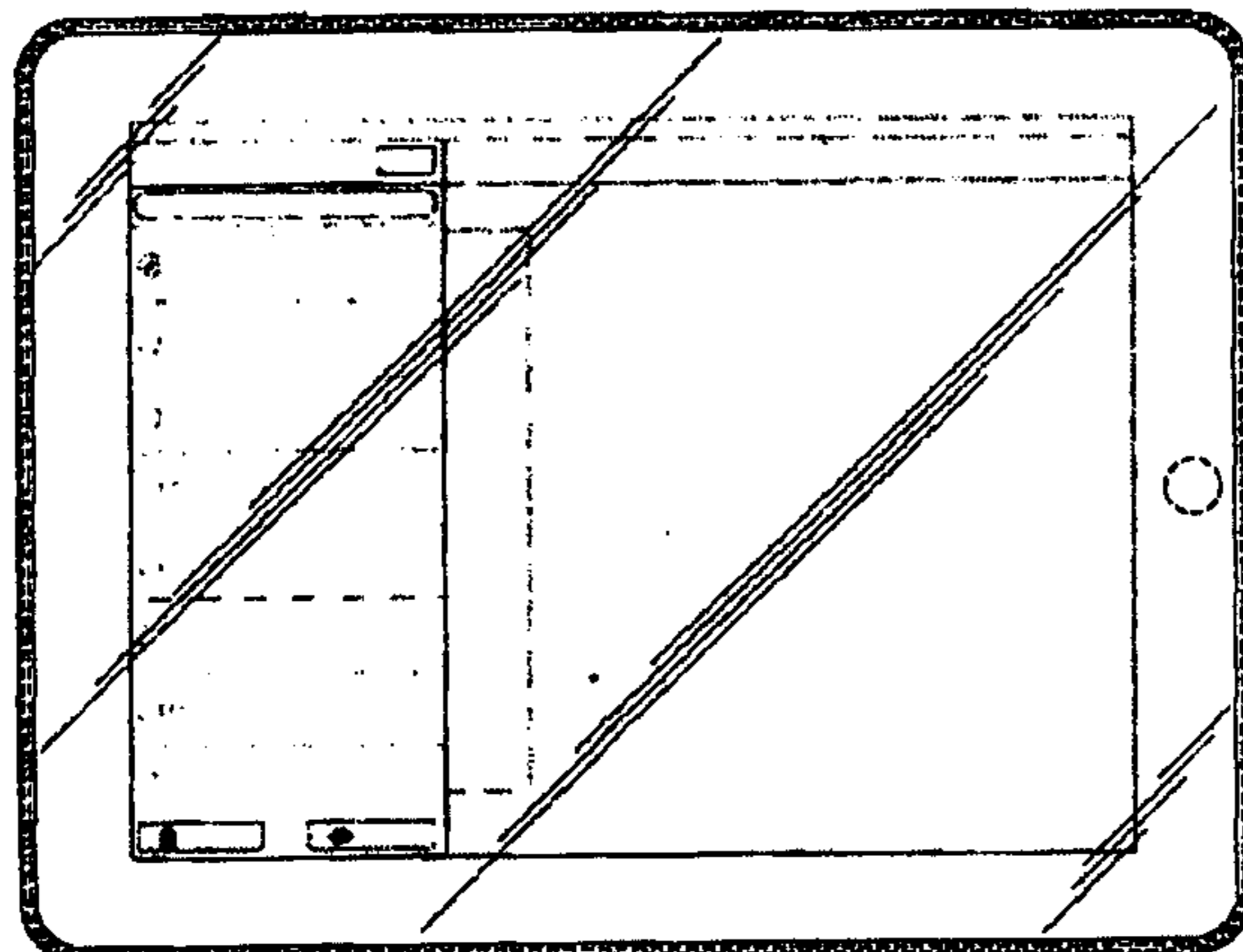
FIG. 10 is a right side view thereof; and,

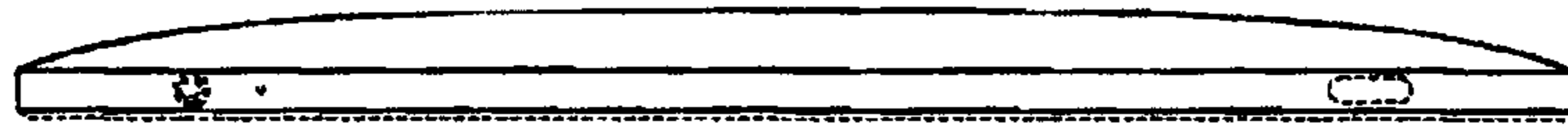
FIG. 11 is a bottom view thereof.

The broken lines in the drawings represent unclaimed portions of the portable display device with animated graphical user interface and form no part of the claimed design.

The appearance of the image transitions sequentially between the images shown in FIGS. 1 through 6, respectively. The process or period in which an image transitions to another forms no part of the claimed design.

**1 Claim, 8 Drawing Sheets**

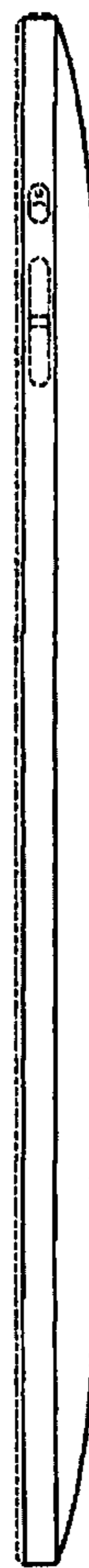




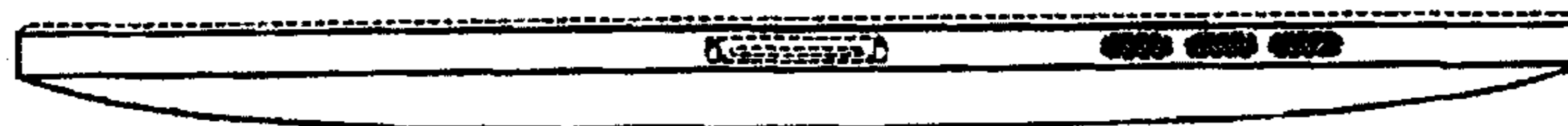
**FIG. 8**



**FIG. 9**



**FIG. 10**



**FIG. 11**