



US00D682261S

(12) **United States Design Patent**
Miyawaki

(10) **Patent No.:** **US D682,261 S**

(45) **Date of Patent:** **** May 14, 2013**

(54) **IN-VEHICLE DIGITAL AUDIO PLAYER**

(75) Inventor: **Masayuki Miyawaki**, Kanagawa (JP)

(73) Assignee: **Clarion Co., Ltd.**, Saitama (JP)

(**) Term: **14 Years**

(21) Appl. No.: **29/408,308**

(22) Filed: **Dec. 9, 2011**

(30) **Foreign Application Priority Data**

Jun. 17, 2011 (JP) 2011-013788

(51) **LOC (9) Cl.** **14-03**

(52) **U.S. Cl.**
USPC **D14/258**

(58) **Field of Classification Search** D14/131,
D14/132, 137, 155, 157, 168-171, 188, 194,
D14/197, 198, 239, 257, 258, 496, 498-508;
455/90.1-90.3, 344-355; 369/6-12
See application file for complete search history.

(56) **References Cited**

U.S. PATENT DOCUMENTS

D567,812 S * 4/2008 Kimura et al. D14/258
D577,718 S * 9/2008 Muto D14/258
D585,420 S * 1/2009 Suzuki D14/157

D610,162 S * 2/2010 Shiono et al. D14/511
D611,059 S * 3/2010 Sugita D14/505
D611,060 S * 3/2010 Sugita D14/505
D625,701 S * 10/2010 Miyawaki D14/157
D637,993 S * 5/2011 Yamamoto D14/157
D658,645 S * 5/2012 Sugita D14/258

* cited by examiner

Primary Examiner — Keli L Hill

(74) *Attorney, Agent, or Firm* — McDermott Will & Emery LLP

(57) **CLAIM**

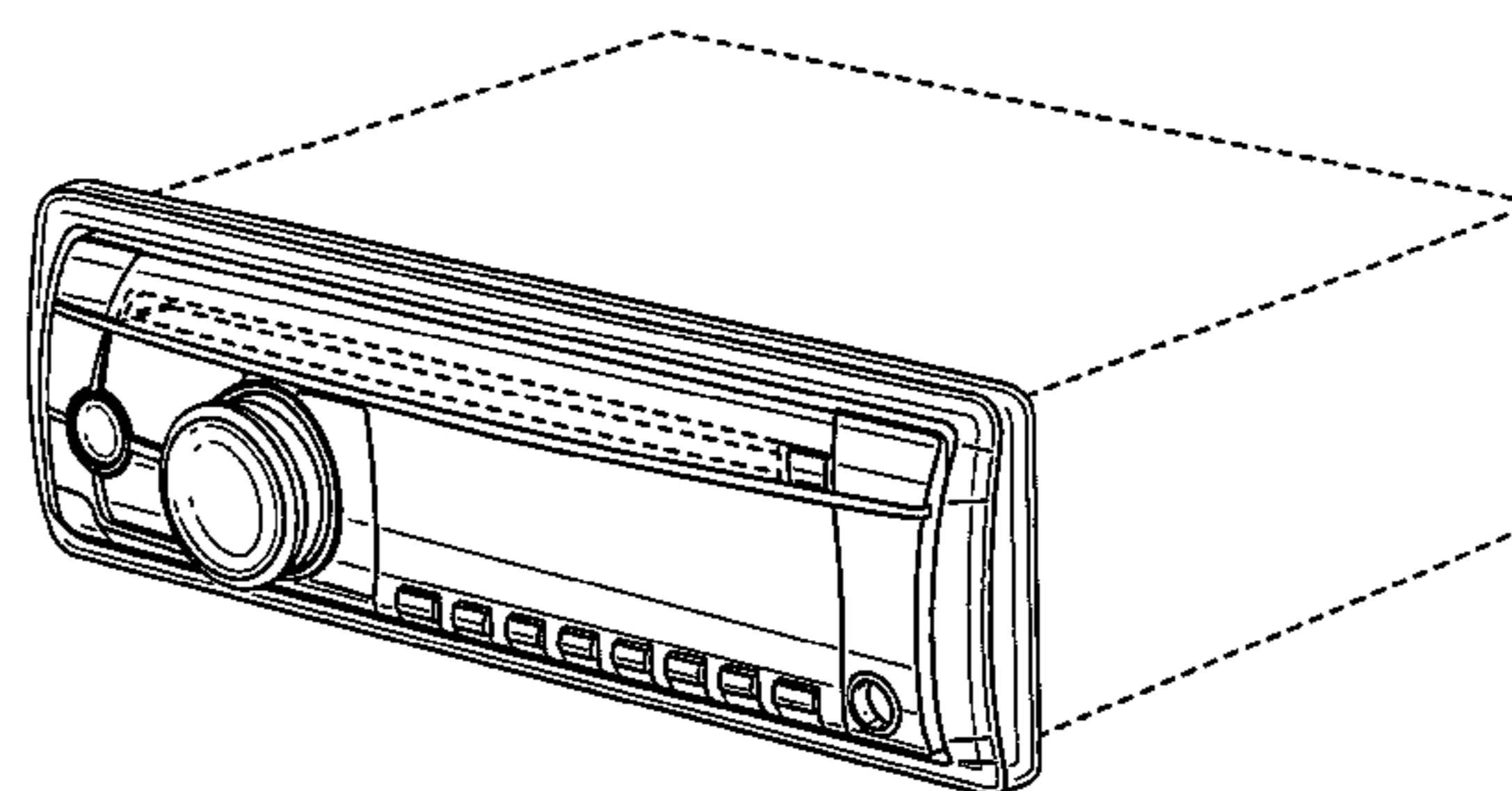
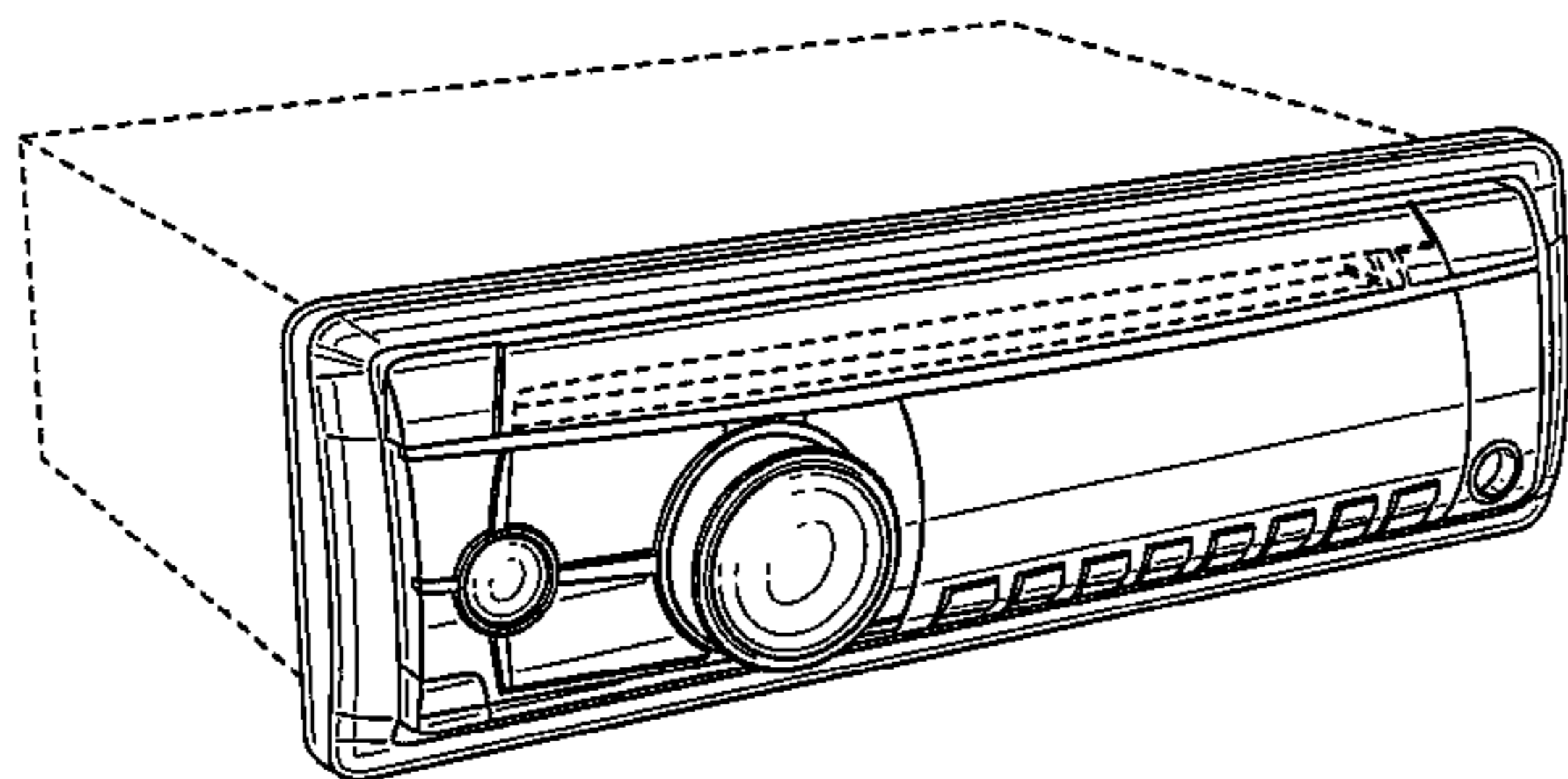
The ornamental design for an in-vehicle digital audio player, as shown.

DESCRIPTION

FIG. 1 is a left perspective view of an in-vehicle digital audio player;
FIG. 2 is a right perspective view thereof;
FIG. 3 is a front view thereof;
FIG. 4 is a rear view thereof;
FIG. 5 is a left side view thereof;
FIG. 6 is a right side view thereof;
FIG. 7 is a top view thereof; and,
FIG. 8 is a bottom view thereof.

The broken lines in the drawings illustrate environmental subject matter only and form no part of the claimed design.

1 Claim, 4 Drawing Sheets



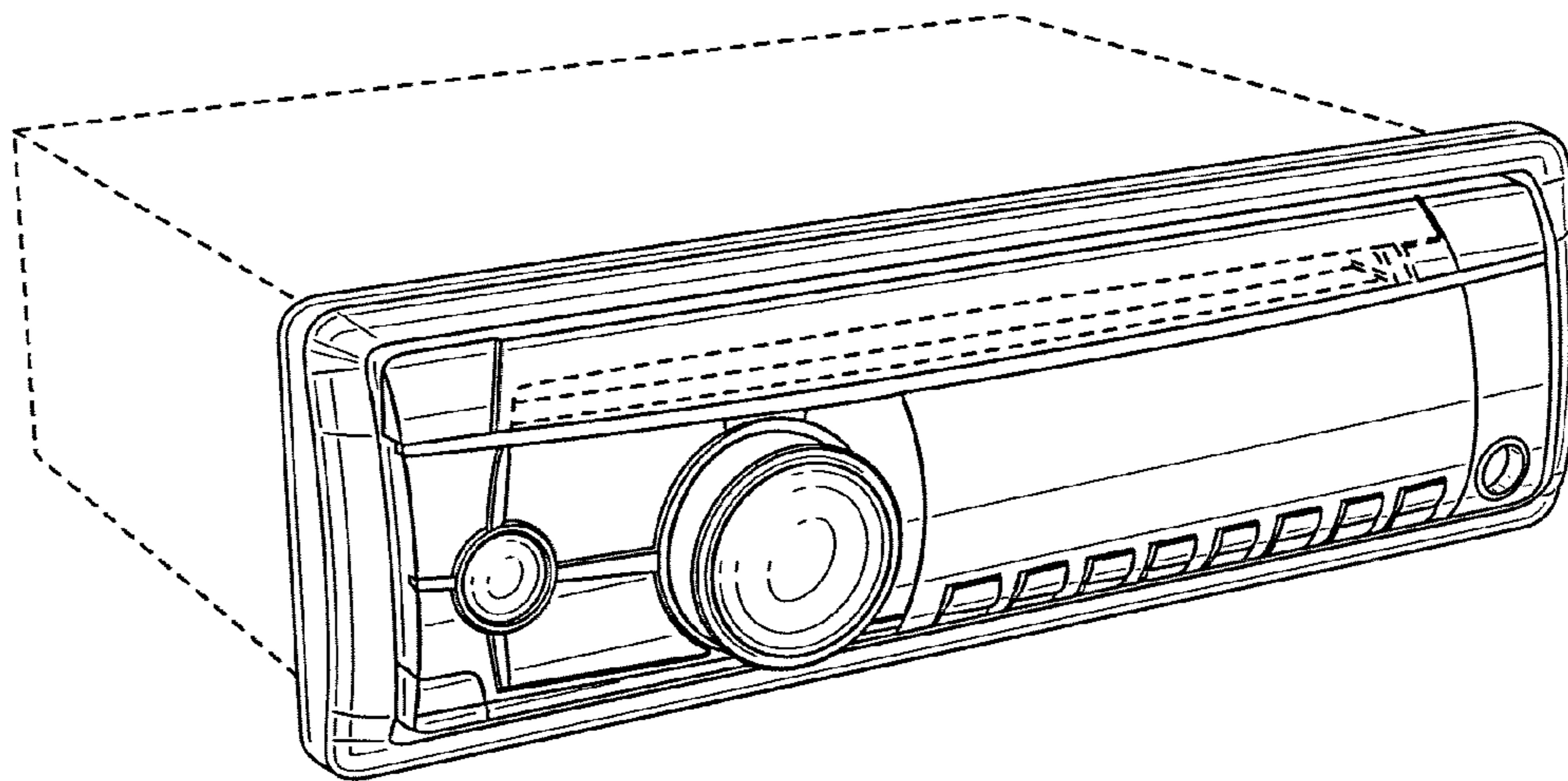


FIG. 1

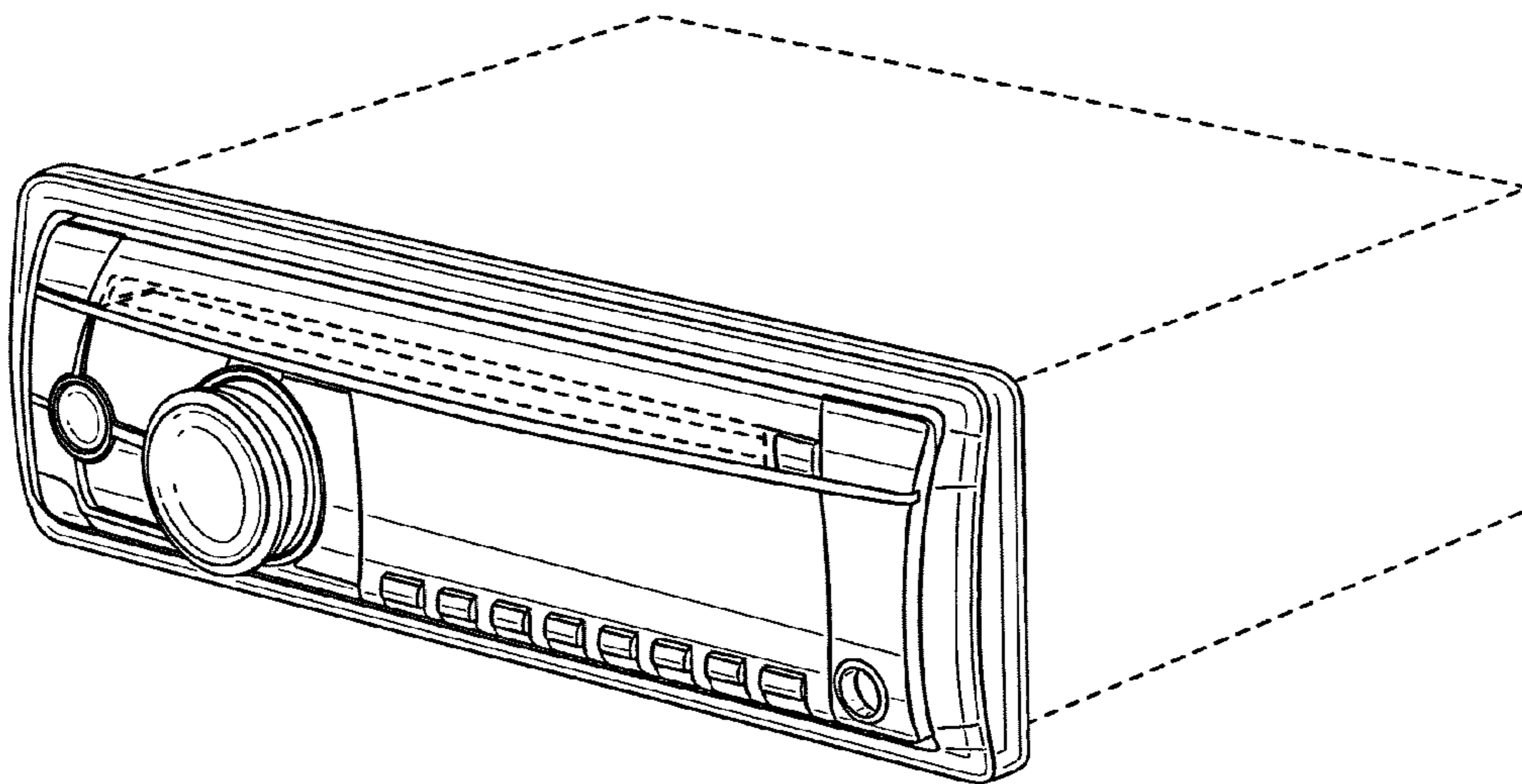


FIG. 2

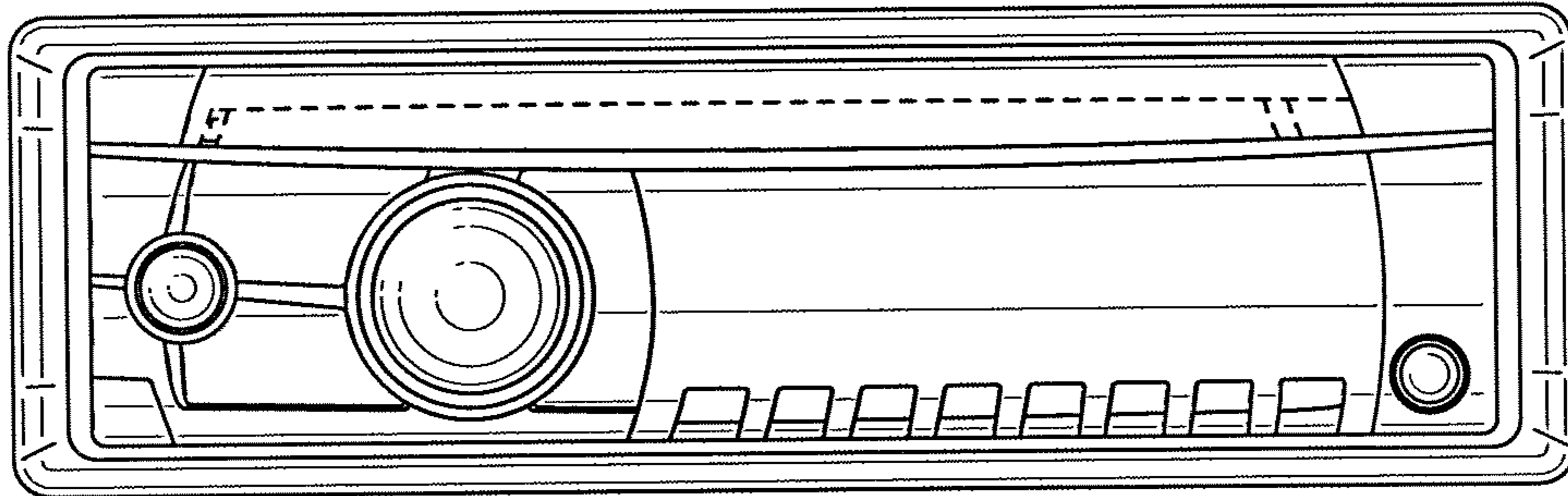


FIG. 3

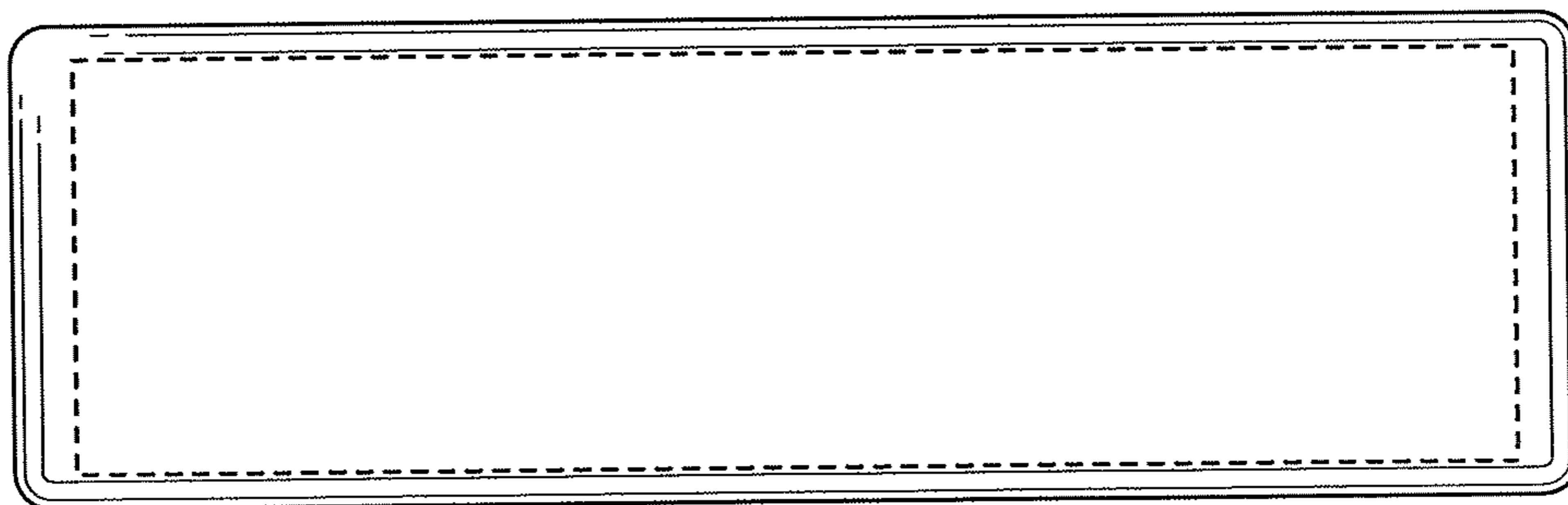


FIG. 4

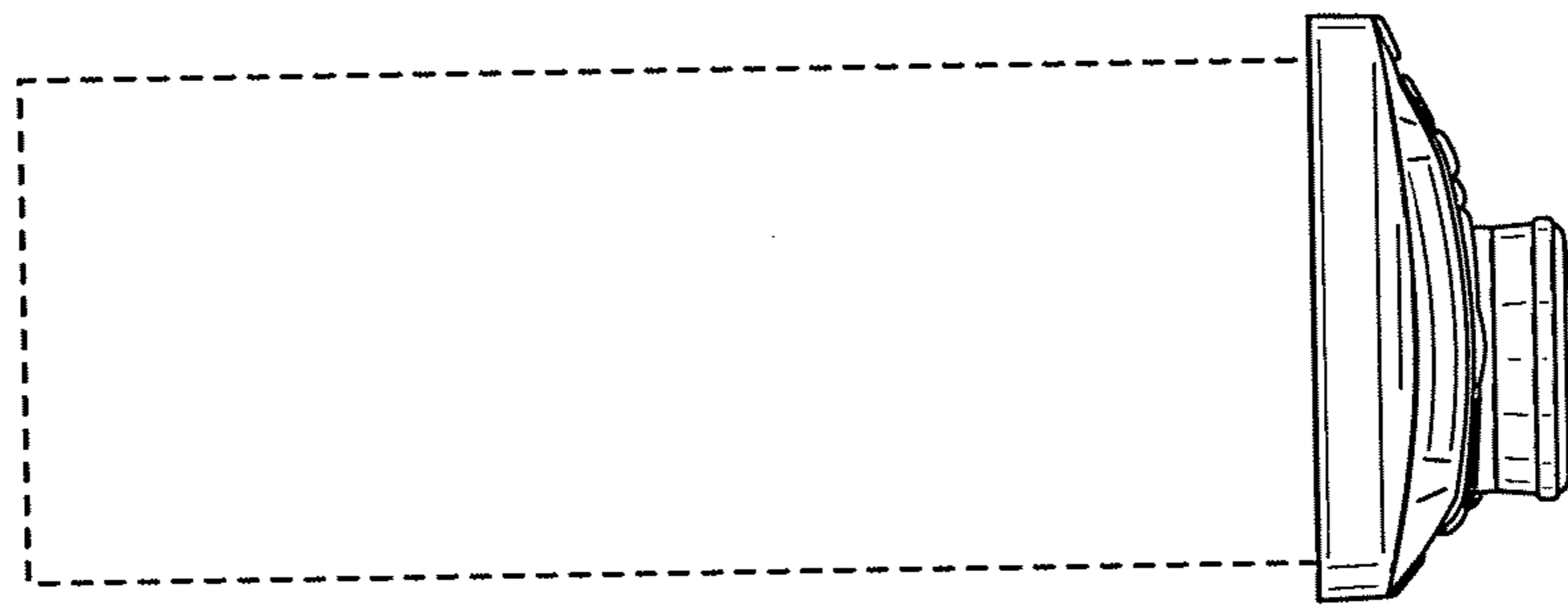


FIG. 5



FIG. 6

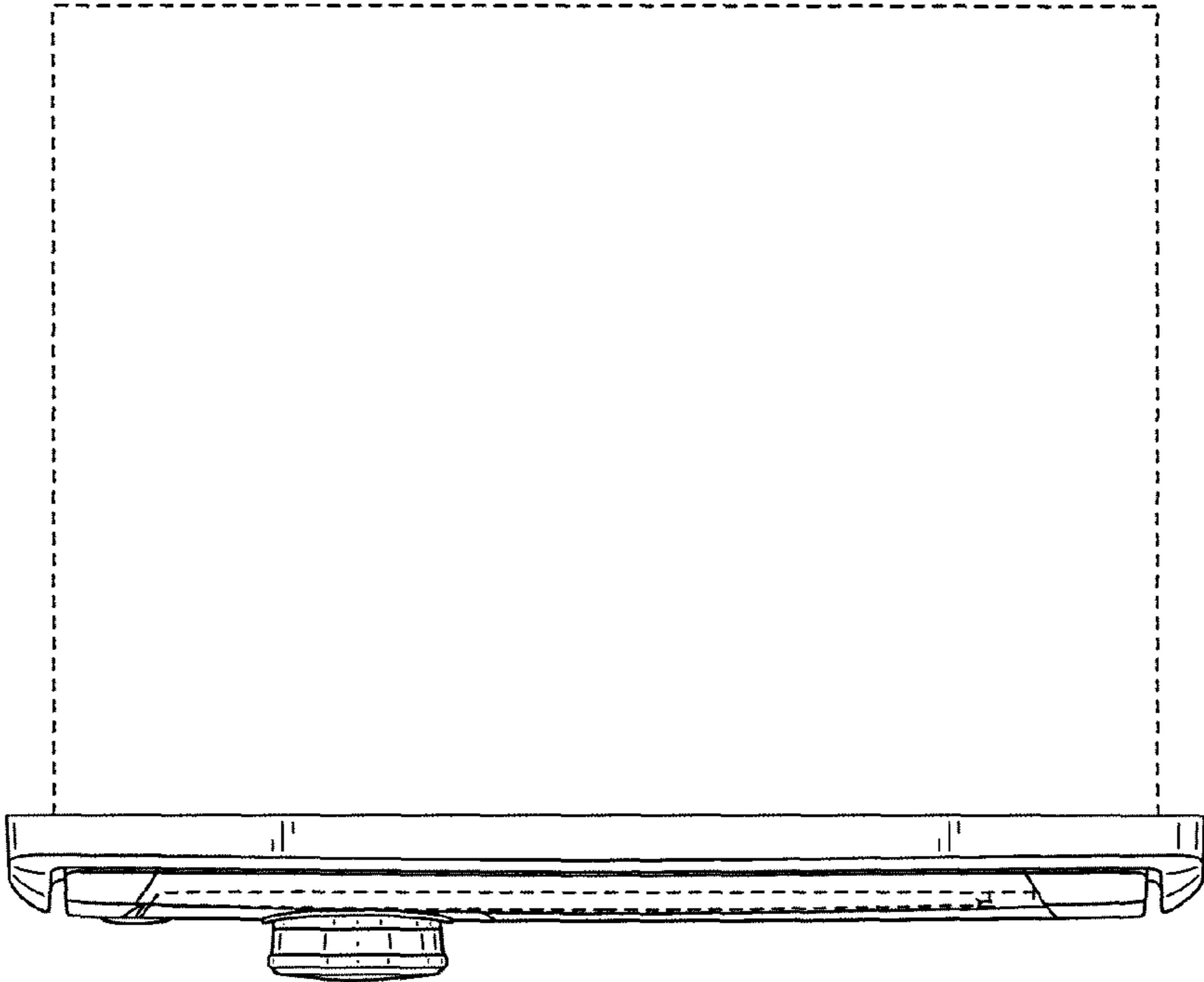


FIG. 7

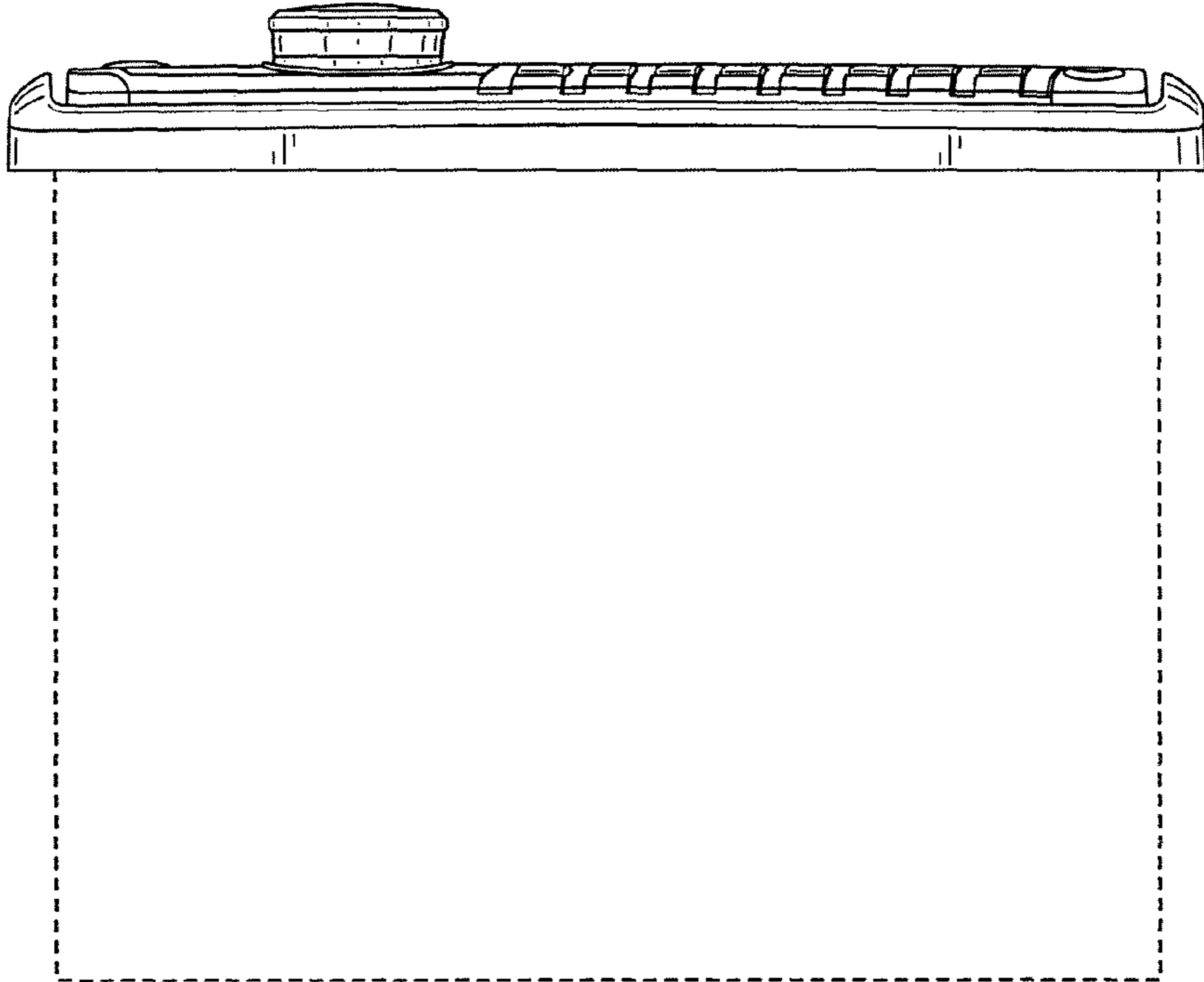


FIG. 8