



US00D682258S

(12) **United States Design Patent**
Anderson

(10) **Patent No.:** **US D682,258 S**

(45) **Date of Patent:** **** May 14, 2013**

(54) **AUDIO-VISUAL DISPLAY MOUNTING ARM**

(75) Inventor: **Glenn Eric Anderson**, Malvern, PA
(US)

(73) Assignee: **Southco, Inc.**, Concordville, PA (US)

(**) Term: **14 Years**

(21) Appl. No.: **29/413,502**

(22) Filed: **Feb. 16, 2012**

(51) **LOC (9) Cl.** **14-03**

(52) **U.S. Cl.**

USPC **D14/239**

(58) **Field of Classification Search** D14/447,
D14/451, 452, 239, 432, 434, 439, 448, 457,
D14/251, 253, 224, 224.1, 126, 127, 371,
D14/373, 374, 375; D8/363, 373, 380; 248/917,
248/918, 919, 920, 921, 922, 923, 924, 441.1,
248/460, 122.1, 125.7, 371, 176.1, 176.3,
248/222.52, 276.1, 324; 361/679.06, 679.04,
361/679.21, 679.22, 679.56

See application file for complete search history.

(56) **References Cited**

U.S. PATENT DOCUMENTS

D202,817 S	11/1965	Goda	D8/355
5,743,503 A *	4/1998	Voeller et al.	248/284.1
D462,969 S	9/2002	Scharer et al.	D14/447
D488,708 S	4/2004	Lam et al.		
D489,599 S	5/2004	Lam		
6,769,657 B1 *	8/2004	Huang	248/278.1
D505,858 S	6/2005	O'Keene		
6,915,995 B2	7/2005	Gillespie		
7,028,961 B1	4/2006	Dittmer et al.		
D537,706 S	3/2007	Ly Hau et al.		
D538,633 S	3/2007	Ly Hau et al.		
D539,123 S	3/2007	Ly Hau et al.		
D539,127 S	3/2007	Ly Hau et al.		
D543,210 S	5/2007	Stenhouse et al.		
D543,547 S	5/2007	Muday et al.		
D543,548 S	5/2007	Muday et al.		
D558,562 S	1/2008	Ciugan et al.	D8/363
D559,087 S	1/2008	Ciugan et al.	D8/363
D569,381 S	5/2008	Sculler et al.	D14/452

D577,730 S	9/2008	Rutten	D14/452
D623,654 S	9/2010	Hau et al.	D14/452
7,789,363 B2 *	9/2010	Duan	248/284.1
7,806,378 B2 *	10/2010	Oddsens, Jr.	248/280.11
7,967,273 B2 *	6/2011	Zhou et al.	248/372.1
D644,648 S *	9/2011	Anderson et al.	D14/452
2004/0262474 A1	12/2004	Boks et al.		
2008/0029669 A1	2/2008	Olah et al.		

OTHER PUBLICATIONS

Engineering Drawing for Southco Part No: CT-99-4333, dated May 15, 2008, manufactured by Southco.

(Continued)

Primary Examiner — Raphael Barkai

Assistant Examiner — Randall Gholson

(74) *Attorney, Agent, or Firm* — Paul & Paul

(57) **CLAIM**

The ornamental design for an audio-visual display mounting arm, as shown and described.

DESCRIPTION

FIG. 1 is a right side elevational view of the audio-visual mounting arm, shown in a first position.

FIG. 2 is a front elevational view thereof shown in a first position.

FIG. 3 is a left side elevational view thereof.

FIG. 4 is a bottom plan view thereof.

FIG. 5 is a rear elevational view thereof.

FIG. 6 is a top plan view thereof.

FIG. 7 is a front perspective view thereof.

FIG. 8 is the rear perspective view thereof.

FIG. 9 is a top plan view thereof, shown in a second position.

FIG. 10 is a right side elevational view thereof.

FIG. 11 is a rear elevational view thereof.

FIG. 12 is a front elevational view thereof.

FIG. 13 is a bottom plan view thereof.

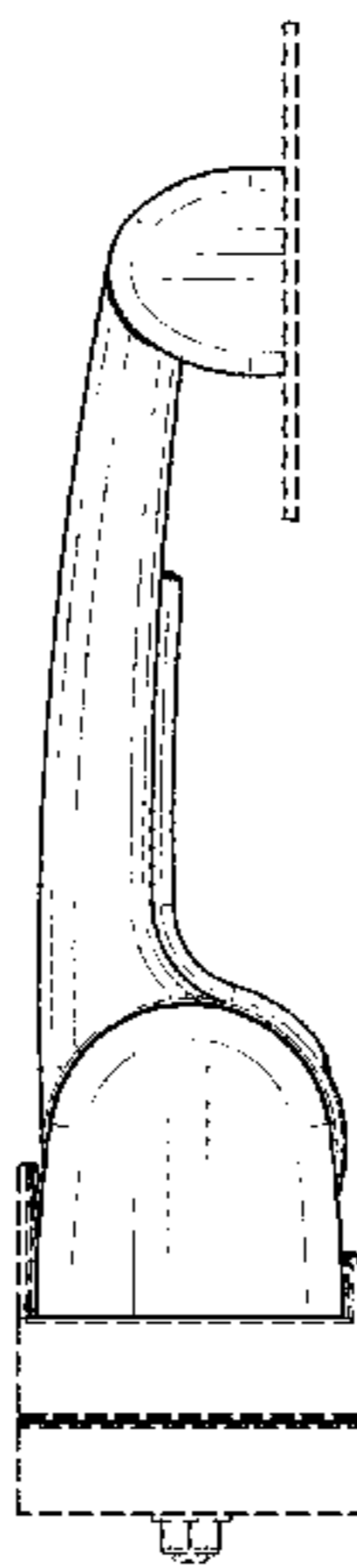
FIG. 14 is a left side elevational view thereof.

FIG. 15 is a top perspective view thereof; and,

FIG. 16 is a bottom perspective view thereof.

Parts shown in dashed lines in the Figures are not part of the claimed invention.

1 Claim, 6 Drawing Sheets



OTHER PUBLICATIONS

Presentation by Design Design, Inc., Oct. 17, 2008, pp. 1 and 6.
Omnimount product brochure, part # 63HDARM-UA, part # 54HDARM, Part # 54HDARMUA, part # 63HDARM, part # 63HDARMUA, 3 pages, 2005. (obtained from www.omnimount.com on or prior to Mar. 13, 2006).
Peerless product brochure, models PLA 2 and PLA 2S, 2 pages, 2003. (obtained from www.perlessindustries.com on or prior to Mar. 13, 2006).

Sanus Systems product assembly instructions, Vision Mount VMAA Flat Panel Wall Mount, 8 pages, obtained from www.sanus.com on or prior to Mar. 13, 2006.

Engineering Drawing for Southco Part No. CT-99-4333 dated May 5, 2008, manufactured by Southco.

* cited by examiner

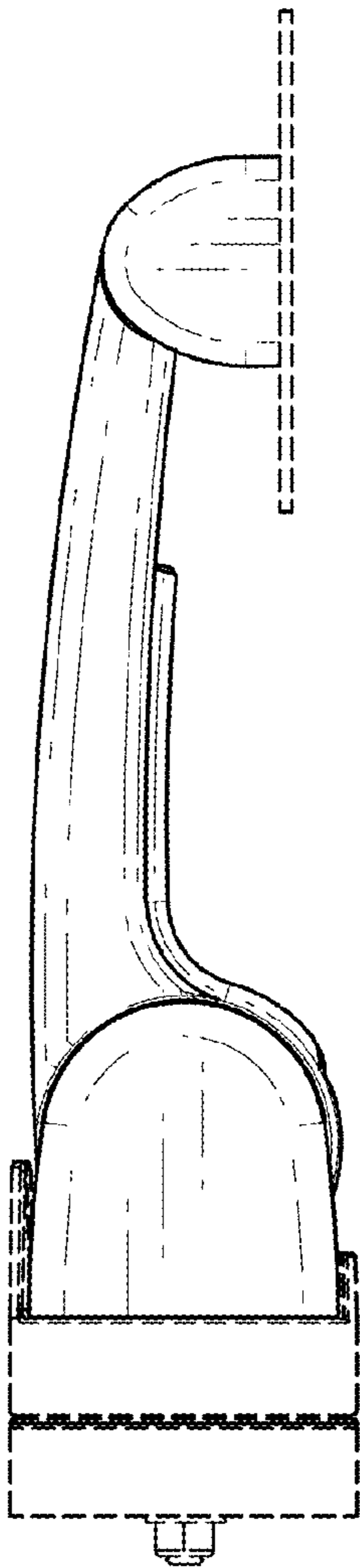


FIG. 1

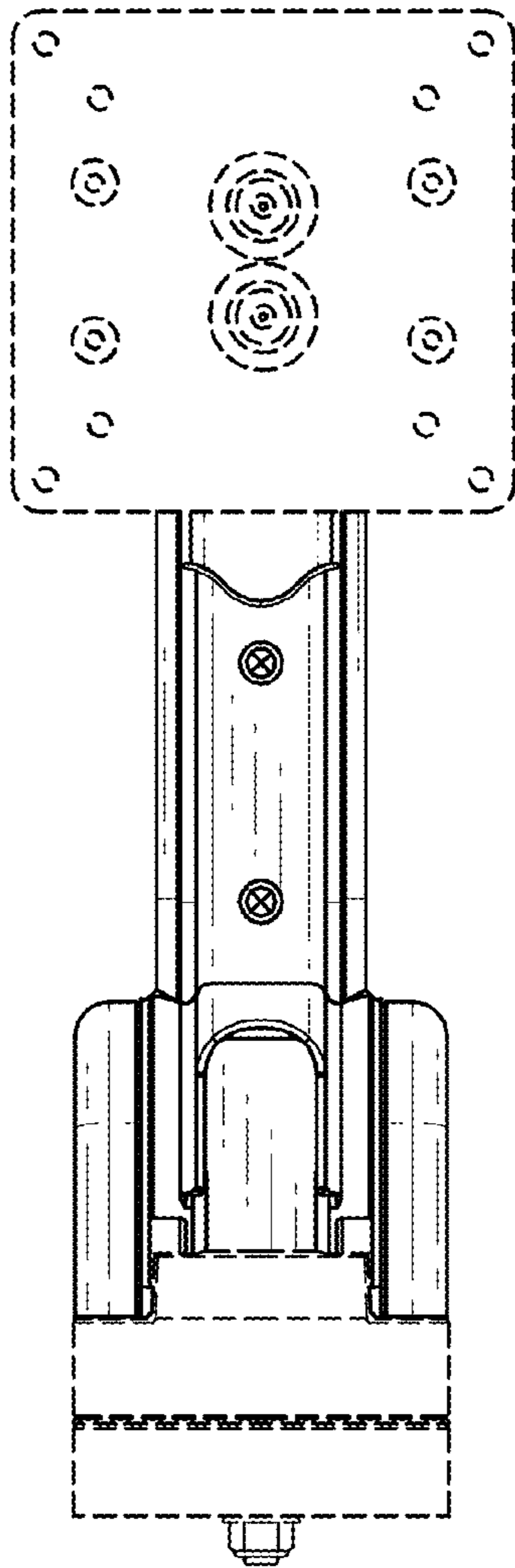


FIG. 2

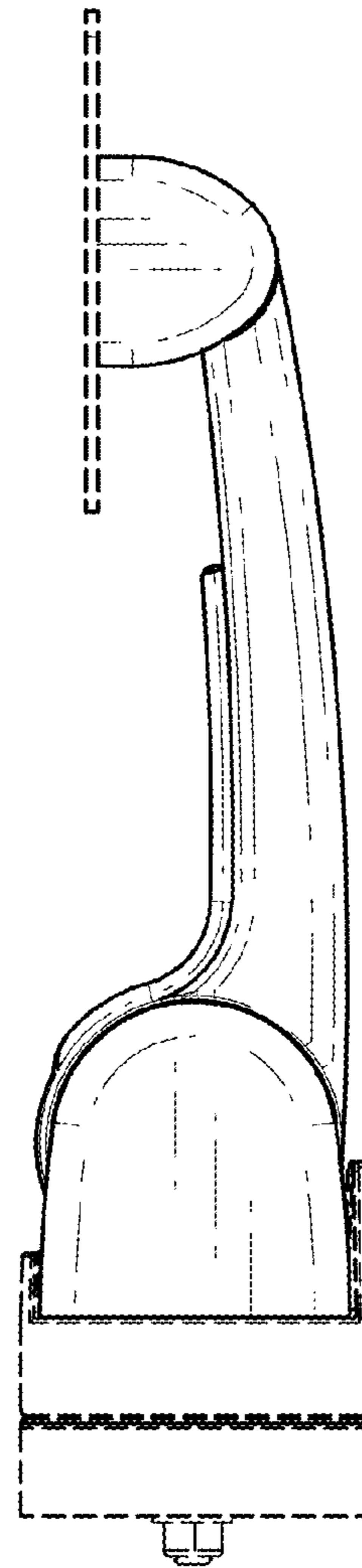


FIG. 3

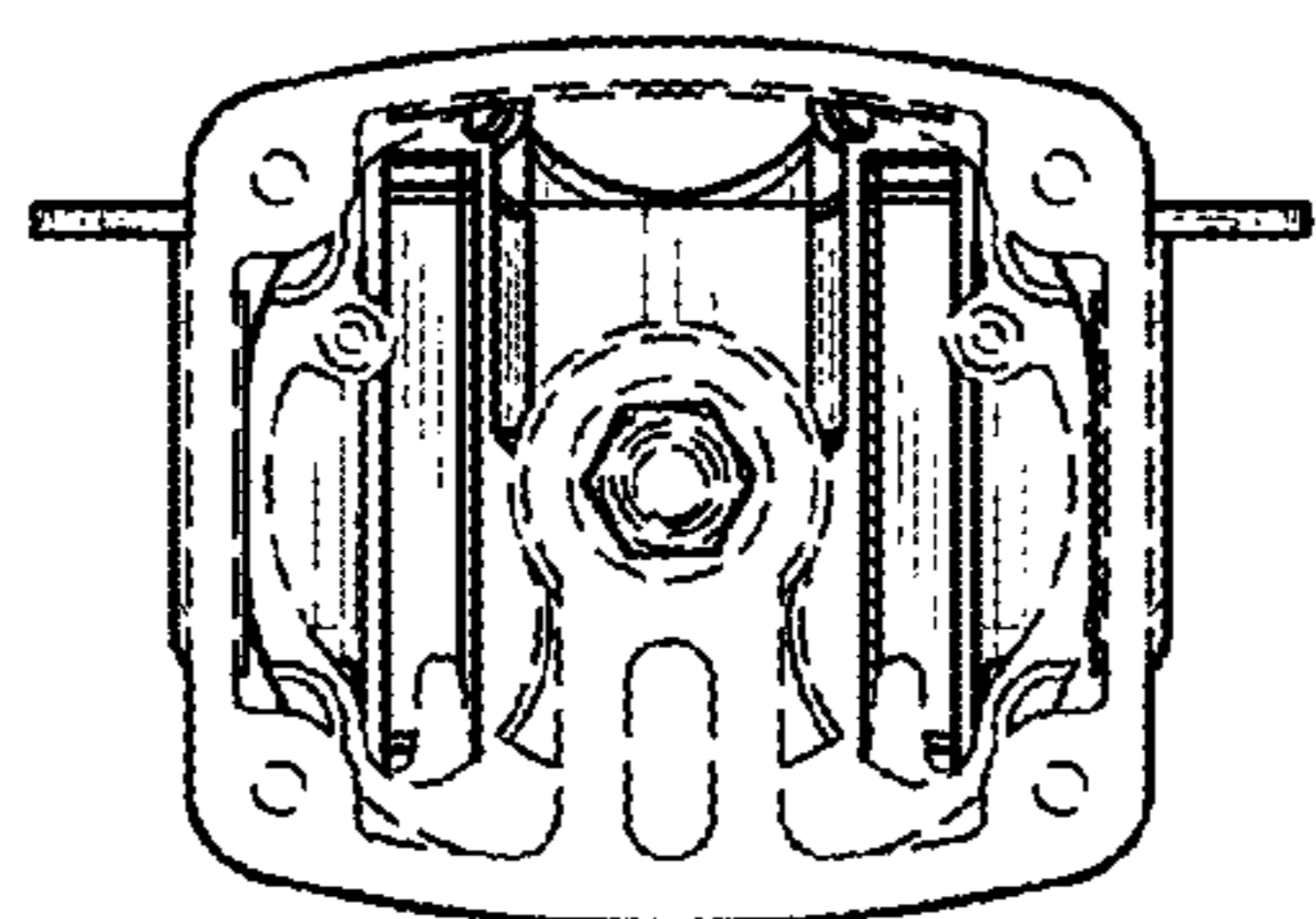


FIG. 4

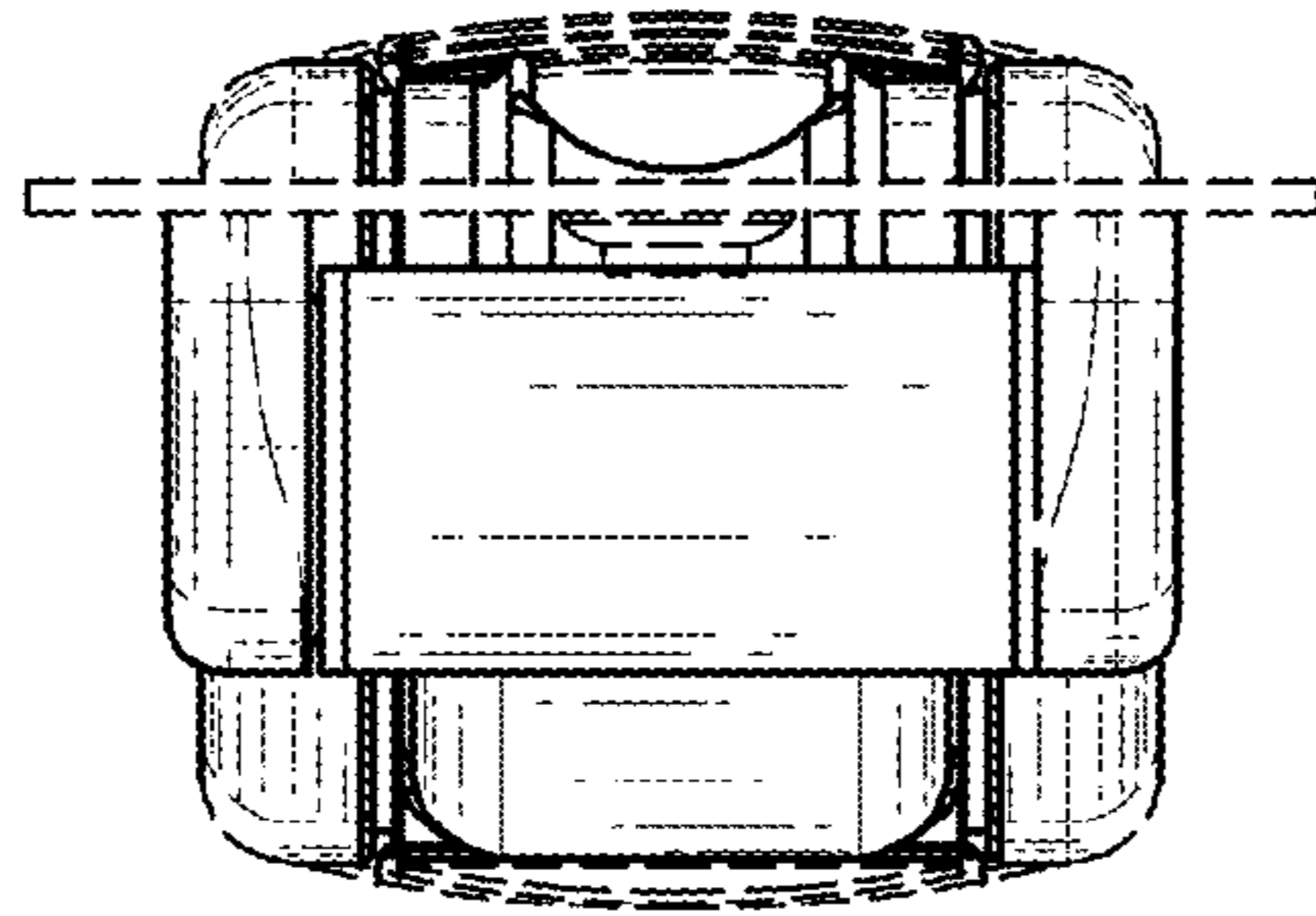


FIG. 5

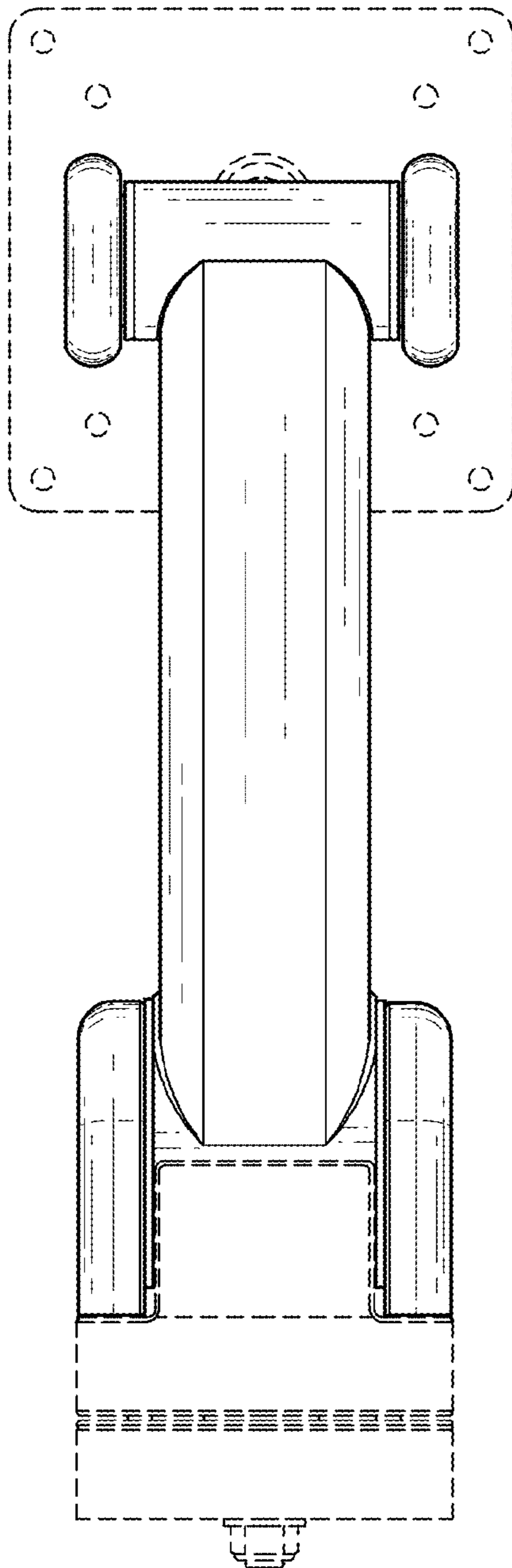


FIG. 6

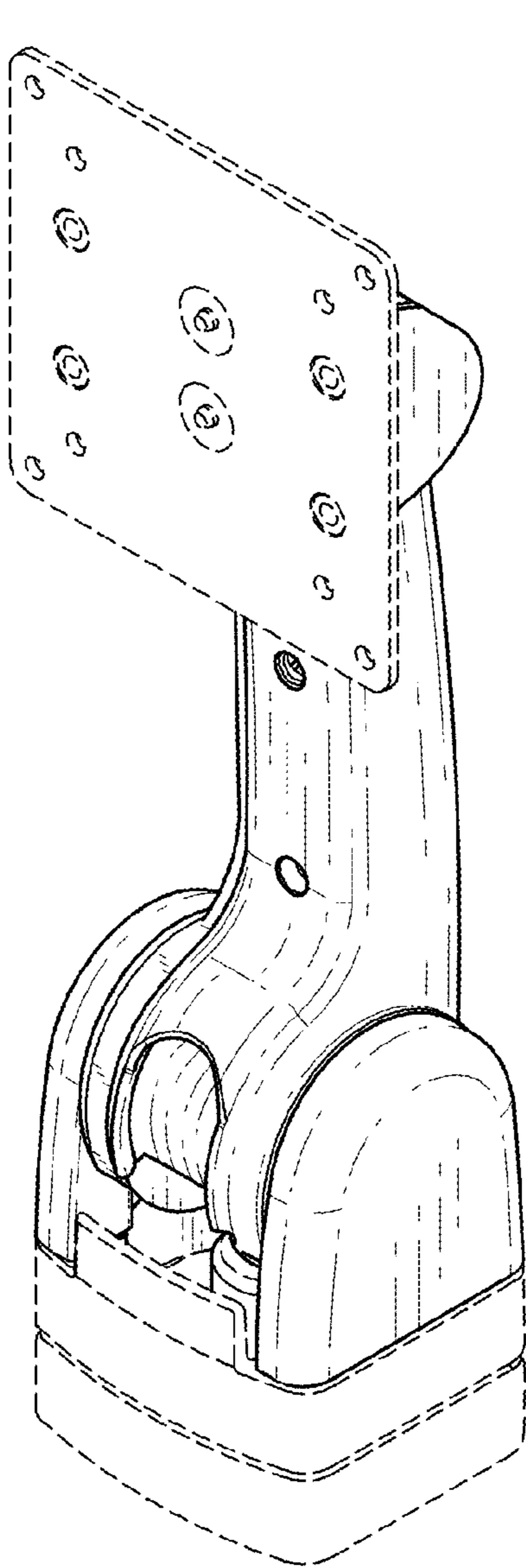


FIG. 7

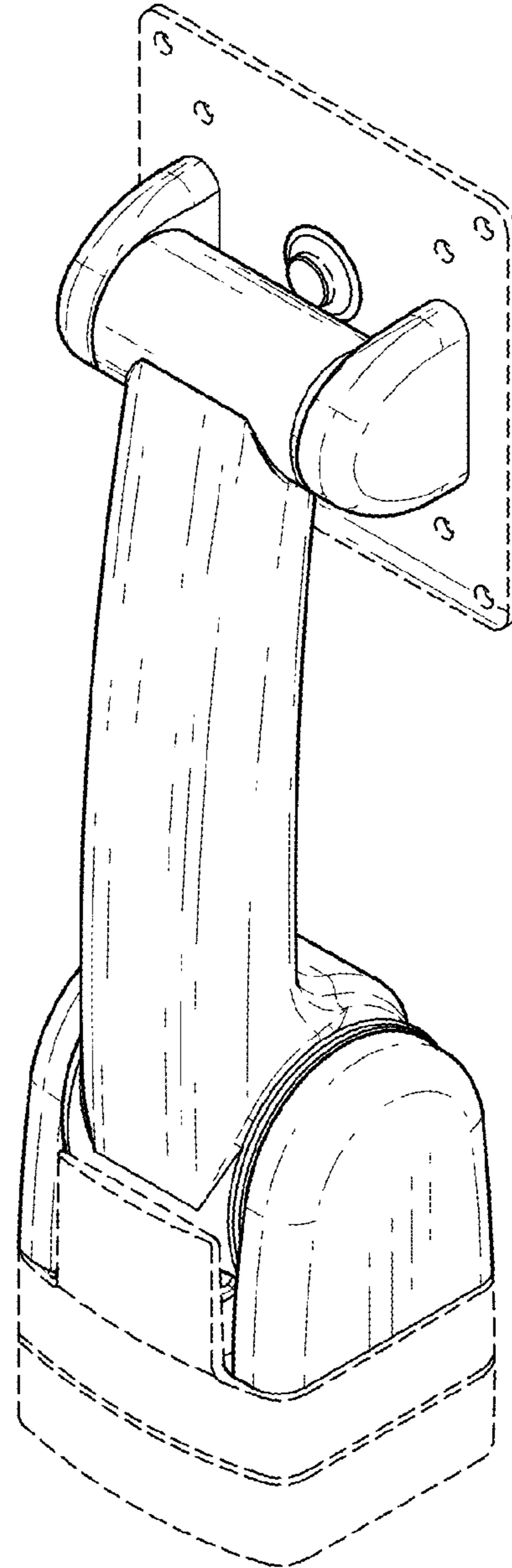


FIG. 8

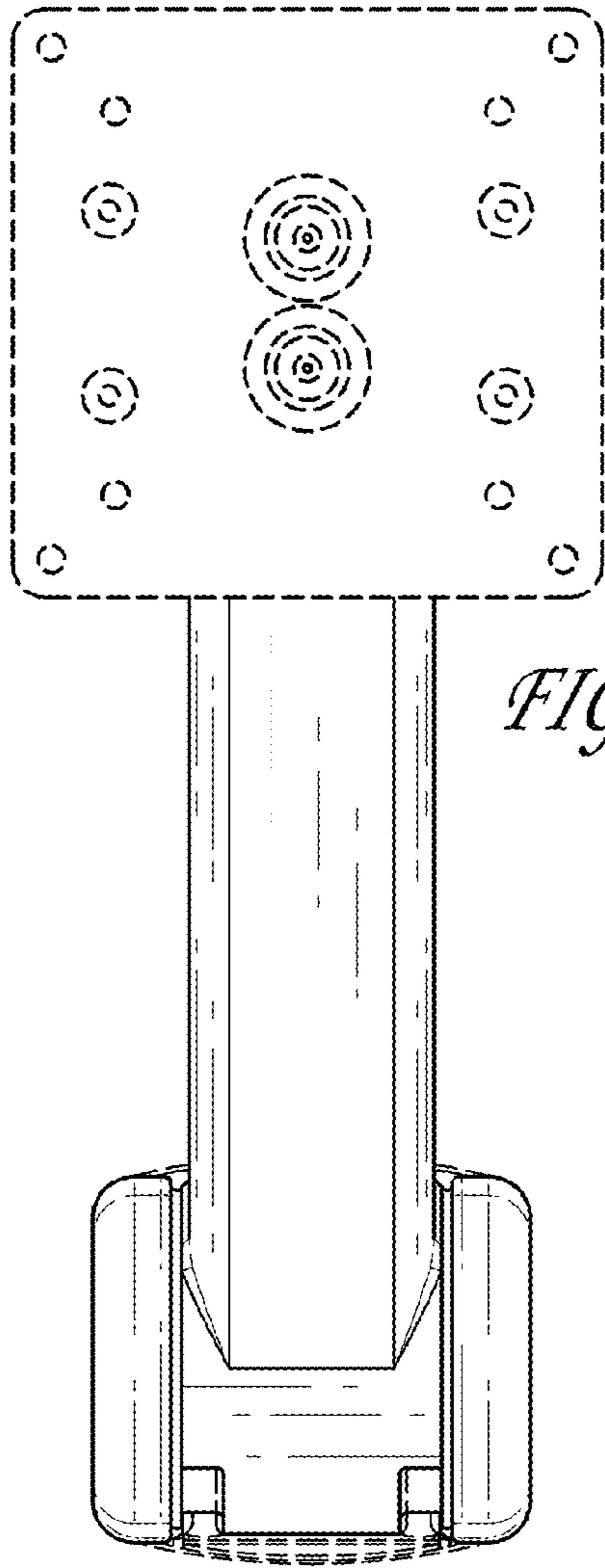


FIG. 9

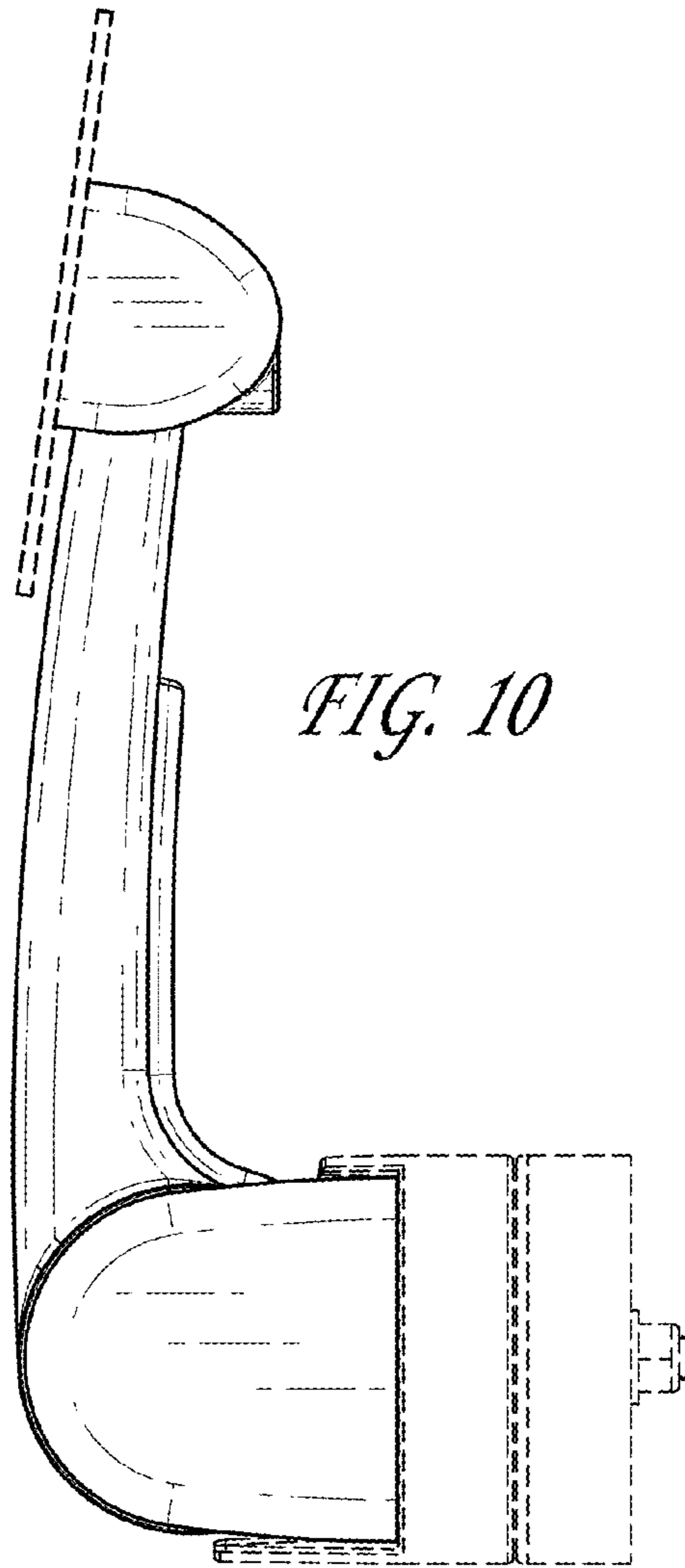


FIG. 10

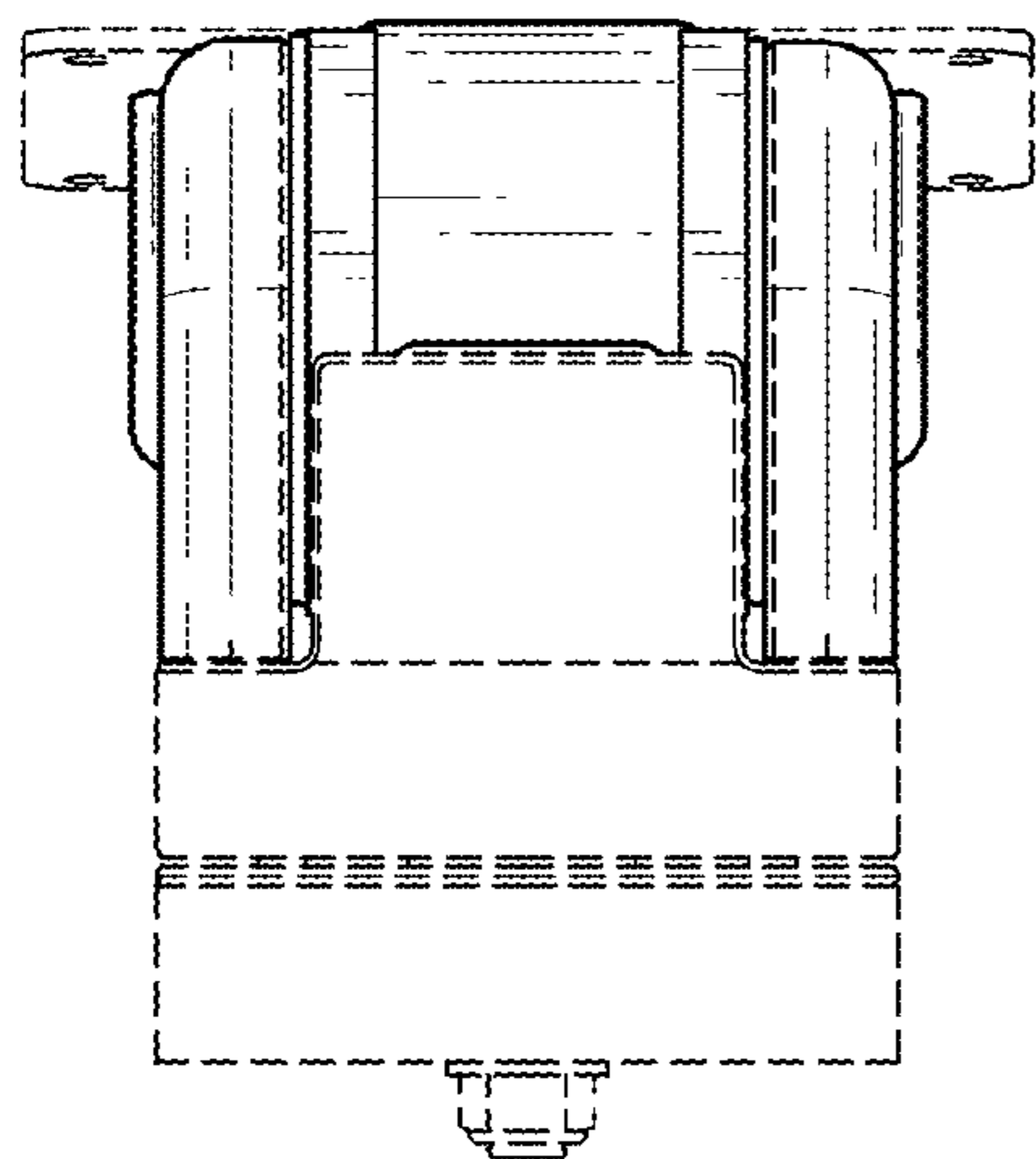


FIG. 11

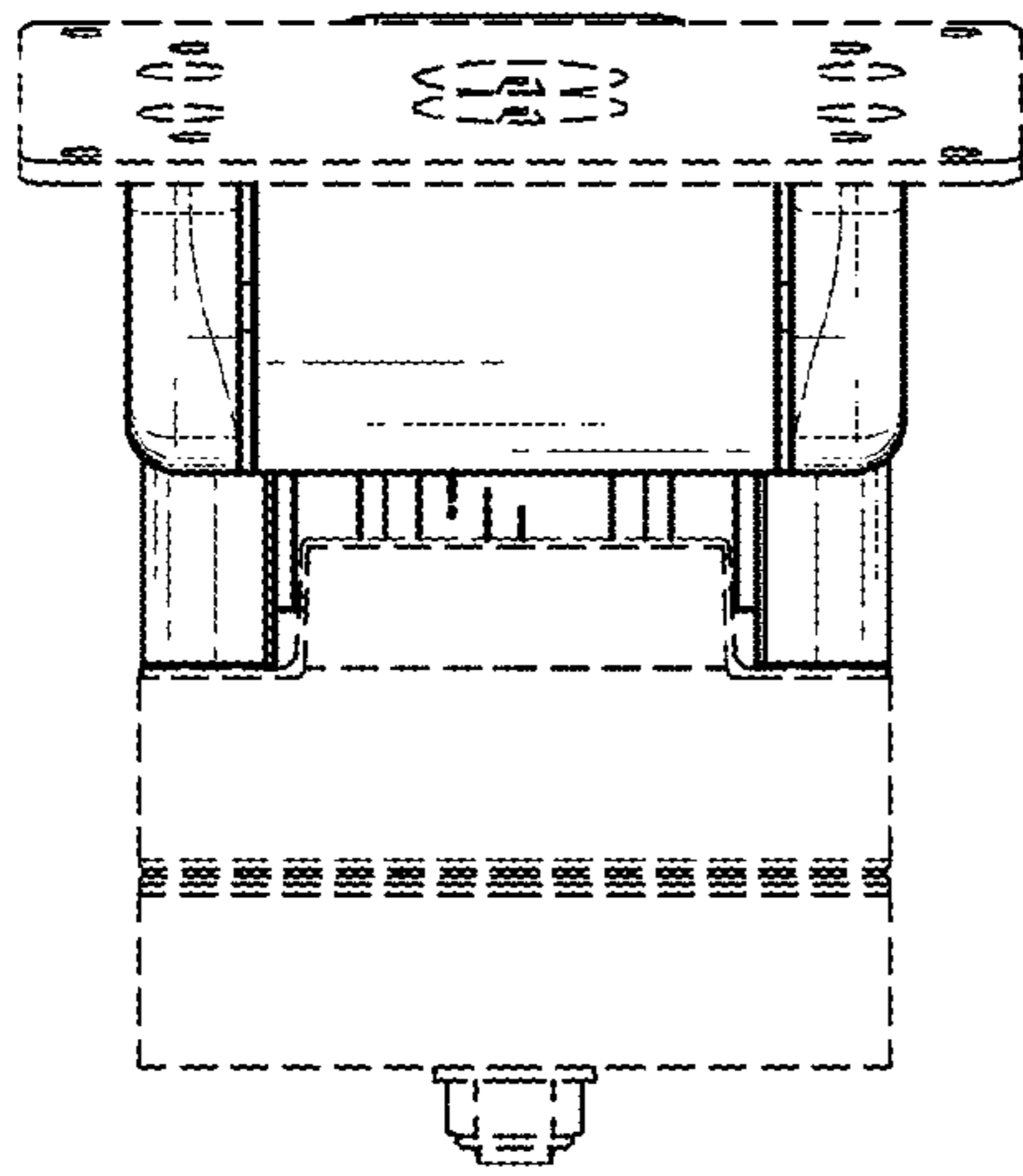


FIG. 12

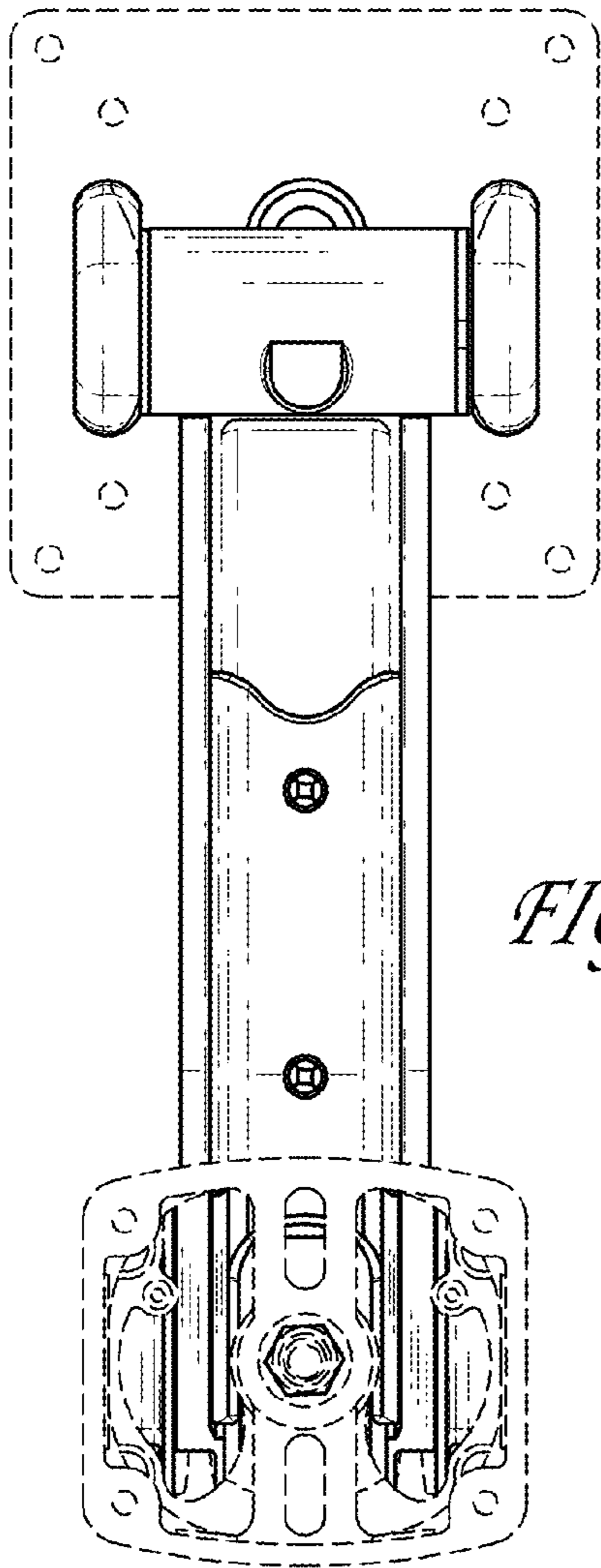


FIG. 13

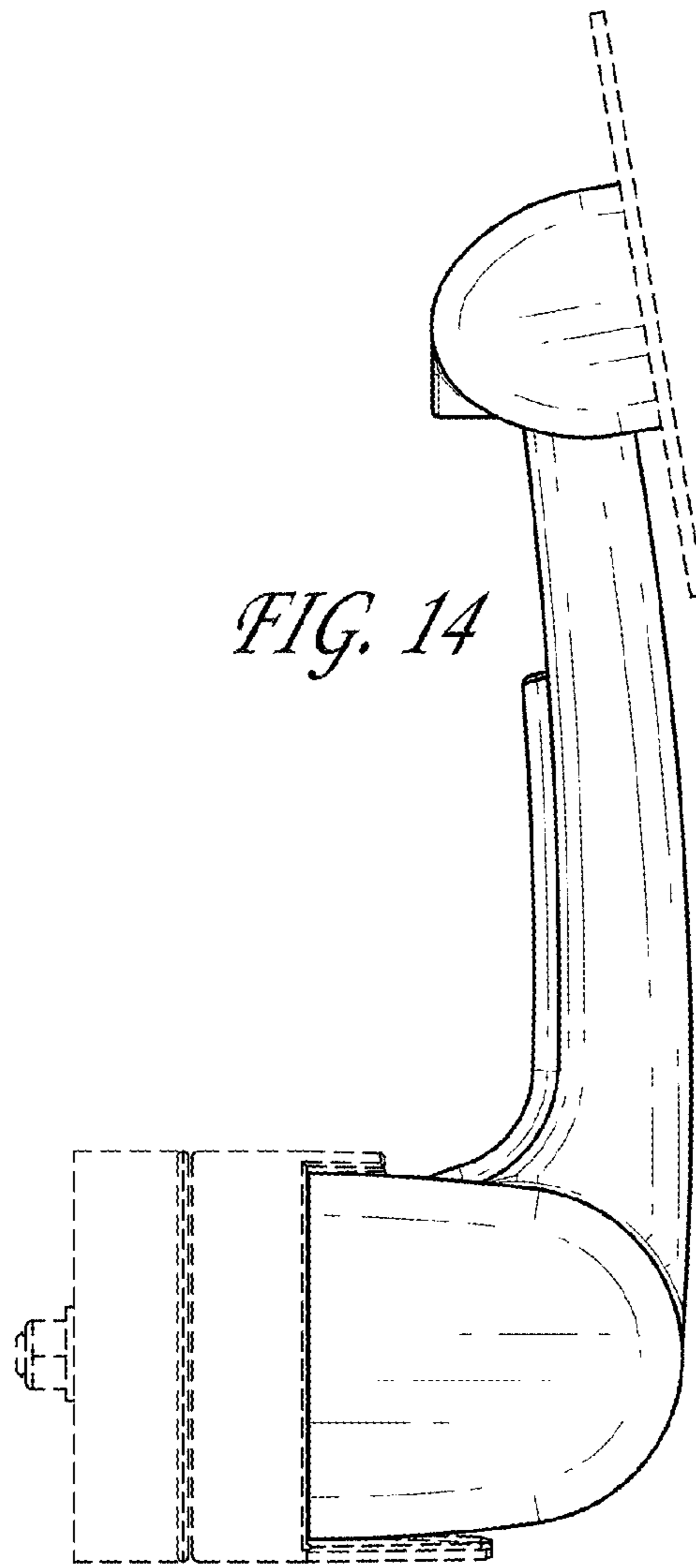


FIG. 14

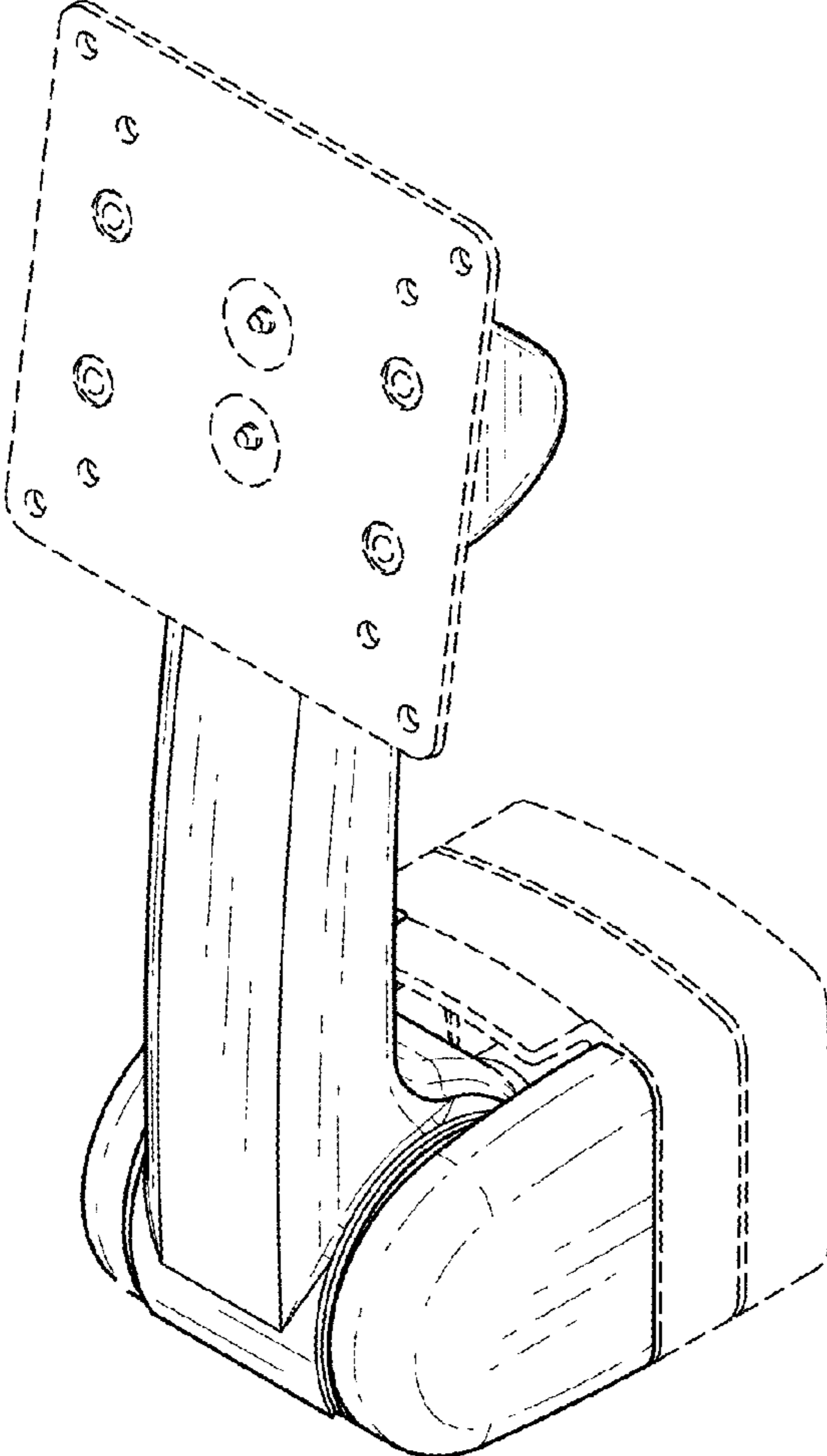


FIG. 15

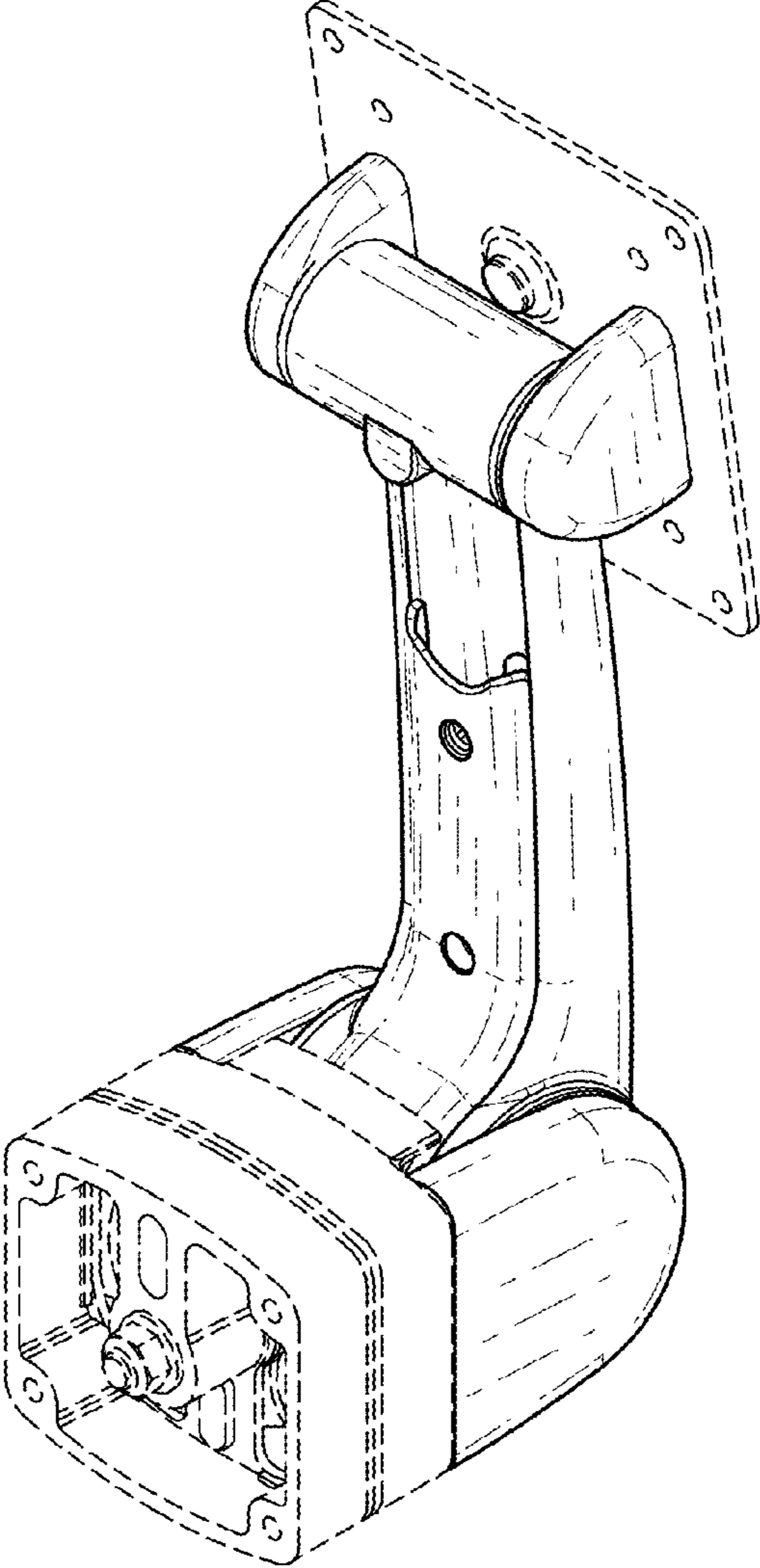


FIG. 16