



US00D682257S

(12) **United States Design Patent**  
**Zheng et al.**

(10) **Patent No.:** **US D682,257 S**  
(45) **Date of Patent:** **\*\* May 14, 2013**

(54) **EARPHONE**

(75) Inventors: **Qi Zheng**, Tokyo (JP); **Rui Morisawa**, Tokyo (JP); **Tomotsugu Minamikawa**, Tokyo (JP); **Jun Komiyama**, Tokyo (JP); **Taichi Nokuo**, Tokyo (JP)

(73) Assignee: **Sony Corporation**, Tokyo (JP)

(\*\*) Term: **14 Years**

(21) Appl. No.: **29/421,744**

(22) Filed: **Sep. 13, 2012**

**Related U.S. Application Data**

(63) Continuation of application No. 29/371,938, filed on Feb. 1, 2012, now Pat. No. Des. 669,057.

(30) **Foreign Application Priority Data**

Aug. 2, 2011 (JP) ..... D2011-017731  
Aug. 2, 2011 (JP) ..... D2011-017732  
Aug. 12, 2011 (CN) ..... 2011 3 0269422  
Aug. 12, 2011 (CN) ..... 2011 3 0270343  
Aug. 26, 2011 (JP) ..... D2011-019350  
Aug. 26, 2011 (JP) ..... D2011-019595  
Aug. 31, 2011 (CN) ..... 2011 3 0302002

(51) **LOC (9) Cl.** ..... **14-01**

(52) **U.S. Cl.**  
USPC ..... **D14/223**

(58) **Field of Classification Search** ..... D14/223;  
181/129, 130, 131; 381/380, 381, 328, 324;  
379/430, 433; D24/174; 455/90.3, 575.1  
See application file for complete search history.

(56) **References Cited**

**U.S. PATENT DOCUMENTS**

2,641,327 A 6/1953 Donald  
D242,724 S 12/1976 Brodie

4,020,297 A 4/1977 Brodie  
4,617,431 A 10/1986 Scott et al.  
D311,521 S 10/1990 Jonsson et al.  
5,412,736 A 5/1995 Keliiliki  
D375,959 S 11/1996 Davis et al.  
5,625,171 A 4/1997 Marshall  
5,761,298 A 6/1998 Davis et al.  
D403,327 S 12/1998 Landreth et al.  
6,104,824 A 8/2000 Ito  
D441,739 S 5/2001 Hayes et al.  
D457,156 S 5/2002 Nguyen  
D474,178 S 5/2003 Eroma  
D501,196 S 1/2005 Dyer et al.  
7,003,127 B1 \* 2/2006 Sjursen et al. .... 381/322  
7,010,137 B1 \* 3/2006 Leedom et al. .... 381/328  
7,089,042 B2 8/2006 Bodley  
7,092,543 B1 \* 8/2006 Mahoney et al. .... 381/328  
D555,152 S \* 11/2007 Wang ..... D14/223  
D556,740 S 12/2007 Xavier  
D558,110 S 12/2007 Ozeki et al.

(Continued)

*Primary Examiner* — Paula Greene

(74) *Attorney, Agent, or Firm* — Rader, Fishman & Grauer PLLC

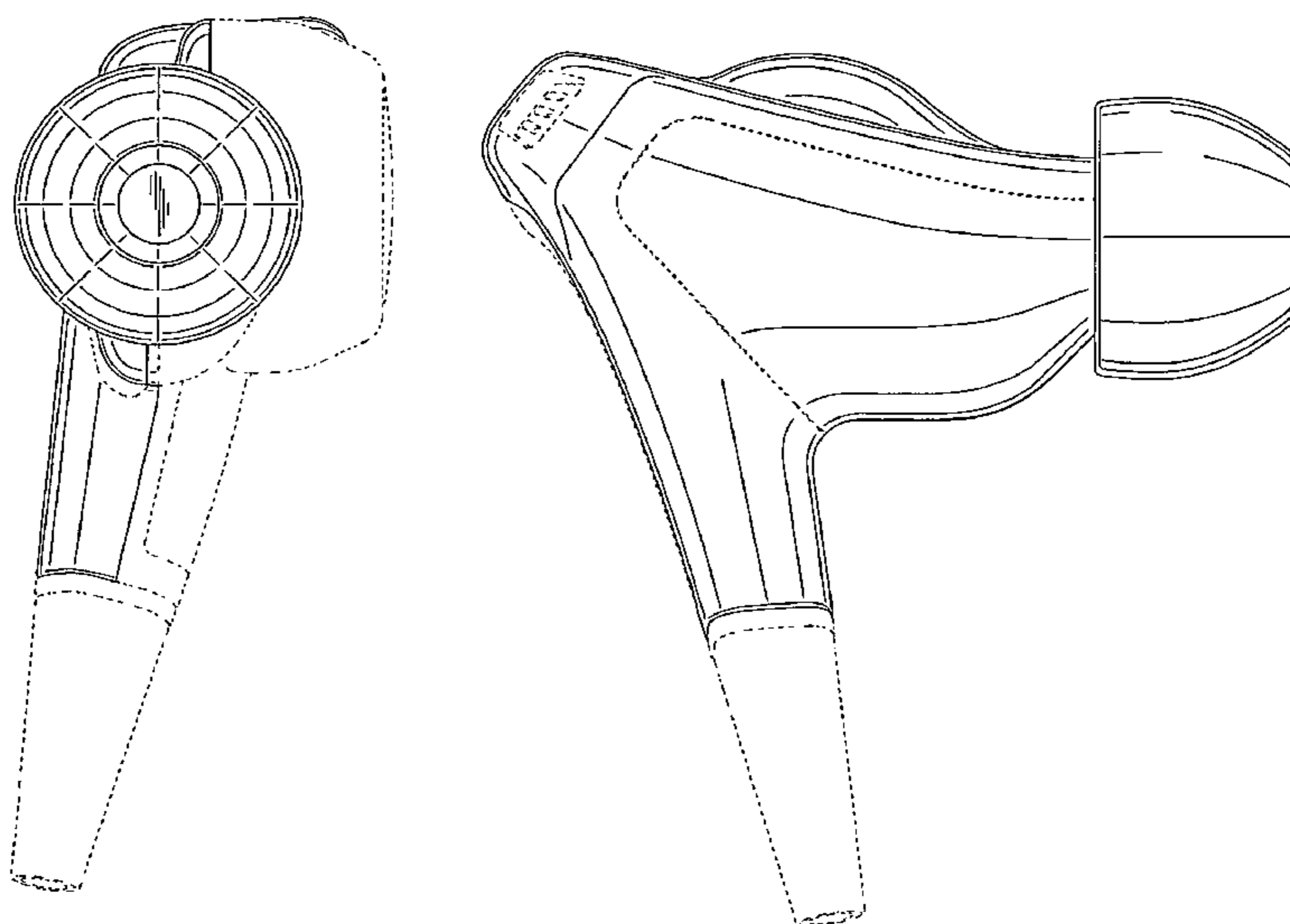
(57) **CLAIM**

The ornamental design for an earphone, as shown and described.

**DESCRIPTION**

FIG. 1 is a perspective view of an earphone showing our new design;  
FIG. 2 is a front elevational view thereof;  
FIG. 3 is a rear elevational view thereof;  
FIG. 4 is a left side elevational view thereof;  
FIG. 5 is a right side elevational view thereof;  
FIG. 6 is a top plan view thereof; and,  
FIG. 7 is a bottom plan view thereof.  
The portions indicated in broken lines are for illustrative purposes only and form no part of the claimed design.

**1 Claim, 5 Drawing Sheets**



# US D682,257 S

Page 2

## U.S. PATENT DOCUMENTS

D565,557 S	4/2008	Kaneda	
D567,217 S *	4/2008	Kamo et al. ....	D14/205
D575,772 S	8/2008	Schultz et al.	
D581,395 S	11/2008	Sade et al.	
D587,249 S *	2/2009	Densho .....	D14/223
7,522,743 B2 *	4/2009	Dobras et al. ....	381/381
7,542,582 B2 *	6/2009	Connors et al. ....	381/381
7,570,777 B1 *	8/2009	Taenzer et al. ....	381/381
D610,129 S *	2/2010	Densho et al. ....	D14/223
7,708,110 B2	5/2010	Leong et al.	
D619,561 S	7/2010	Yang	
D624,529 S	9/2010	Huang	
D631,470 S *	1/2011	Yoneyama et al. ....	D14/223
D635,960 S	4/2011	Gondo et al.	
D639,787 S	6/2011	Quek	
D641,011 S *	7/2011	Gondo .....	D14/223
D643,418 S	8/2011	Lee et al.	
D645,454 S	9/2011	Quek	
D645,458 S	9/2011	Silvestri et al.	
D667,817 S *	9/2012	Otani .....	D14/223
D669,057 S *	10/2012	Zheng et al. ....	D14/223
D669,058 S *	10/2012	Lee et al. ....	D14/223
D670,274 S *	11/2012	Katsumata et al. ....	D14/223
2009/0141923 A1	6/2009	Smith	

\* cited by examiner

FIG.1

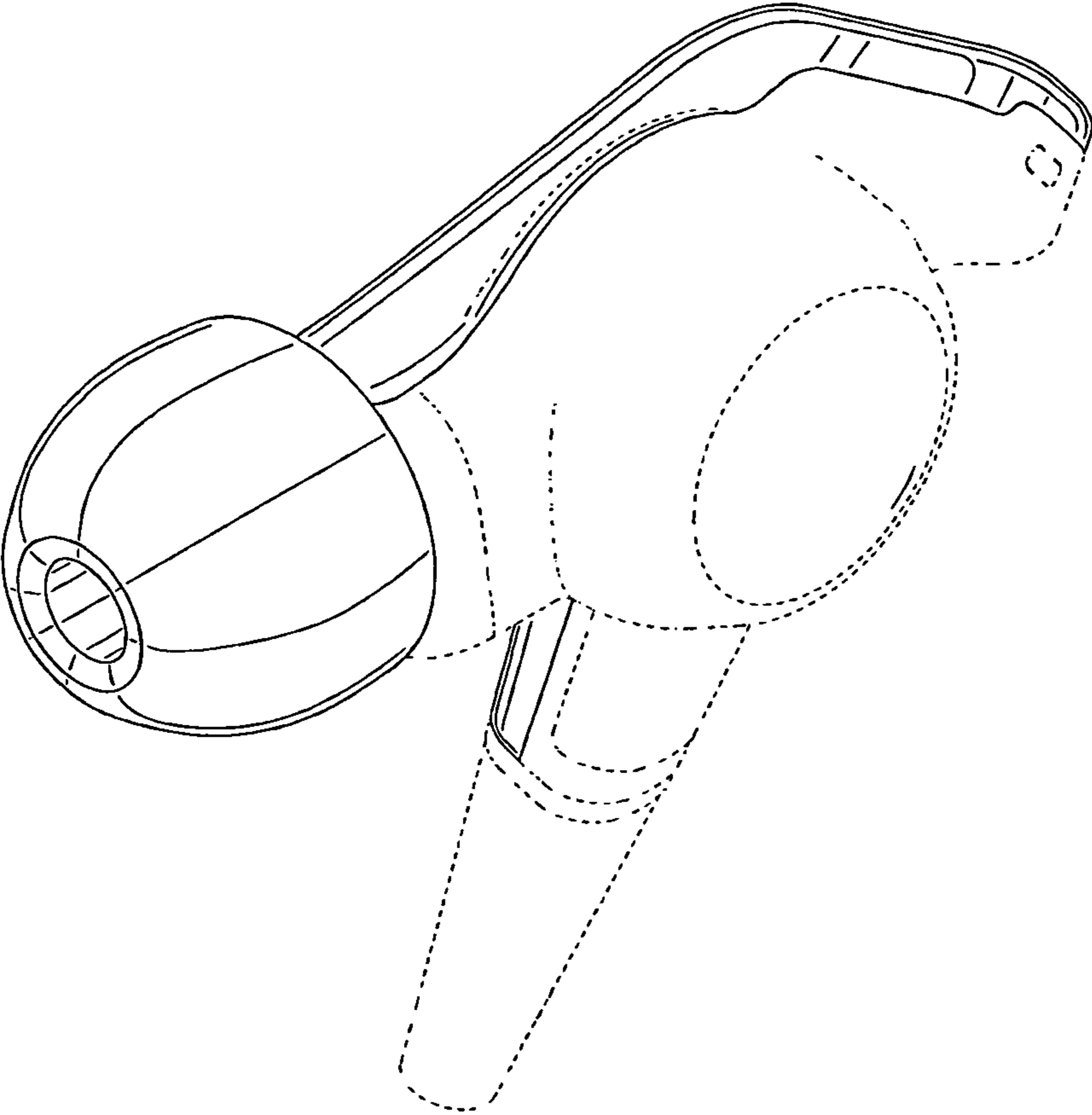


FIG.2

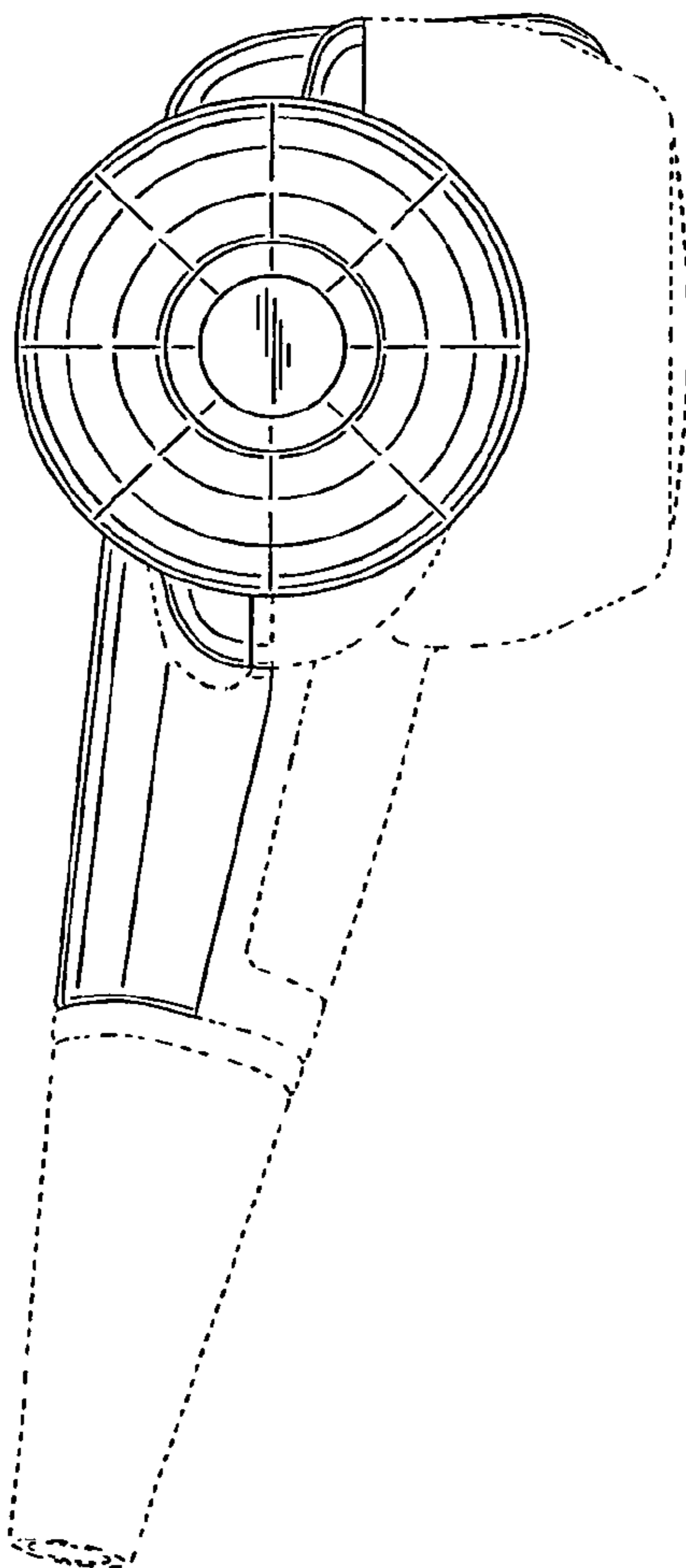


FIG.3

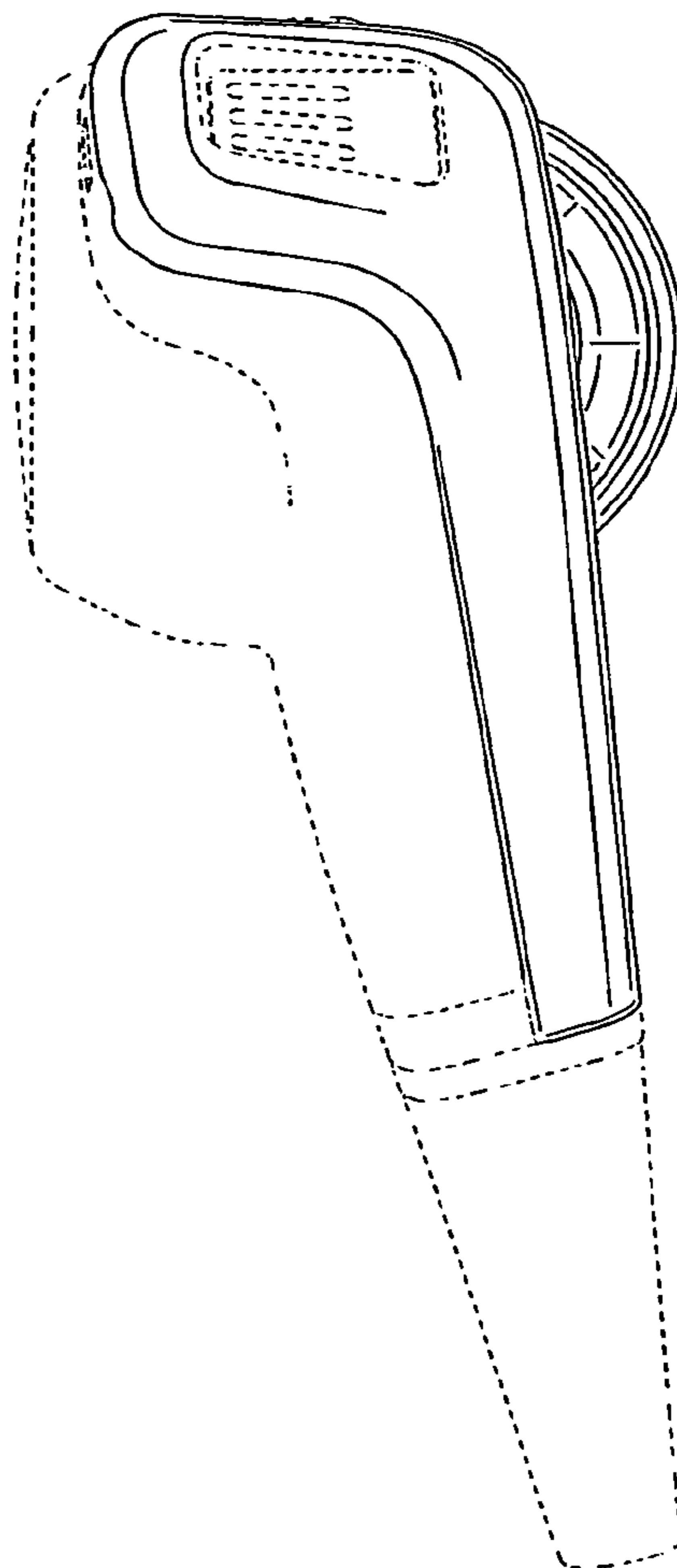


FIG.4

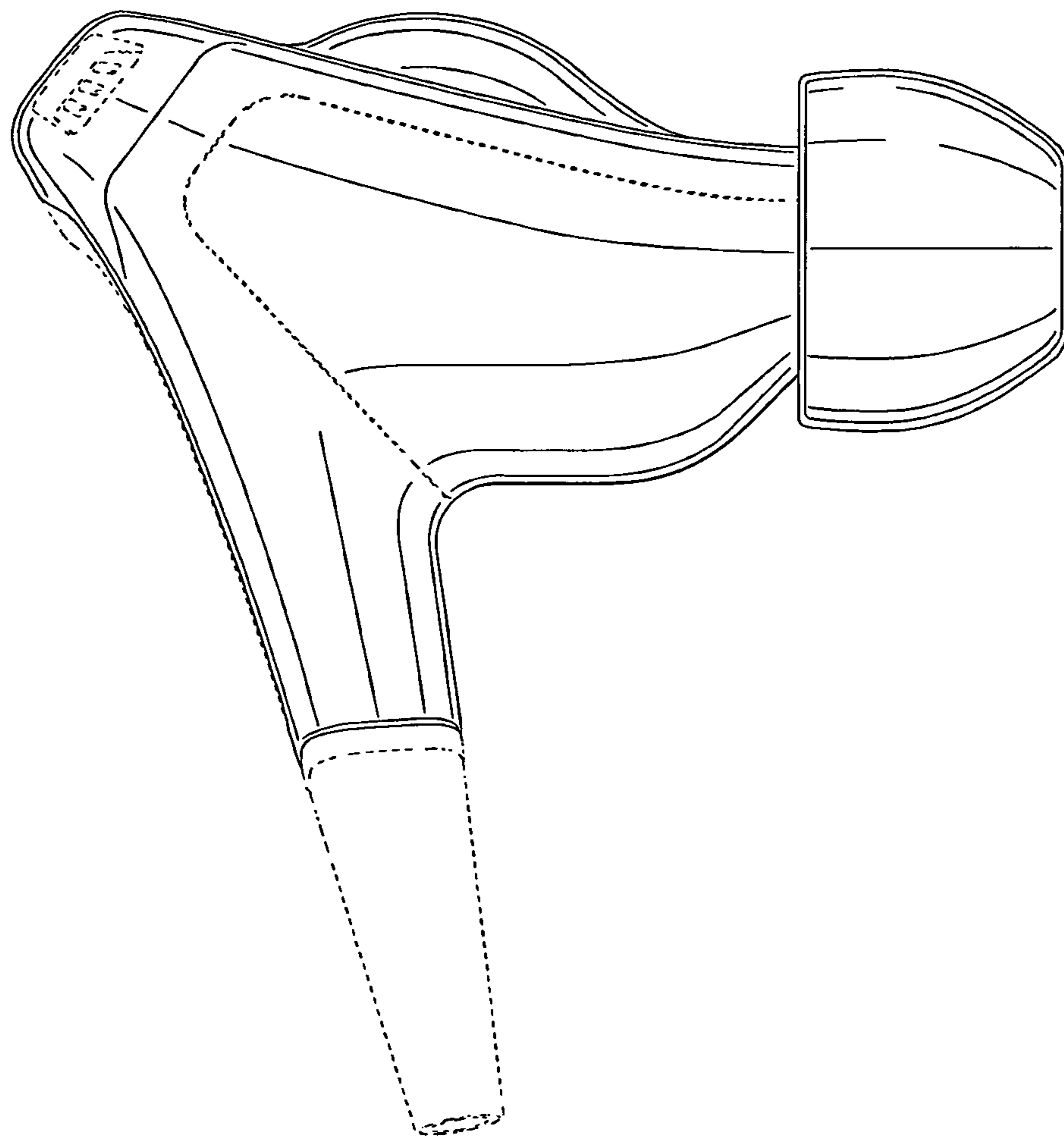


FIG.5

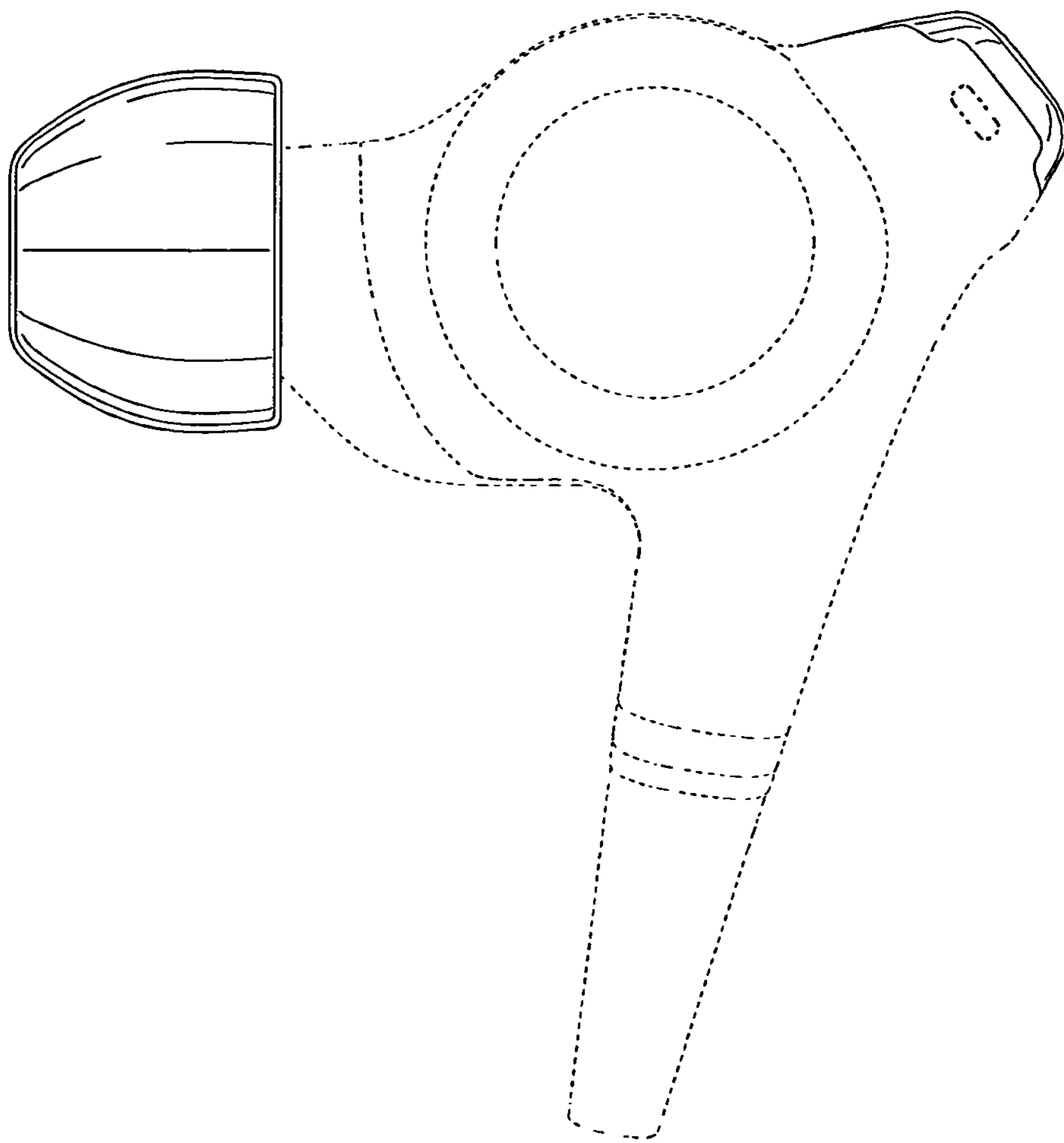


FIG.7

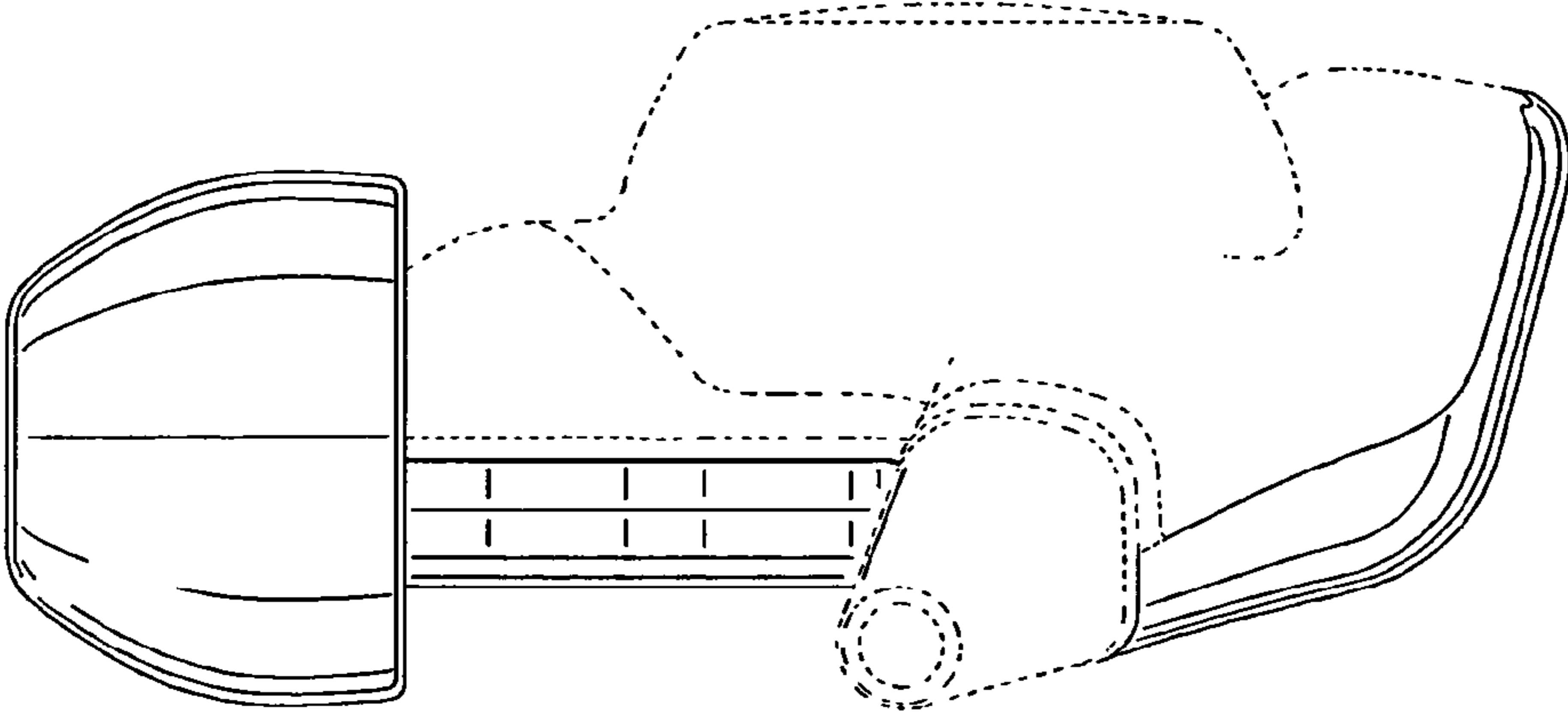


FIG.6

