



US00D682256S

(12) **United States Design Patent**
Murchison et al.

(10) **Patent No.:** **US D682,256 S**
(45) **Date of Patent:** **** May 14, 2013**

(54) **CLIP FOR A HEADSET**

(75) Inventors: **Ian James Murchison**, Toronto (CA);
Anders Fahrendorff, Ottawa (CA);
Todd Andrew Wood, Toronto (CA)

(73) Assignee: **Research In Motion Limited**, Waterloo,
Ontario (CA)

(**) Term: **14 Years**

(21) Appl. No.: **29/412,415**

(22) Filed: **Feb. 2, 2012**

(51) **LOC (9) Cl.** **14-01**

(52) **U.S. Cl.**

USPC **D14/223**

(58) **Field of Classification Search** D14/205,
D14/223, 253, 251; D3/218; 24/115 R, 3.1,
24/3.12, 3.11, 564; D8/395; 379/420.04

See application file for complete search history.

(56) **References Cited**

U.S. PATENT DOCUMENTS

2,918,713	A *	12/1959	Harper	24/561
3,061,263	A *	10/1962	Butler	251/9
3,182,368	A *	5/1965	Fair	24/347
3,942,228	A *	3/1976	Buckman et al.	251/4
4,277,863	A *	7/1981	Faneuf	24/3.12
4,828,153	A *	5/1989	Guzik et al.	224/242
D310,847	S *	9/1990	Dietz	D19/90
D313,934	S *	1/1991	Nakao et al.	D8/395
5,129,126	A *	7/1992	Huang	24/3.11
5,495,644	A *	3/1996	Meshner et al.	24/3.12
6,023,337	A *	2/2000	Schiff	356/400
6,283,348	B1 *	9/2001	Wang	224/271

D457,308	S *	5/2002	Infanti	D3/218
7,139,590	B2 *	11/2006	Liu et al.	455/557
D561,739	S *	2/2008	Ikeda et al.	D14/206
D566,537	S *	4/2008	Wen-Po	D8/395
D587,682	S *	3/2009	Miles	D14/205
D588,584	S *	3/2009	Park et al.	D14/226
D590,371	S *	4/2009	Leinvuo	D14/205
D594,225	S *	6/2009	Leung et al.	D3/218
D618,671	S *	6/2010	Hou	D14/223
7,778,435	B2 *	8/2010	Smith et al.	381/380
D623,048	S *	9/2010	Moy	D8/395
D625,704	S *	10/2010	Cheng	D14/205
D636,756	S *	4/2011	Fahrendorff et al.	D14/205
7,921,527	B2 *	4/2011	Moy	24/462
D659,673	S *	5/2012	Fahrendorff et al.	D14/205

* cited by examiner

Primary Examiner — Paula Greene

(57) **CLAIM**

We claim the ornamental design for a clip for a headset, as shown and described.

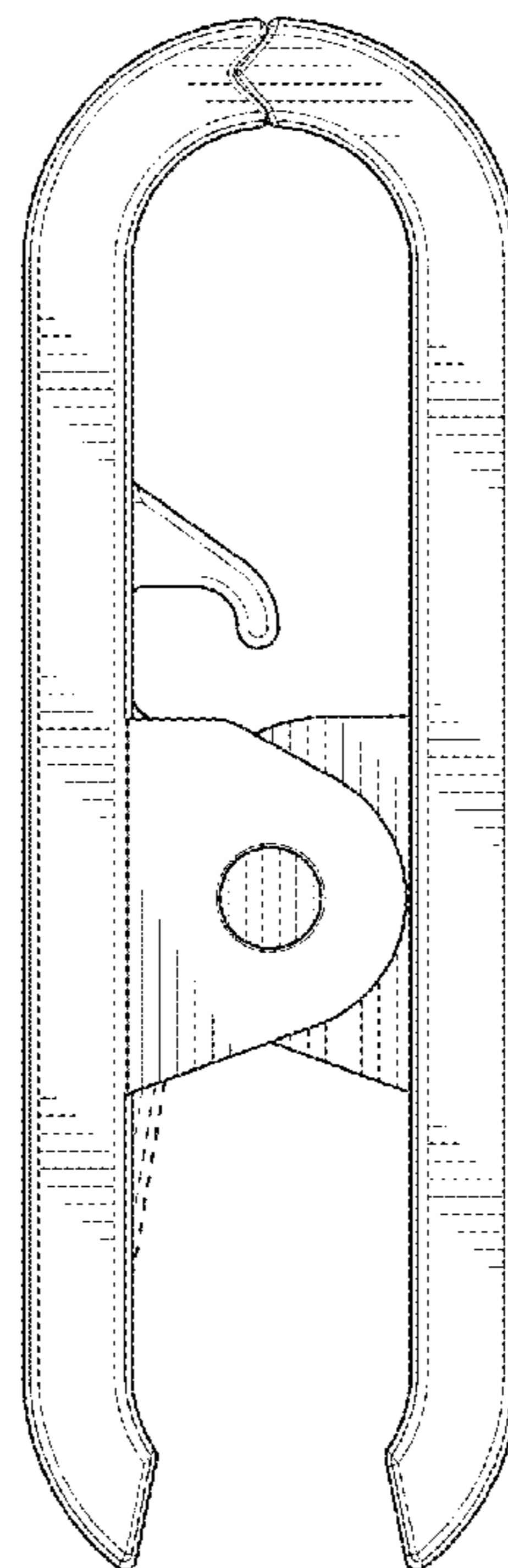
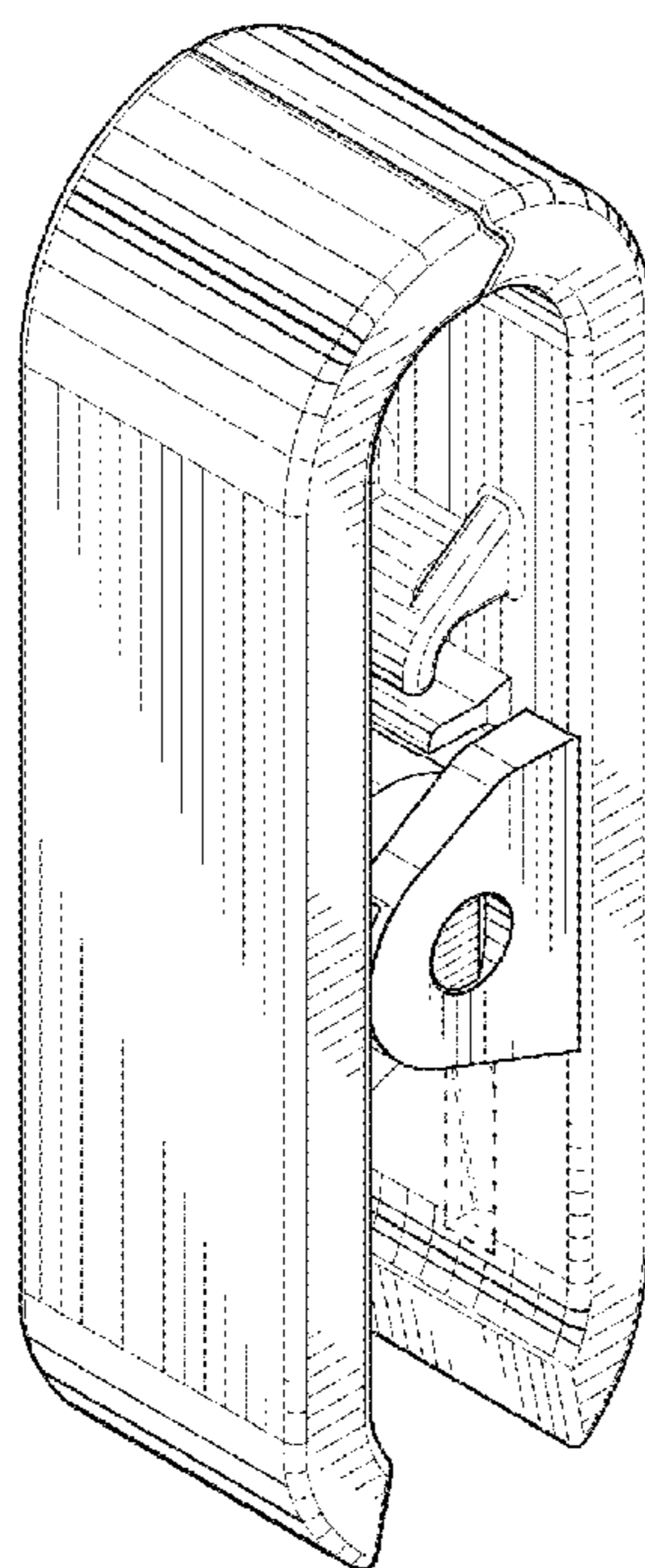
DESCRIPTION

FIG. 1 is a front perspective view of a clip for a headset;
FIG. 2 is a back bottom perspective view of the clip for a headset;

FIG. 3 is a front elevation view thereof;
FIG. 4 is a back elevation view thereof;
FIG. 5 is a left elevation view thereof;
FIG. 6 is a right elevation view thereof;
FIG. 7 is a top plan view thereof; and,
FIG. 8 is a bottom plan view thereof.

The broken lines shown in the Figures represent environmental structure and form no part of the claimed design.

1 Claim, 5 Drawing Sheets



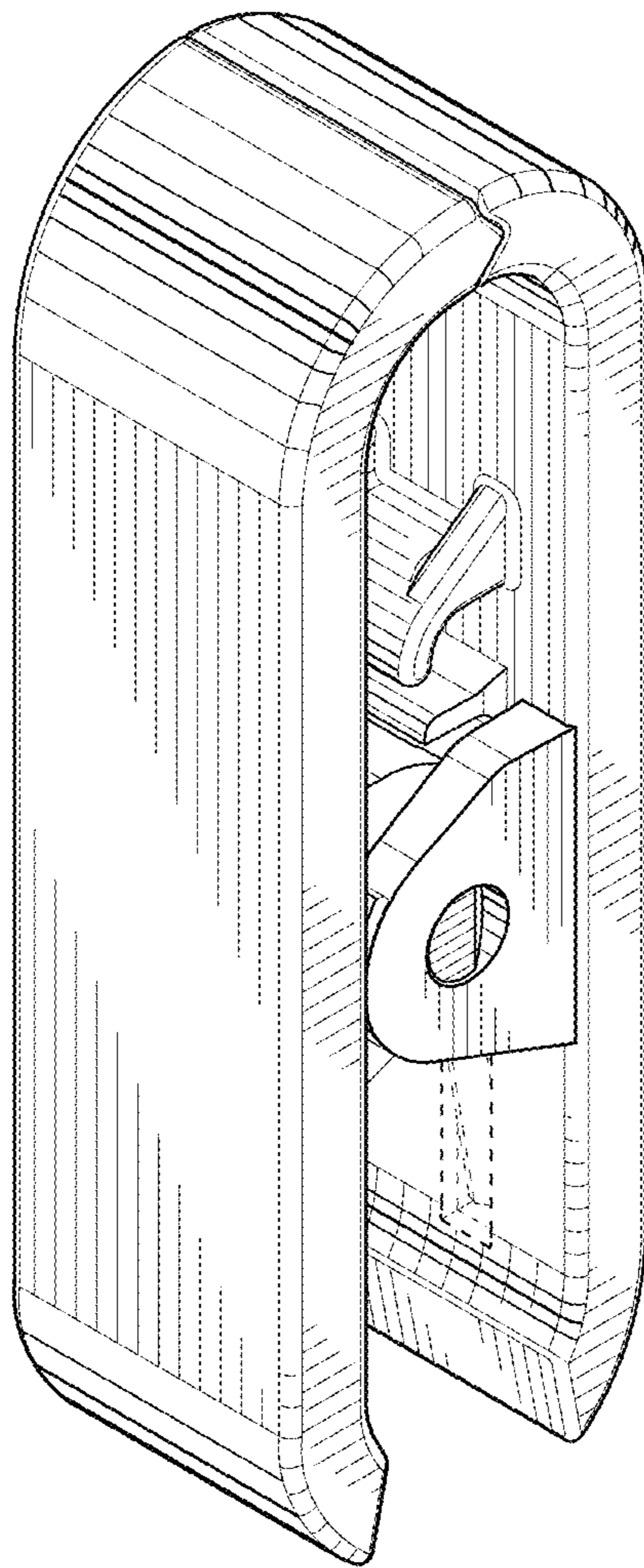


FIG. 1

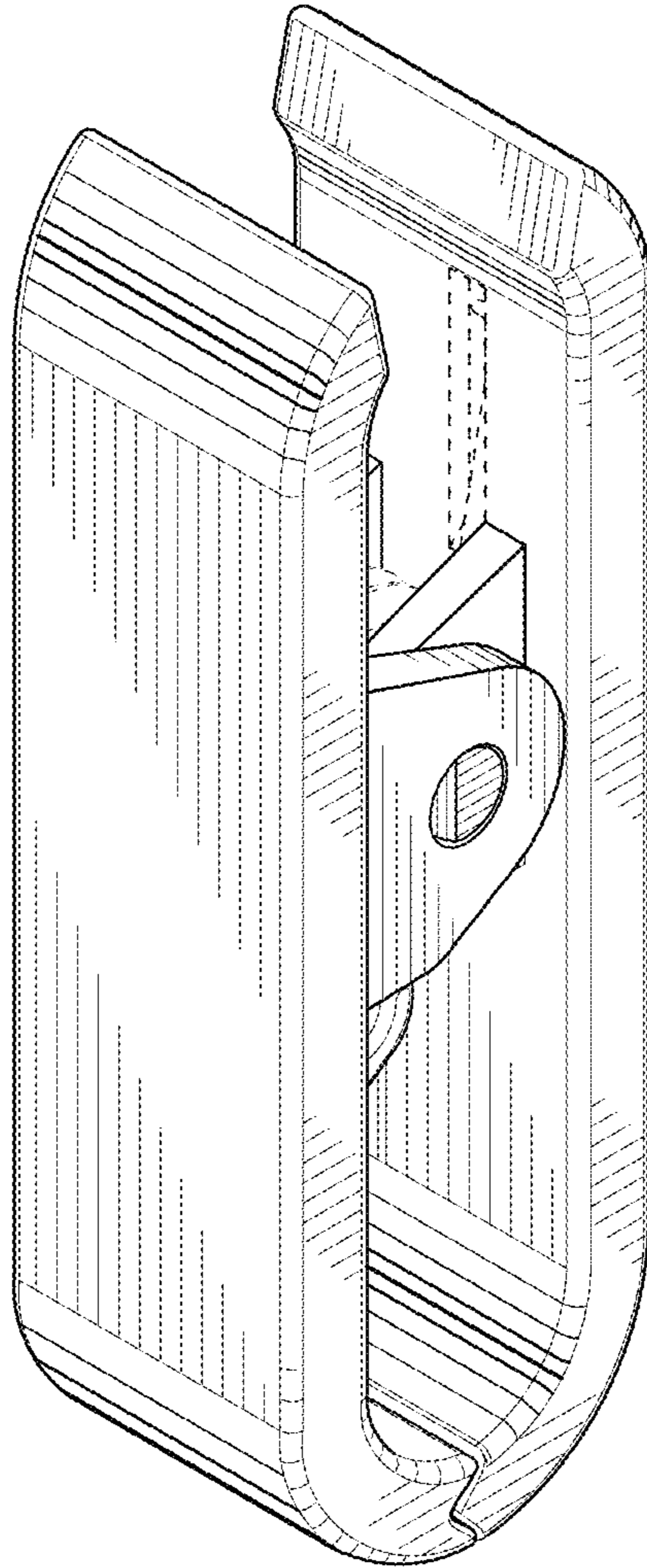


FIG.2

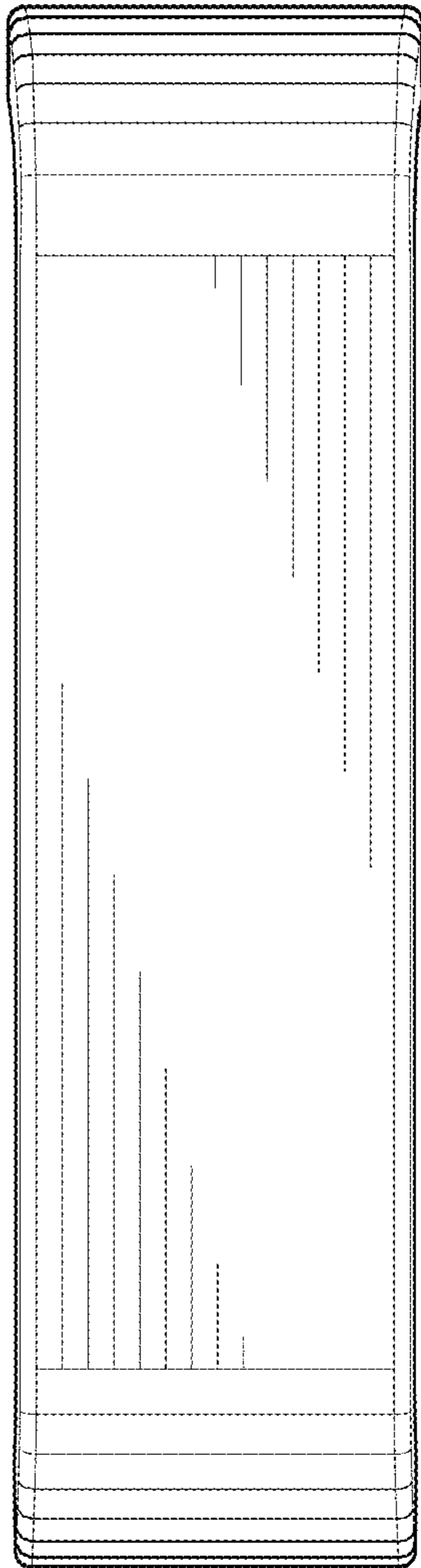


FIG. 3

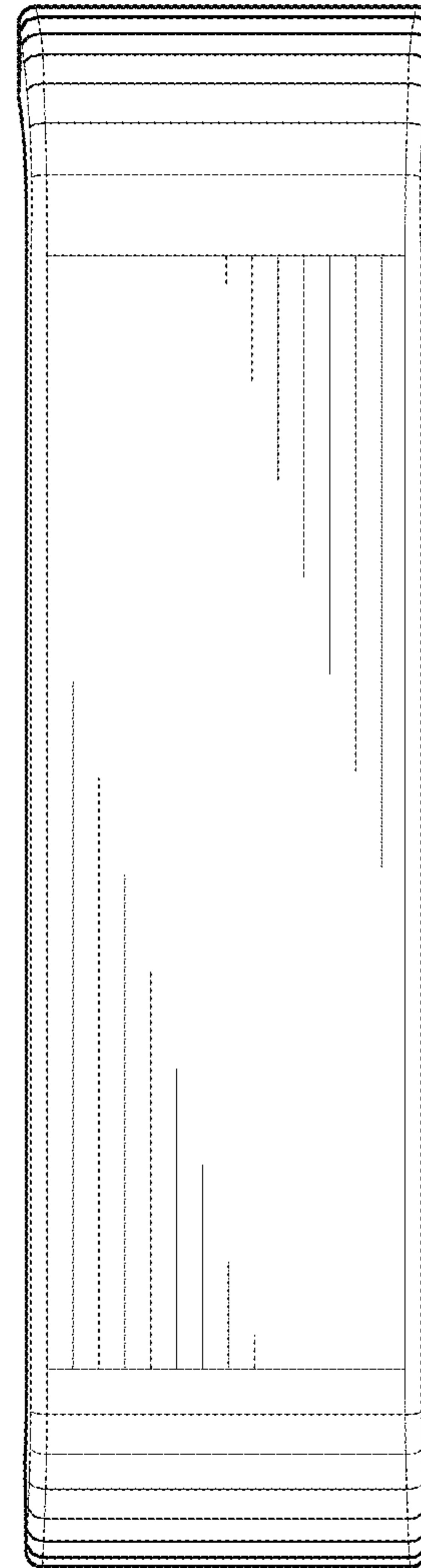


FIG. 4

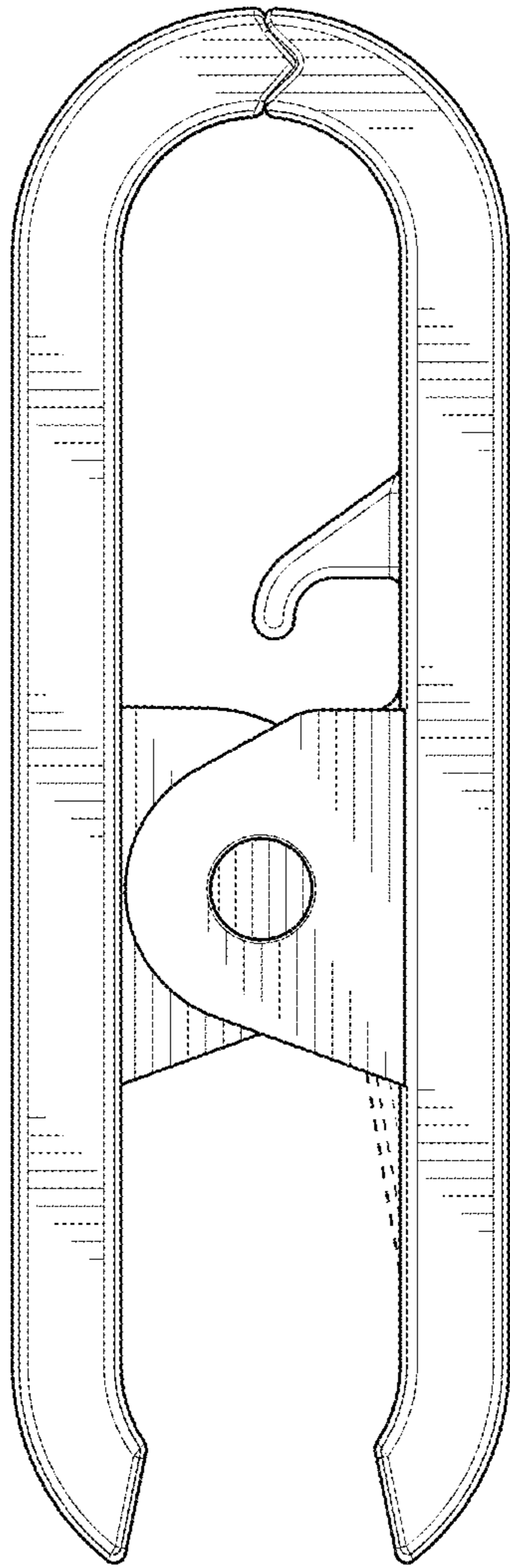


FIG. 5

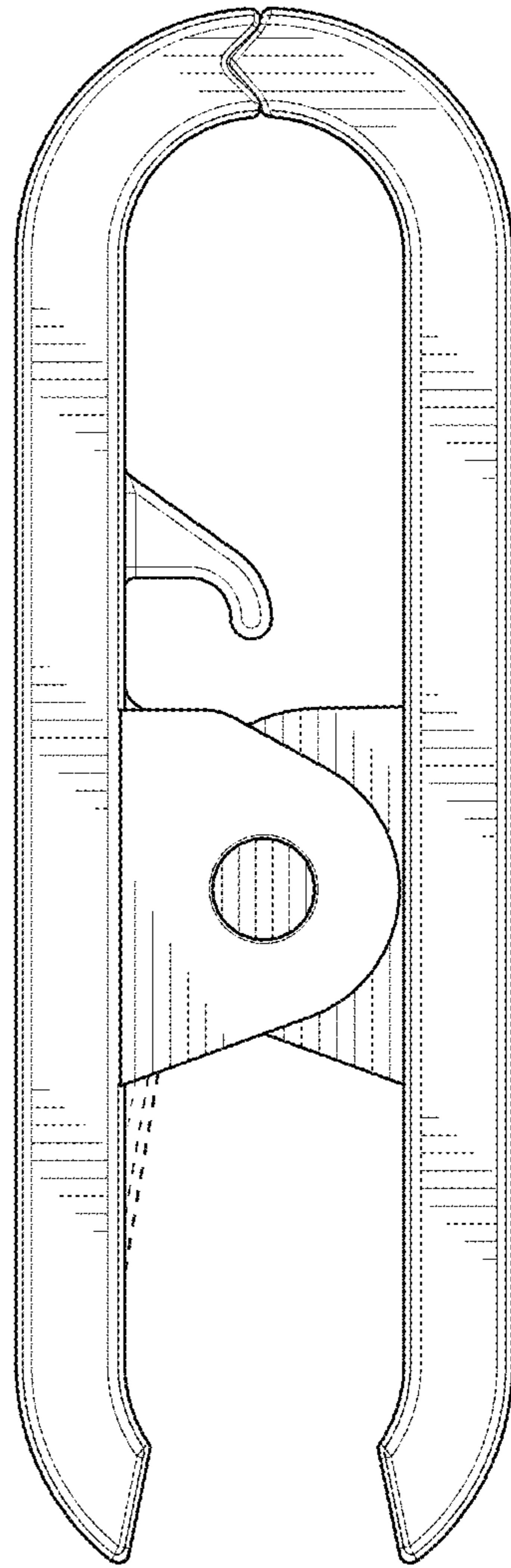


FIG. 6

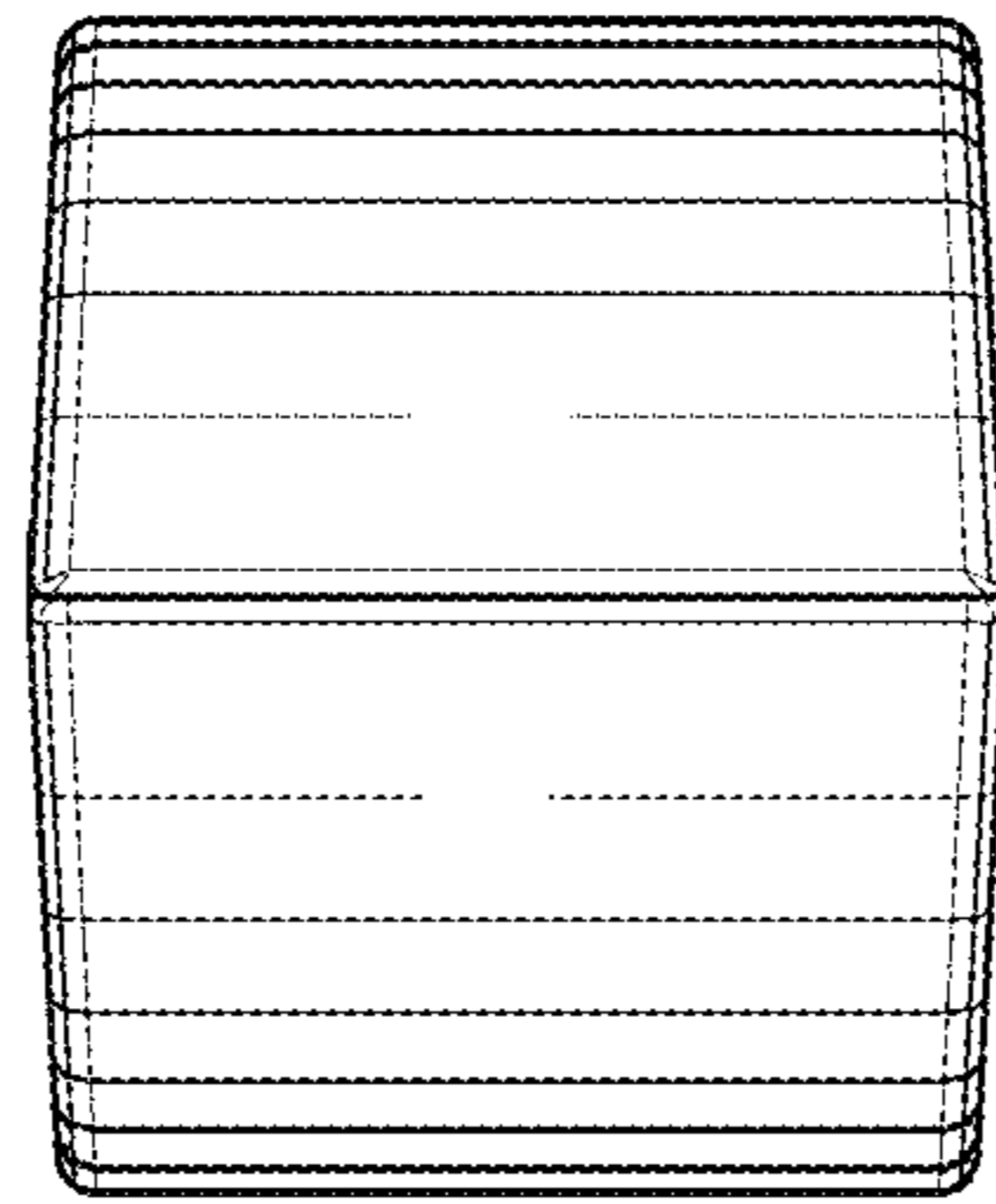


FIG. 7

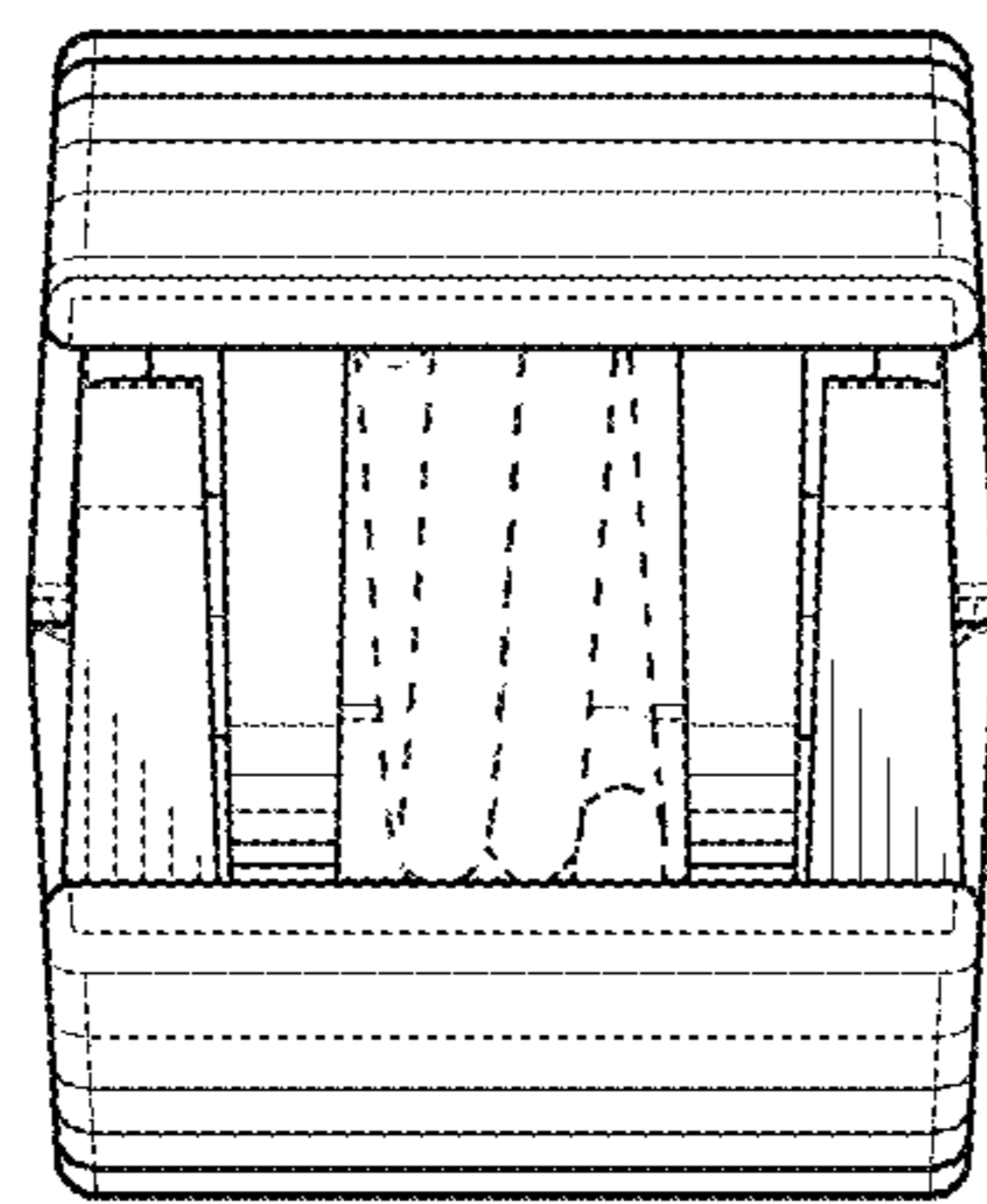


FIG. 8