

US00D682252S

(12) **United States Design Patent**
Behringer et al.

(10) **Patent No.:** **US D682,252 S**

(45) **Date of Patent:** **** *May 14, 2013**

(54) **AUDIO COMPONENT**

(75) Inventors: **Ulrich Behringer**, Makati (PH); **Costa Lakoumentas**, Surrey, CA (US); **David Czarnecki**, Seattle, WA (US)

(73) Assignee: **Red Chip Company Ltd.**, Tortola (VG)

(*) Notice: This patent is subject to a terminal disclaimer.

(**) Term: **14 Years**

(21) Appl. No.: **29/363,142**

(22) Filed: **Jun. 4, 2010**

(51) **LOC (9) Cl.** **14-03**

(52) **U.S. Cl.**
USPC **D14/188**

(58) **Field of Classification Search** D14/162,
D14/167-169, 175, 179, 188, 194-198, 215,
D14/217, 257, 258, 265, 299, 496; D13/163,
D13/164; 84/625, 660, 697; 455/344-351;
330/1 R, 3, 4, 250; 381/86, 120
See application file for complete search history.

(56) **References Cited**

U.S. PATENT DOCUMENTS

D331,406 S *	12/1992	Goatman	D14/137
D454,110 S *	3/2002	Andre et al.	D13/110
D508,478 S *	8/2005	Nakajima	D14/188
D536,333 S *	2/2007	McRae et al.	D14/240

D557,694 S *	12/2007	Bey et al.	D14/257
D569,840 S *	5/2008	Tejima	D14/188
D606,094 S *	12/2009	Kimura	D14/496
D608,341 S *	1/2010	Nakagawa	D14/198
D625,279 S *	10/2010	Boudreau et al.	D14/137
D644,623 S *	9/2011	Behringer et al.	D14/188

* cited by examiner

Primary Examiner — Keli L Hill

(74) *Attorney, Agent, or Firm* — Seed IP Law Group PLLC

(57) **CLAIM**

The ornamental design for the audio component, as shown and described.

DESCRIPTION

FIG. 1 is a perspective view of the audio component showing the new design.

FIG. 2 is a top plan view of the audio component of FIG. 1. FIG. 3 is a front elevational view of the audio component of FIG. 1.

FIG. 4 is a bottom plan view of the audio component of FIG. 1.

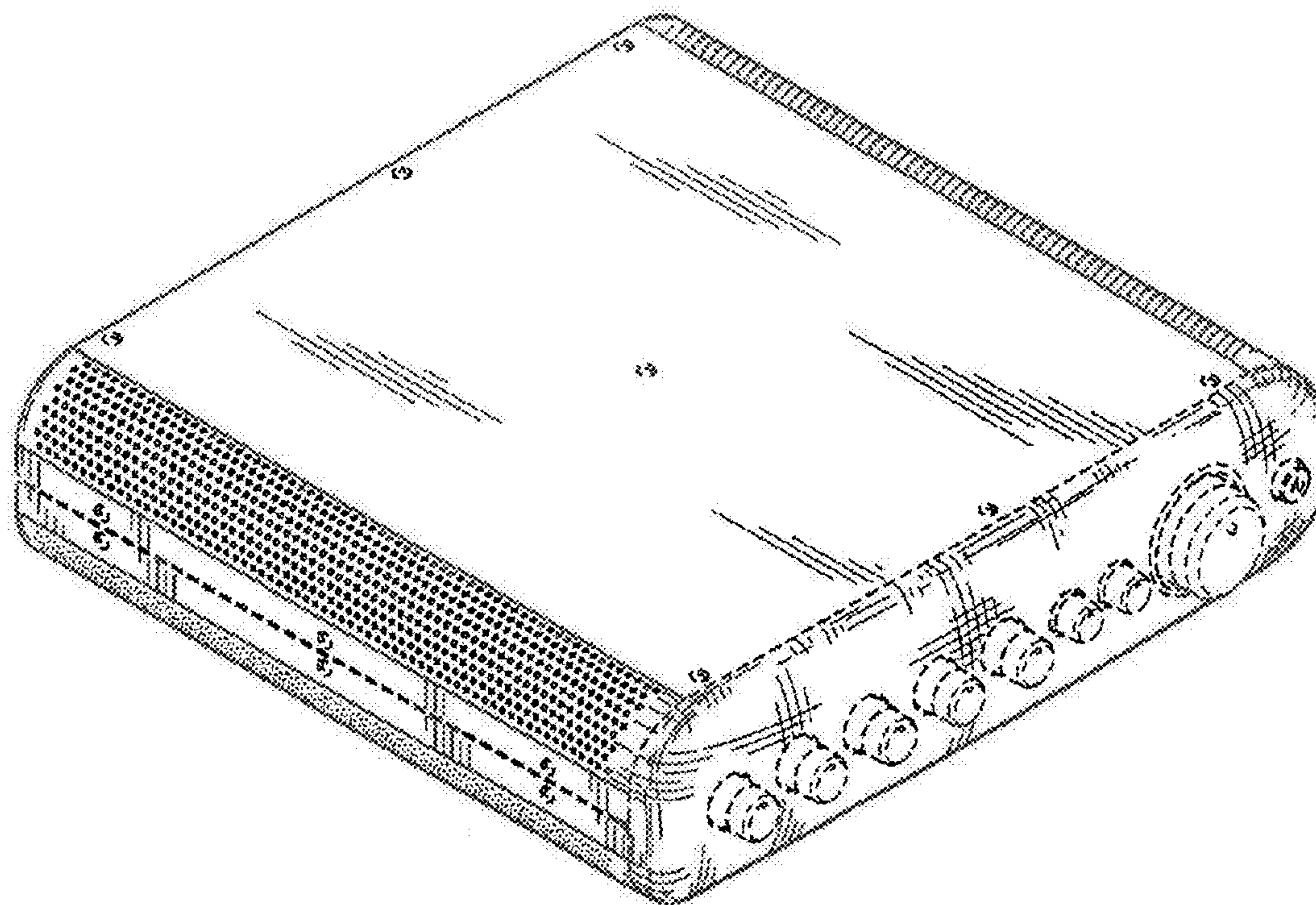
FIG. 5 is a back elevational view of the audio component of FIG. 1.

FIG. 6 is a right-side elevational view of the audio component of FIG. 1; and,

FIG. 7 is a left-side elevational view of the audio component of FIG. 1.

The broken lines shown are included for the purpose of illustrating the unclaimed portions of the article and form no part of the claim.

1 Claim, 4 Drawing Sheets



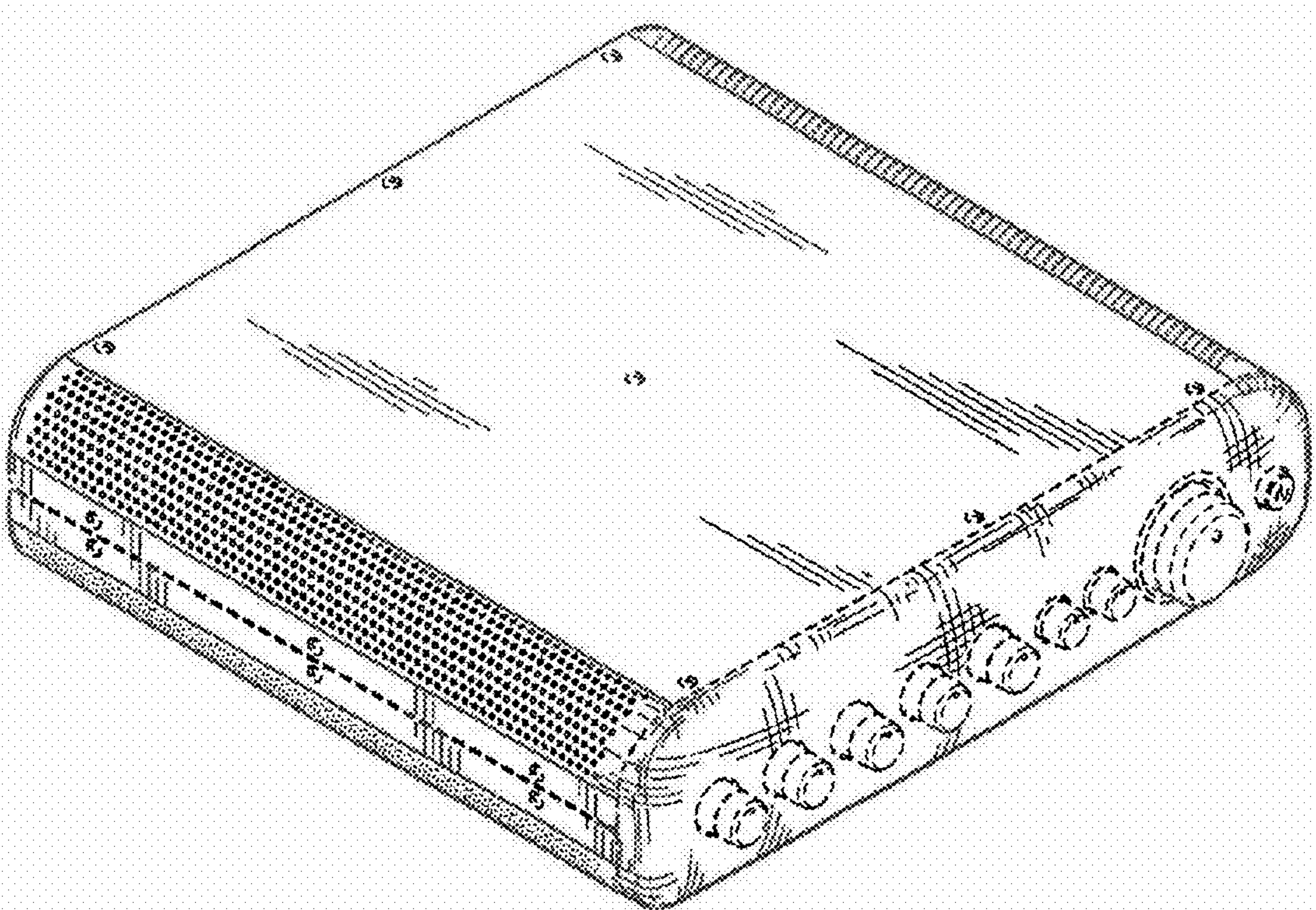


FIG. 1

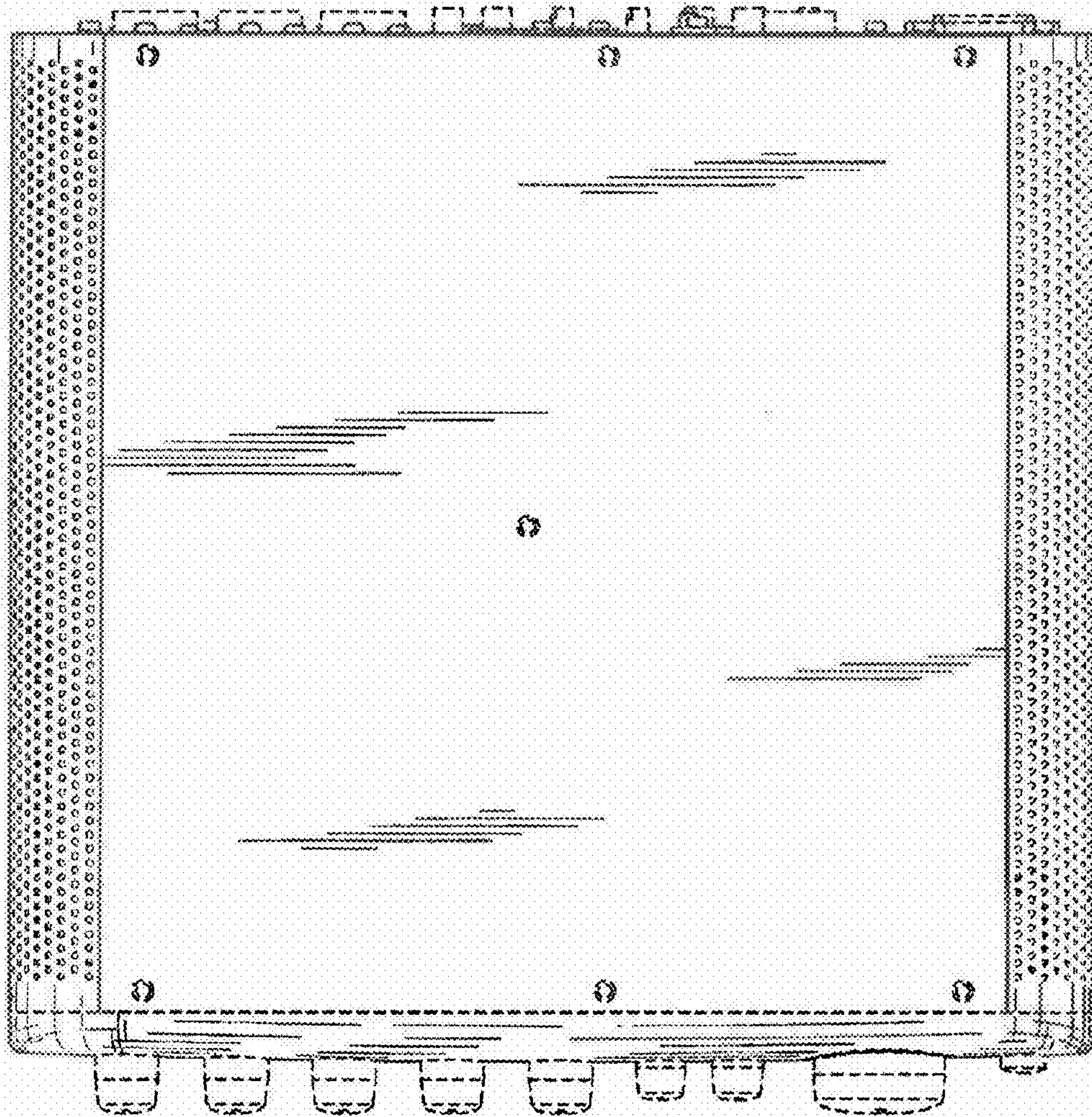


FIG. 2

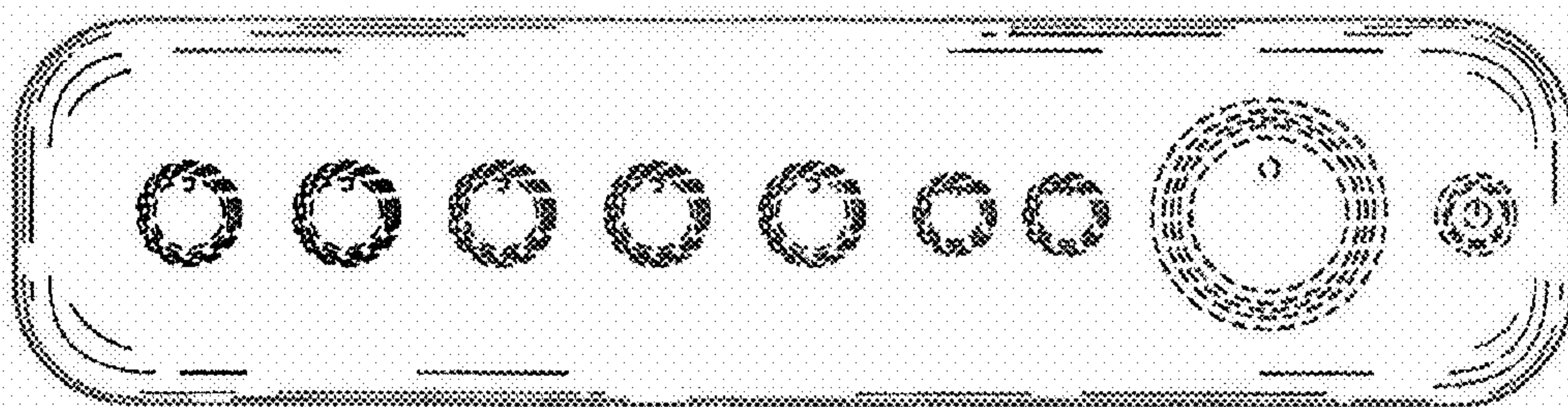


FIG. 3

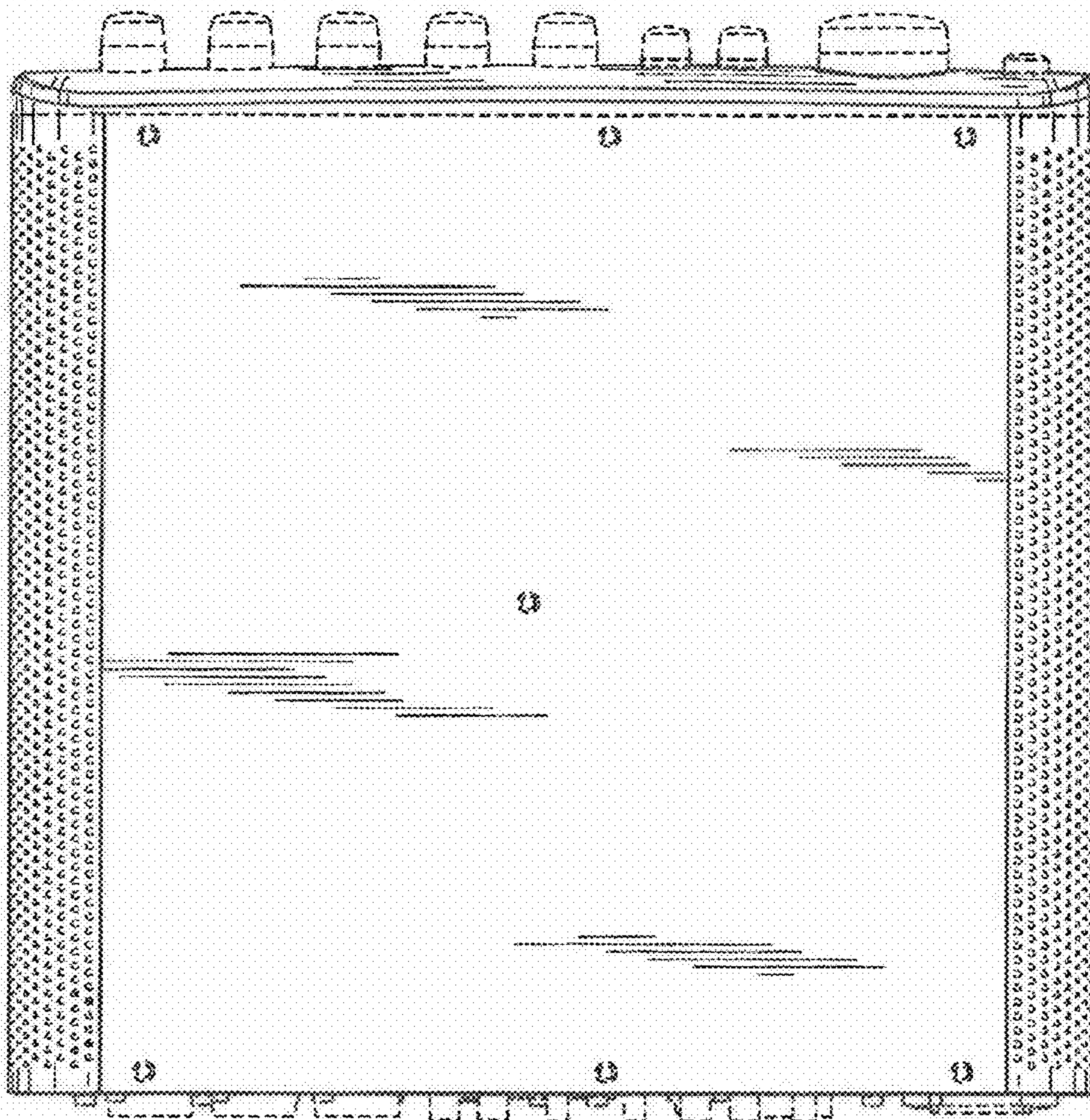


FIG. 4

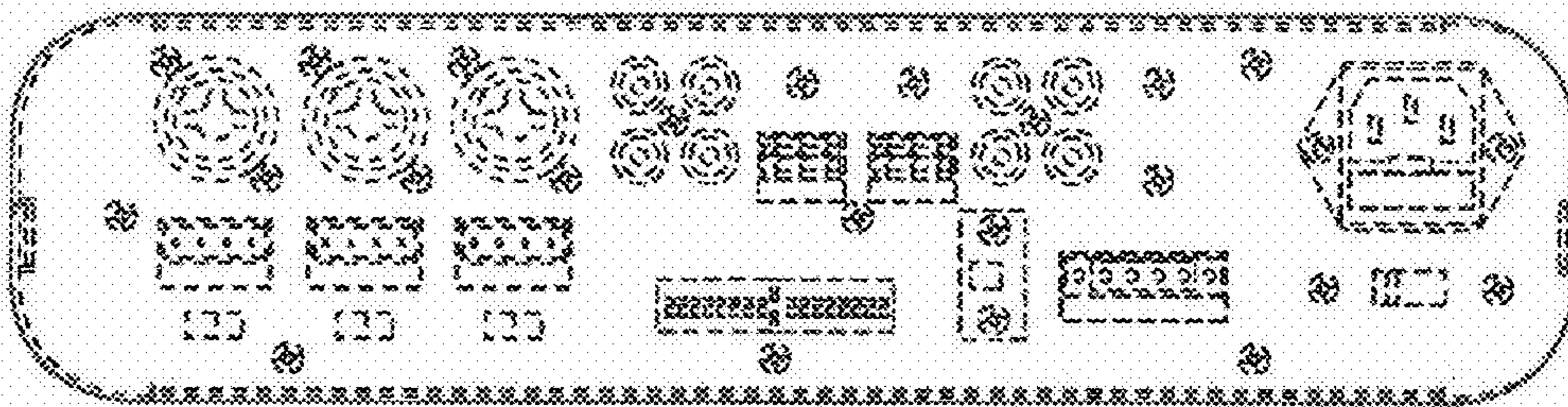


FIG. 5

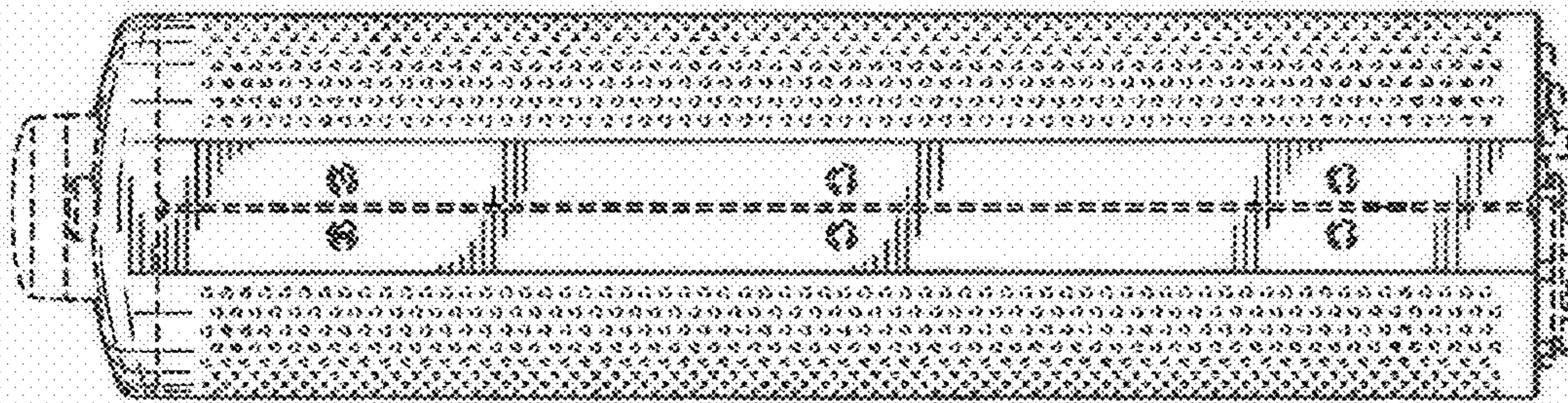


FIG. 6

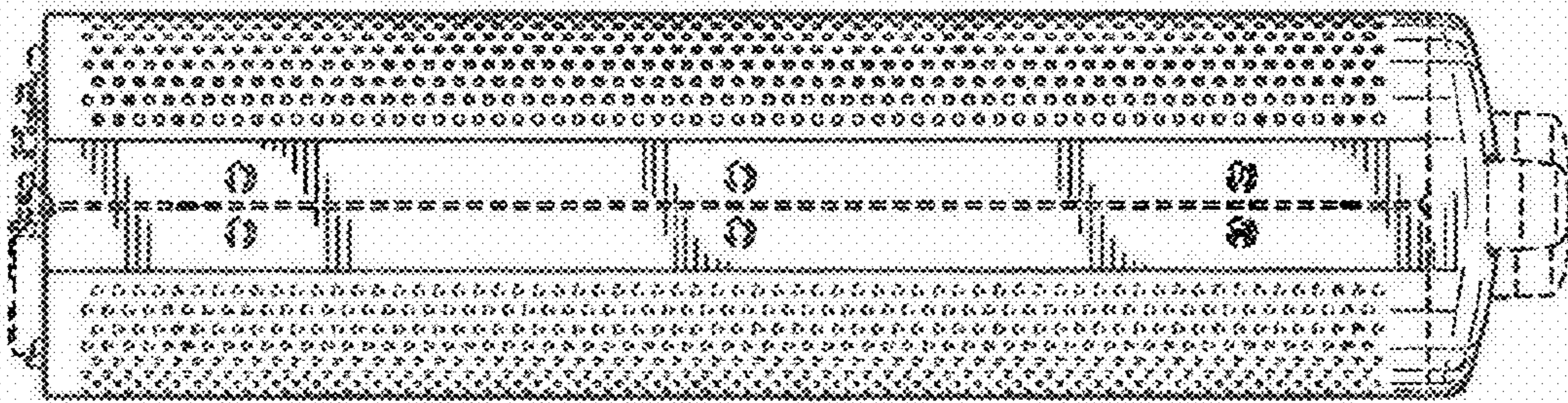


FIG. 7