



US00D682251S

(12) **United States Design Patent**
Behringer et al.

(10) **Patent No.:** **US D682,251 S**

(45) **Date of Patent:** **** May 14, 2013**

(54) **AUDIO COMPONENT WITH MAIN CONTROL KNOB**

D608,341 S * 1/2010 Nakagawa D14/198
D625,279 S * 10/2010 Boudreau et al. D14/137
D644,623 S * 9/2011 Behringer et al. D14/188

(75) Inventors: **Ulrich Behringer**, Makati (PH); **Costa Lakoumentas**, Surrey (CA); **David Czarnecki**, Seattle, WA (US)

* cited by examiner

Primary Examiner — Keli L Hill

(73) Assignee: **Red Chip Company Ltd.**, Tortola (VG)

(74) *Attorney, Agent, or Firm* — Seed IP Law Group PLLC

(**) Term: **14 Years**

(57) **CLAIM**

The ornamental design for the audio component with main control knob, as shown and described.

(21) Appl. No.: **29/363,140**

DESCRIPTION

(22) Filed: **Jun. 4, 2010**

(51) **LOC (9) Cl.** **14-03**

(52) **U.S. Cl.**
USPC **D14/188**

(58) **Field of Classification Search** D14/162,
D14/167–169, 175, 179, 188, 194–198, 215,
D14/217, 257, 258, 265, 299, 496; D13/163,
D13/164; 84/625, 660, 697; 455/344–351;
330/1 R, 3, 4, 250; 381/86, 120

See application file for complete search history.

FIG. 1 is a perspective view of the audio component with main control knob showing the new design.

FIG. 2 is a top plan view of the audio component with main control knob of FIG. 1.

FIG. 3 is a front elevational view of the audio component with main control knob of FIG. 1.

FIG. 4 is a bottom plan view of the audio component with main control knob of FIG. 1.

FIG. 5 is a back elevational view of the audio component with main control knob of FIG. 1.

FIG. 6 is a right-side elevational view of the audio component with with main control knob of FIG. 1; and,

FIG. 7 is a left-side elevational view of the audio component with main control knob of FIG. 1.

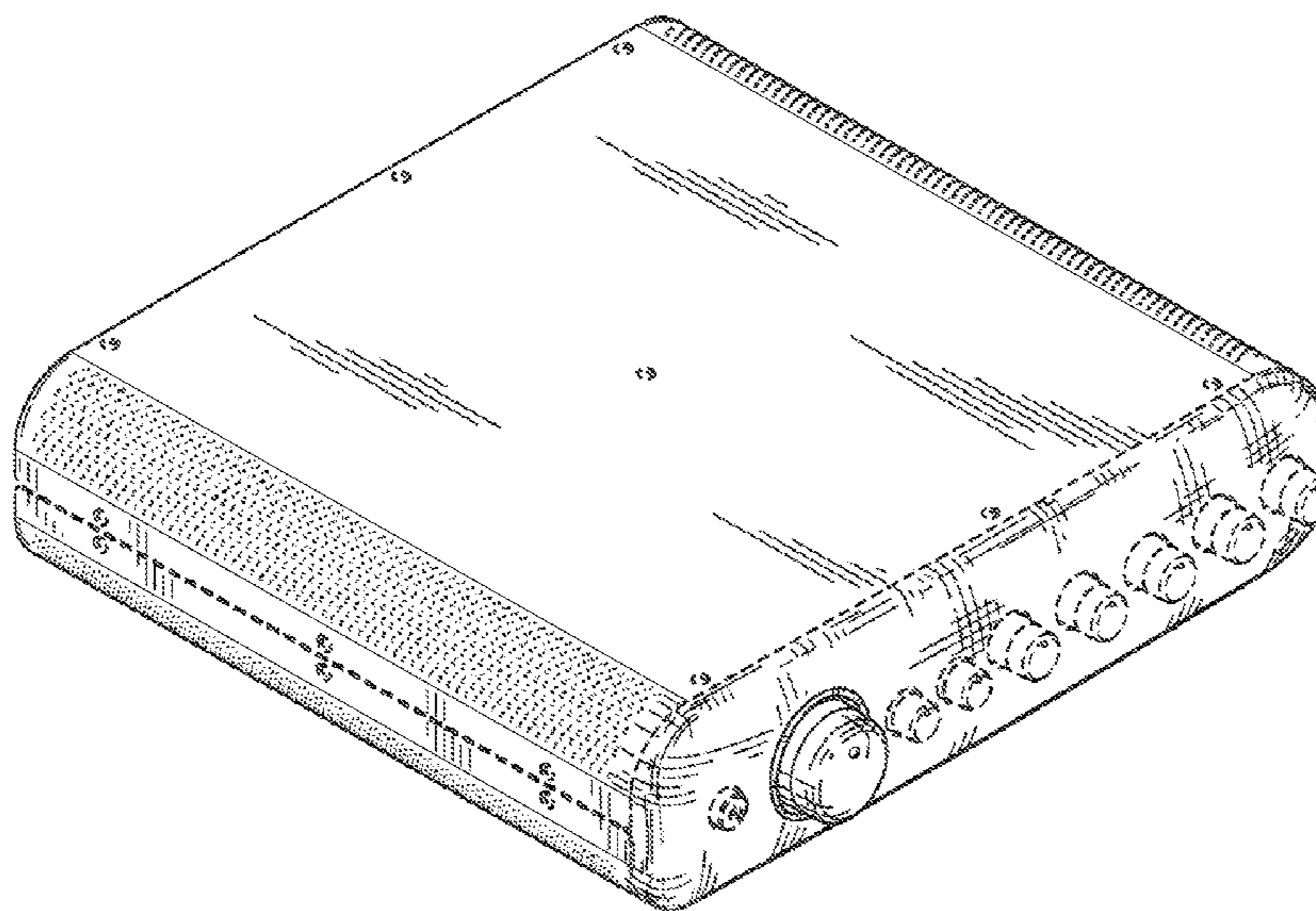
The broken lines shown are included for the purpose of illustrating the unclaimed portions of the article and form no part of the claim.

(56) **References Cited**

U.S. PATENT DOCUMENTS

D331,406 S * 12/1992 Goatman D14/137
D454,110 S * 3/2002 Andre et al. D13/110
D508,478 S * 8/2005 Nakajima D14/188
D536,333 S * 2/2007 McRae et al. D14/240
D557,694 S * 12/2007 Bey et al. D14/257
D569,840 S * 5/2008 Tejima D14/188
D606,094 S * 12/2009 Kimura D14/496

1 Claim, 4 Drawing Sheets



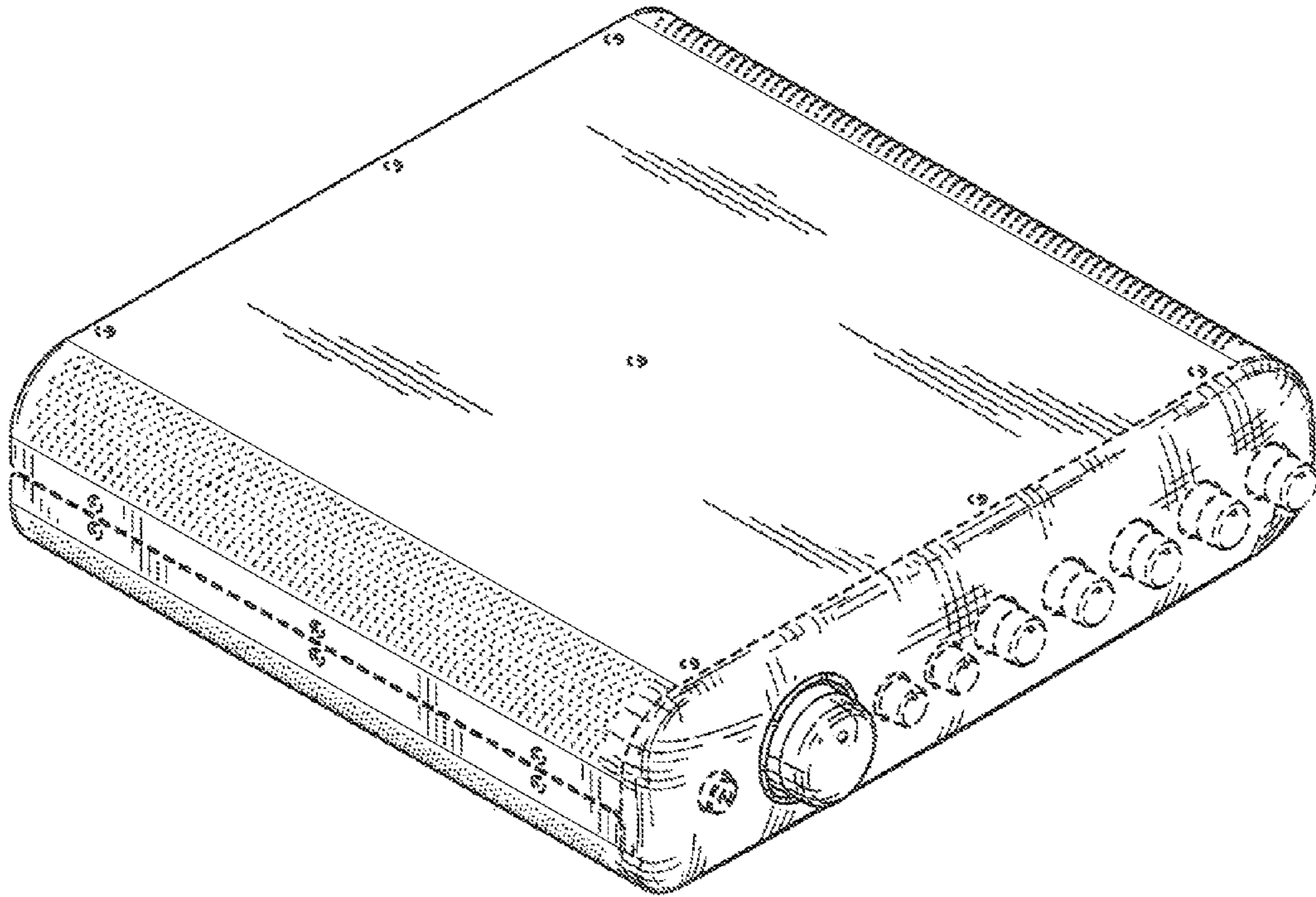


FIG. 1

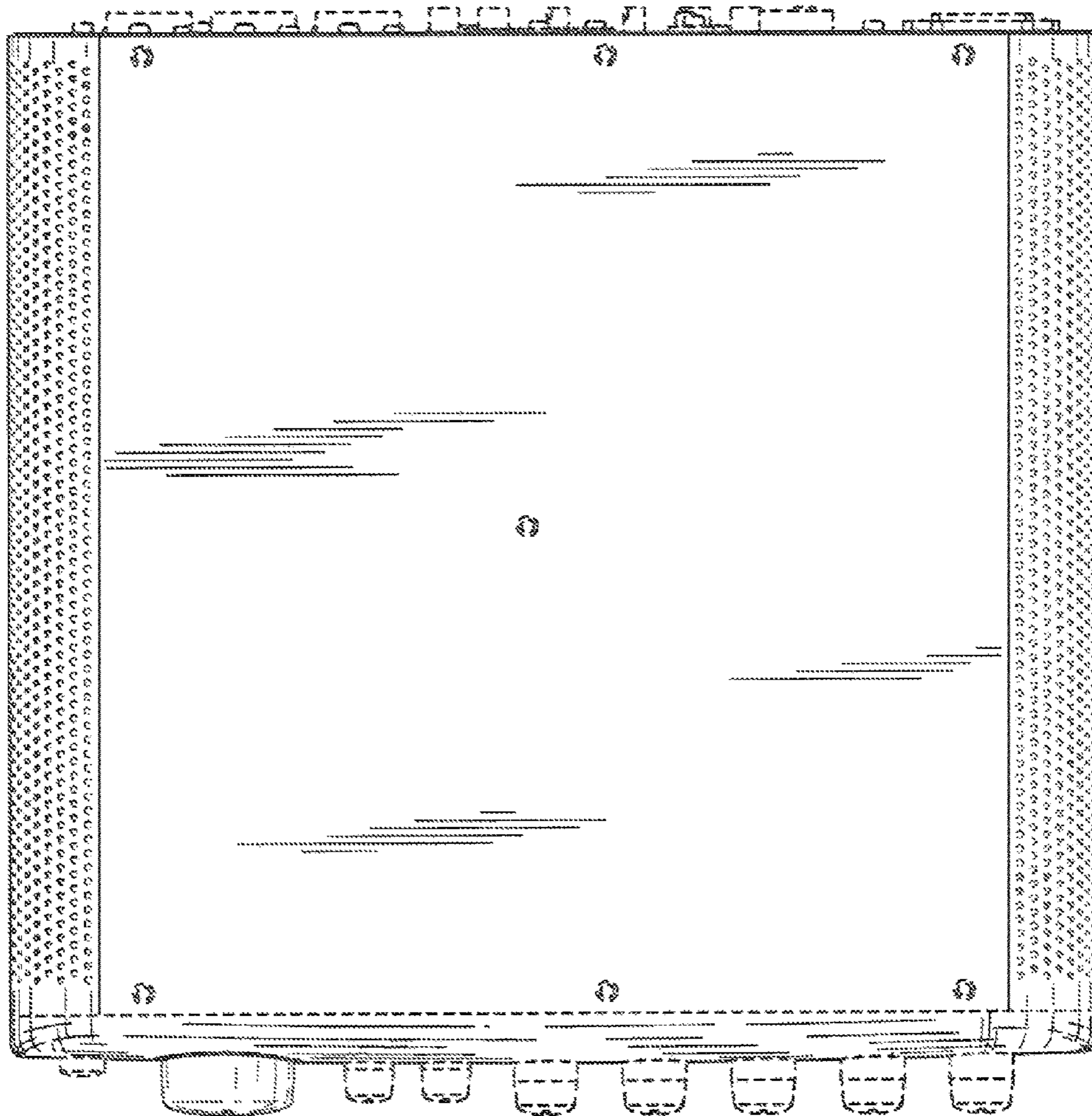


FIG. 2

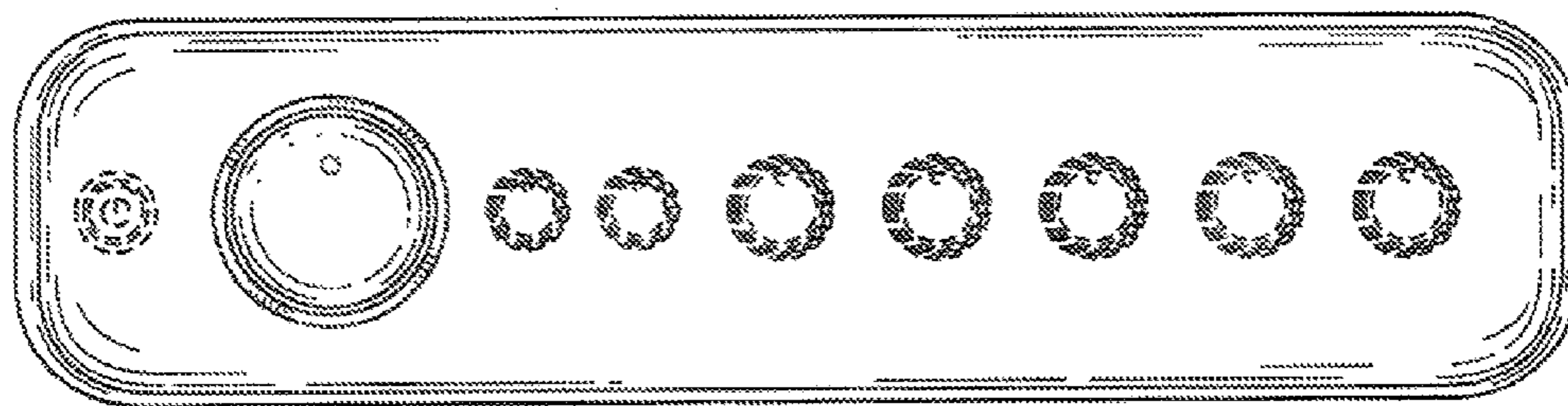


FIG. 3

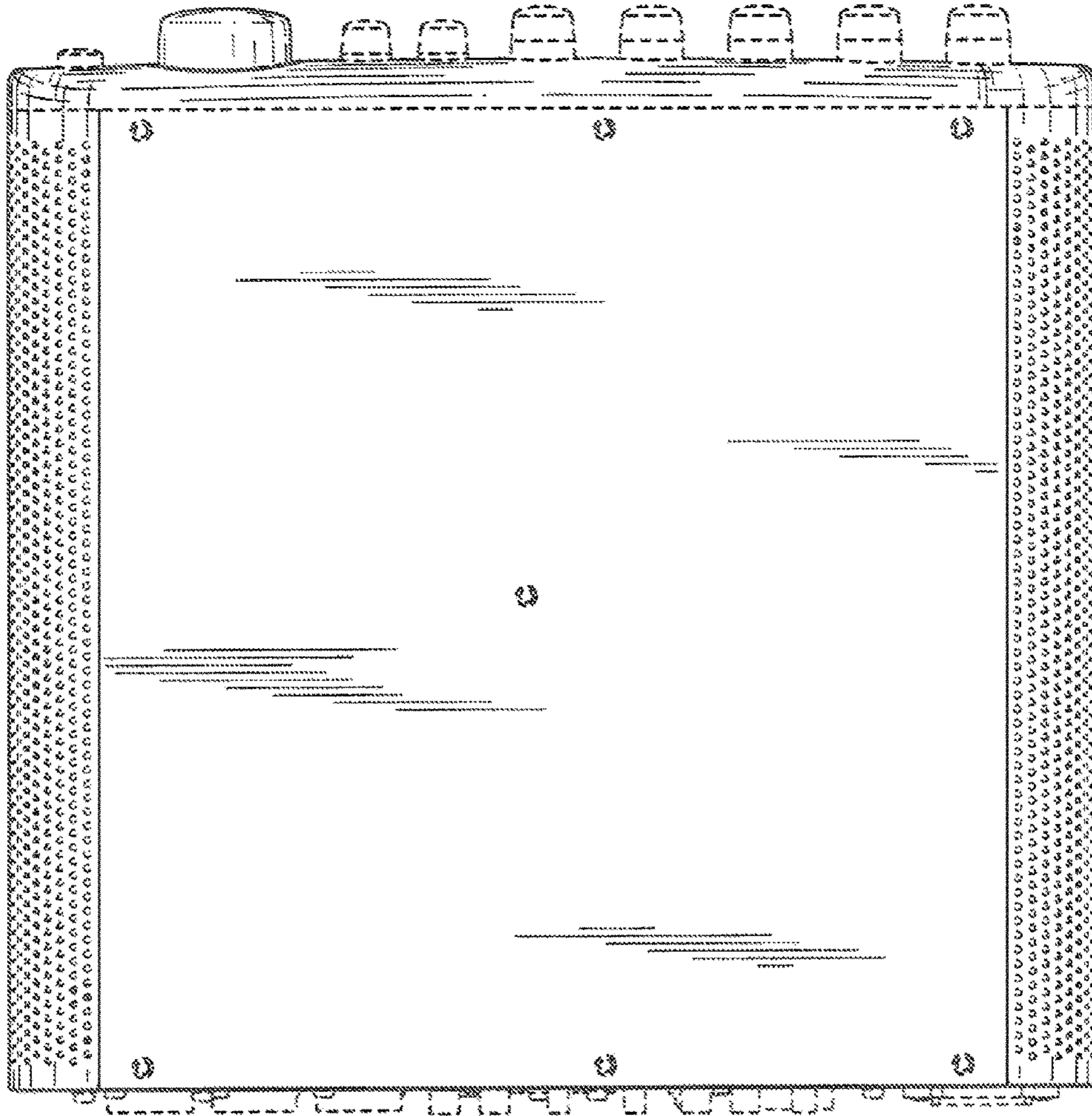


FIG. 4

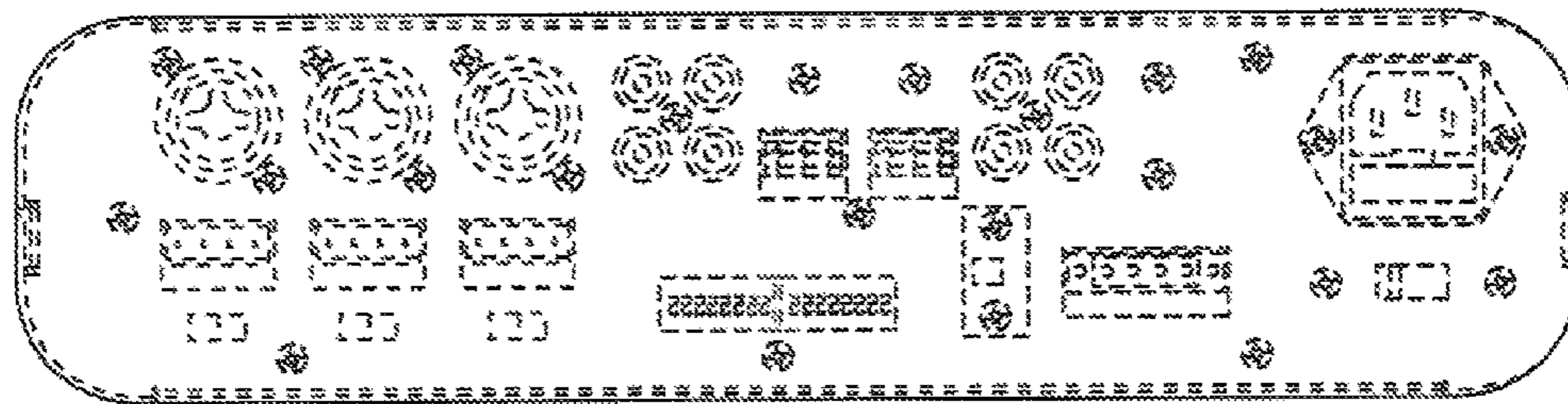


FIG. 5

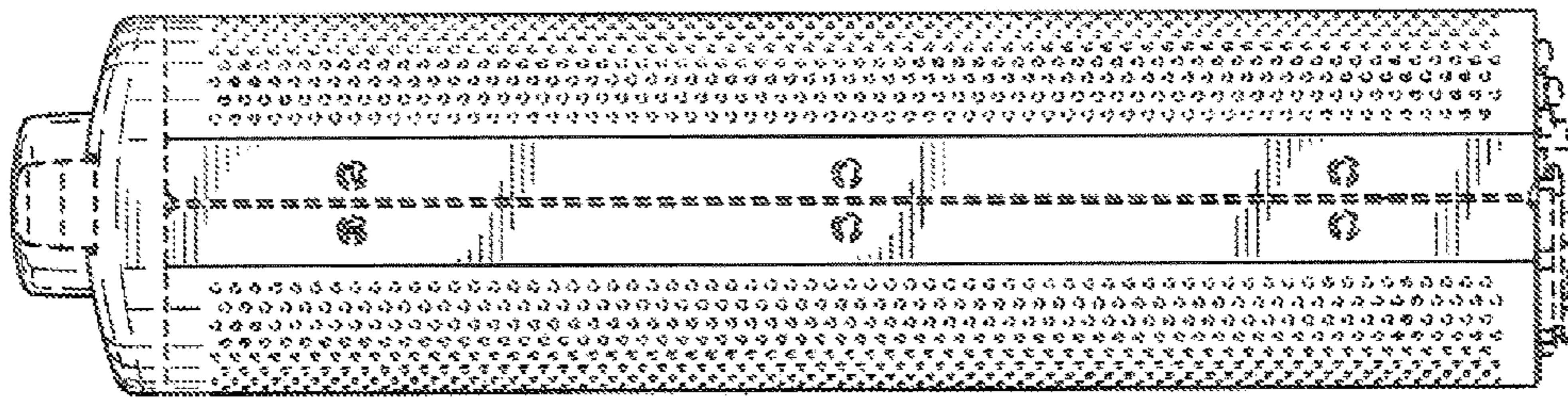


FIG. 6

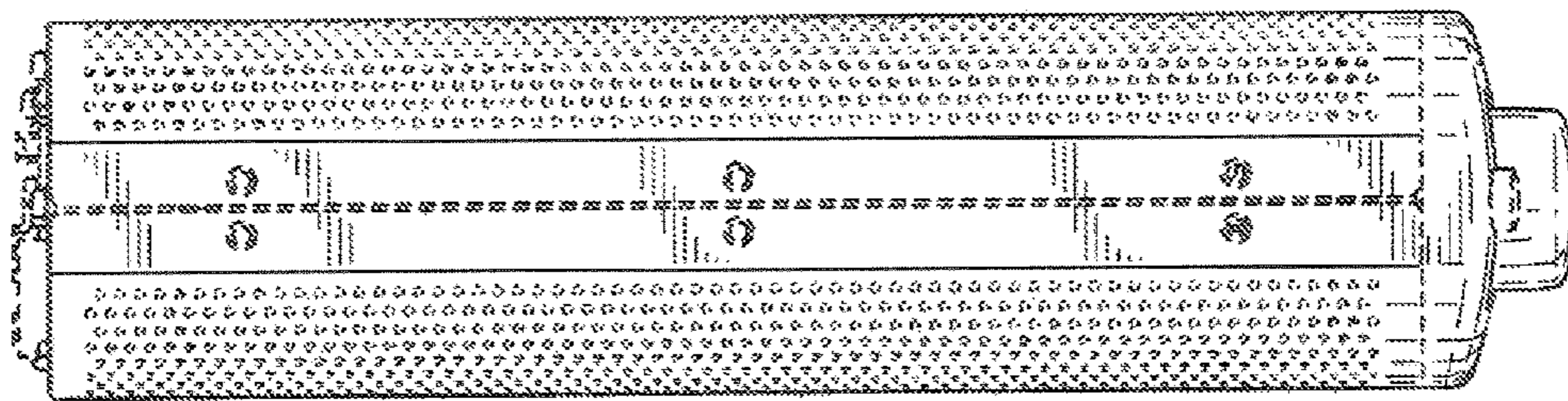


FIG. 7