



US00D682249S

(12) **United States Design Patent**  
**Esslinger**

(10) **Patent No.:** **US D682,249 S**

(45) **Date of Patent:** **\*\* May 14, 2013**

(54) **EQUIPMENT FOR THE RECORDING OR  
REPRODUCTION OF SOUNDS OR PICTURES**

(75) **Inventor:** **Hartmut H. Esslinger**, Los Gatos, CA  
(US)

(73) **Assignee:** **Add-On Technology, Co. Ltd.**, Taipei  
(TW)

(\*\*) **Term:** **14 Years**

(21) **Appl. No.:** **29/397,430**

(22) **Filed:** **Jul. 15, 2011**

(30) **Foreign Application Priority Data**

Jan. 18, 2011 (EM) ..... 001806852-0001

(51) **LOC (9) Cl.** ..... **14-01**

(52) **U.S. Cl.**  
USPC ..... **D14/172**

(58) **Field of Classification Search** ..... D14/204,  
D14/209–216, 135, 168, 172, 502, 188, 194,  
D14/197; 181/143, 144, 147, 148, 150, 157,  
181/198, 199, 151, 153; 381/330–302, 306,  
381/333, 345, 361–364, 386–388, 331, 336

See application file for complete search history.

(56) **References Cited**

U.S. PATENT DOCUMENTS

3,512,605	A *	5/1970	McCorkle	.....	381/301
4,700,395	A *	10/1987	Long	.....	381/334
D545,810	S *	7/2007	Hussaini et al.	.....	D14/168
D553,611	S *	10/2007	Gan	.....	D14/214
D556,232	S *	11/2007	Yoneji	.....	D16/203
D582,891	S *	12/2008	Khoo et al.	.....	D14/214
D587,675	S *	3/2009	Xie	.....	D14/172
D589,930	S *	4/2009	McGeeney	.....	D14/172
D595,261	S *	6/2009	Xie et al.	.....	D14/168
D596,196	S *	7/2009	Laituri et al.	.....	D14/496
7,840,415	B2 *	11/2010	Schifone	.....	705/1.1
8,169,548	B2 *	5/2012	Ryckman	.....	348/722

\* cited by examiner

*Primary Examiner* — Prabhakar Deshmukh

(74) *Attorney, Agent, or Firm* — Workman Nydegger

(57) **CLAIM**

The ornamental design for equipment for the recording or reproduction of sounds or pictures, as shown and described.

**DESCRIPTION**

FIG. 1 is a left perspective view of equipment for the recording or reproduction of sounds or pictures showing my new design;

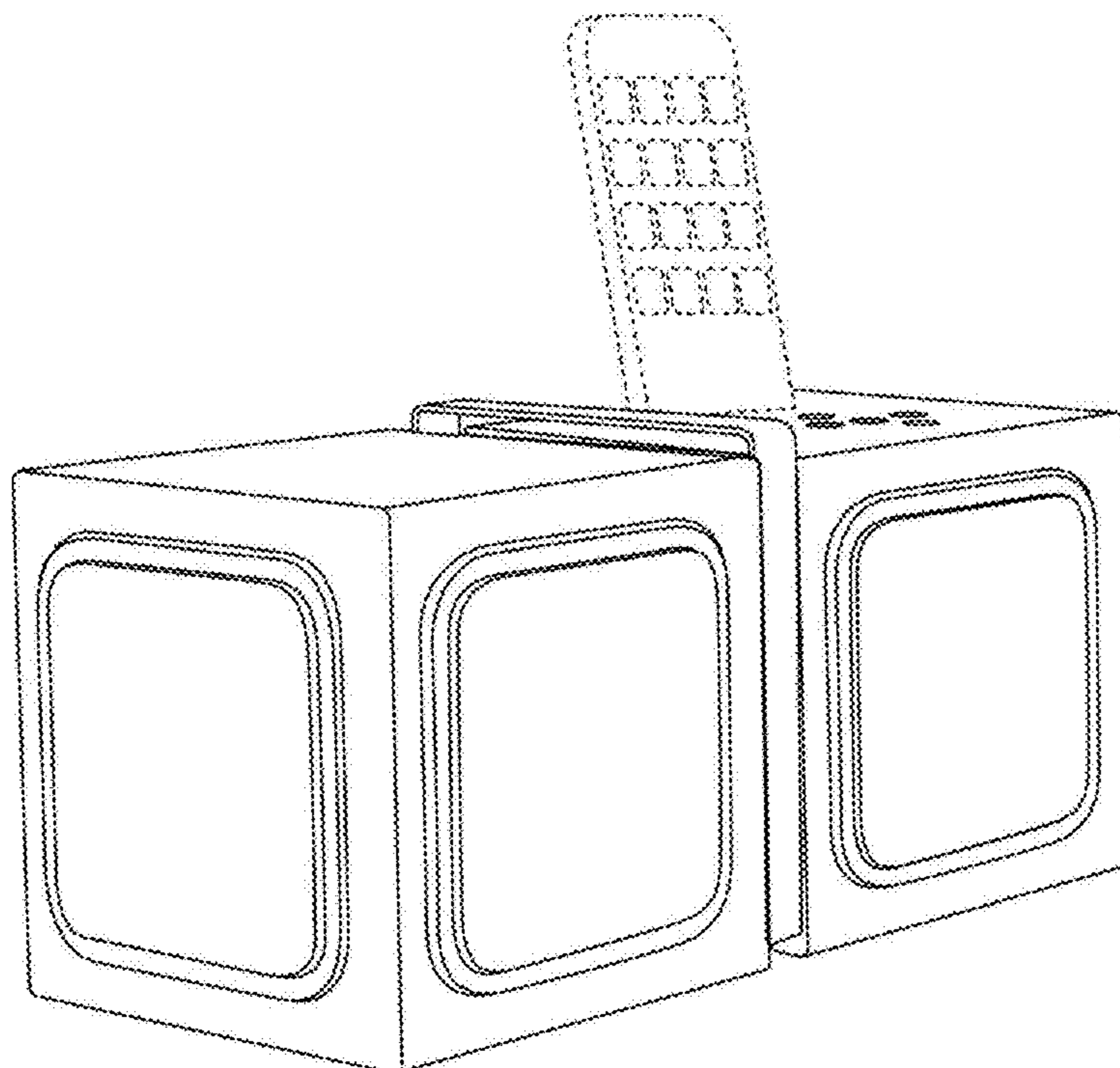
FIG. 2 is a right perspective view thereof;

FIG. 3 is a top perspective view thereof; and,

FIG. 4 is a bottom perspective view thereof.

The broken lines are for illustrative purposes only and form no part of the claimed design.

**1 Claim, 4 Drawing Sheets**



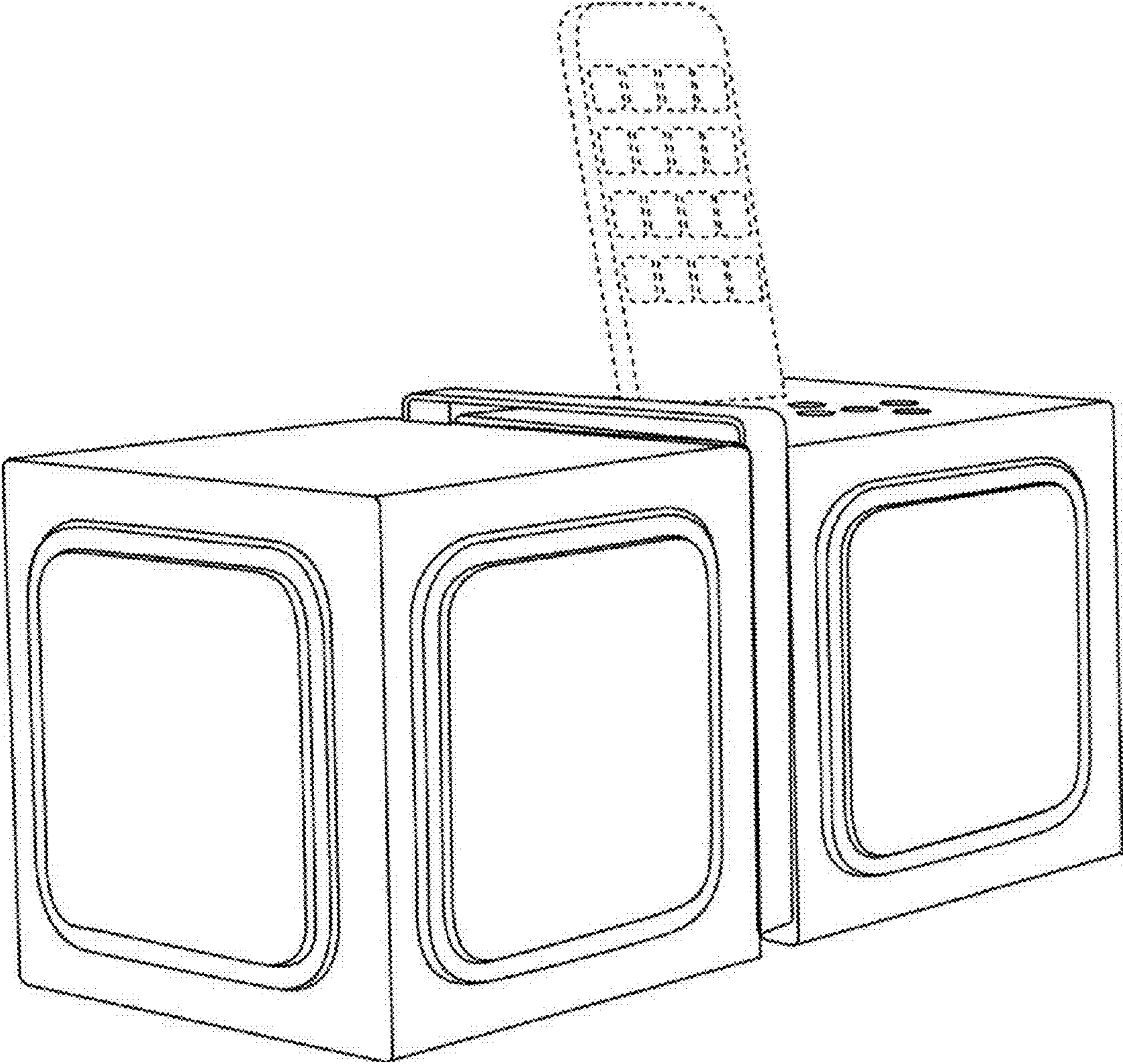


FIG. 1

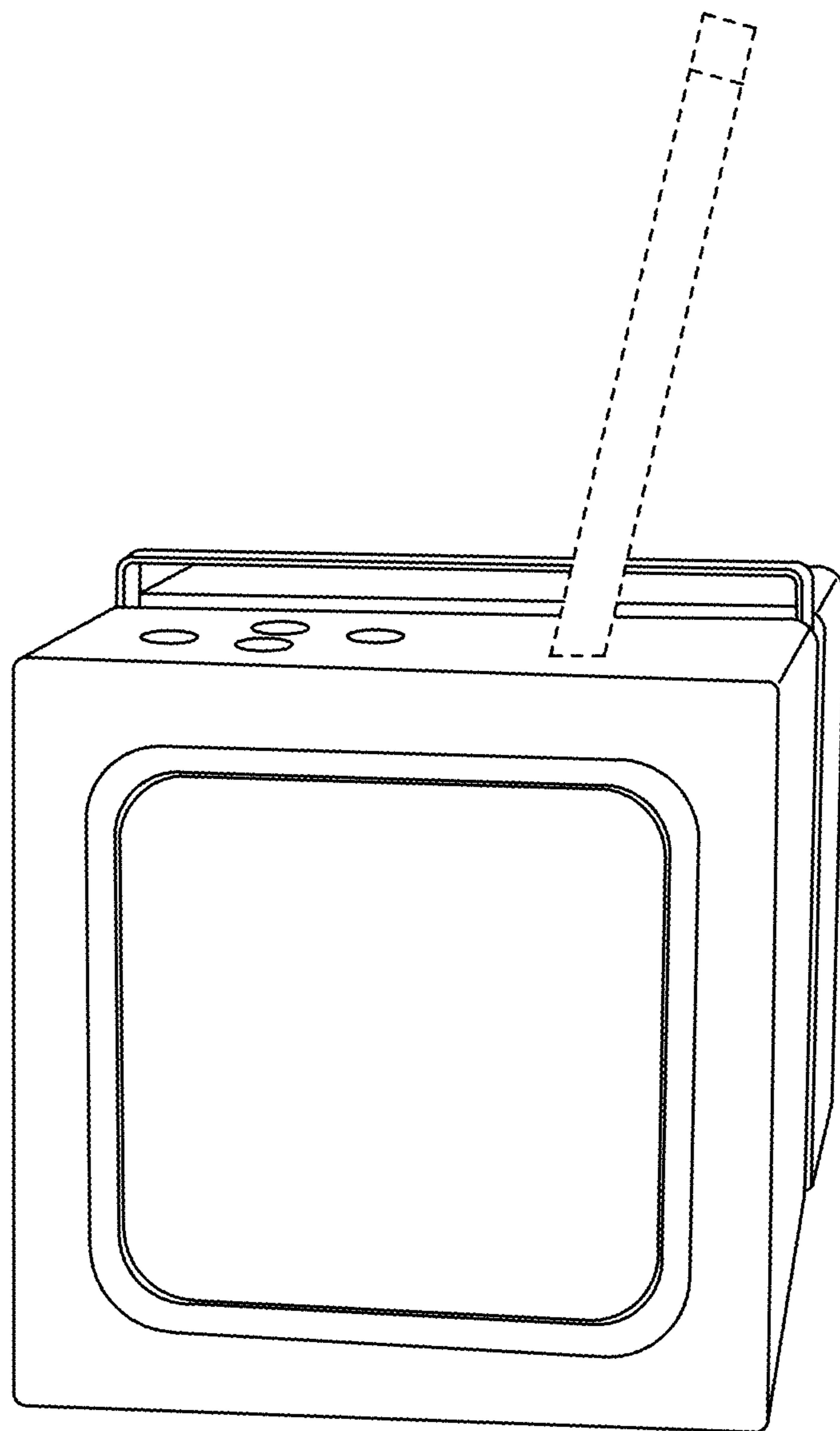


FIG. 2

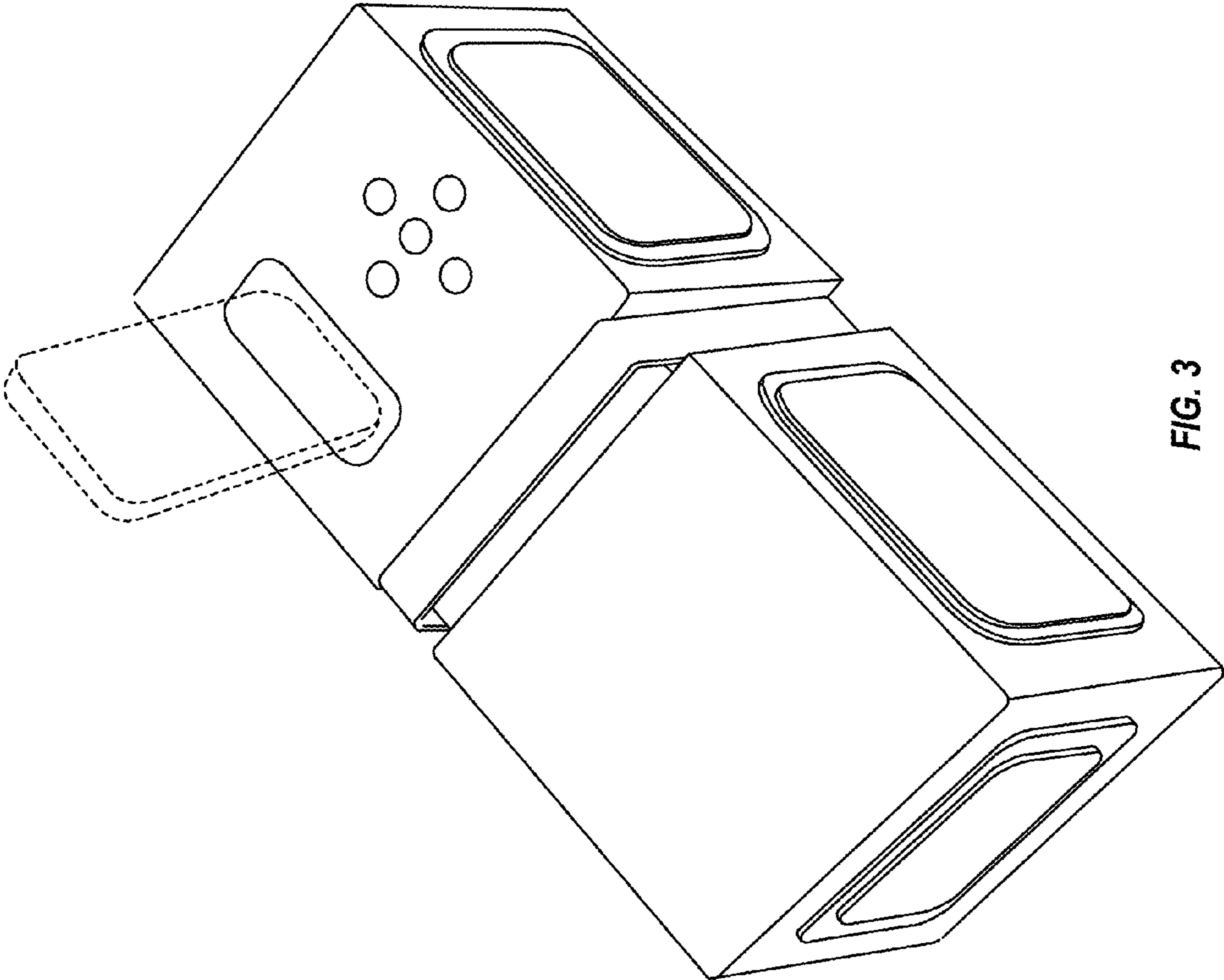


FIG. 3

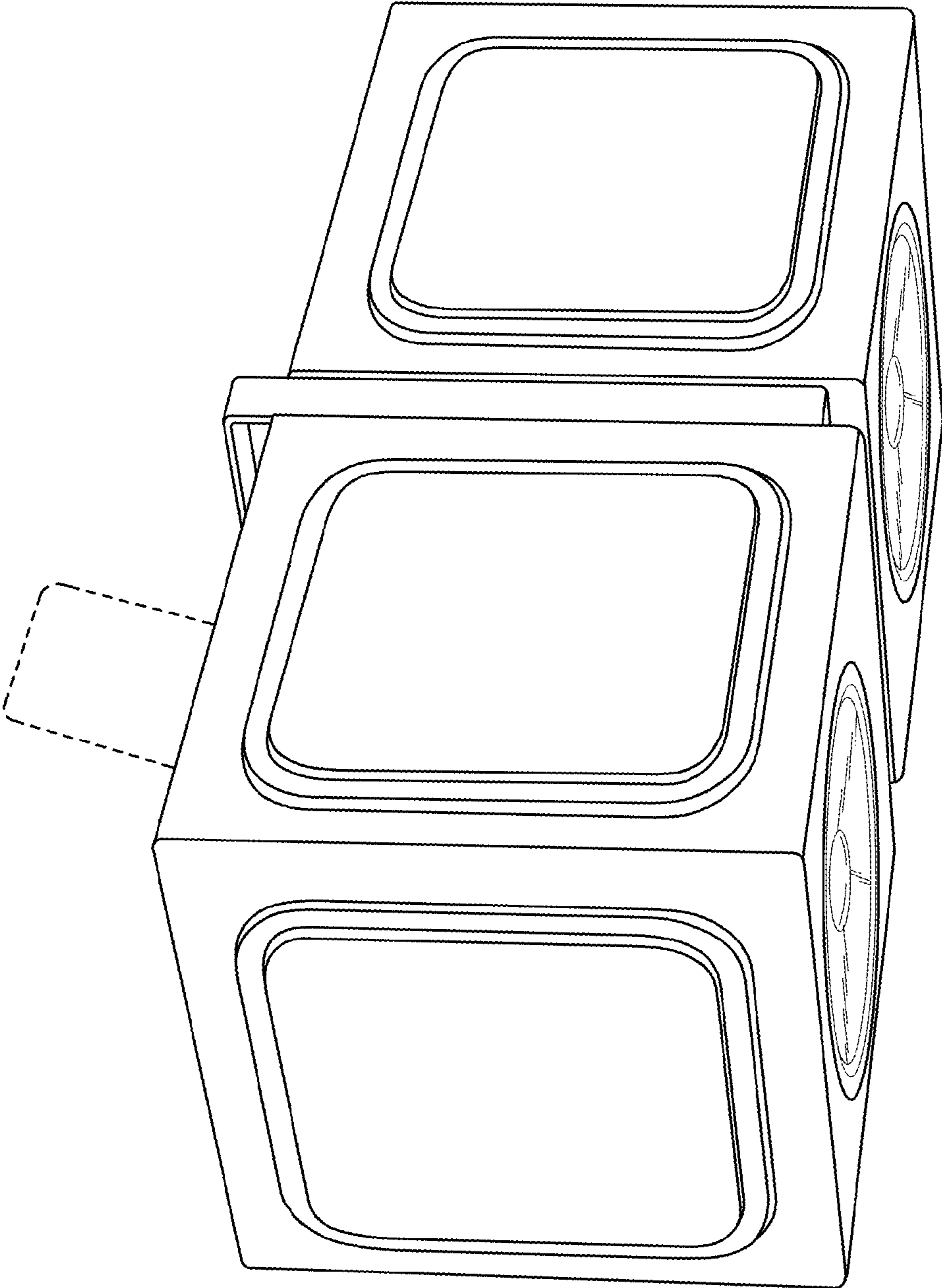


FIG. 4