



US00D682248S

(12) **United States Design Patent**
Esslinger et al.

(10) **Patent No.:** **US D682,248 S**

(45) **Date of Patent:** **** May 14, 2013**

(54) **EQUIPMENT FOR THE RECORDING OR REPRODUCTION OF SOUNDS OR PICTURES**

(75) Inventors: **Hartmut Esslinger**, Los Gatos, CA (US); **Chi-Liang Chen**, Lu Chu Hsiang (TW)

(73) Assignee: **Add-On Technology, Co., Ltd.**, Taipei (TW)

(**) Term: **14 Years**

(21) Appl. No.: **29/396,617**

(22) Filed: **Jul. 1, 2011**

(30) **Foreign Application Priority Data**

Jan. 5, 2011 (EM) 001801820-0001
Jan. 5, 2011 (EM) 001801820-0002
Jan. 5, 2011 (EM) 001801820-0003
Jan. 5, 2011 (EM) 001801820-0004

(51) **LOC (9) Cl.** **14-01**

(52) **U.S. Cl.**
USPC **D14/172**

(58) **Field of Classification Search** D14/204, D14/209-216, 135, 168, 172, 502, 188, 194, D14/197; 181/143, 144, 147, 148, 150, 157, 181/198, 199, 151, 153; 381/330-302, 306, 381/333, 345, 361-364, 386-388, 331, 336
See application file for complete search history.

(56) **References Cited**

U.S. PATENT DOCUMENTS

3,512,605	A *	5/1970	McCorkle	381/301
4,700,395	A *	10/1987	Long	381/334
D545,810	S *	7/2007	Hussaini et al.	D14/168
D553,611	S *	10/2007	Gan	D14/214
D556,232	S *	11/2007	Yoneji	D16/203
D582,891	S *	12/2008	Khoo et al.	D14/214
D587,675	S *	3/2009	Xie	D14/172
D589,930	S *	4/2009	McGeeney	D14/172
D595,261	S *	6/2009	Xie et al.	D14/168
D596,196	S *	7/2009	Laituri et al.	D14/496
7,840,415	B2 *	11/2010	Schifone	705/1.1
8,169,548	B2 *	5/2012	Ryckman	348/722

* cited by examiner

Primary Examiner — Prabhakar Deshmukh

(74) *Attorney, Agent, or Firm* — Workman Nydegger

(57) **CLAIM**

The ornamental design for equipment for the recording or reproduction of sounds or pictures, as shown and described.

DESCRIPTION

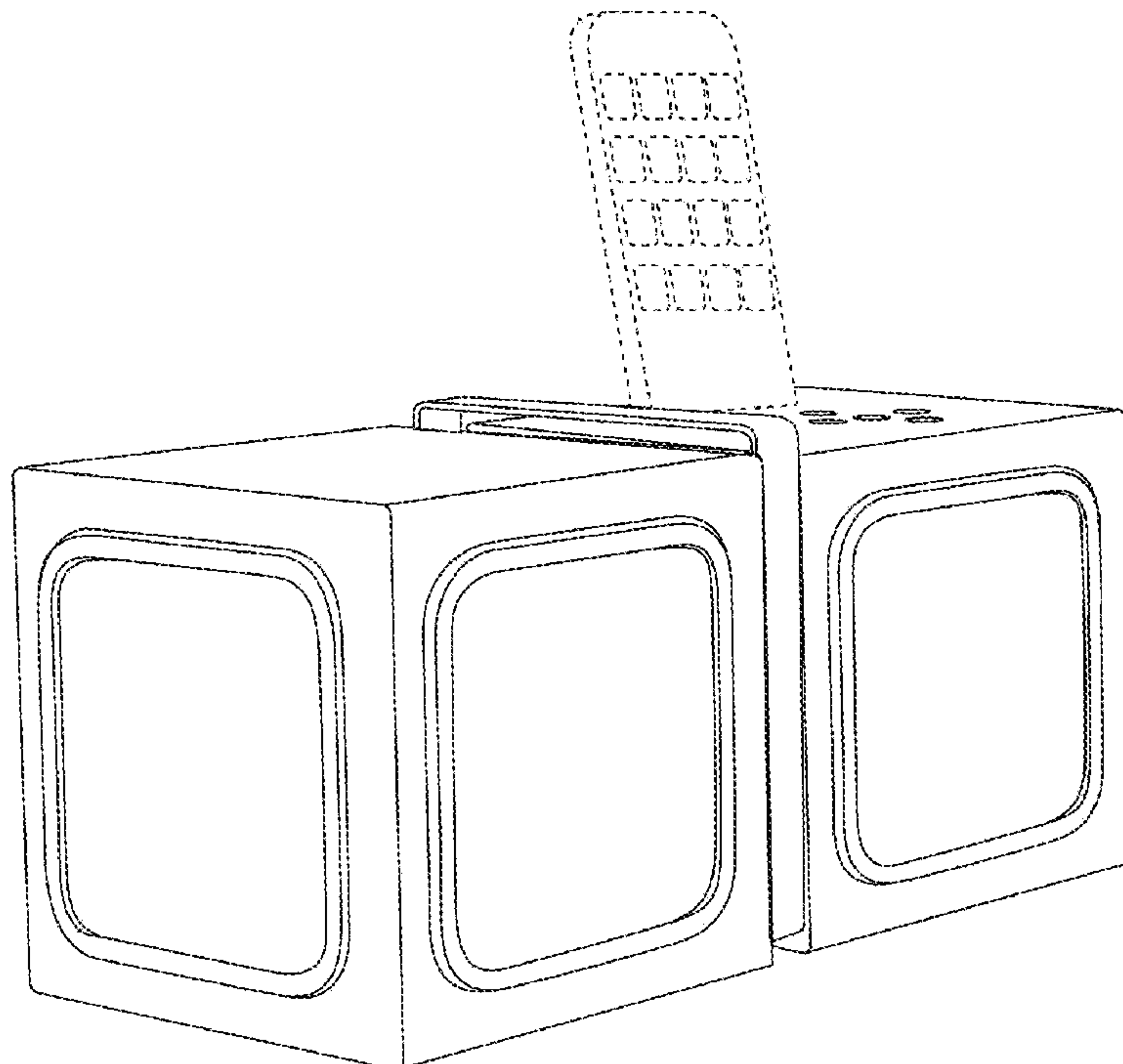
FIG. 1 is a left perspective view of equipment for the recording or reproduction of sounds or pictures showing my new design;

FIG. 2 is a right perspective view thereof; and,

FIG. 3 is a top perspective view thereof.

The broken lines are for illustrative purposes only and form no part of the claimed design.

1 Claim, 3 Drawing Sheets



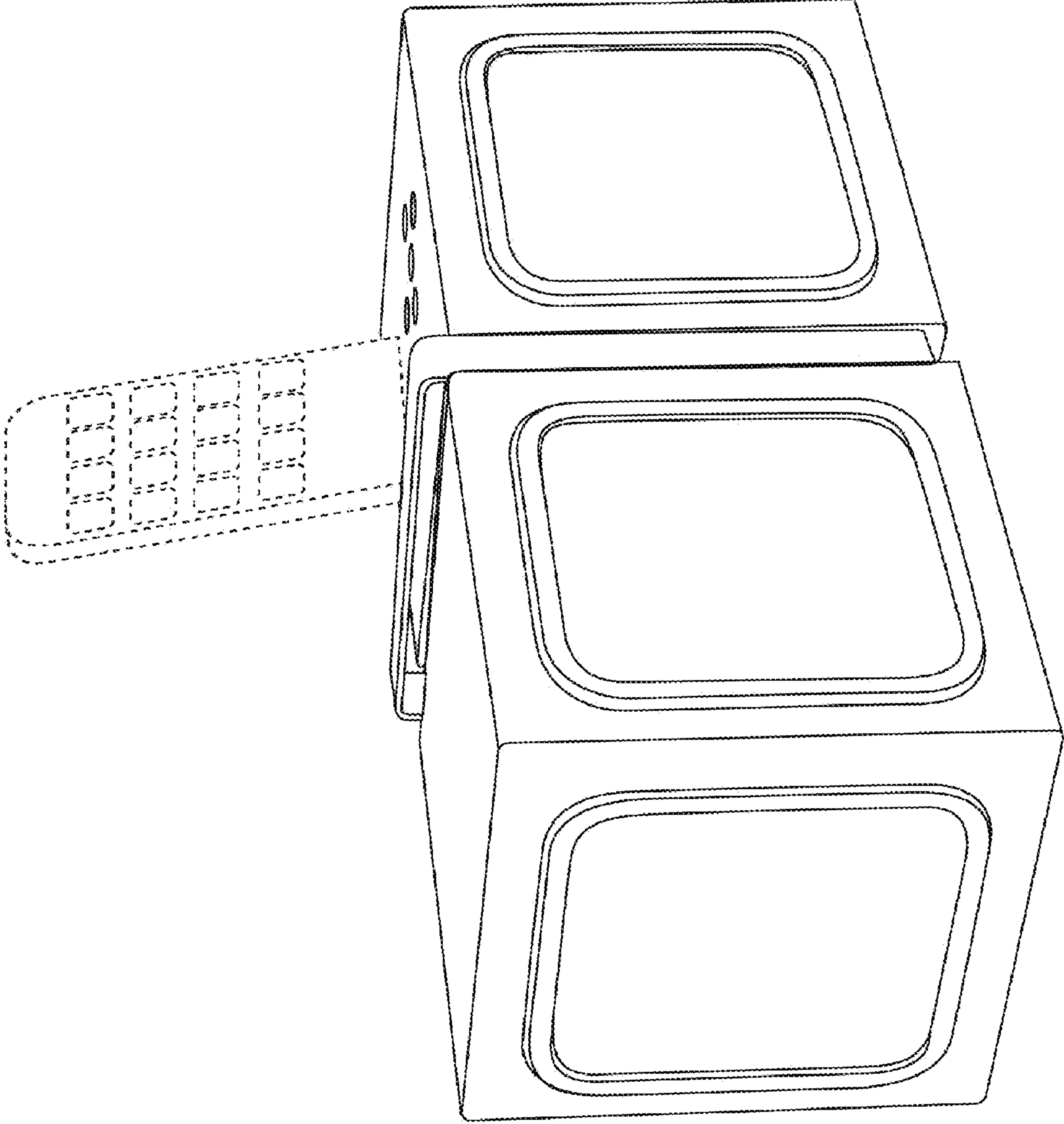


FIG. 1

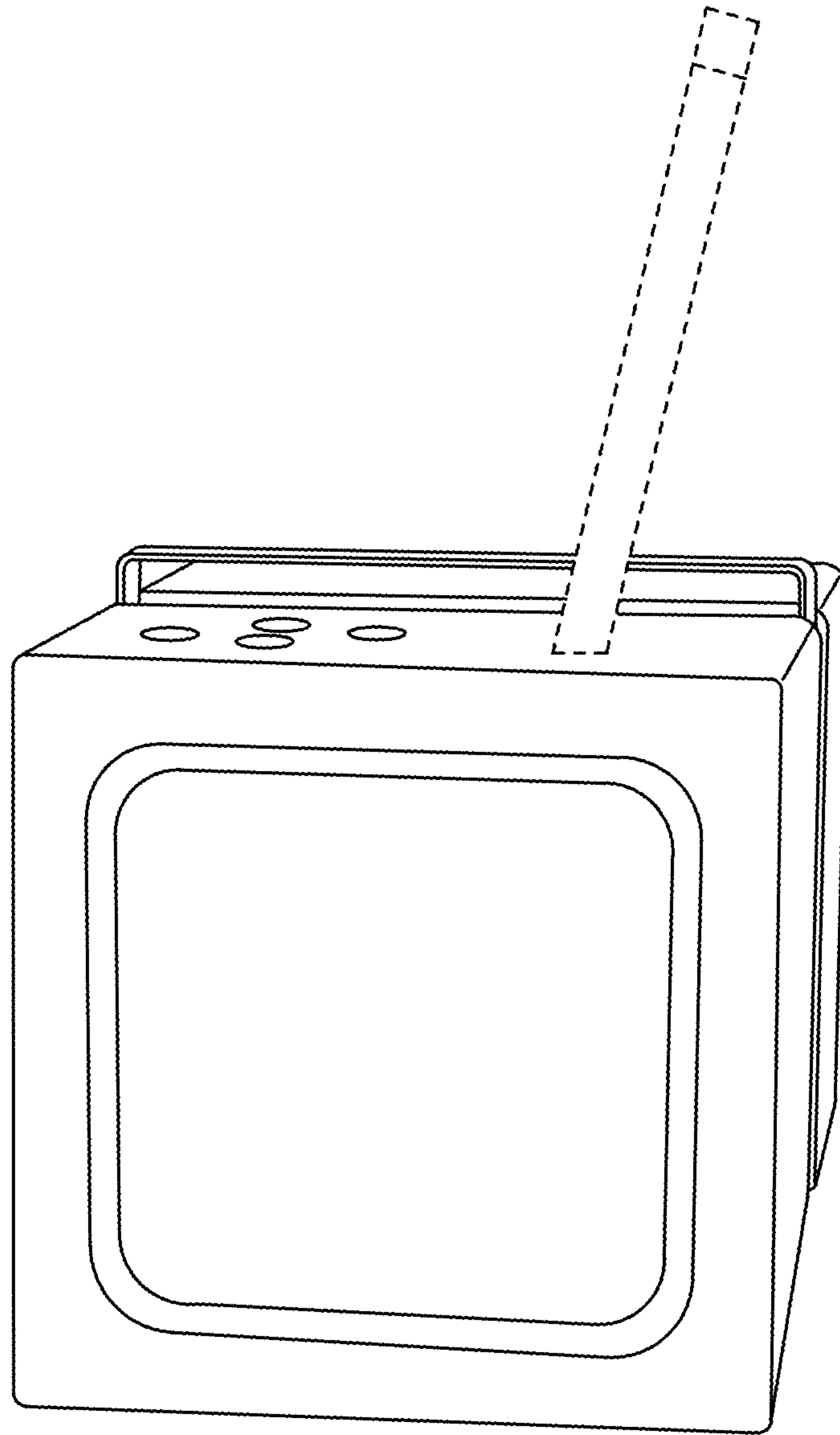


FIG. 2

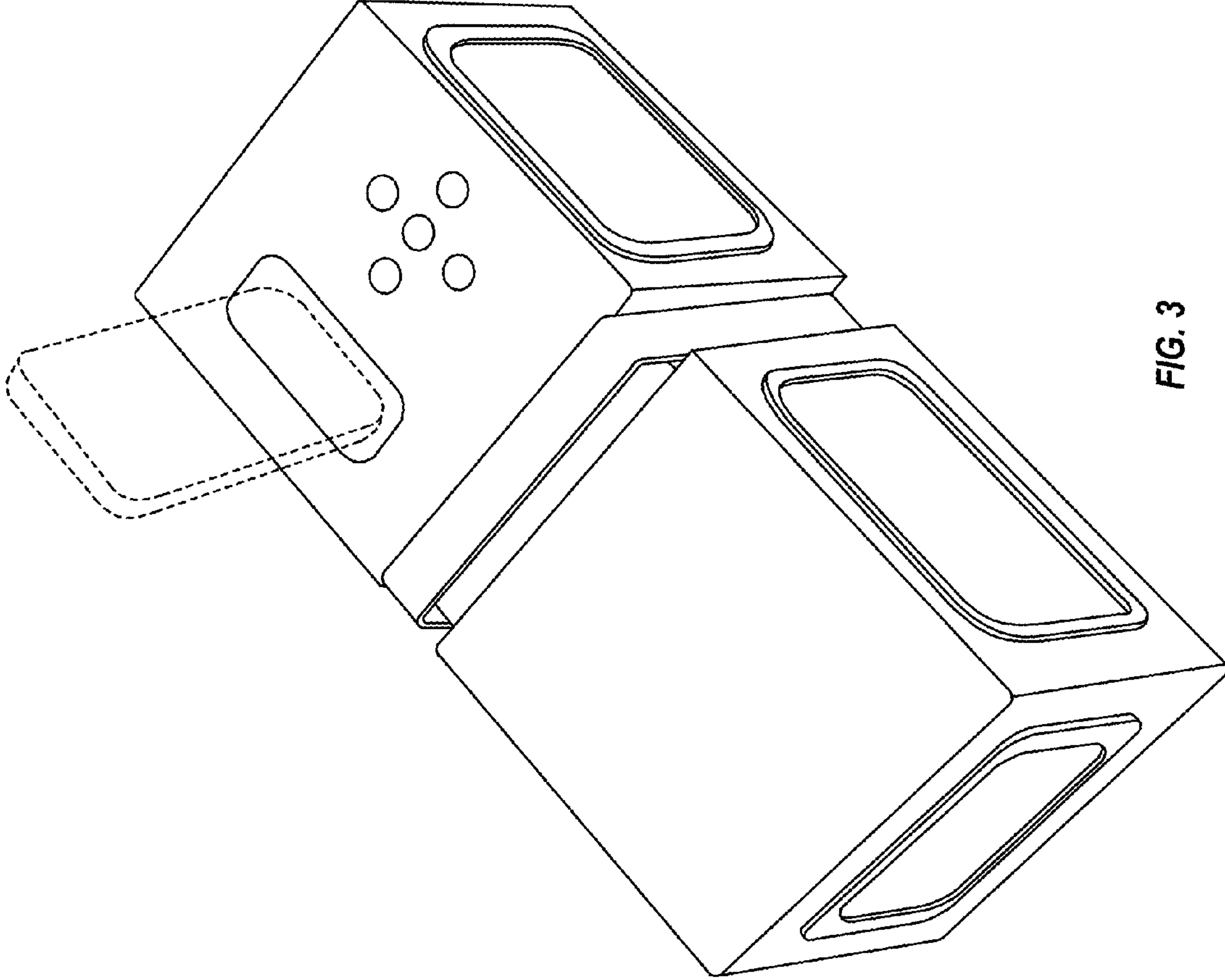


FIG. 3