



US00D682240S

(12) **United States Design Patent**
Hirota

(10) **Patent No.:** **US D682,240 S**

(45) **Date of Patent:** **** May 14, 2013**

(54) **PORTABLE TERMINAL**

(75) Inventor: **Naoki Hirota**, Daito (JP)

(73) Assignee: **Kyocera Corporation**, Kyoto (JP)

(**) Term: **14 Years**

(21) Appl. No.: **29/425,485**

(22) Filed: **Jun. 22, 2012**

(30) **Foreign Application Priority Data**

Apr. 18, 2012 (JP) 2012-009073

(51) **LOC (9) Cl.** **14-03**

(52) **U.S. Cl.**

USPC **D14/138 AB**

(58) **Field of Classification Search** D14/138 AB,
D14/138 G, 138 AD, 341, 345, 346, 138 R,
D14/138 AA, 496, 203.1, 203.4, 203.7, 248,
D14/218; 455/575.1, 556.2, 575.3, 575.4;
D21/517; 379/433.01, 433.04, 433.12, 433.13;
D10/65, 78, 104; D13/168

See application file for complete search history.

(56) **References Cited**

U.S. PATENT DOCUMENTS

D491,906 S *	6/2004	Okamatsu	D14/138 AB
D491,907 S *	6/2004	Ogawa	D14/138 AB
D505,124 S *	5/2005	Takada	D14/138 AB
D507,553 S *	7/2005	Gotou et al.	D14/138 AB
D510,080 S *	9/2005	Kim et al.	D14/138 AB
D518,464 S *	4/2006	Lee et al.	D14/138 AB
D536,319 S *	2/2007	Kim	D14/138 AB
D536,686 S *	2/2007	Miyata	D14/138 AB
D545,794 S *	7/2007	Nishimura	D14/138 AB
D553,598 S *	10/2007	Yoshihara	D14/138 AB
D555,125 S *	11/2007	Horimoto	D14/138 AB
D556,720 S *	12/2007	Lee	D14/138 AB
D565,530 S *	4/2008	Asabu	D14/138 AB

D569,361 S *	5/2008	Park	D14/138 AB
D576,597 S *	9/2008	Lim et al.	D14/138 AB
D578,984 S *	10/2008	Oh et al.	D14/138 AB
D585,860 S *	2/2009	Joung et al.	D14/138 AB
D609,684 S *	2/2010	Nara et al.	D14/138 AB
D627,321 S *	11/2010	Ardinghi et al.	D14/138 AB
D635,117 S *	3/2011	Hirota	D14/138 AB
D648,696 S *	11/2011	Hirota et al.	D14/138 AB
D649,133 S *	11/2011	Goto et al.	D14/138 AB
2007/0087793 A1 *	4/2007	Noma et al.	455/575.3

OTHER PUBLICATIONS

Review: Kyocera DuraXT for Sprint, Jul. 27, 2012, Uploaded by phonescoop.com [online], [site visited Jan. 7, 2013]. Available from Internet, <URL: <http://www.phonescoop.com/articles/article.php?a=10869&p=5132>>.*

(Continued)

Primary Examiner — Jeffrey D Asch

(74) *Attorney, Agent, or Firm* — DLA Piper LLP (US)

(57) **CLAIM**

The ornamental design for portable terminal, as shown and described.

DESCRIPTION

FIG. 1 is a front perspective view of a portable terminal showing my new design;

FIG. 2 is a rear perspective view thereof;

FIG. 3 is a front view thereof;

FIG. 4 is a rear view thereof;

FIG. 5 is a top plan view thereof;

FIG. 6 is a bottom view thereof;

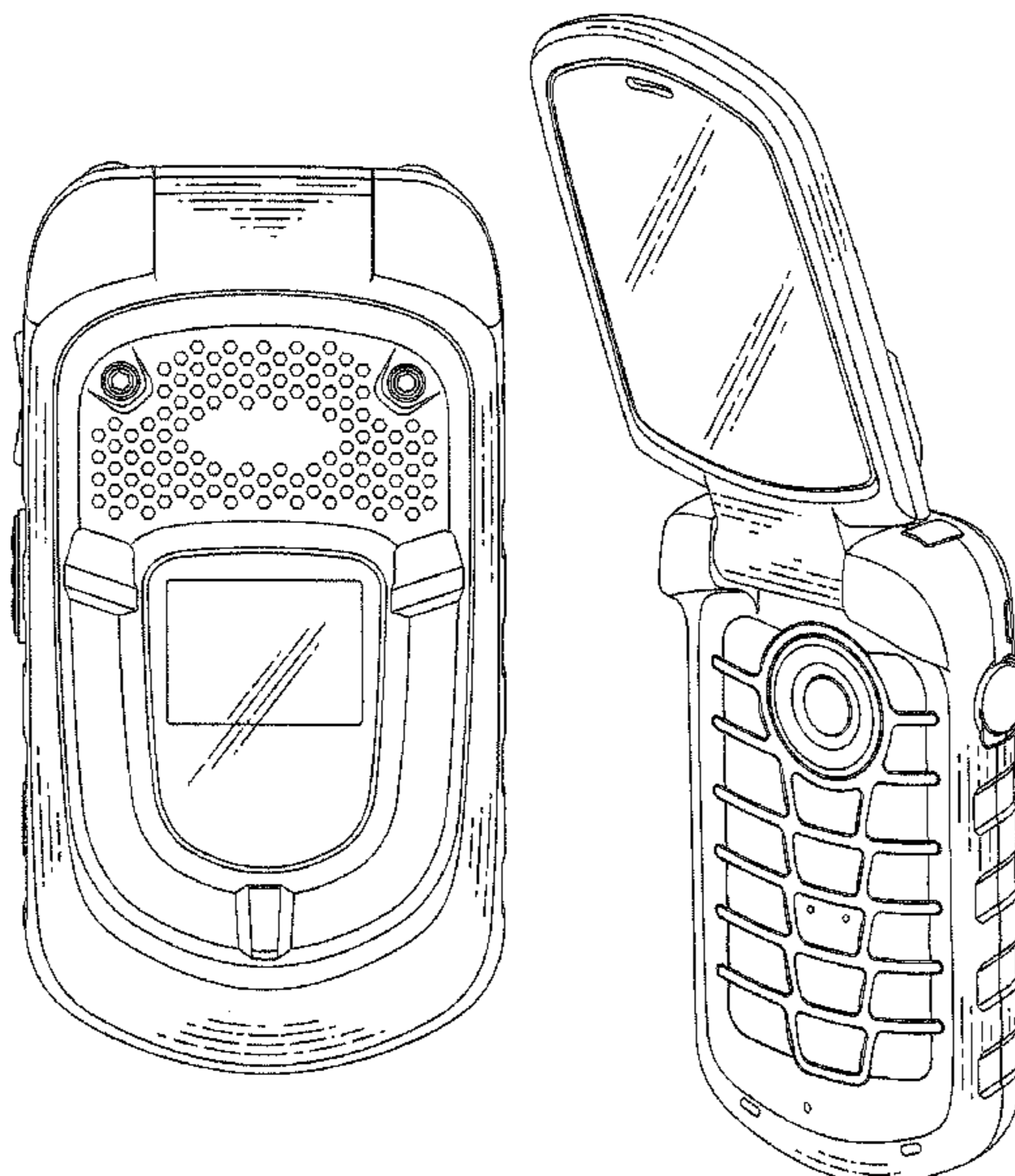
FIG. 7 is a left side view thereof;

FIG. 8 is a right side view thereof;

FIG. 9 is a front perspective view thereof in an opened state; and,

FIG. 10 is a front view thereof in the opened state.

1 Claim, 8 Drawing Sheets



OTHER PUBLICATIONS

Kyocera DuraMax telephone, announced Jul. 2011, [online], [site visited Jan. 2, 2013]. Available from Internet, <URL: http://www.gsmarena.com/kyocera_duramax-4317.php>.*

Kyocera DuraCore E4210 telephone, announced Jul. 2011, [online], [site visited Jan. 2, 2013]. Available from Internet, <URL: http://www.gsmarena.com/kyocera_duracore_e4210-4318.php>.*

Samsung A837 Rugby telephone, announced Sep. 2008, [online], [site visited Jan. 2, 2013]. Available from Internet, <URL: http://www.gsmarena.com/samsung_a837_rugby-2530.php>.*

Samsung W9705 telephone, announced Mar. 2010, [online], [site visited Jan. 2, 2013]. Available from Internet, <URL: http://www.gsmarena.com/samsung_w9705-3243.php>.*

* cited by examiner

FIG. 1

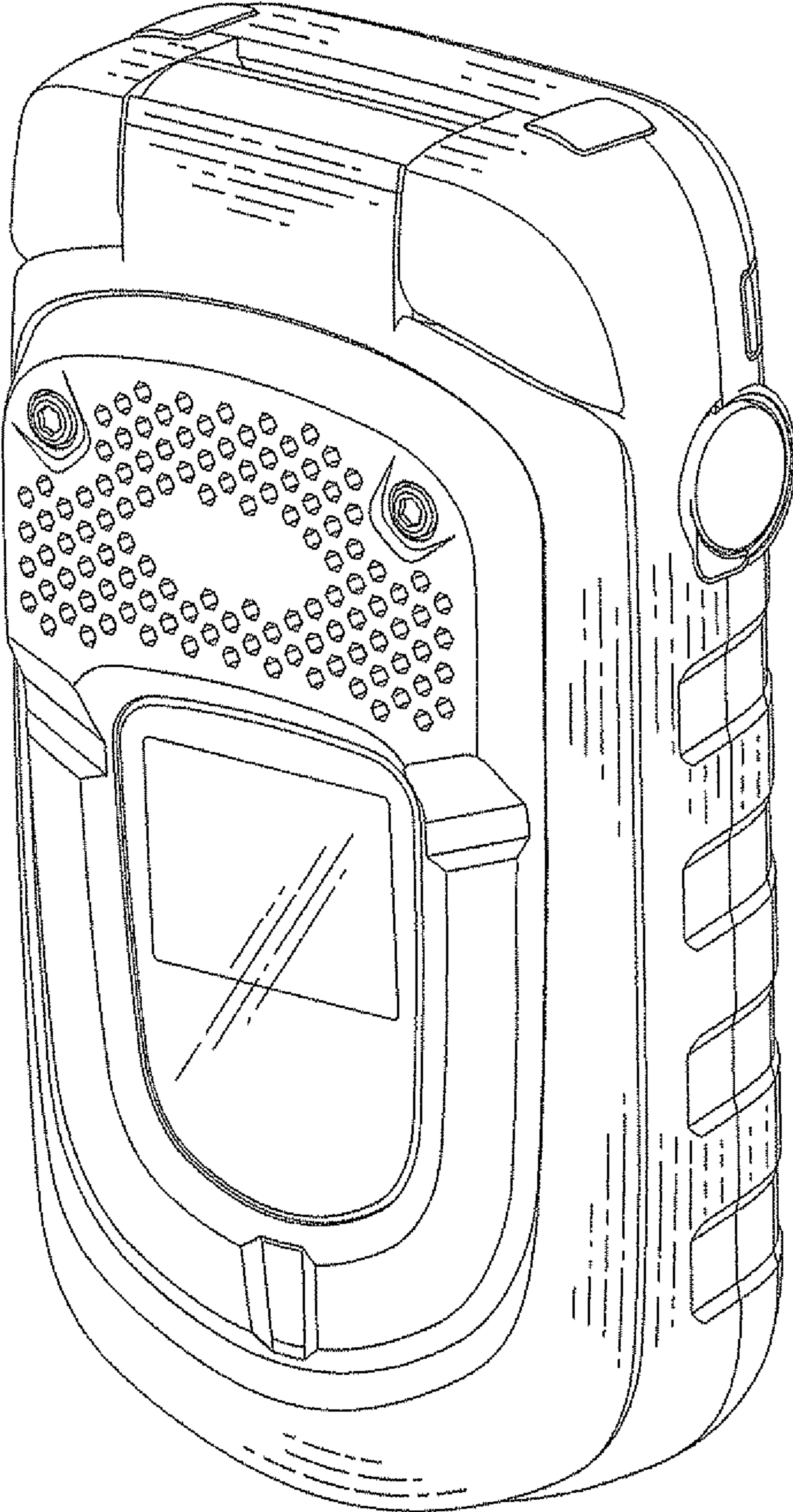


FIG. 2

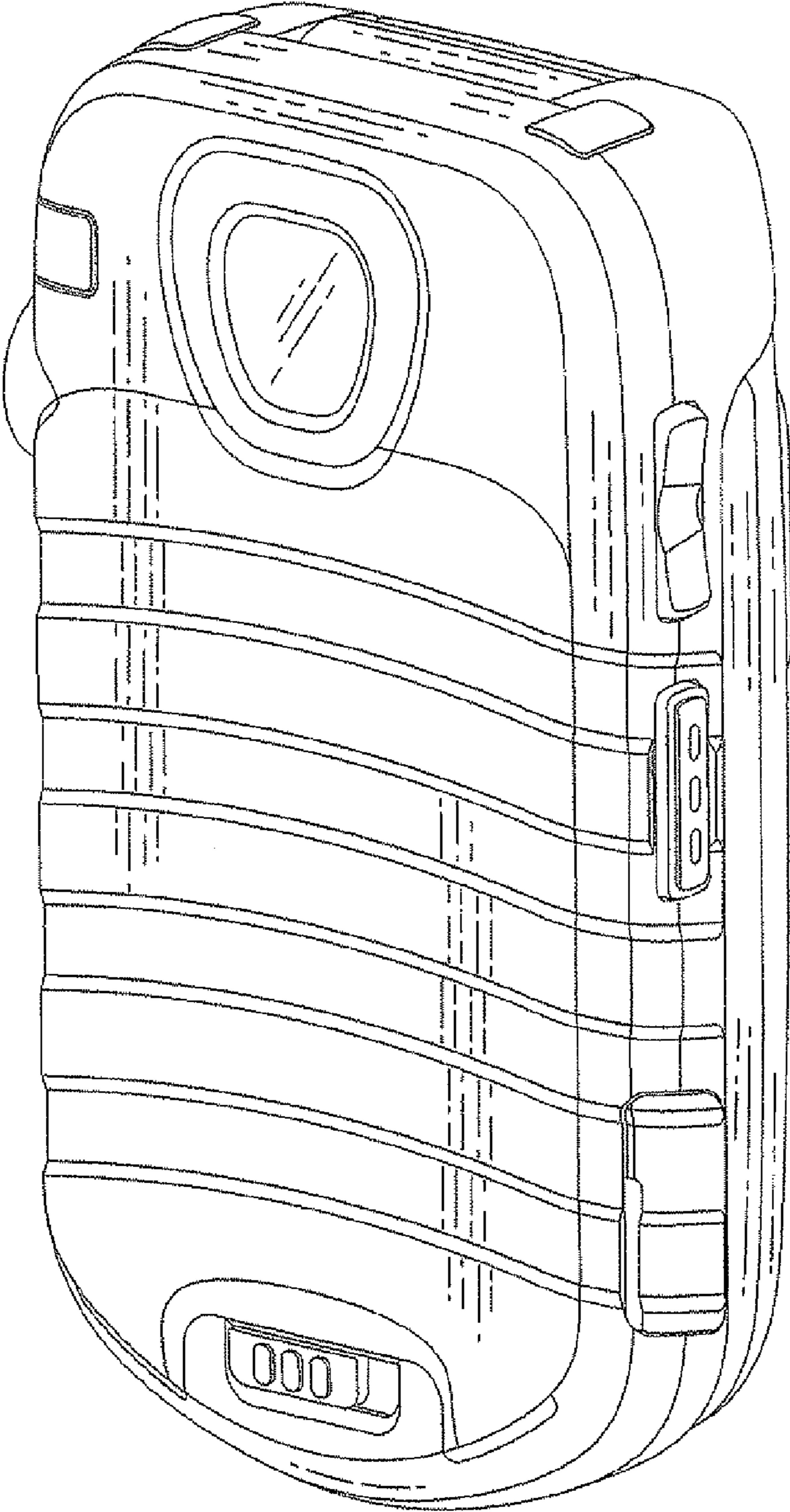


FIG. 3

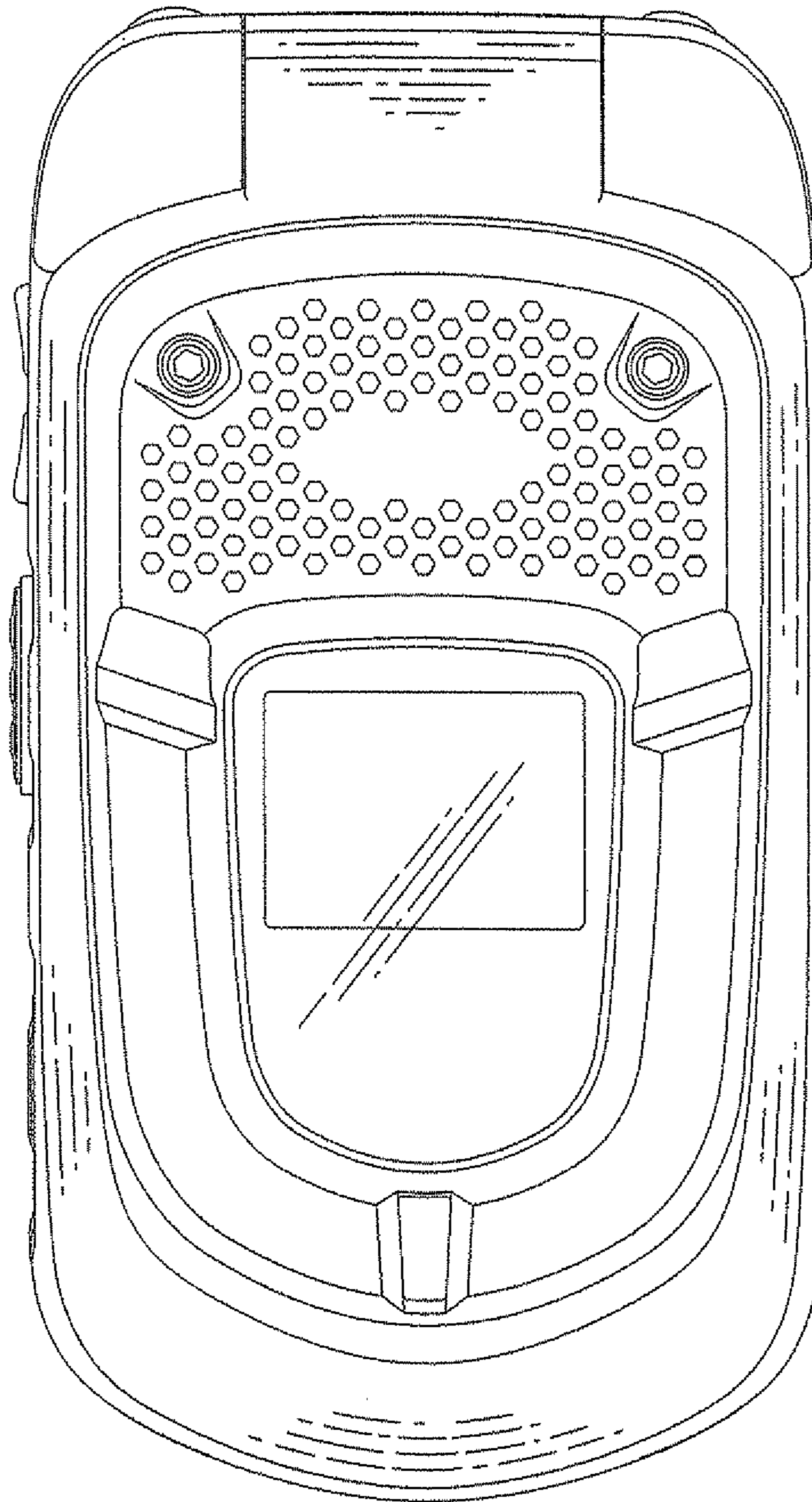


FIG. 4

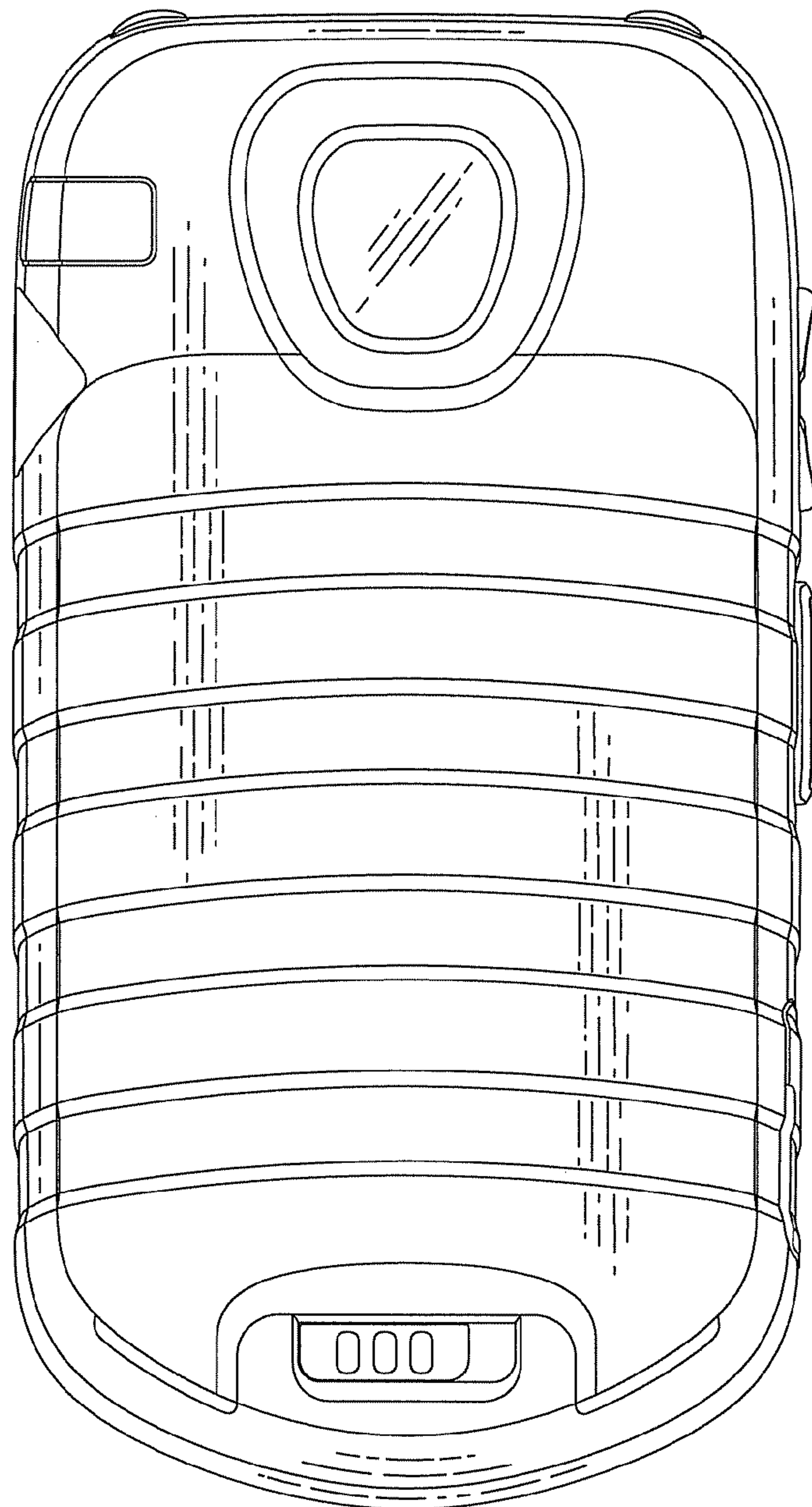


FIG. 5

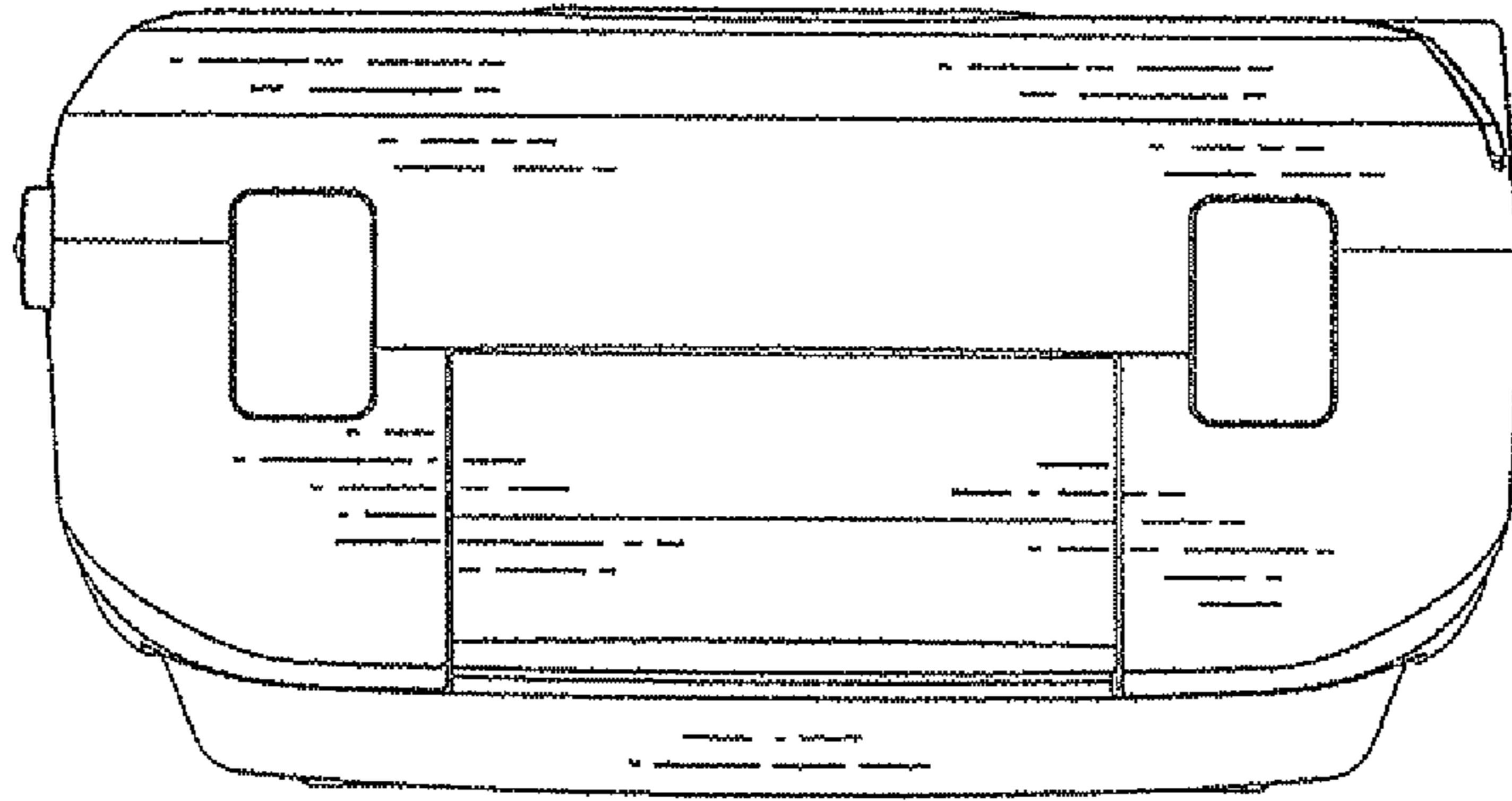


FIG. 6

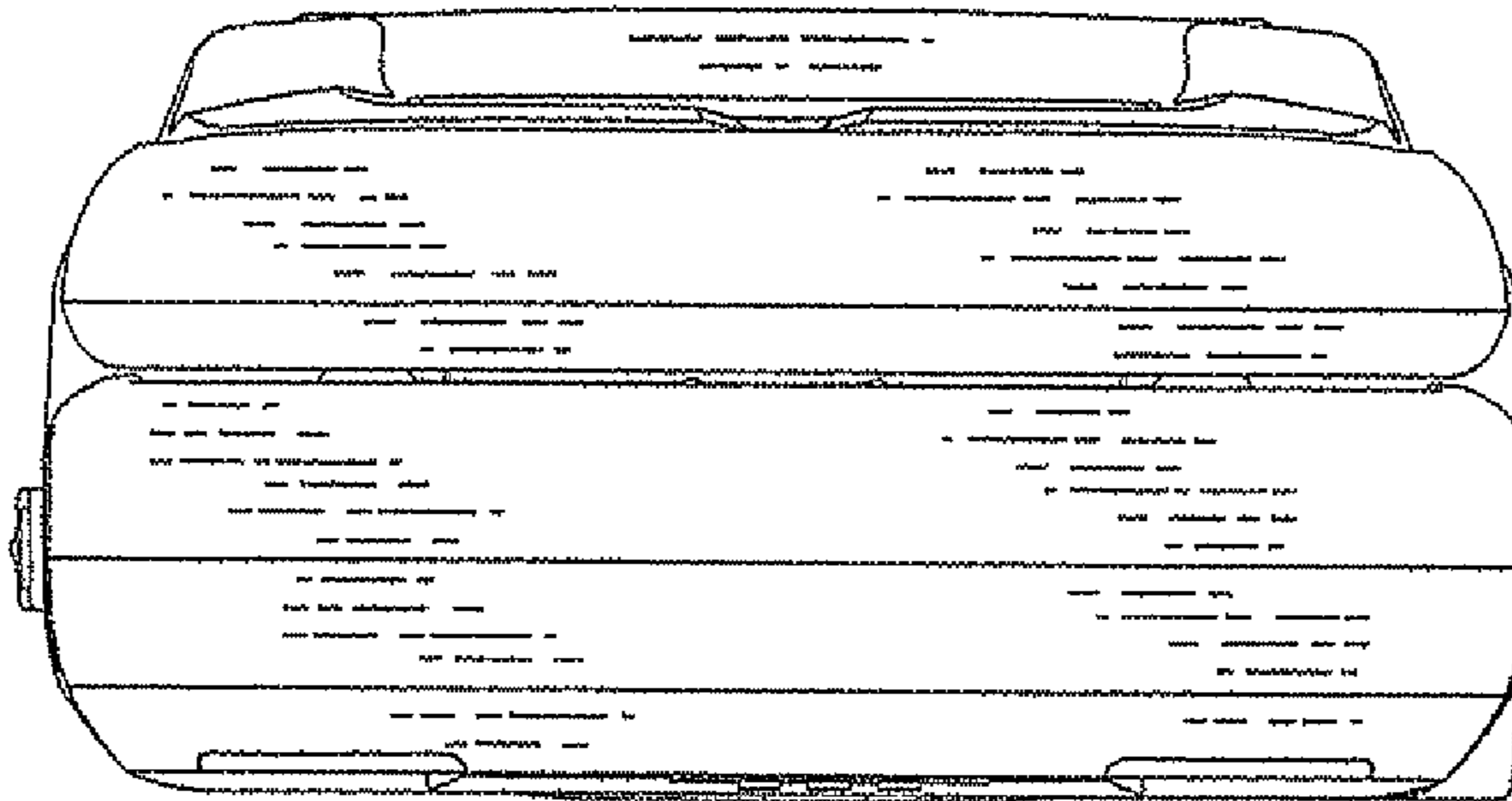


FIG. 7

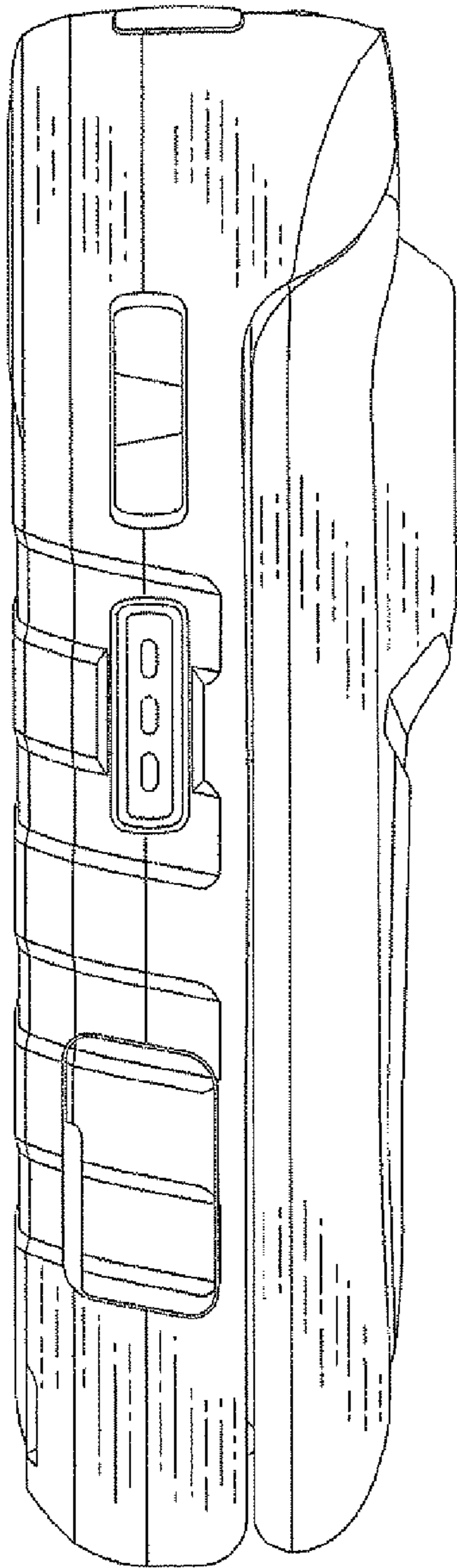


FIG. 8

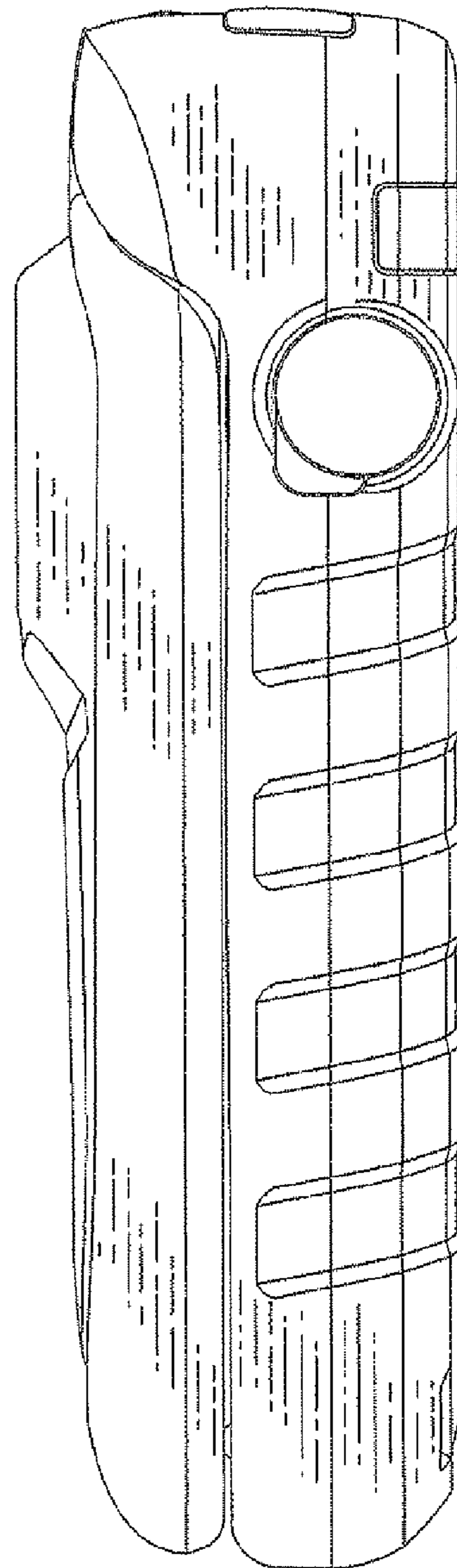


FIG. 9

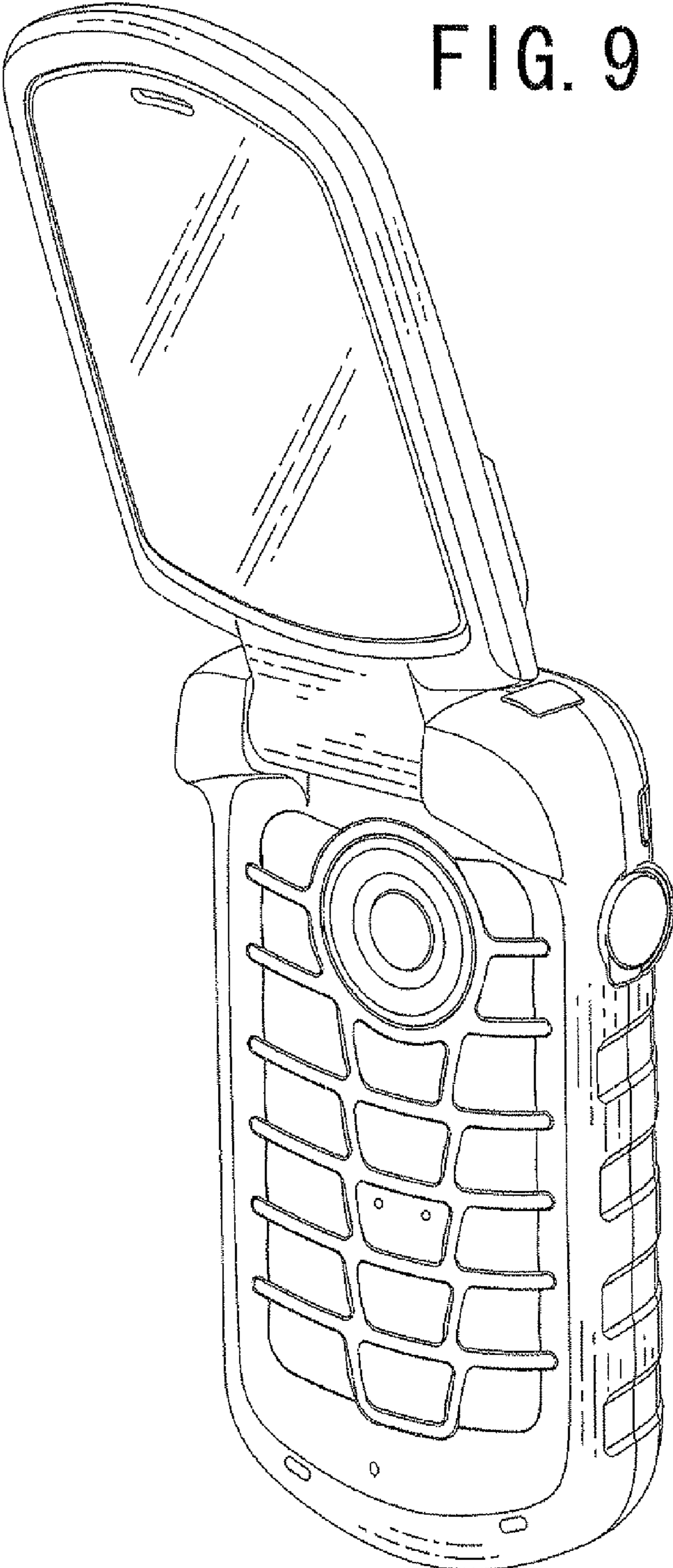


FIG. 10

