



US00D682238S

(12) **United States Design Patent**  
**Park et al.**

(10) **Patent No.:** **US D682,238 S**

(45) **Date of Patent:** **\*\* May 14, 2013**

(54) **COMMUNICATION DEVICE**

*Primary Examiner* — Jeffrey D Asch

(75) Inventors: **Cheol Woo Park**, Chicago, IL (US); **Xin Se**, Beijing (CN)

(57) **CLAIM**

The ornamental design for a communication device, as shown and described.

(73) Assignee: **Motorola Mobility LLC**, Libertyville, IL (US)

**DESCRIPTION**

(\*\*) Term: **14 Years**

(21) Appl. No.: **29/417,970**

(22) Filed: **Apr. 11, 2012**

(51) **LOC (9) Cl.** ..... **14-03**

(52) **U.S. Cl.**  
USPC ..... **D14/138 AA**

(58) **Field of Classification Search** ..... D14/138 AA,  
D14/138 R, 496, 341, 345, 346, 203.1, 203.4,  
D14/203.7, 147, 218; D21/517; 455/575.1,  
455/556.2; 379/433.01, 433.04

See application file for complete search history.

FIG. 1 is a front perspective view of a first embodiment of an ornamental design for a communication device;  
FIG. 2 is a rear perspective view of the first embodiment thereof;  
FIG. 3 is a front view of the first embodiment thereof;  
FIG. 4 is a rear view of the first embodiment thereof;  
FIG. 5 is a first side view of the first embodiment thereof;  
FIG. 6 is a second side view of the first embodiment thereof;  
FIG. 7 is a top view of the first embodiment thereof; and  
FIG. 8 is a bottom view of the first embodiment thereof.  
FIG. 9 is a front perspective view of a second embodiment of an ornamental design for a communication device;  
FIG. 10 is a rear perspective view of the second embodiment thereof;  
FIG. 11 is a front view of the second embodiment thereof;  
FIG. 12 is a rear view of the second embodiment thereof;  
FIG. 13 is a first side view of the second embodiment thereof;  
FIG. 14 is a second side view of the second embodiment thereof;  
FIG. 15 is a top view of the second embodiment thereof; and,  
FIG. 16 is a bottom view of the second embodiment thereof.  
The broken lines shown in FIGS. 1-8, that are immediately adjacent to the shaded areas, and define unshaded regions, represent the bounds of the first embodiment, while all other broken lines are directed to environment and are for illustrative purposes only; the broken lines form no part of the first embodiment.

(56) **References Cited**

**U.S. PATENT DOCUMENTS**

- D554,634 S \* 11/2007 Huang ..... D14/341
- D593,556 S \* 6/2009 Hofer et al. .... D14/346
- D601,540 S \* 10/2009 Kim et al. .... D14/138 AA
- D601,987 S \* 10/2009 Park et al. .... D14/138 AA
- D603,833 S \* 11/2009 Ho et al. .... D14/138 AA

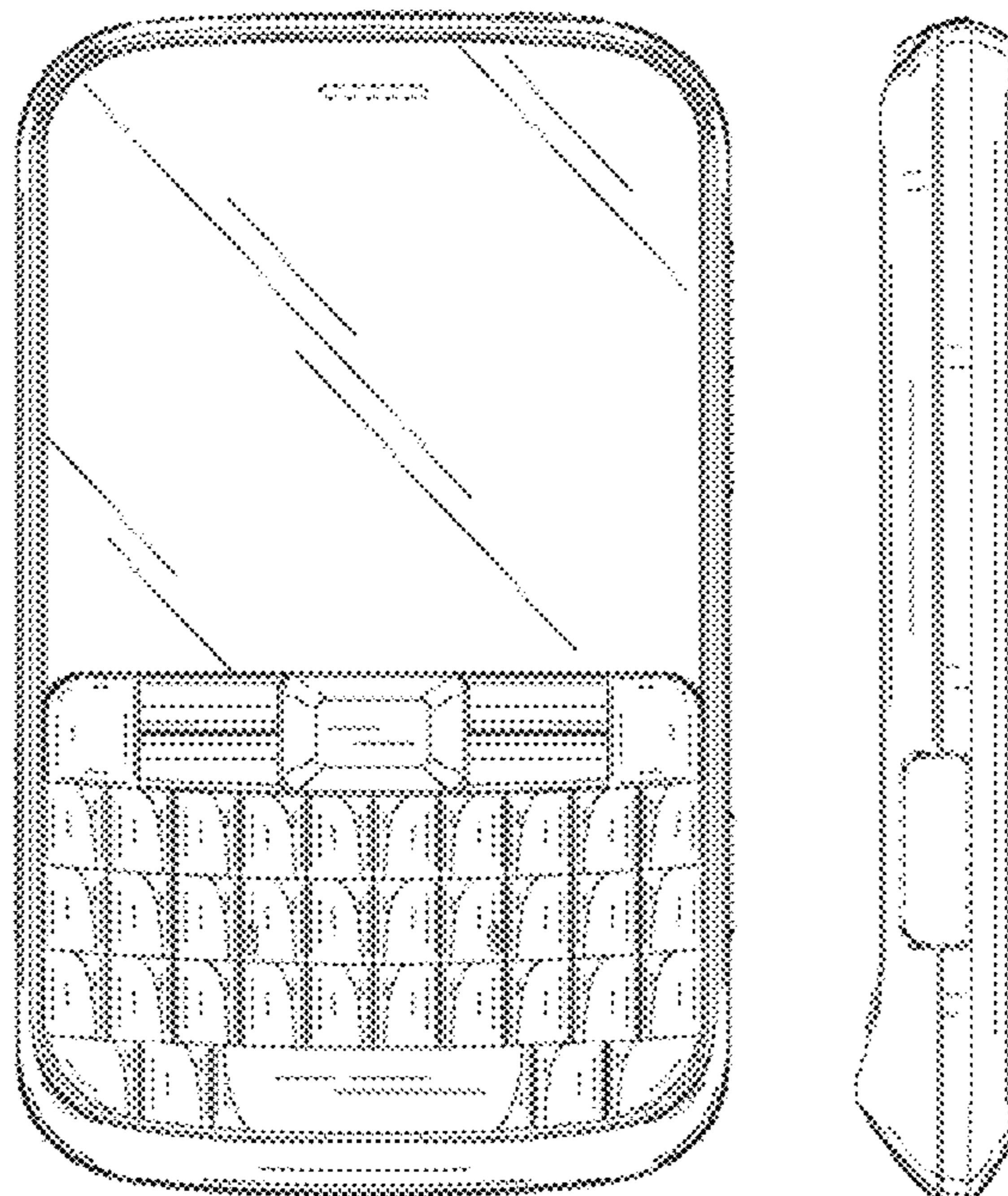
(Continued)

**OTHER PUBLICATIONS**

Motorola Defy Pro telephone, announced Jul. 2012, [online], [site visited Sep. 10, 2012]. Available from Internet, <URL: [http://www.gsmarena.com/motorola\\_defy\\_pro-4868.php](http://www.gsmarena.com/motorola_defy_pro-4868.php)>.\*

(Continued)

**1 Claim, 12 Drawing Sheets**



U.S. PATENT DOCUMENTS

D607,868	S	*	1/2010	Kim et al. ....	D14/138 AA
D614,159	S	*	4/2010	Lee et al. ....	D14/138 AA
D615,062	S	*	5/2010	Tsai et al. ....	D14/138 AA
D615,524	S	*	5/2010	He .....	D14/138 AA
D620,468	S	*	7/2010	Kim et al. ....	D14/138 AA
D622,247	S	*	8/2010	Kwon et al. ....	D14/138 AA
D631,863	S	*	2/2011	Park et al. ....	D14/138 AA
D636,363	S	*	4/2011	Stillerman et al. ....	D14/138 AA
D637,989	S	*	5/2011	Pan et al. ....	D14/138 AA
D637,991	S		5/2011	Hu	
D640,219	S		6/2011	Sutherland et al.	
D642,153	S	*	7/2011	Nilsen et al. ....	D14/138 AA
D643,395	S	*	8/2011	Moss .....	D14/138 AA
D646,663	S	*	10/2011	Seo et al. ....	D14/138 AA
D647,870	S	*	11/2011	Lee .....	D14/138 AA
D648,302	S	*	11/2011	Park et al. ....	D14/138 AA
D649,134	S	*	11/2011	Lee .....	D14/138 AA
D654,043	S		2/2012	Pan et al.	
D658,619	S	*	5/2012	Cai .....	D14/138 AA
D658,625	S		5/2012	Paradise et al.	
D660,263	S	*	5/2012	Hofer et al. ....	D14/138 AA
D663,283	S	*	7/2012	Calo et al. ....	D14/138 AA
D663,712	S	*	7/2012	Chen et al. ....	D14/138 AA
D664,942	S		8/2012	Boucquey et al.	
D671,903	S	*	12/2012	Geum .....	D14/138 AA
D671,904	S	*	12/2012	Geum .....	D14/138 AA
2009/0209301	A1	*	8/2009	Lin et al. ....	455/575.1

OTHER PUBLICATIONS

Motorola Motokey 3-Chip EX117 telephone, announced May 2012, [online], [site visited Sep. 10, 2012]. Available from Internet, <URL:

[http://www.gsmarena.com/motorola\\_motokey\\_3\\_chip\\_ex117-4796.php](http://www.gsmarena.com/motorola_motokey_3_chip_ex117-4796.php)>.\*

Motorola Motokey Mini EX108 telephone, announced Jun. 2011, [online], [site visited Sep. 10, 2012]. Available from Internet, <URL: [http://www.gsmarena.com/motorola\\_motokey\\_mini\\_ex108-4062.php](http://www.gsmarena.com/motorola_motokey_mini_ex108-4062.php)>.\*

LG C105 telephone, announced Jul. 2010, [online], [site visited Sep. 10, 2012]. Available from Internet, <URL: [http://www.gsmarena.com/lg\\_c105-3444.php](http://www.gsmarena.com/lg_c105-3444.php)>.\*

LG X335 telephone, announced 2011, [online], [site visited Sep. 10, 2012]. Available from Internet, <URL: [http://www.gsmarena.com/lg\\_x335-3852.php](http://www.gsmarena.com/lg_x335-3852.php)>.\*

Alcatel OT-902 telephone, announced Jun. 2012, [online], [site visited Sep. 10, 2012]. Available from Internet, <URL: [http://www.gsmarena.com/alcatel\\_ot\\_902-4730.php](http://www.gsmarena.com/alcatel_ot_902-4730.php)>.\*

Motorola MotoGO telephone, announced May 2012, [online], [site visited Sep. 10, 2012]. Available from Internet, <URL: [http://www.gsmarena.com/motorola\\_motogo-4746.php](http://www.gsmarena.com/motorola_motogo-4746.php)>.\*

Motorola Defy Pro XT560 telephone, announced Jul. 2012, [online], [site visited Dec. 17, 2012]. Available from Internet, <URL: [http://www.gsmarena.com/motorola\\_defy\\_pro\\_xt560-4868.php](http://www.gsmarena.com/motorola_defy_pro_xt560-4868.php)>.\*

Motorola MotoGO EX430 telephone, announced May 2012, [online], [site visited Dec. 17, 2012]. Available from Internet, <URL: [http://www.gsmarena.com/motorola\\_motogo\\_ex430-4746.php](http://www.gsmarena.com/motorola_motogo_ex430-4746.php)>.\*

Samsung Ch@t 357 telephone, announced Q3 2012, [online], [site visited Dec. 17, 2012]. Available from Internet, <URL: [http://www.gsmarena.com/samsung\\_ch@t\\_357-4931.php](http://www.gsmarena.com/samsung_ch@t_357-4931.php)>.\*

Cheol Woo Park, "Communication Device", Apr. 11, 2012, U.S. Appl. No. 29/417,988.

\* cited by examiner



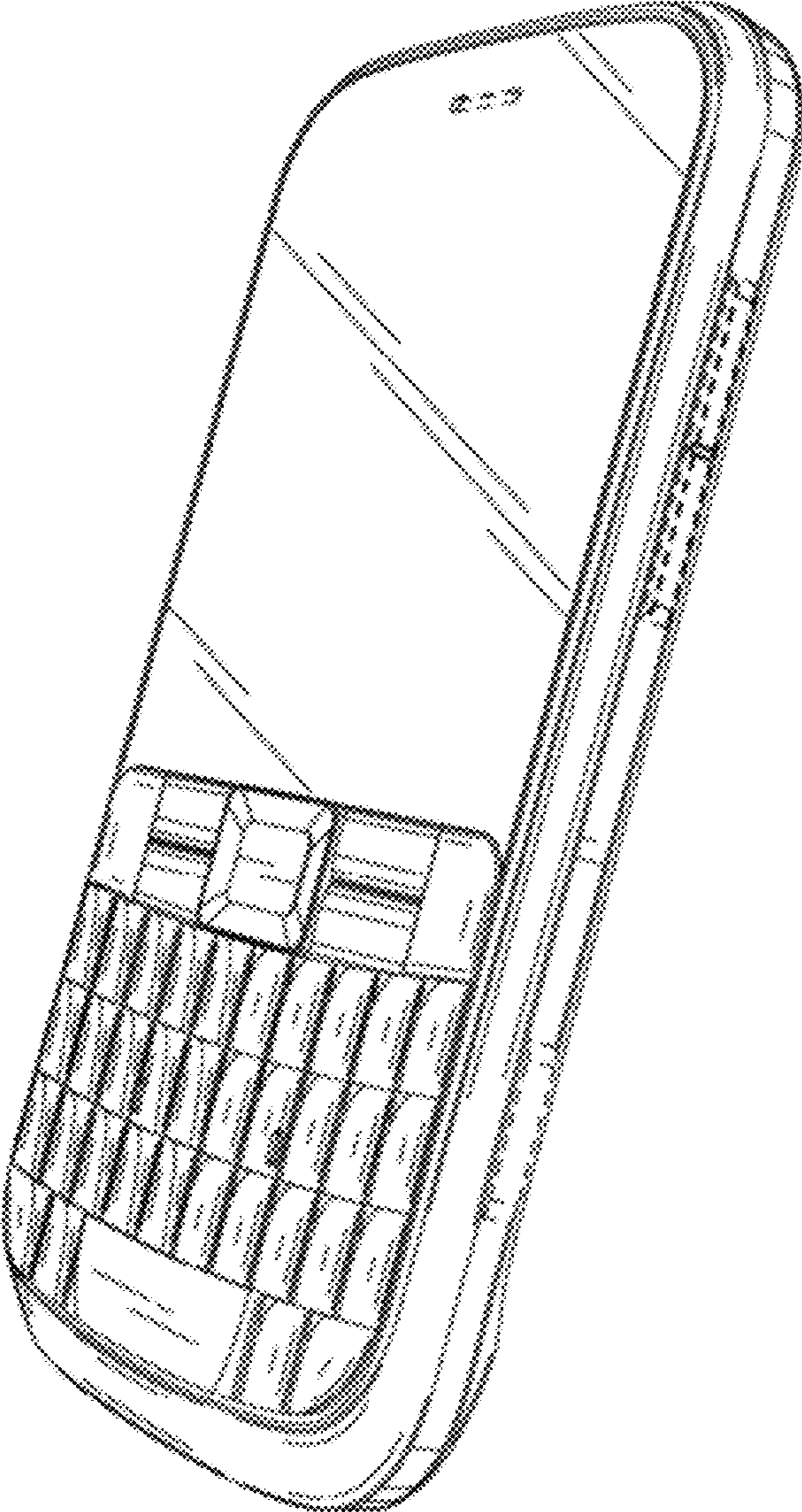


FIG. 1

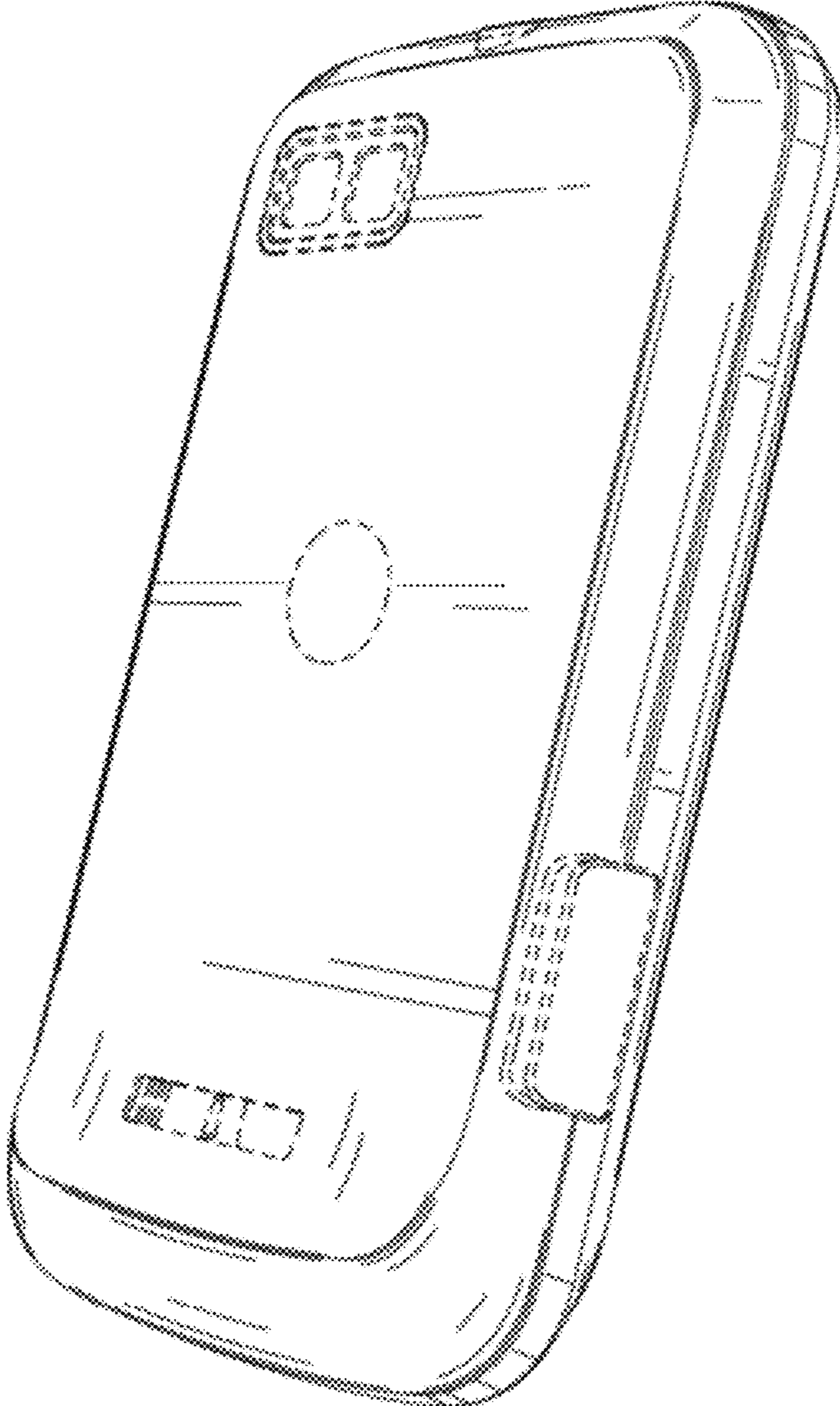


FIG. 2

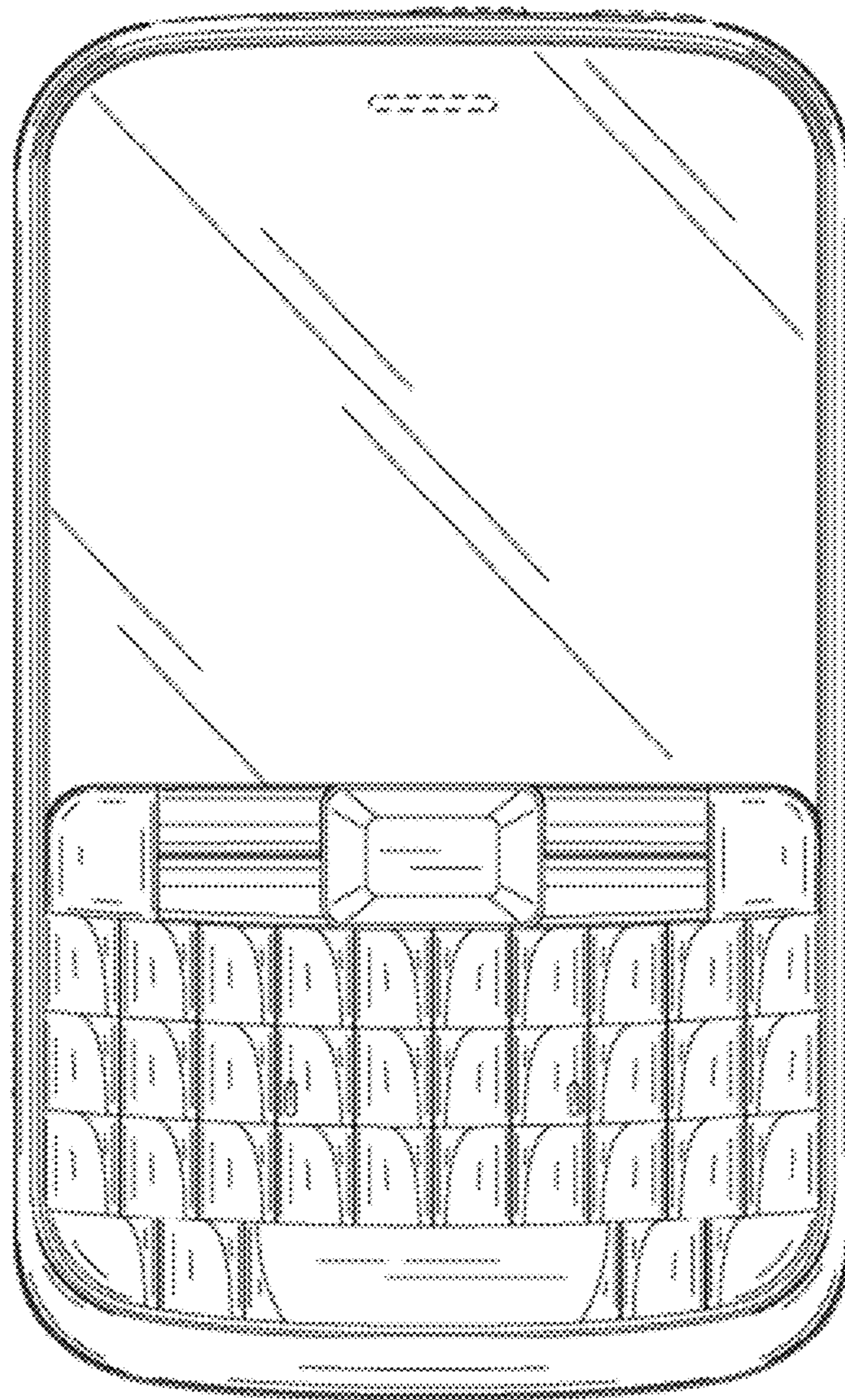


FIG. 3



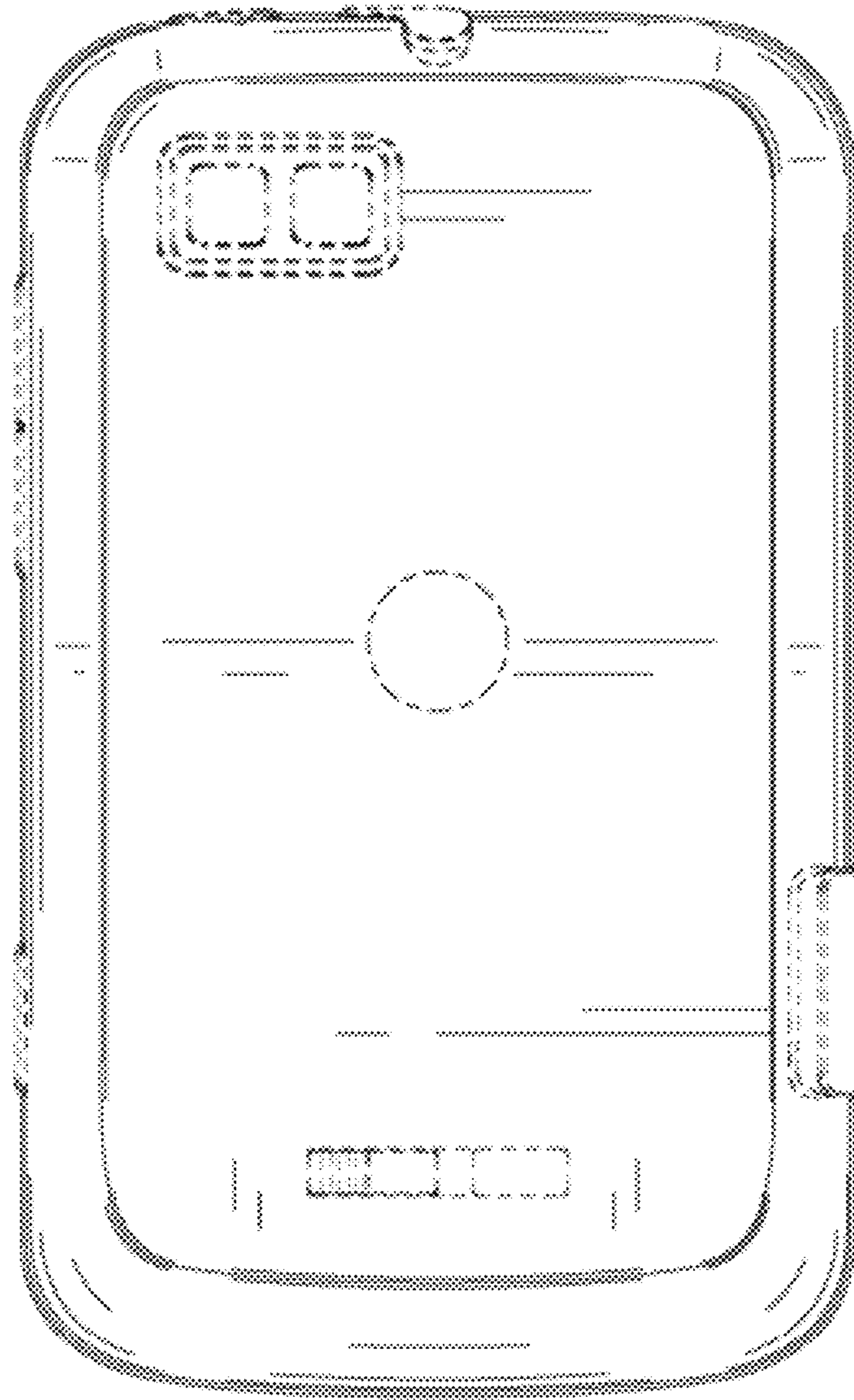


FIG. 4

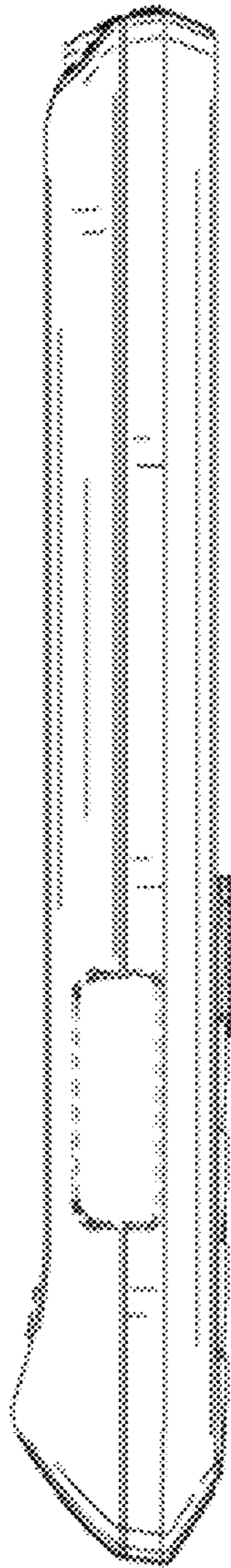


FIG. 5

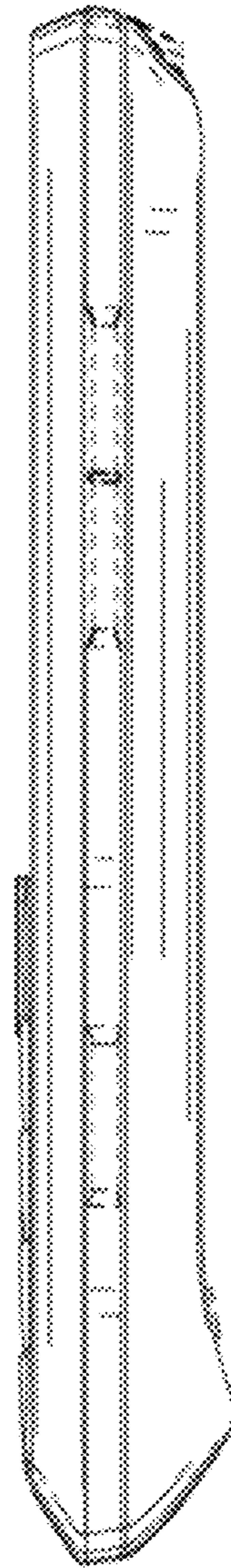


FIG. 6



FIG. 7

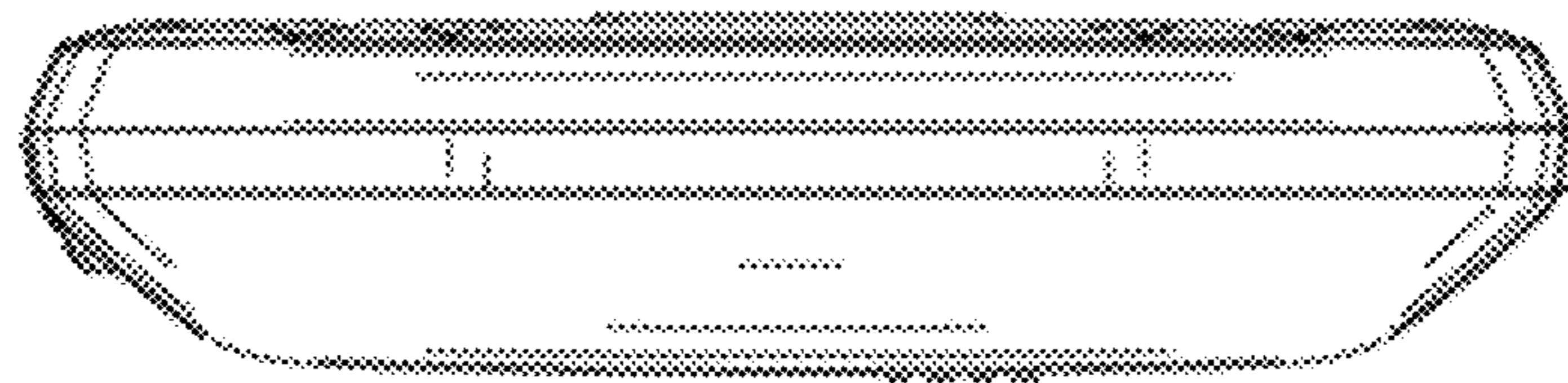


FIG. 8



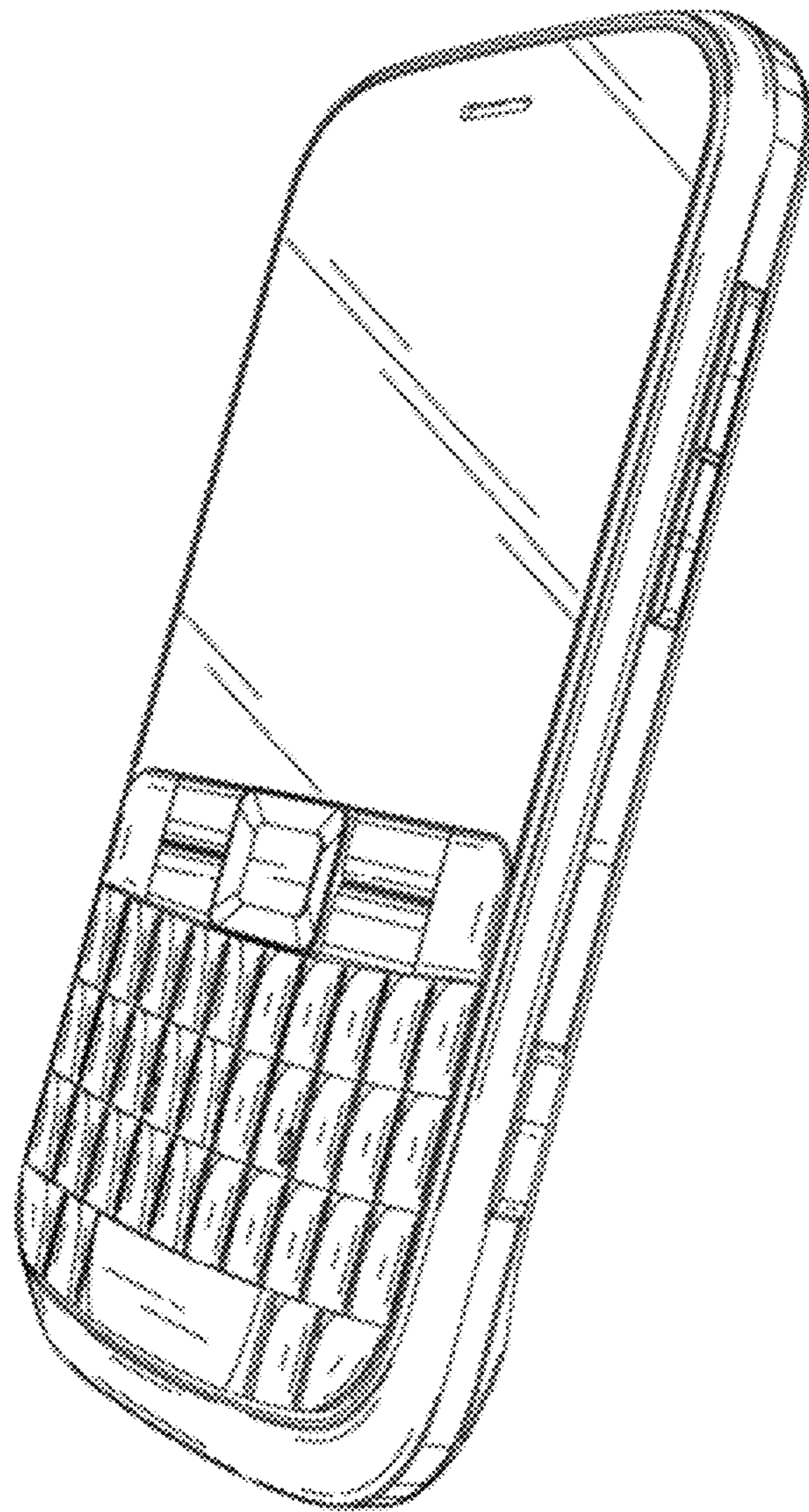


FIG. 9

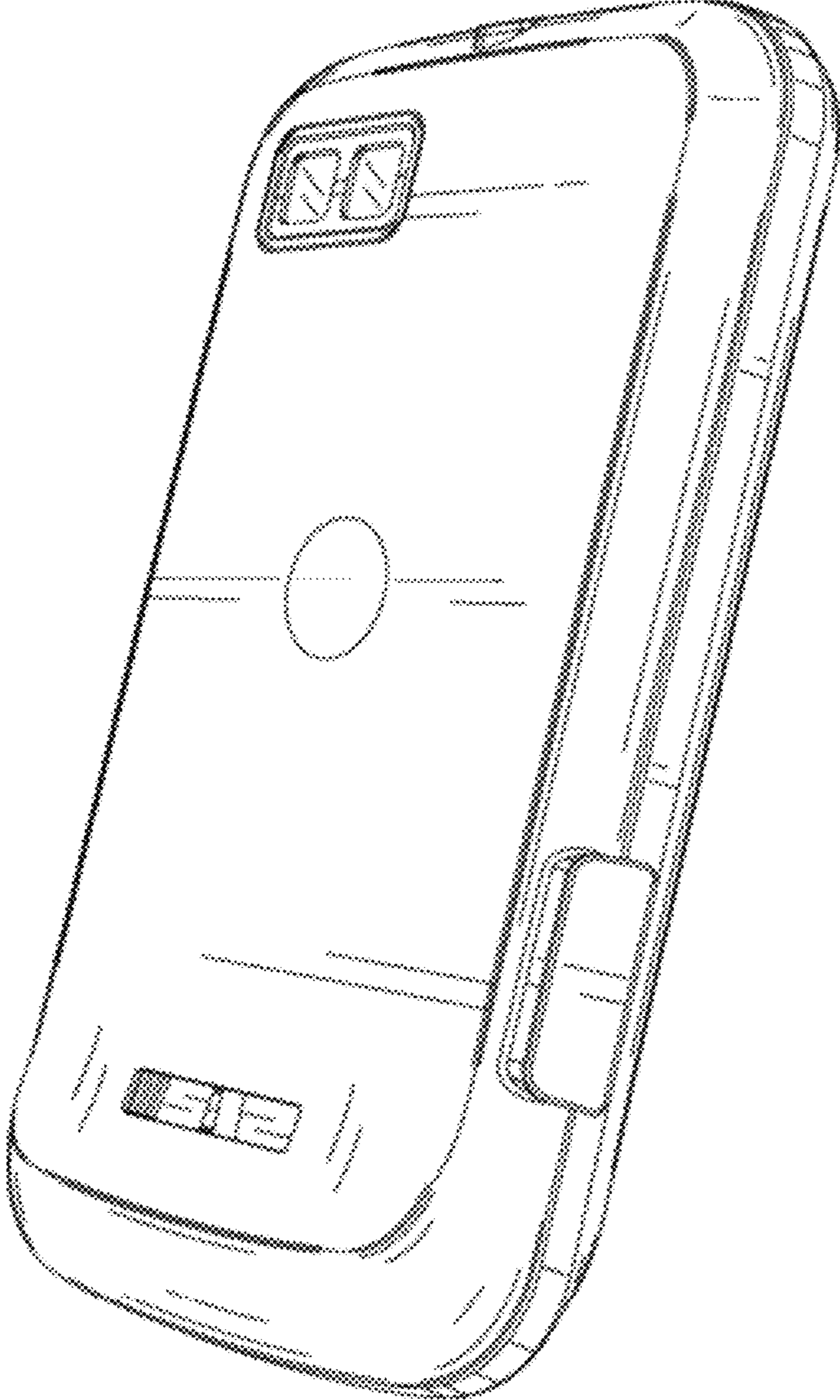


FIG. 10

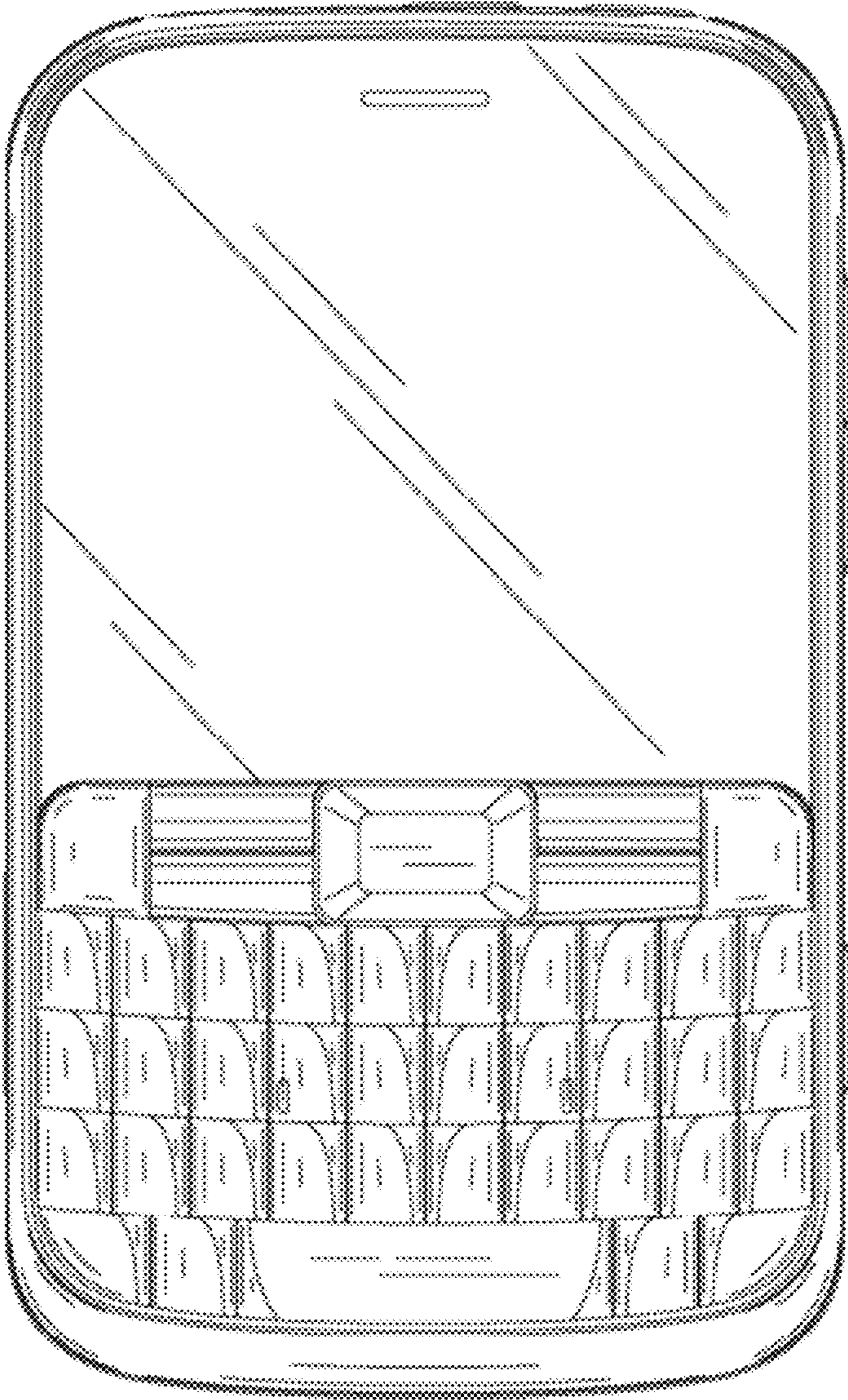


FIG. 11



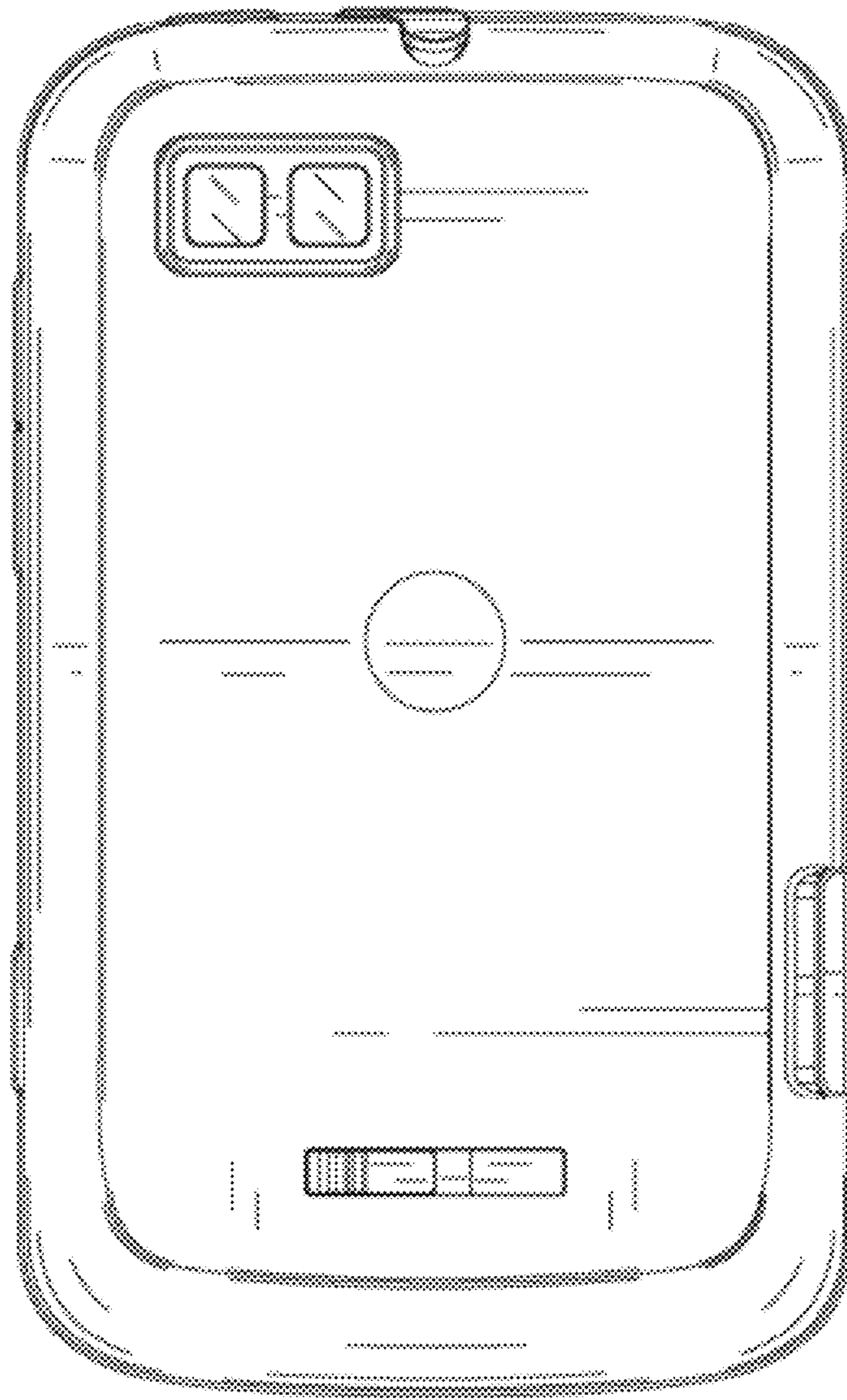


FIG. 12

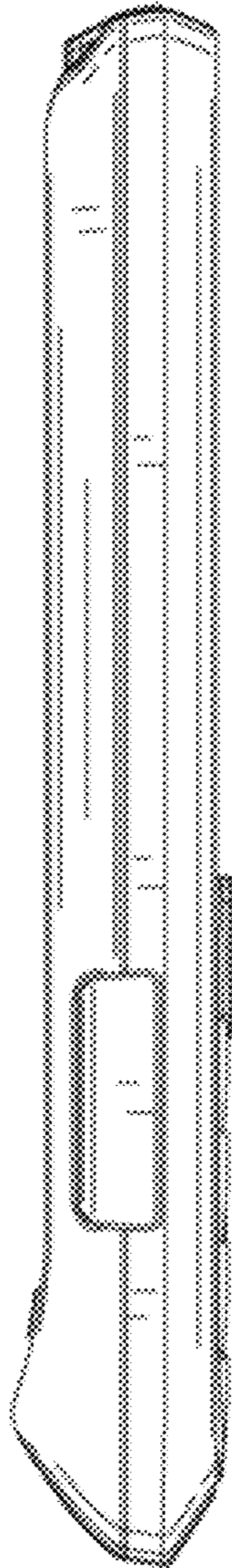


FIG. 13

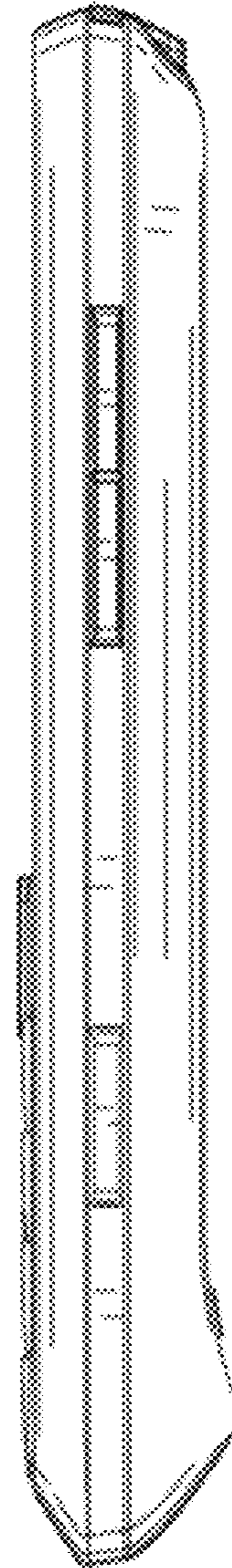


FIG. 14

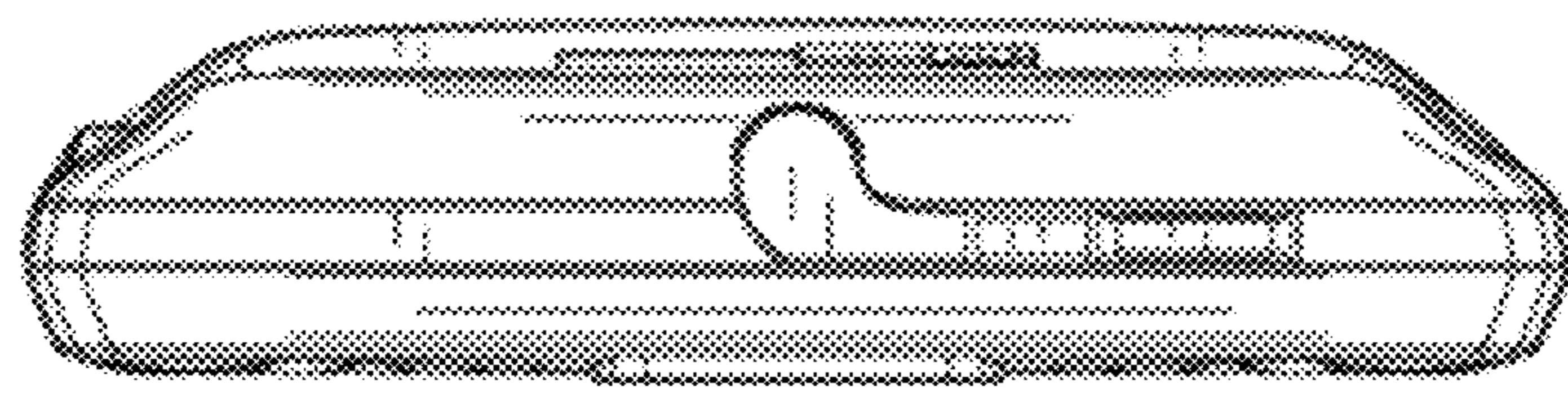


FIG. 15

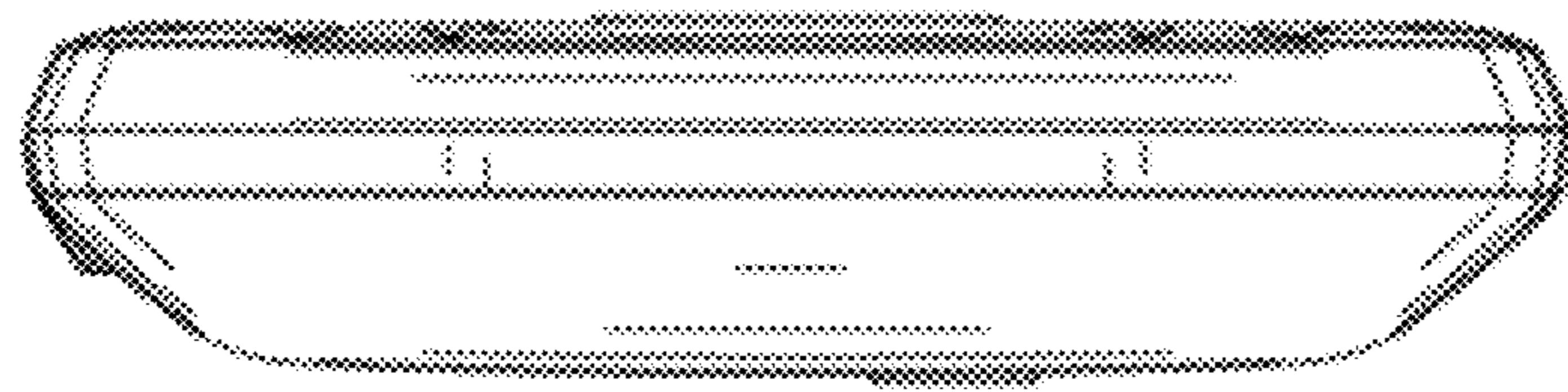


FIG. 16