



US00D682222S

(12) **United States Design Patent**
Crucitti

(10) **Patent No.:** **US D682,222 S**

(45) **Date of Patent:** **** May 14, 2013**

(54) **CABLE GUIDE**

(56) **References Cited**

(75) Inventor: **Rodolfo Crucitti**, Varese (IT)

U.S. PATENT DOCUMENTS

(73) Assignee: **A.S.A. Plastici Azienda Stampaggio**
Articoli Plastici S.r.l., Trezzano sul
Naviglio (IT)

D401,907 S *	12/1998	Gazero	D13/155
D413,078 S *	8/1999	Hanson	D11/141
D438,177 S *	2/2001	Rogers	D13/199
D464,559 S *	10/2002	Bjorklund	D8/356
D490,126 S *	5/2004	Nakane	D21/564
D606,025 S *	12/2009	Cheng et al.	D13/155

(**) Term: **14 Years**

* cited by examiner

(21) Appl. No.: **29/421,445**

Primary Examiner — Derrick Holland

(22) Filed: **Jul. 30, 2012**

(74) *Attorney, Agent, or Firm* — Modiano & Associati;
Albert Josif; Daniel O'Byrne

(30) **Foreign Application Priority Data**

(57) **CLAIM**

The ornamental design for "cable guide", as shown and described.

Feb. 9, 2012 (EM) 001989443

DESCRIPTION

(51) **LOC (9) Cl.** **13-03**

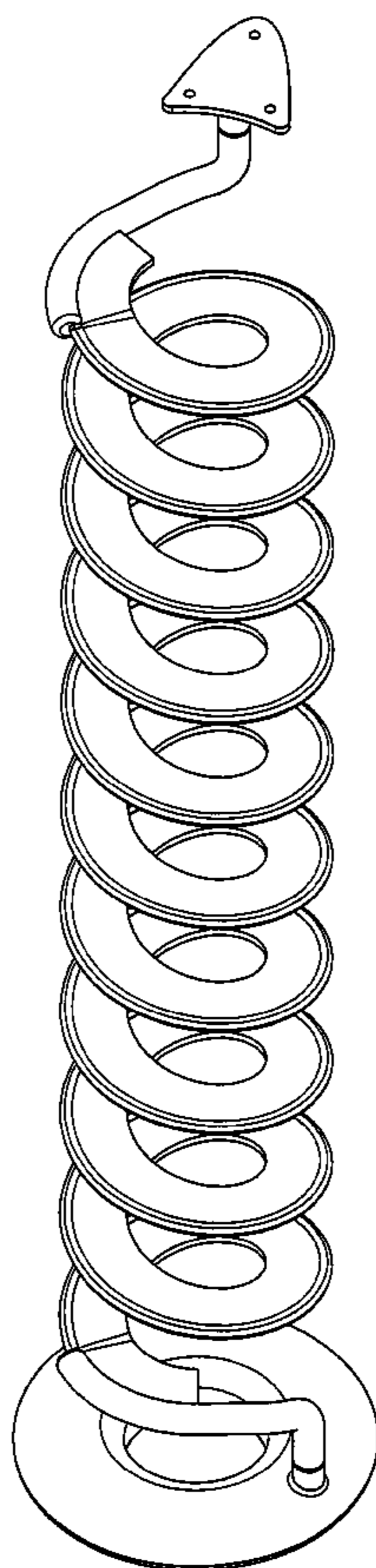
(52) **U.S. Cl.**
USPC **D13/155**

(58) **Field of Classification Search** D13/155,
D13/153, 154, 156, 157, 184, 199; D8/349,
D8/354, 356, 394; 174/68.1, 68.2, 68.3;
248/49, 53, 60; 361/827; 385/134, 135;
439/207, 210, 445, 446, 447

FIG. 1 is a perspective view of the cable guide;
FIG. 2 is a front view thereof;
FIG. 3 is a rear view thereof;
FIG. 4 is a left side view thereof;
FIG. 5 is a right side view thereof;
FIG. 6 is a plan view thereof, taken from above; and,
FIG. 7 is a plan view thereof, taking from below.

See application file for complete search history.

1 Claim, 6 Drawing Sheets



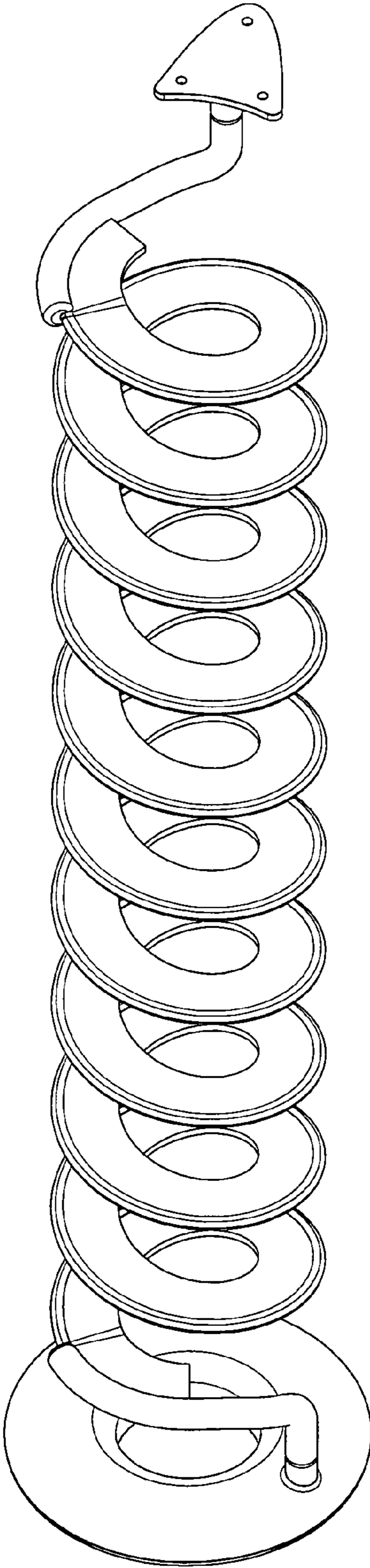


Fig. 1

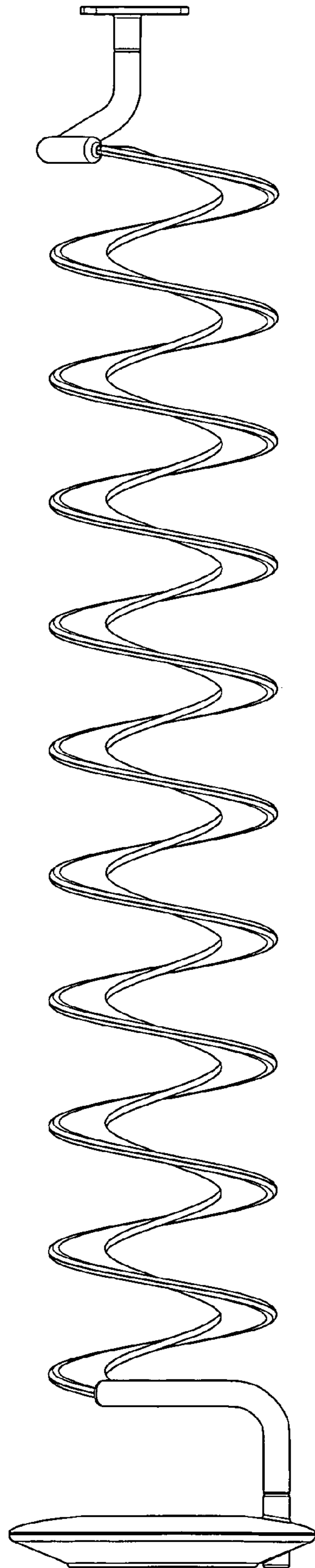


Fig. 2

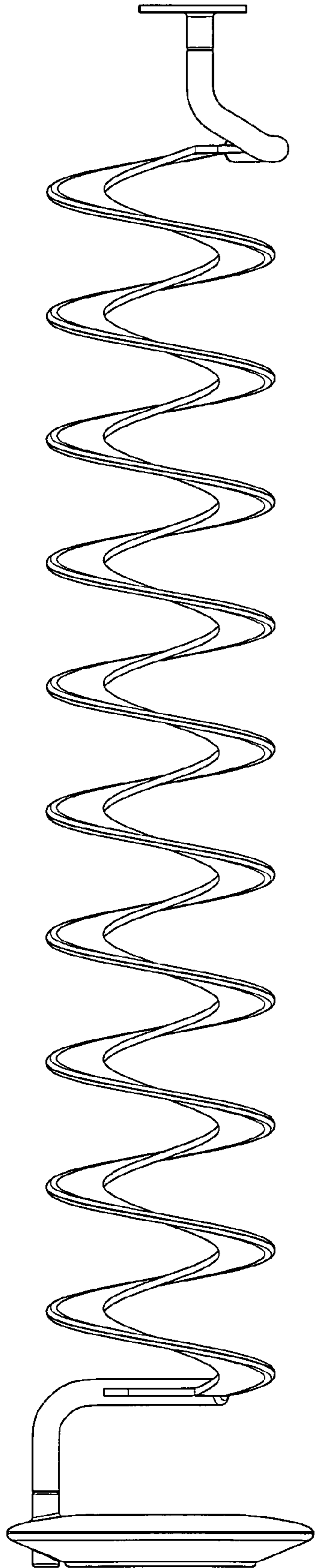


Fig. 3

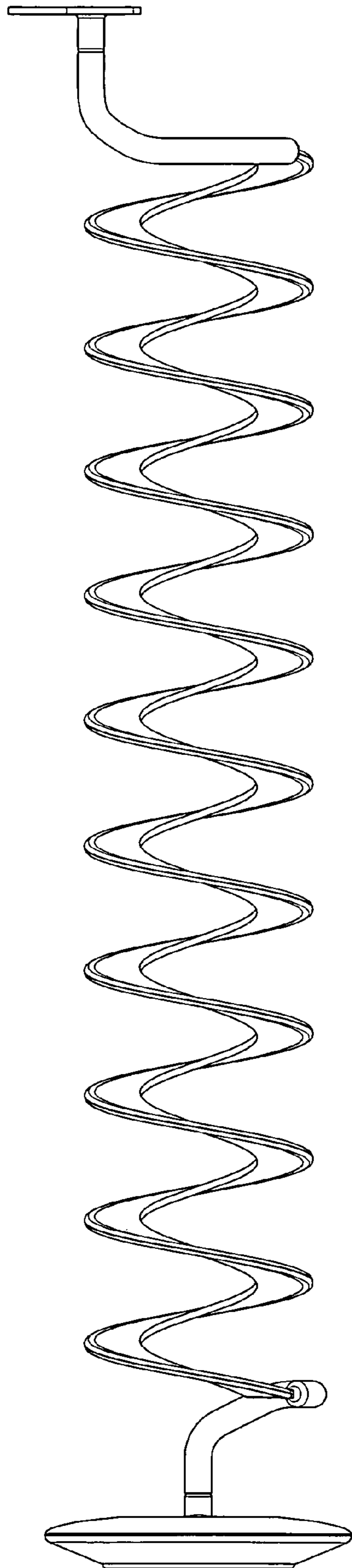


Fig. 4

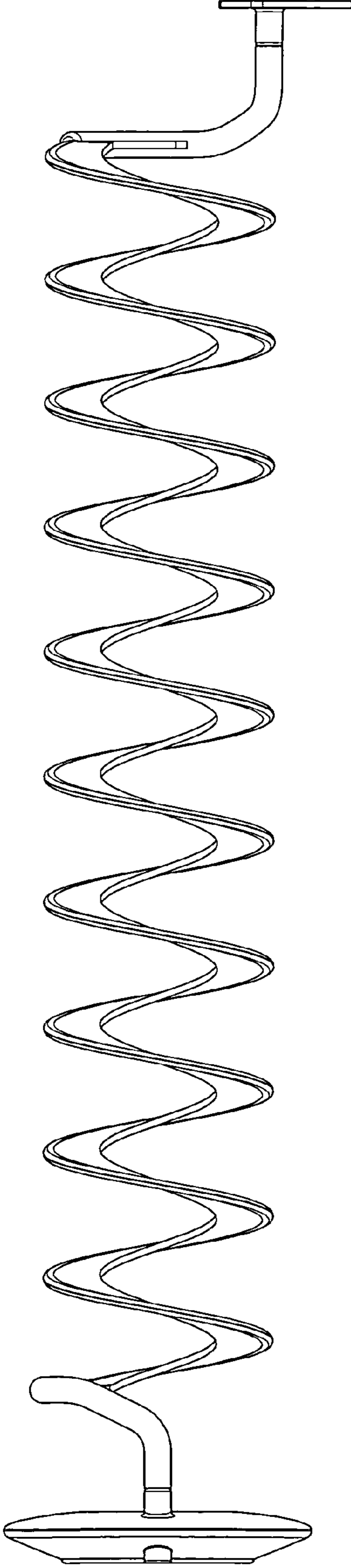


Fig. 5

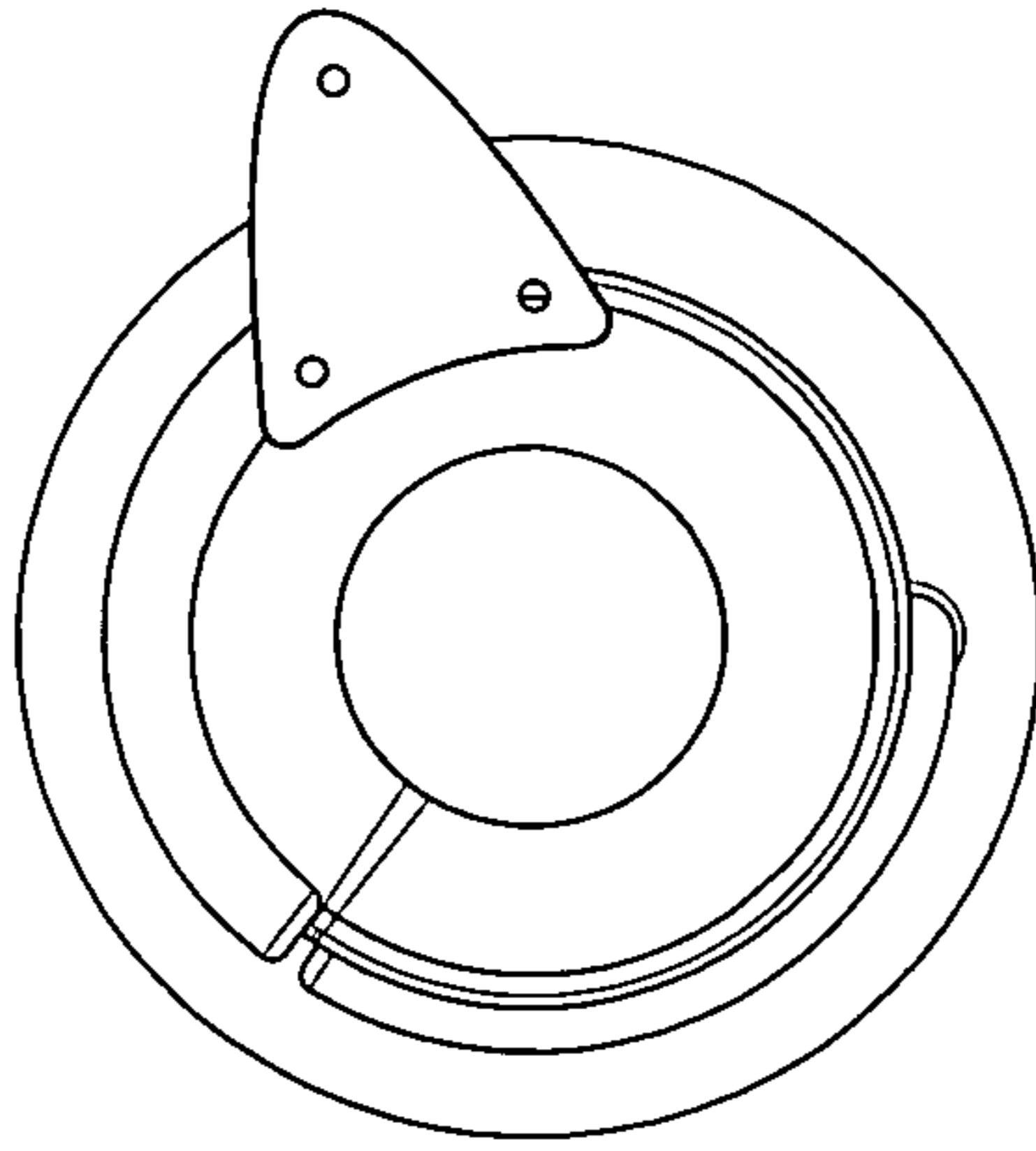


Fig. 6

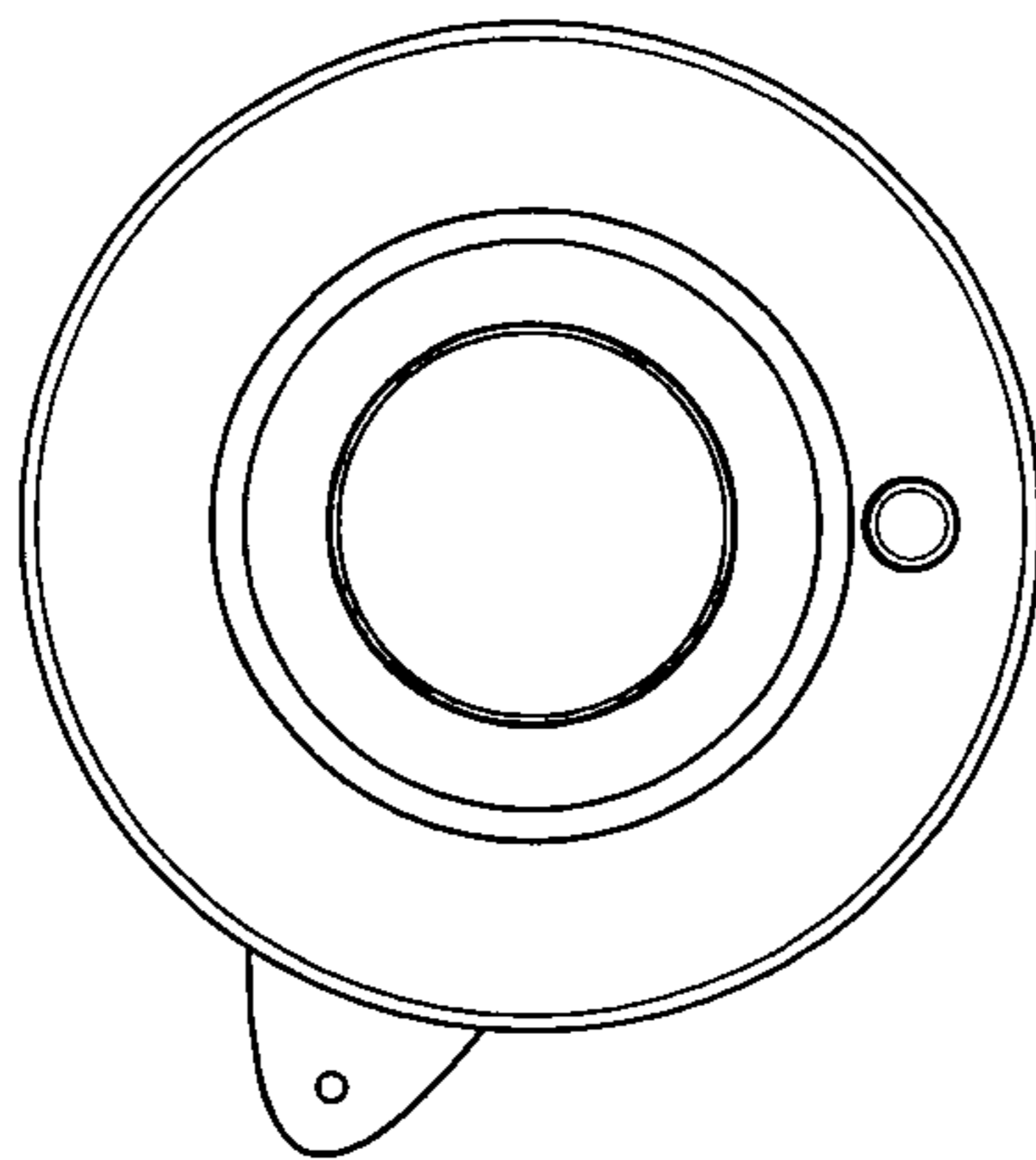


Fig. 7