



US00D682221S

(12) **United States Design Patent**
Tello

(10) **Patent No.:** **US D682,221 S**
(45) **Date of Patent:** **** May 14, 2013**

(54) **TELEPHONE CORD DETANGLER**

(75) Inventor: **Ricardo A. Tello**, Santa Fe Springs, CA
(US)

(73) Assignee: **Sun Coast Merchandise Corp.**,
Commerce, CA (US)

(**) Term: **14 Years**

(21) Appl. No.: **29/421,410**

(22) Filed: **Jul. 20, 2012**

Related U.S. Application Data

(63) Continuation of application No. 13/068,872, filed on
Jan. 13, 2009.

(51) **LOC (9) Cl.** **13-03**

(52) **U.S. Cl.**
USPC **D13/155**

(58) **Field of Classification Search** D13/155,
D13/133, 147, 154, 184, 199; D8/349, 356;
D11/184; D14/472; 439/152, 153, 176,
439/207

See application file for complete search history.

(56) **References Cited**

U.S. PATENT DOCUMENTS

4,878,848	A	*	11/1989	Ingalsbe	439/76.1
D338,654	S	*	8/1993	Ditzig	D13/147
D341,815	S	*	11/1993	Blood et al.	D13/133
D456,692	S	*	5/2002	Epstein	D8/356
D457,861	S	*	5/2002	Truong	D13/153
D519,085	S	*	4/2006	Gull et al.	D13/155
D591,678	S	*	5/2009	Whitley et al.	D13/133
D648,685	S	*	11/2011	Symons	D13/155
D667,751	S	*	9/2012	Dunn	D11/184

* cited by examiner

Primary Examiner — Derrick Holland

(74) *Attorney, Agent, or Firm* — Steven E. Shapiro

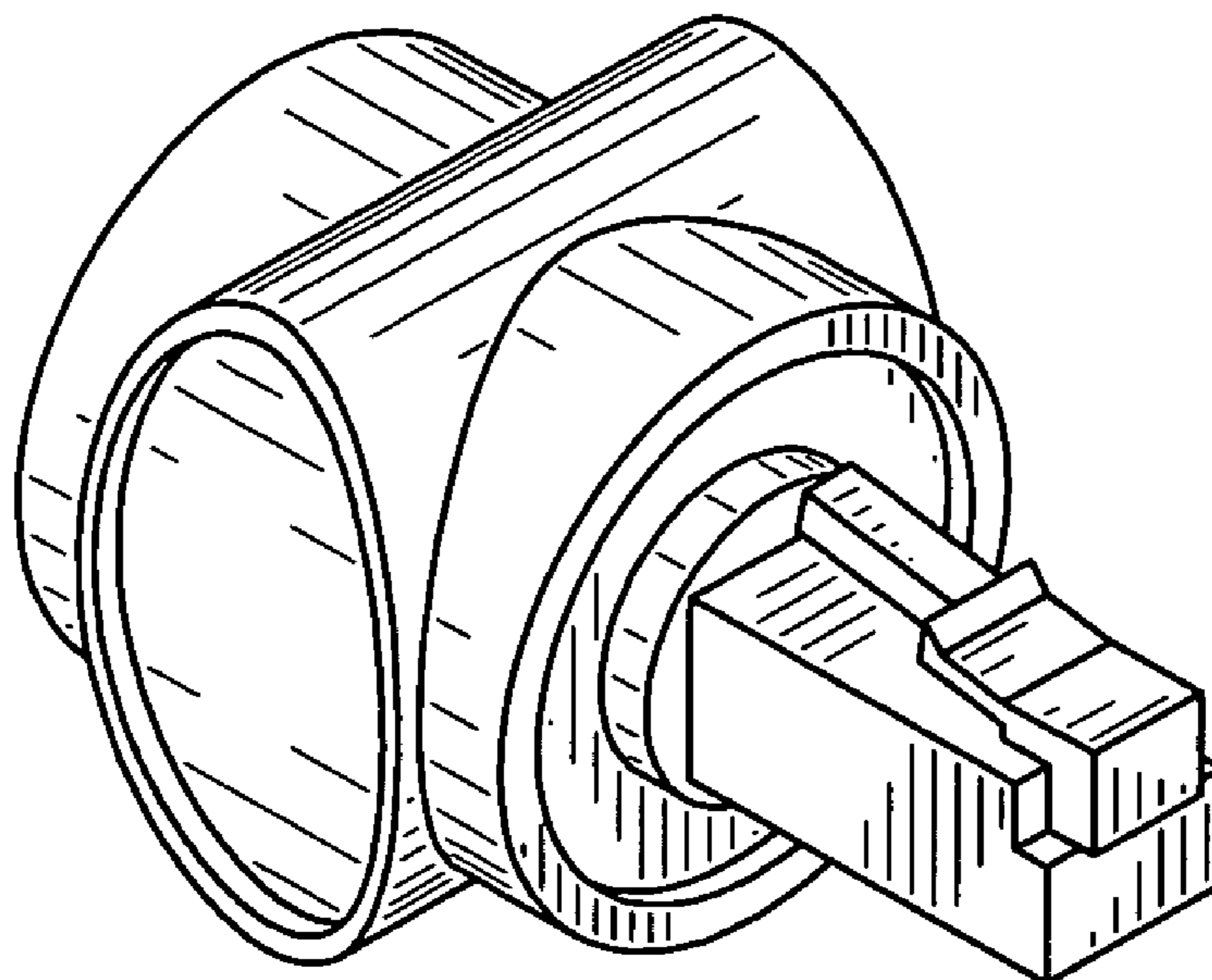
(57) **CLAIM**

The ornamental design for a telephone cord detangler, as shown and described.

DESCRIPTION

FIG. 1 is a front perspective view of a telephone cord detangler;
FIG. 2 is a rear perspective view of the telephone cord detangler;
FIG. 3 is a front view of the telephone cord detangler;
FIG. 4 is a rear view of the telephone cord detangler;
FIG. 5 is a top view of the telephone cord detangler;
FIG. 6 is a bottom view of the telephone cord detangler;
FIG. 7 is a left side view of the telephone cord detangler; and,
FIG. 8 is a right side view of the telephone cord detangler.

1 Claim, 4 Drawing Sheets



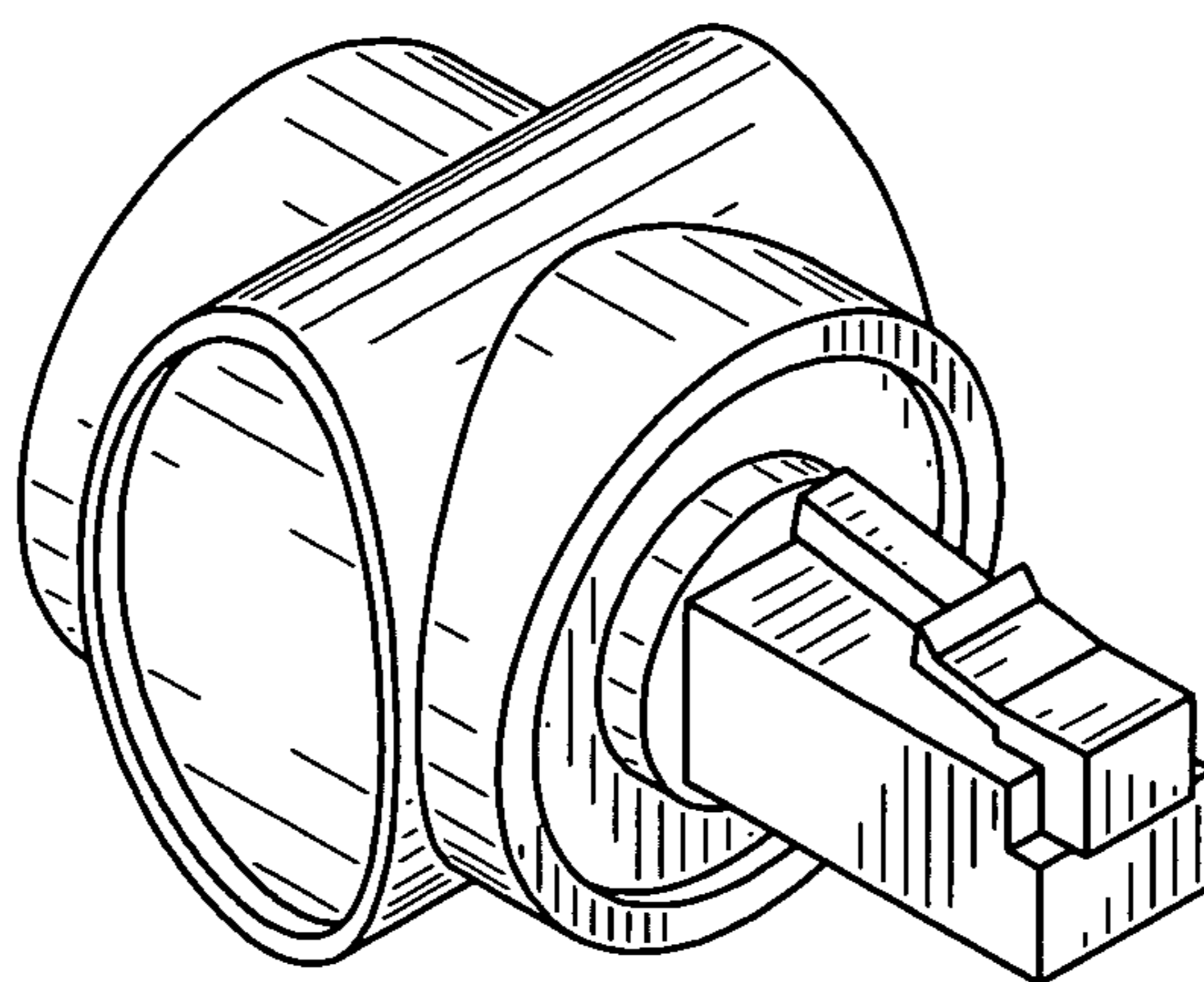


FIG. 1

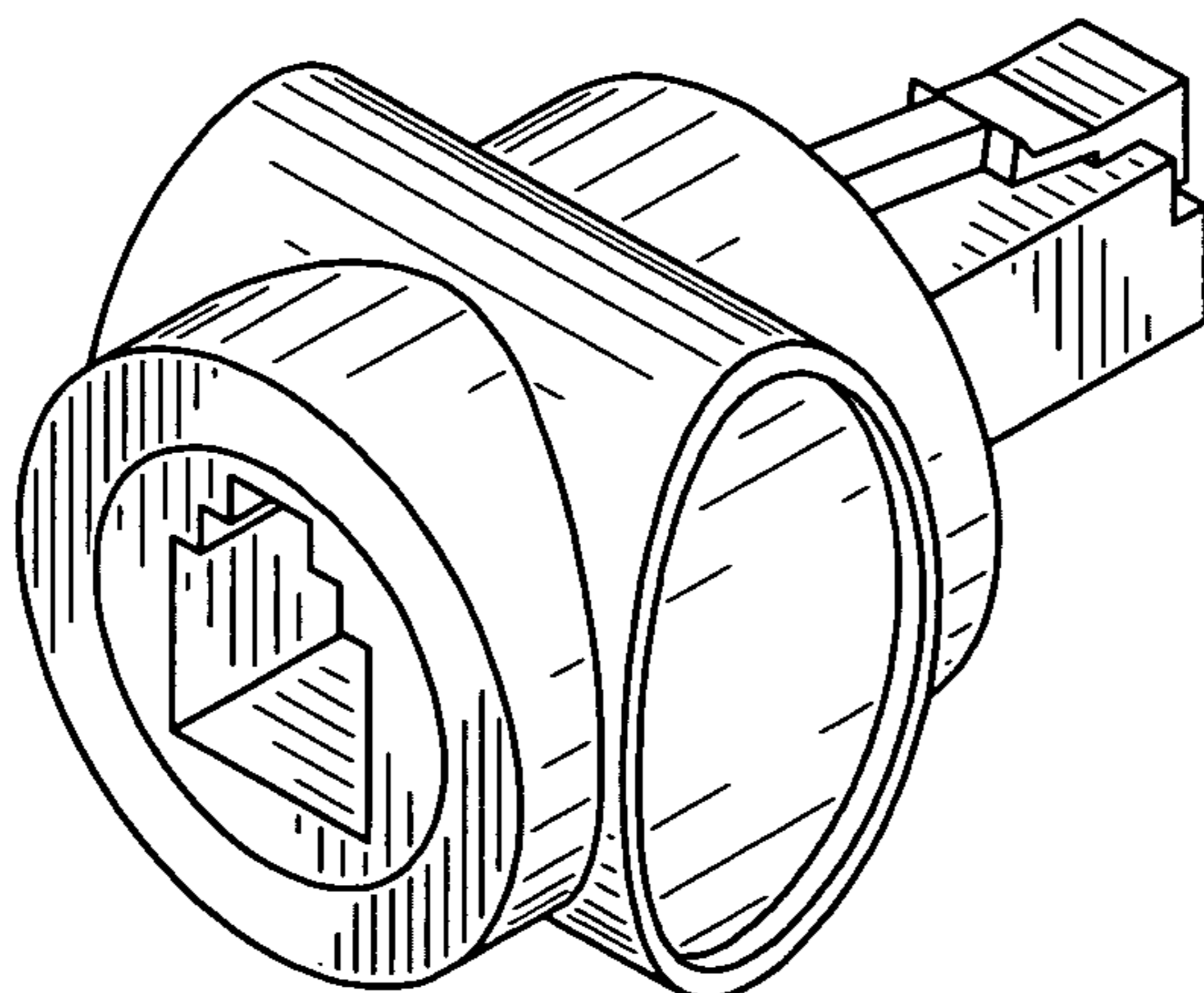


FIG. 2

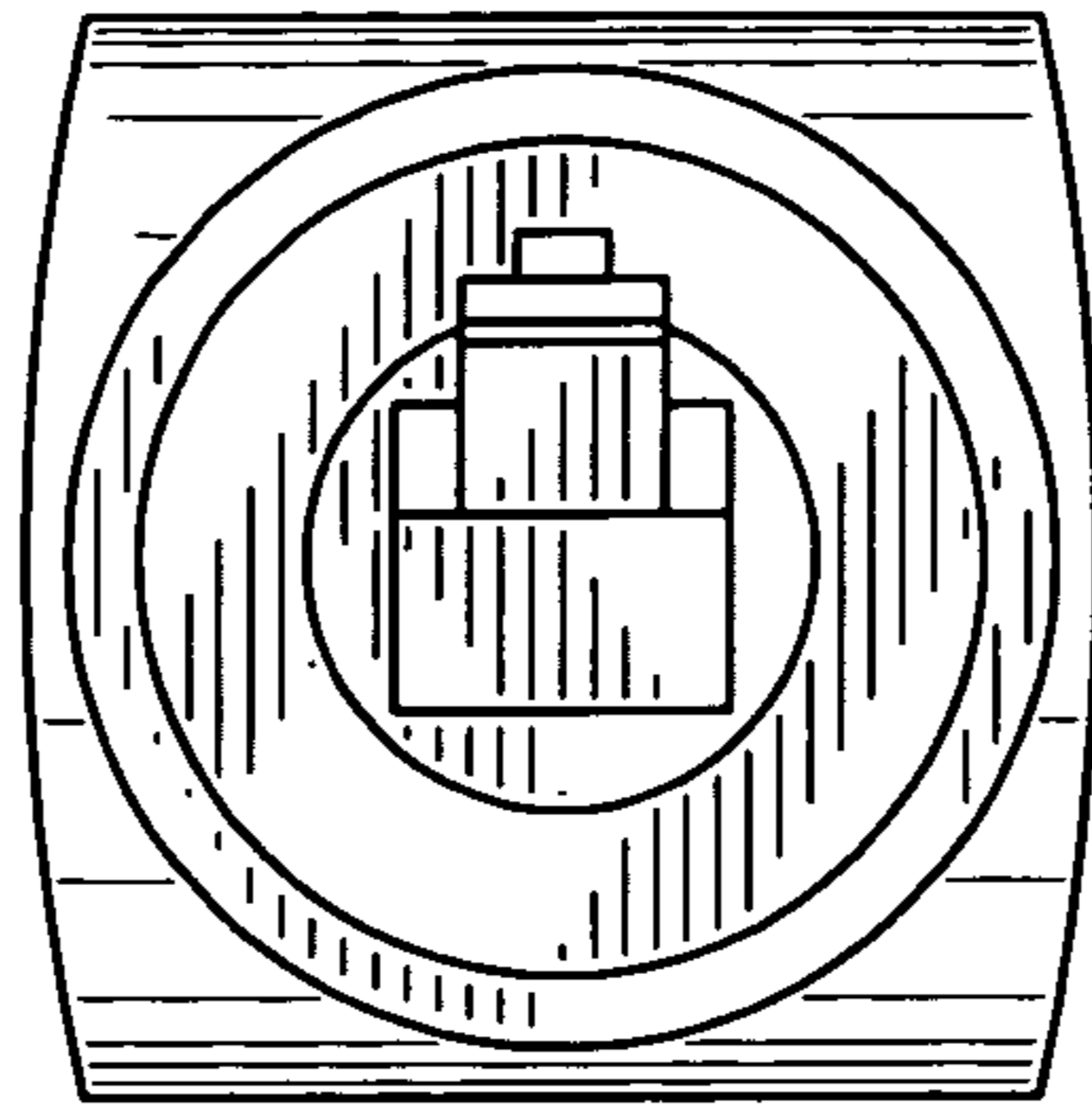


FIG. 3

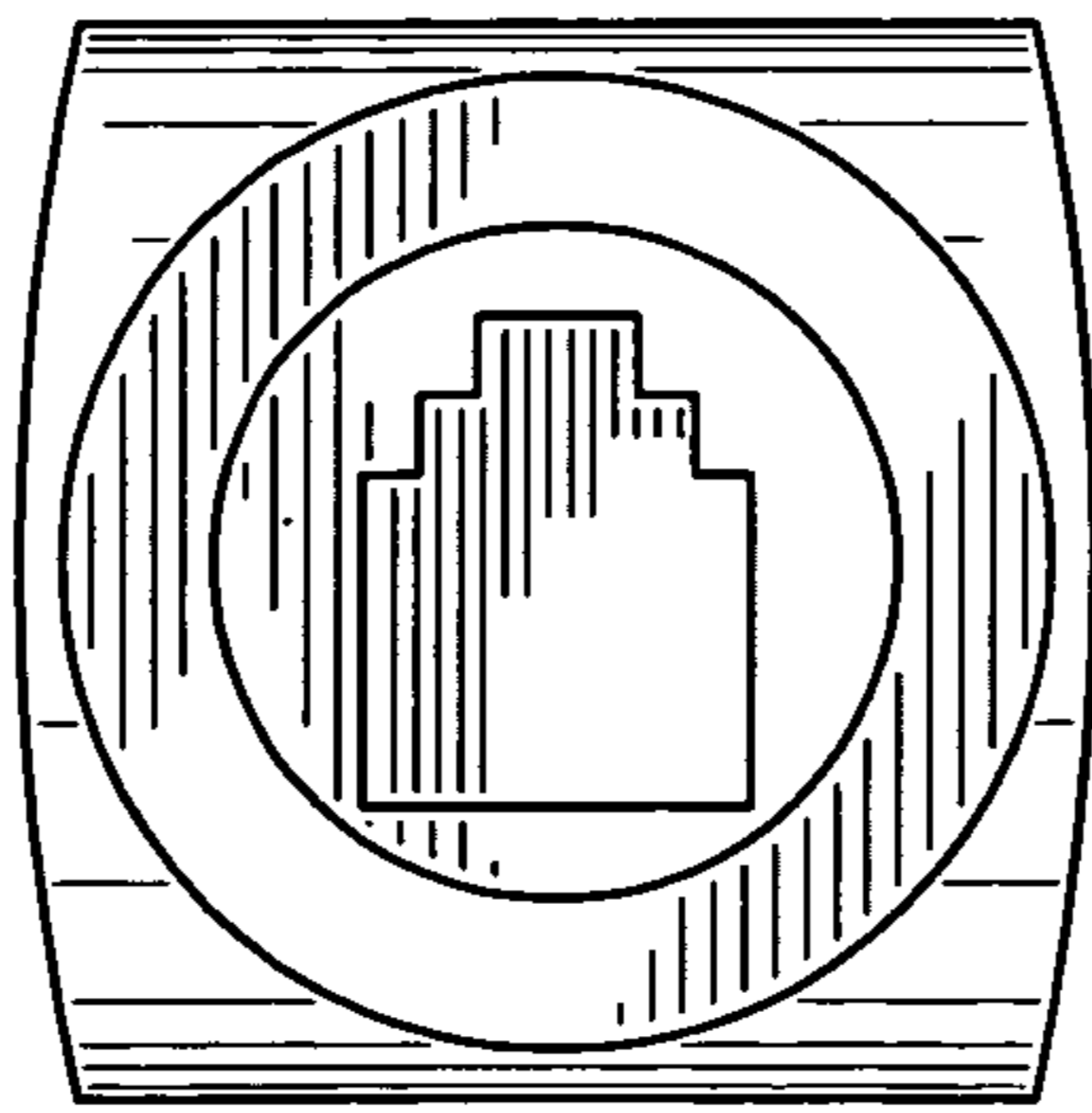


FIG. 4

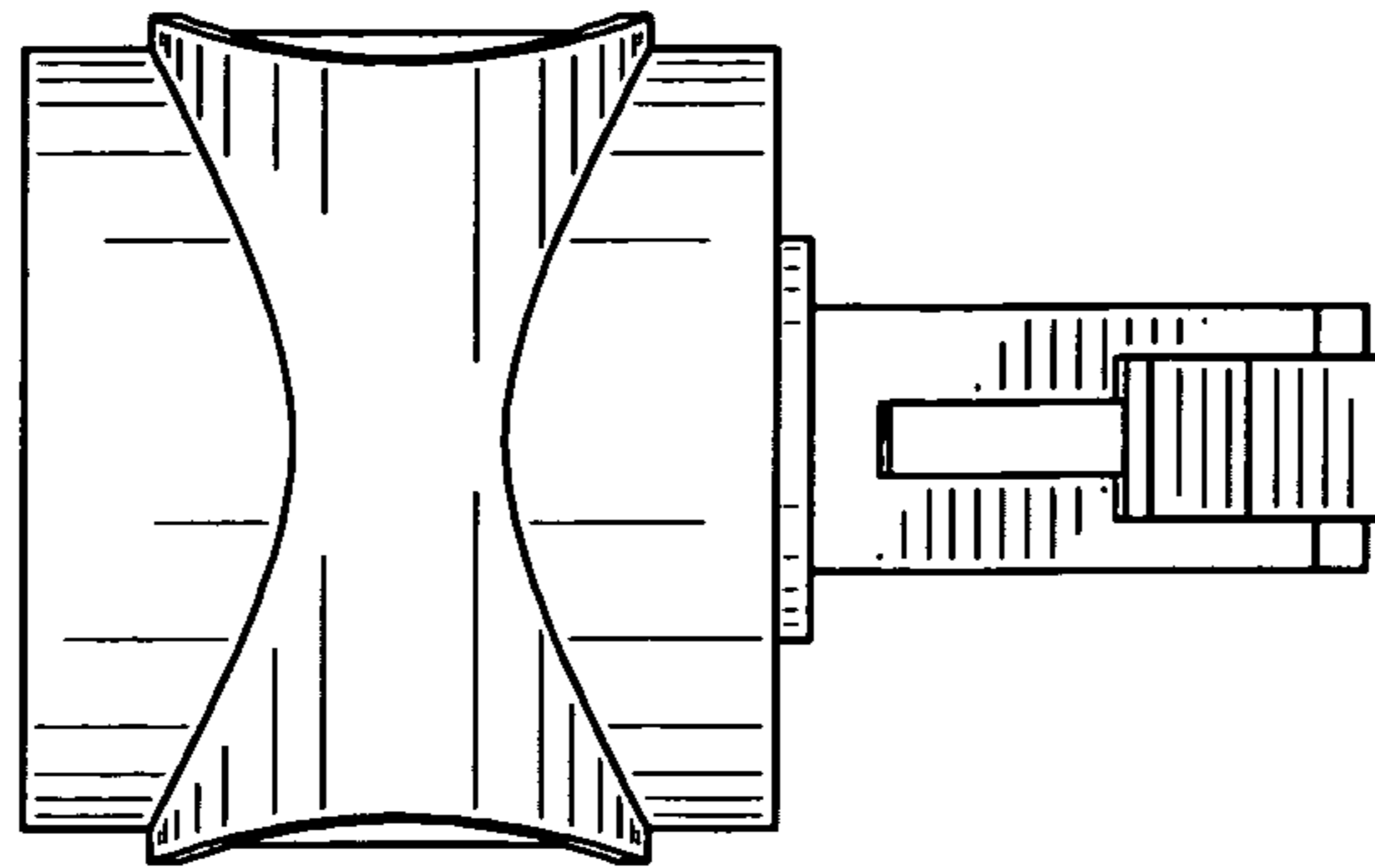


FIG. 5

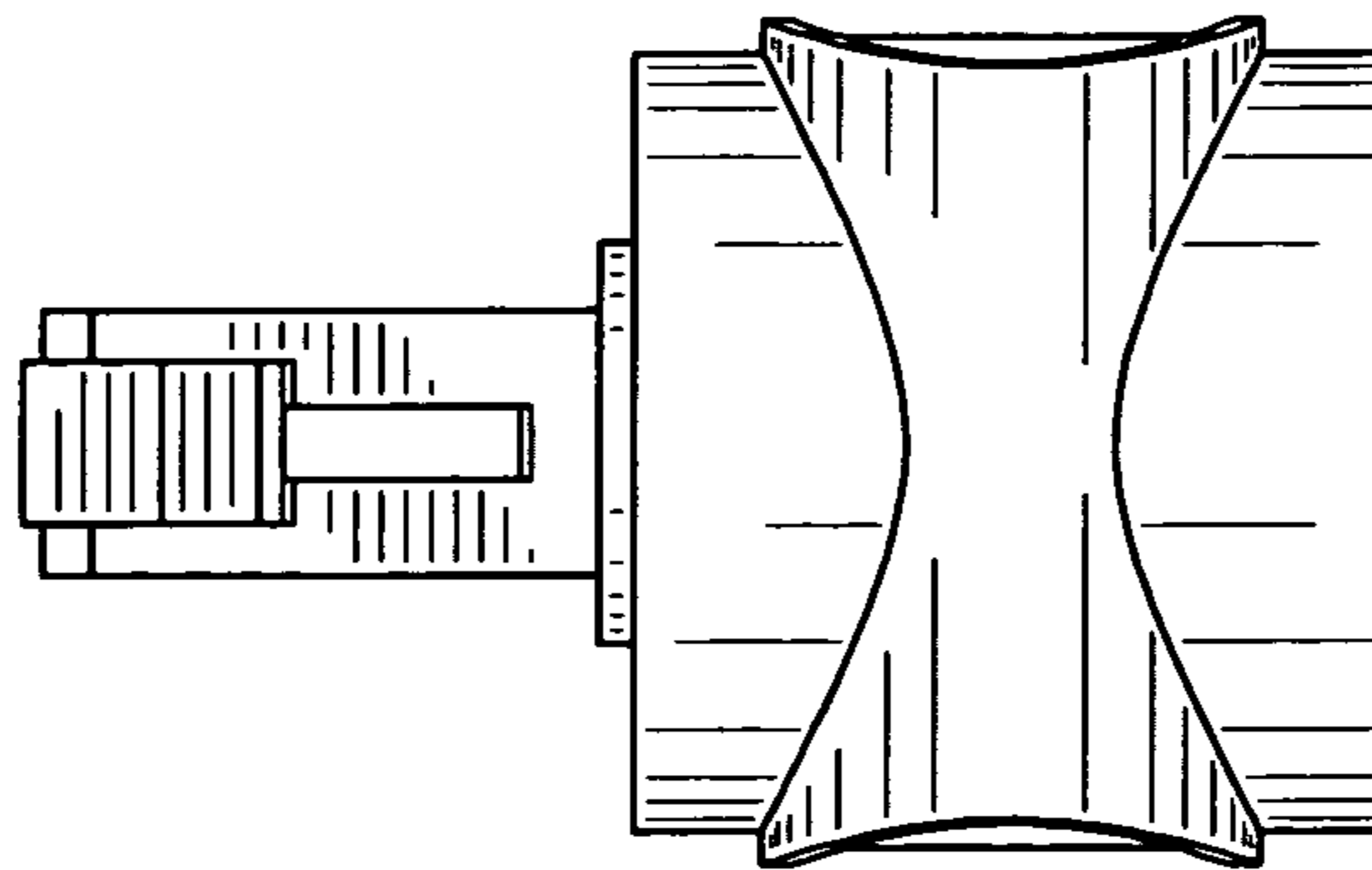


FIG. 6

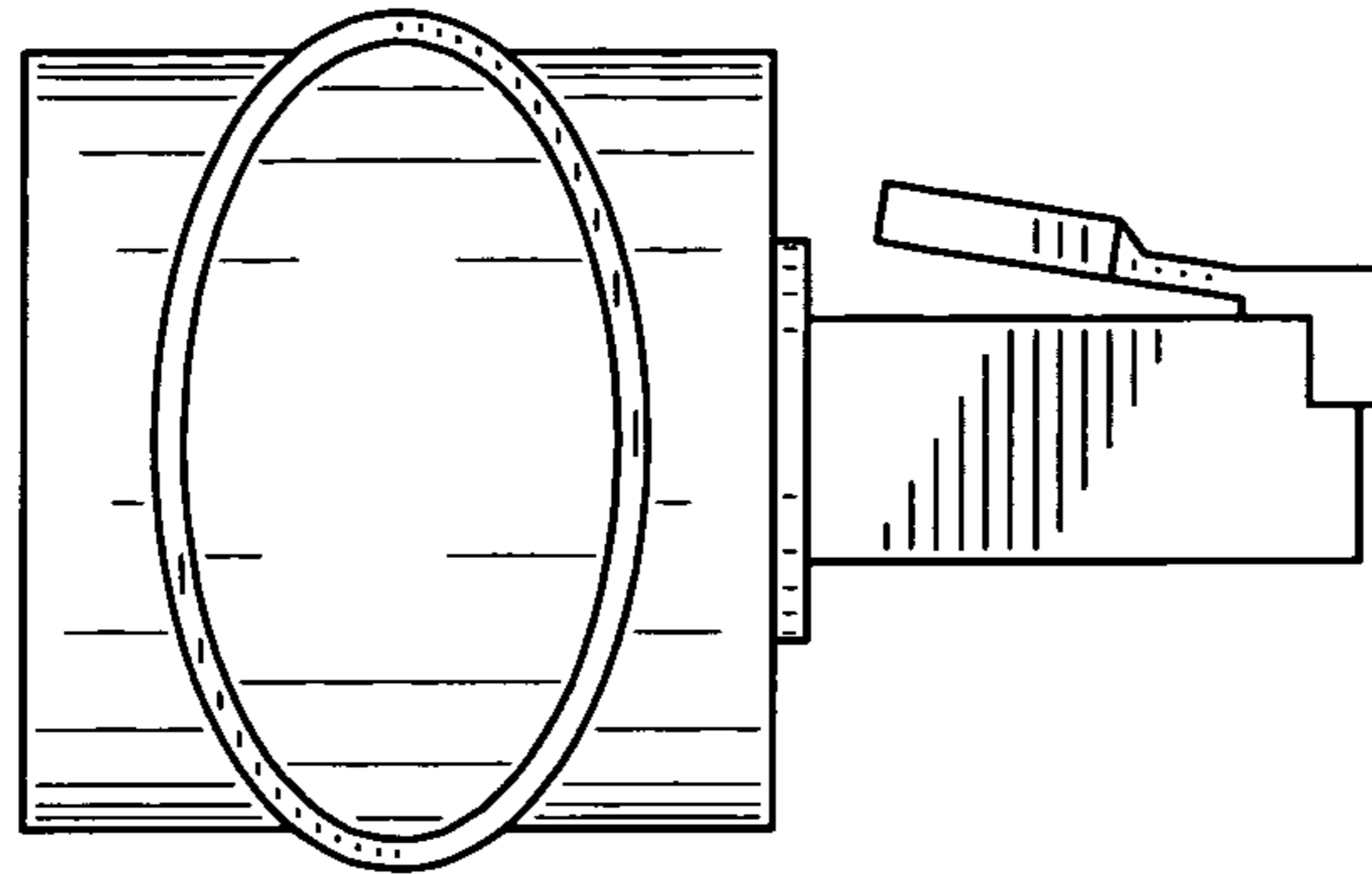


FIG. 7

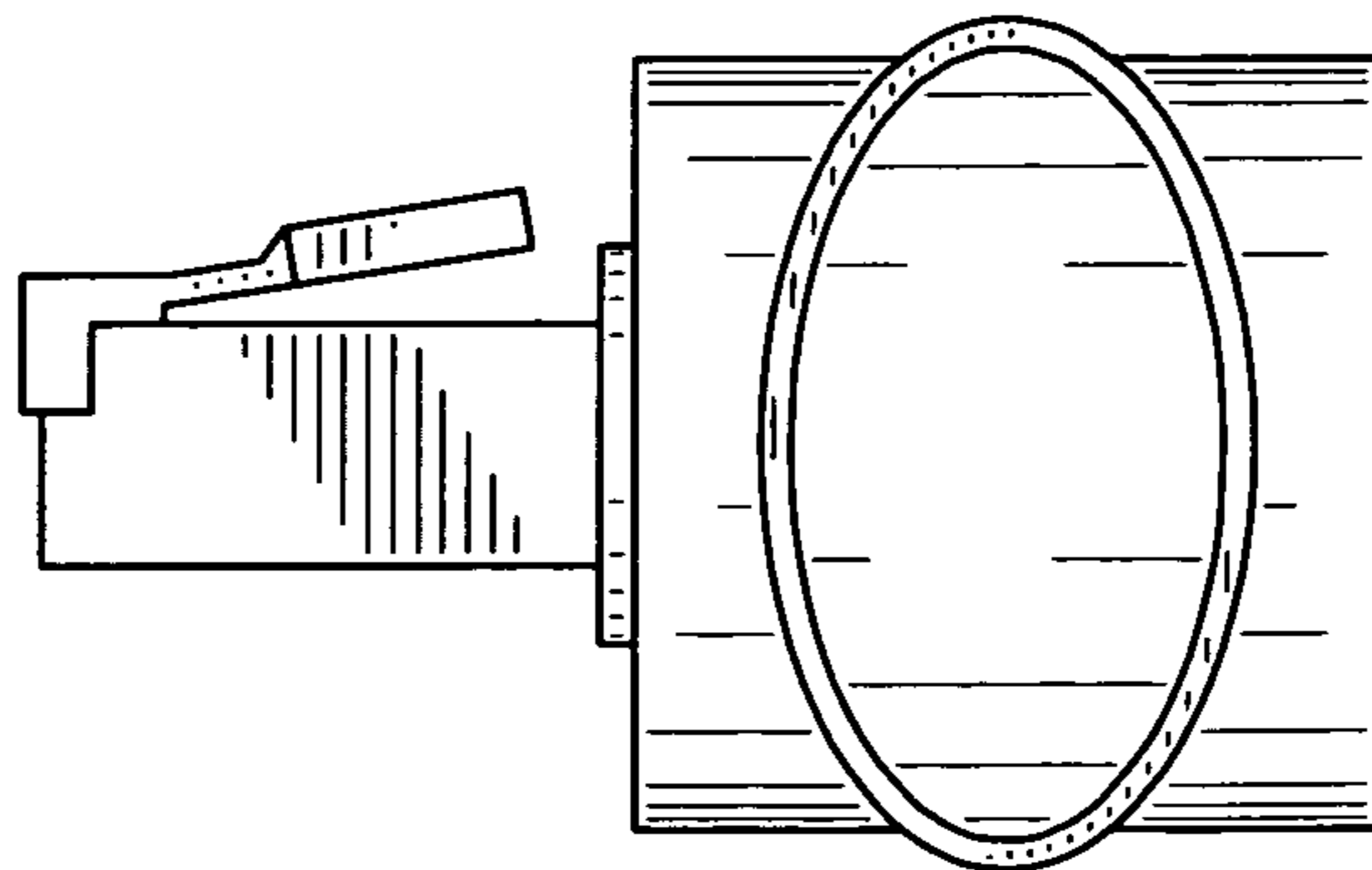


FIG. 8