



US00D682219S

(12) **United States Design Patent**
Lee et al.

(10) **Patent No.:** **US D682,219 S**
(45) **Date of Patent:** **** May 14, 2013**

(54) **OUTLET SOCKET**

(75) Inventors: **Chiu-San Lee**, New Taipei (TW);
Su-Chen Shen, New Taipei (TW)

(73) Assignee: **XYZ Science Co., Ltd.**, New Taipei
(TW)

(**) Term: **14 Years**

(21) Appl. No.: **29/425,989**

(22) Filed: **Jun. 29, 2012**

(51) **LOC (9) Cl.** **13-03**

(52) **U.S. Cl.**
USPC **D13/152**

(58) **Field of Classification Search** D13/133,
D13/137.2, 138.1, 139.1, 139.3, 139.4, 152,
D13/154, 155, 156, 158, 160, 173, 184, 199;
174/50, 53-55, 58, 60, 64, 66, 67, 480-81;
220/3.2, 3.3, 3.7-3.9, 241-42, 315; 439/135-6,
439/367, 373, 535-37, 541, 892-93; 248/906
See application file for complete search history.

(56) **References Cited**

U.S. PATENT DOCUMENTS

7,527,508	B1 *	5/2009	Lee et al.	439/137
7,857,640	B1 *	12/2010	Lee et al.	439/137
D657,314	S *	4/2012	Ruffner	D13/139.1
D662,885	S *	7/2012	Hoffman et al.	D13/139.1
D666,973	S *	9/2012	Junko et al.	D13/139.3
D669,433	S *	10/2012	Lee	D13/110

OTHER PUBLICATIONS

<http://www.sourcingmap.com/250v-10a-universal-panel-power-socket-outlet-black-p-240.../RMS> searched Oct. 24, 2012.*
http://www.diytrade.com/china/pd/3858891/WFN_series_Advanced_Universal_socket_o.../RMS searched Oct. 24, 2012.*
<http://www.sourcingmap.com/retracted-plug-universal-socket-travel-adapter-white-p-274.../RMS> searched Oct. 24, 2012.*
<http://www.aliexpress.com/store/product/AC-power-universal-socket-computer-chassis-e.../RMS> searched Oct. 24, 2012.*

* cited by examiner

Primary Examiner — Robert M Spear

Assistant Examiner — Rhea Shields

(74) *Attorney, Agent, or Firm* — Leong C. Lei

(57) **CLAIM**

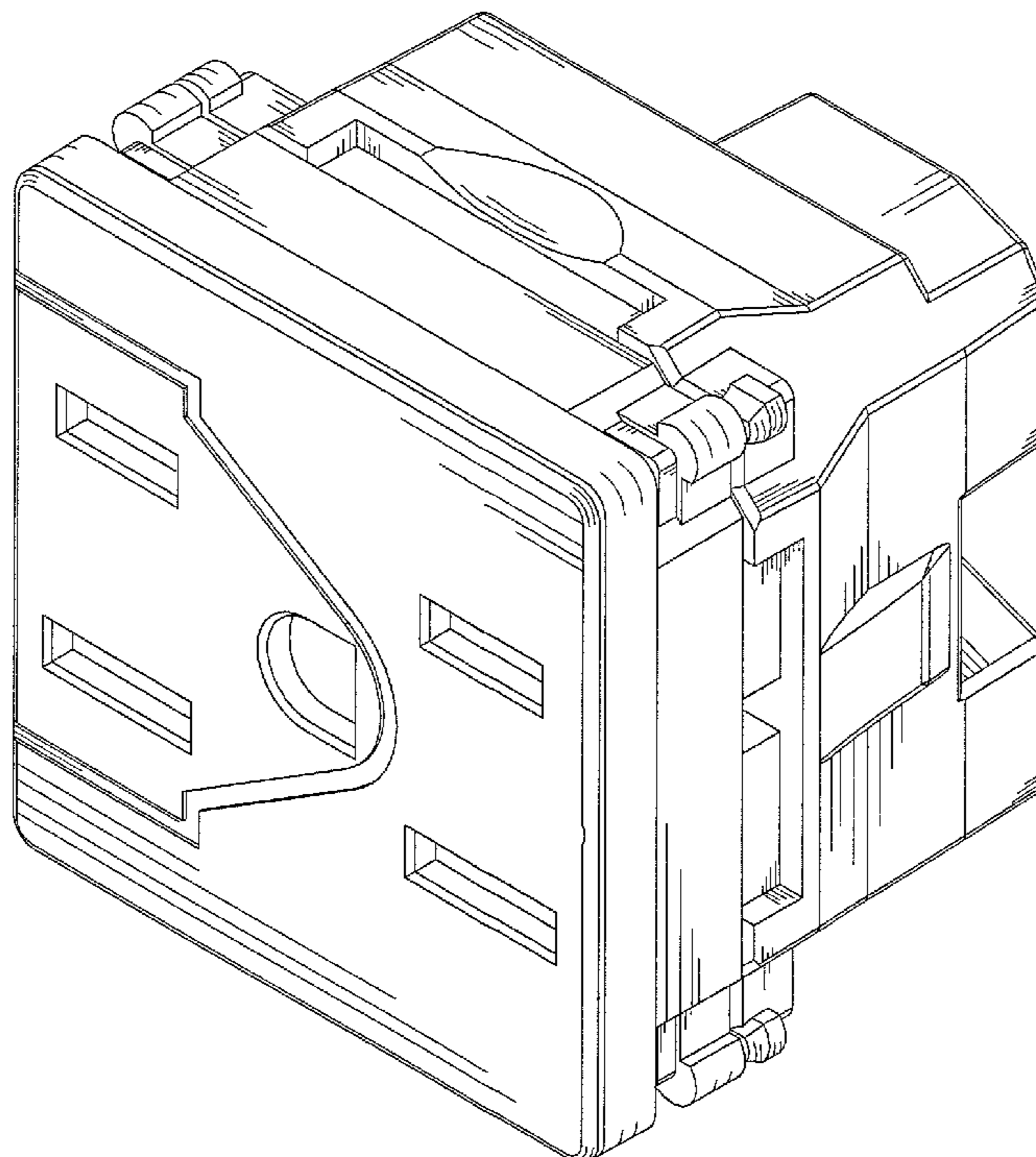
The ornamental design for an outlet socket, as shown and described.

DESCRIPTION

FIG. 1 is a front perspective view of an outlet socket showing my new design;
FIG. 2 is a front elevational view thereof;
FIG. 3 is a rear elevational view thereof;
FIG. 4 is a left elevational view thereof;
FIG. 5 is a right elevational view thereof;
FIG. 6 is a top plan view thereof; and
FIG. 7 is a bottom plan view thereof; and
FIG. 8 is another perspective view thereof, showing the status while in use.

The dotted lines illustrate portions of the outlet socket that form no part of the claimed design.

1 Claim, 8 Drawing Sheets



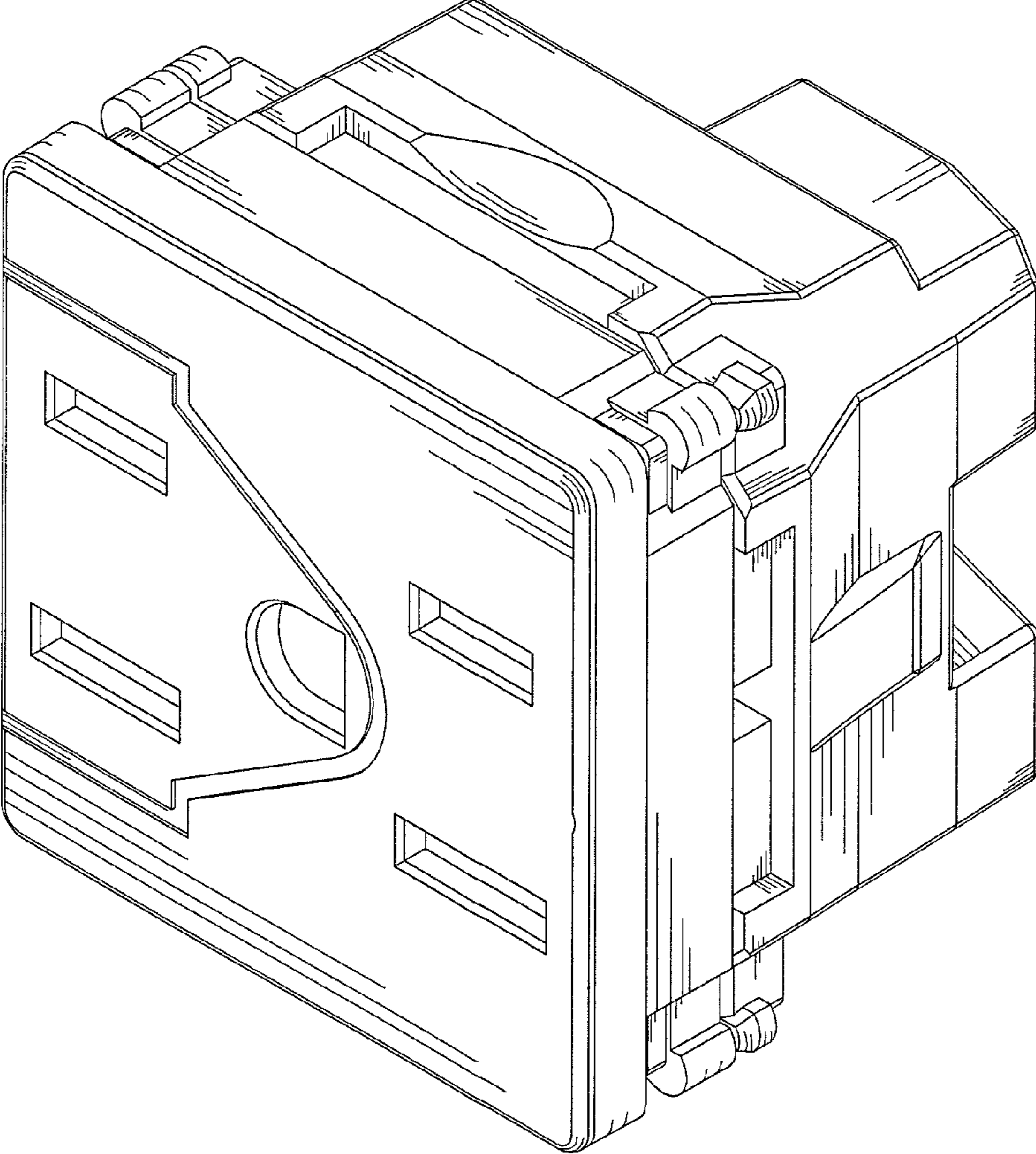


FIG.1

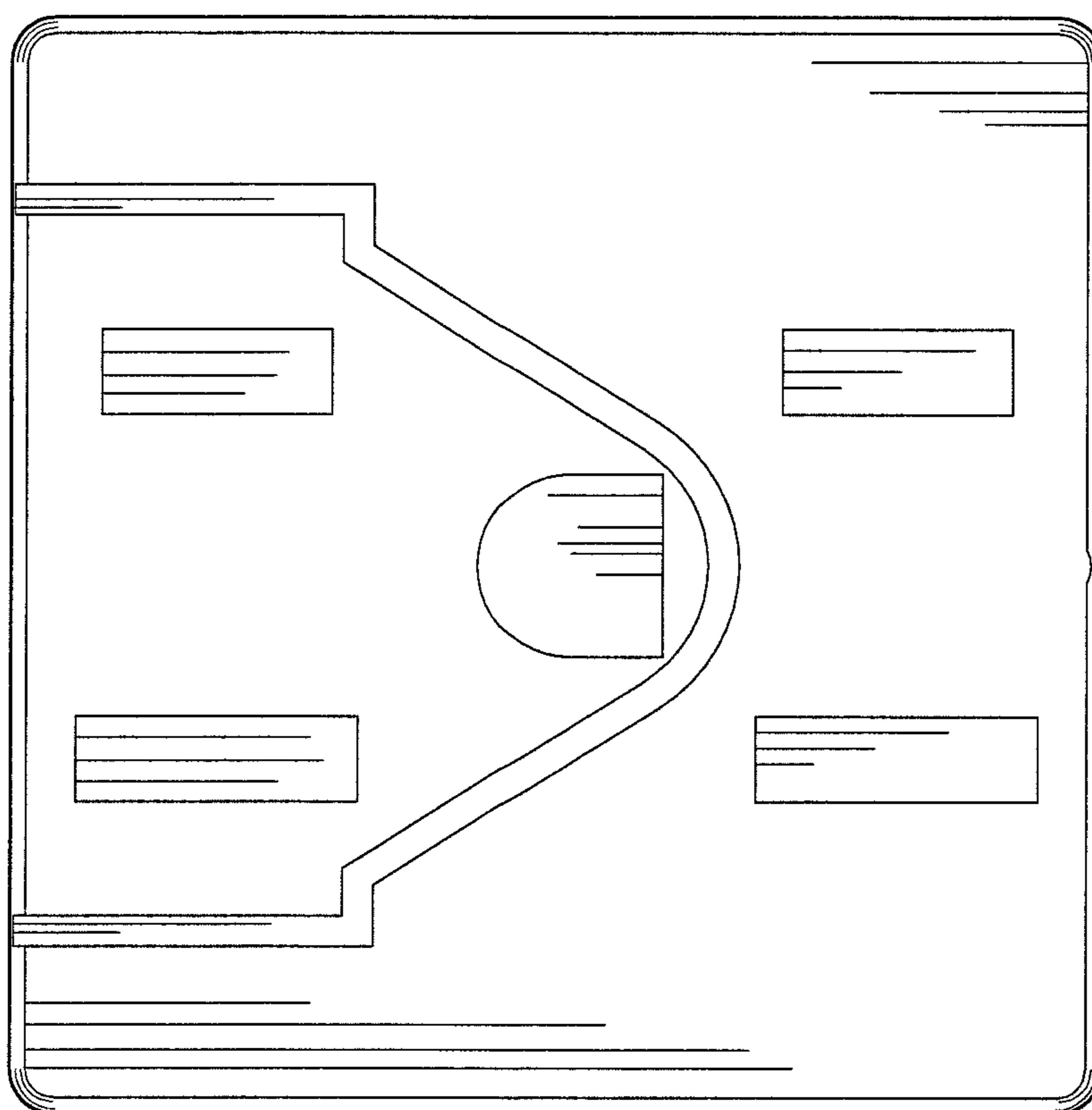


FIG. 2

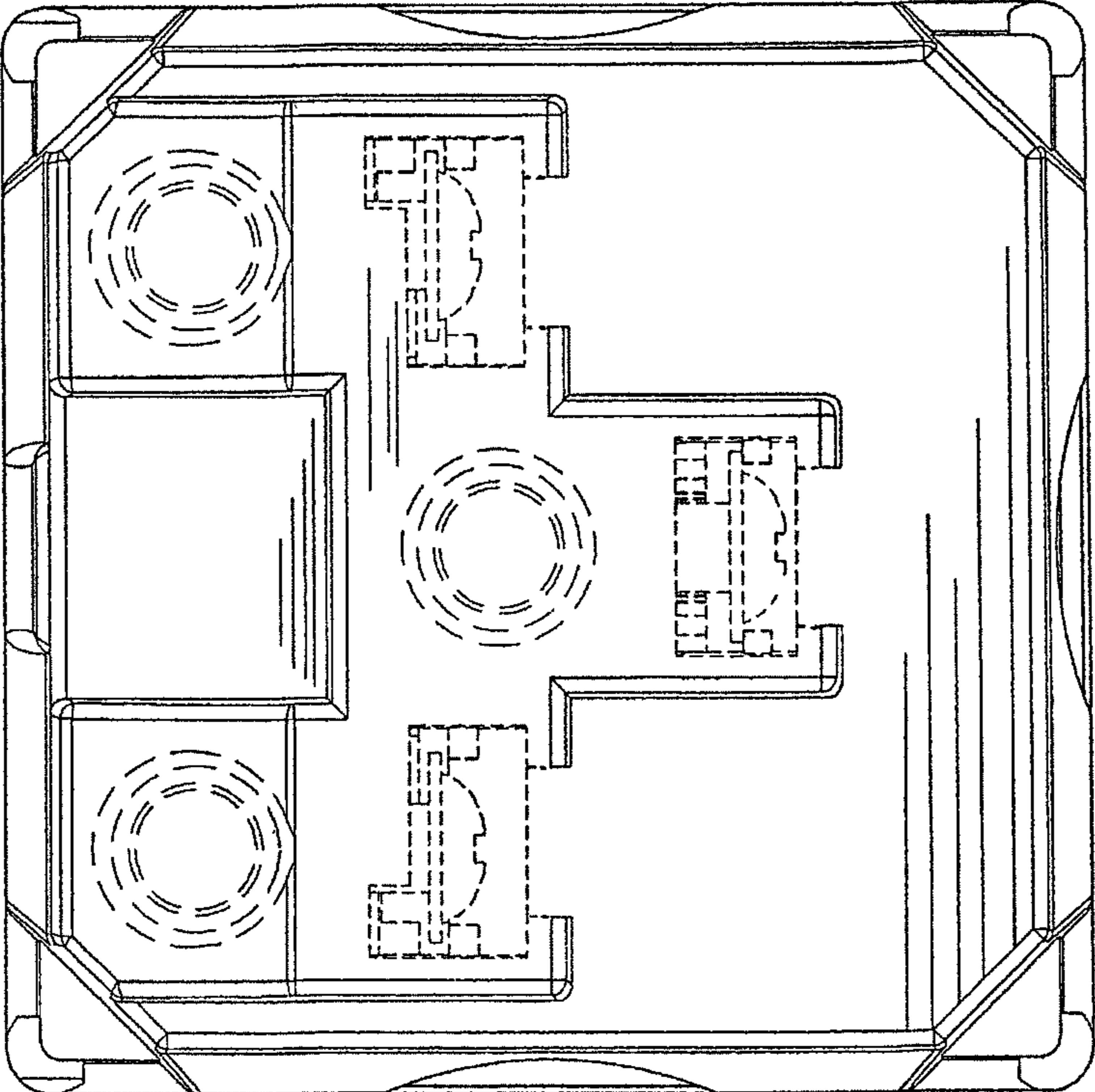


FIG.3

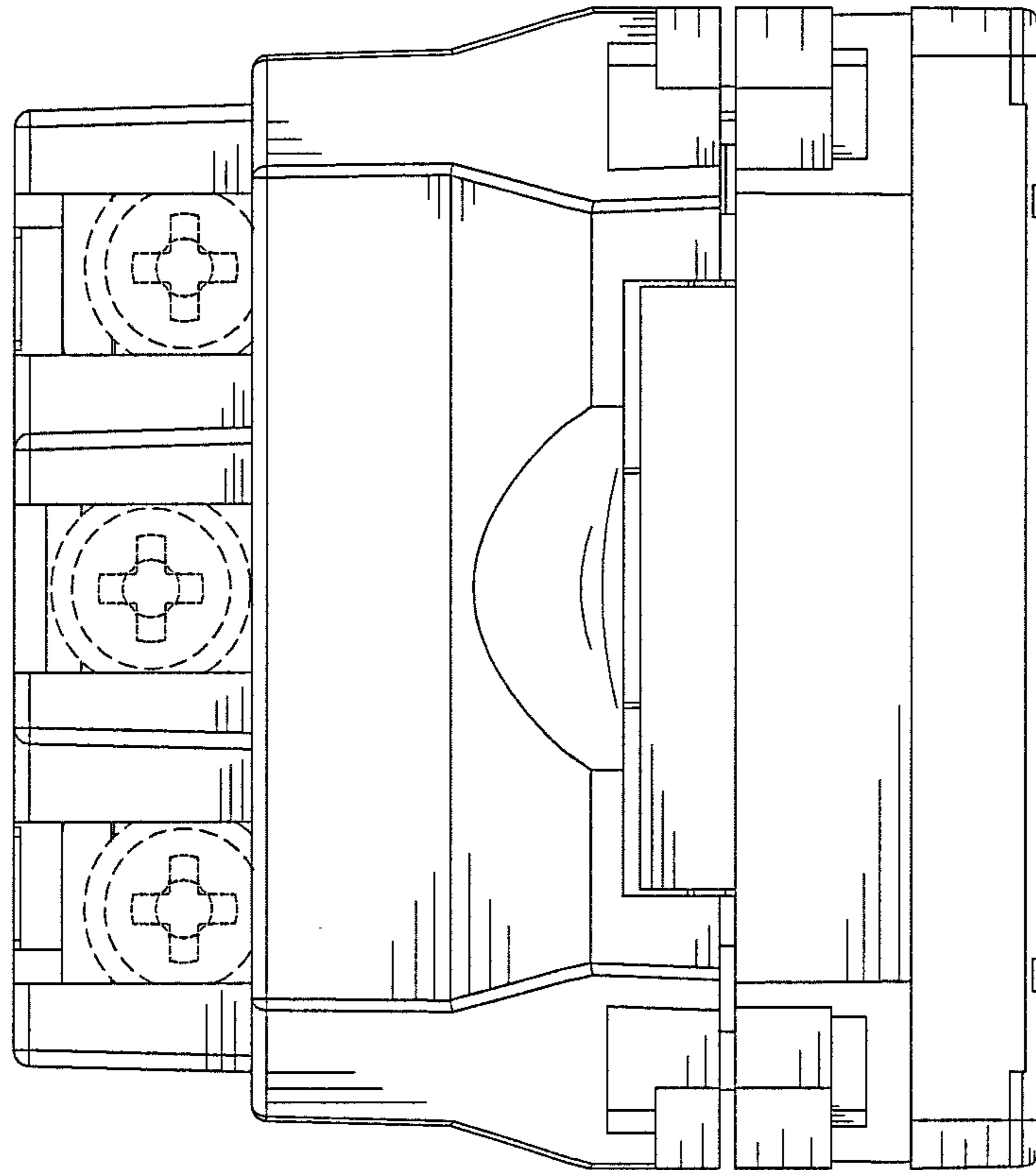


FIG.4

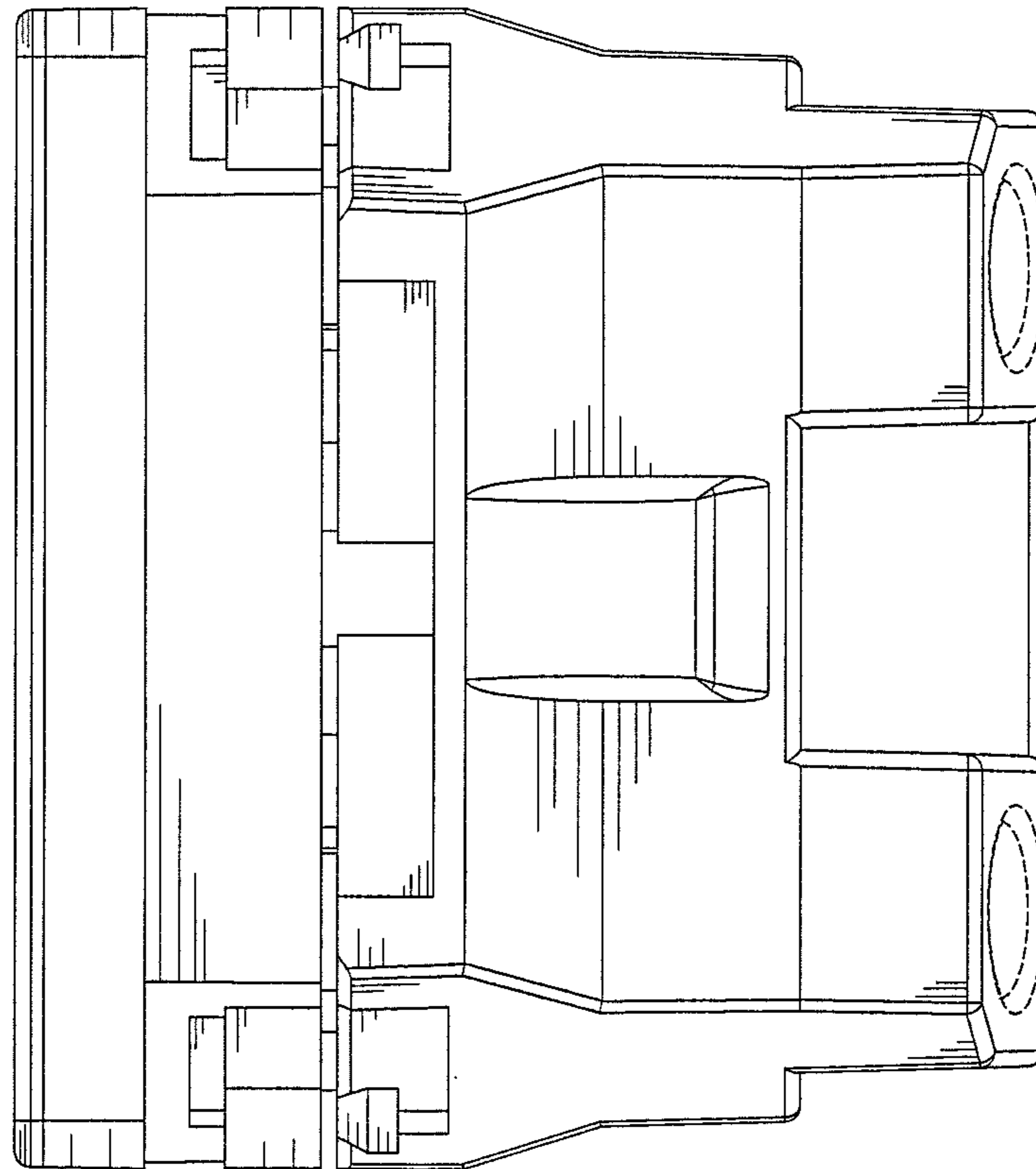


FIG.5

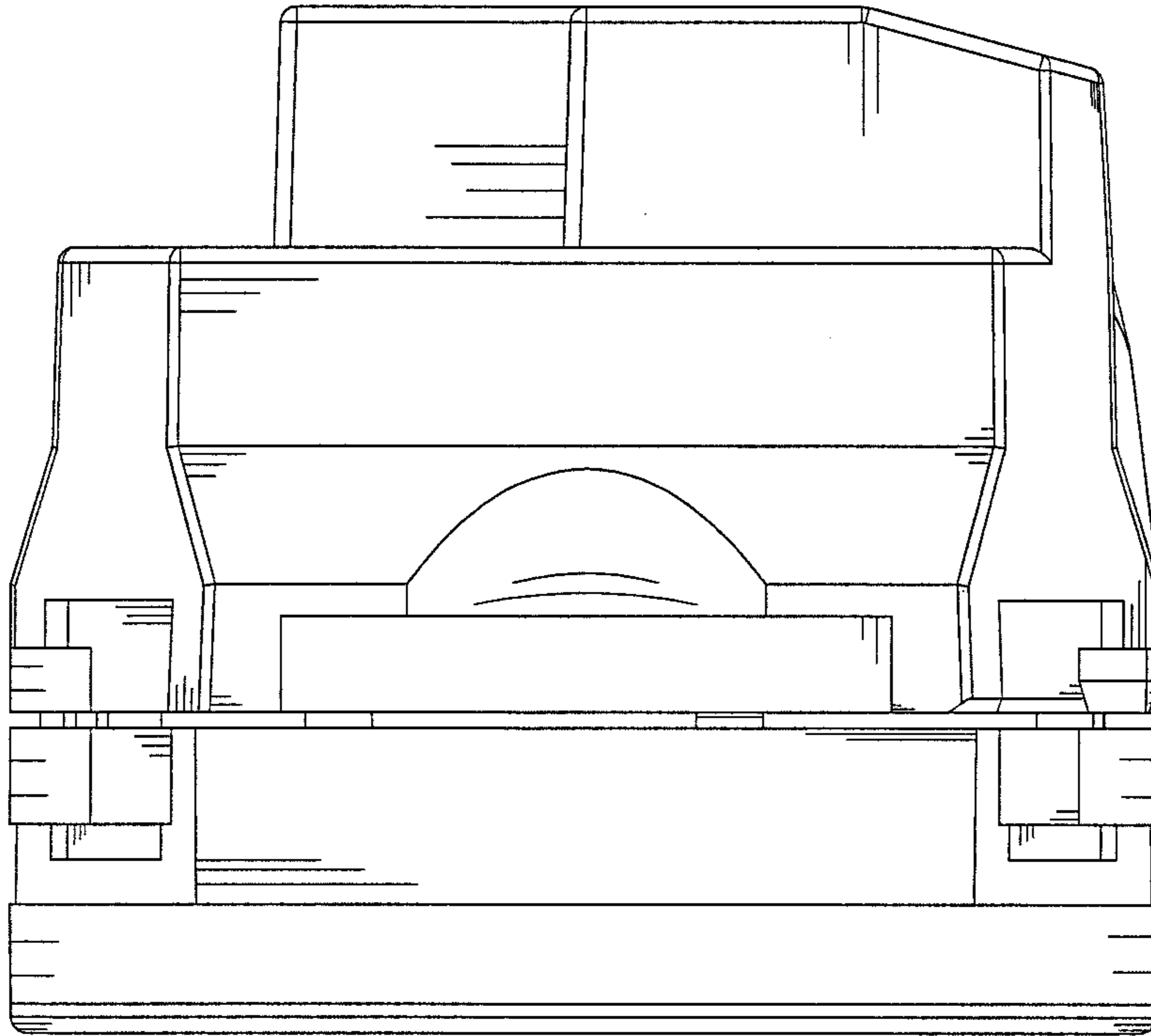


FIG.6

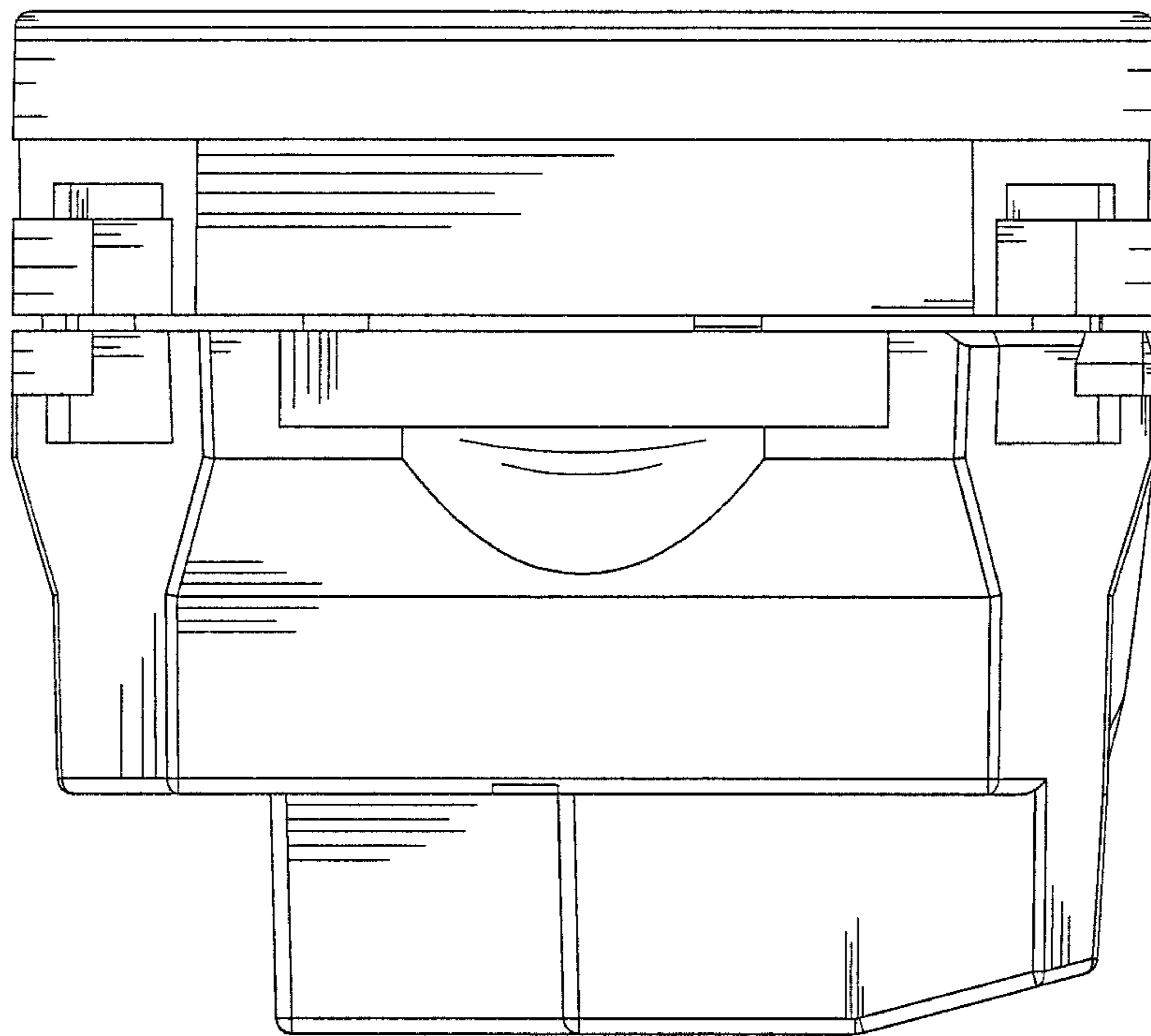


FIG. 7

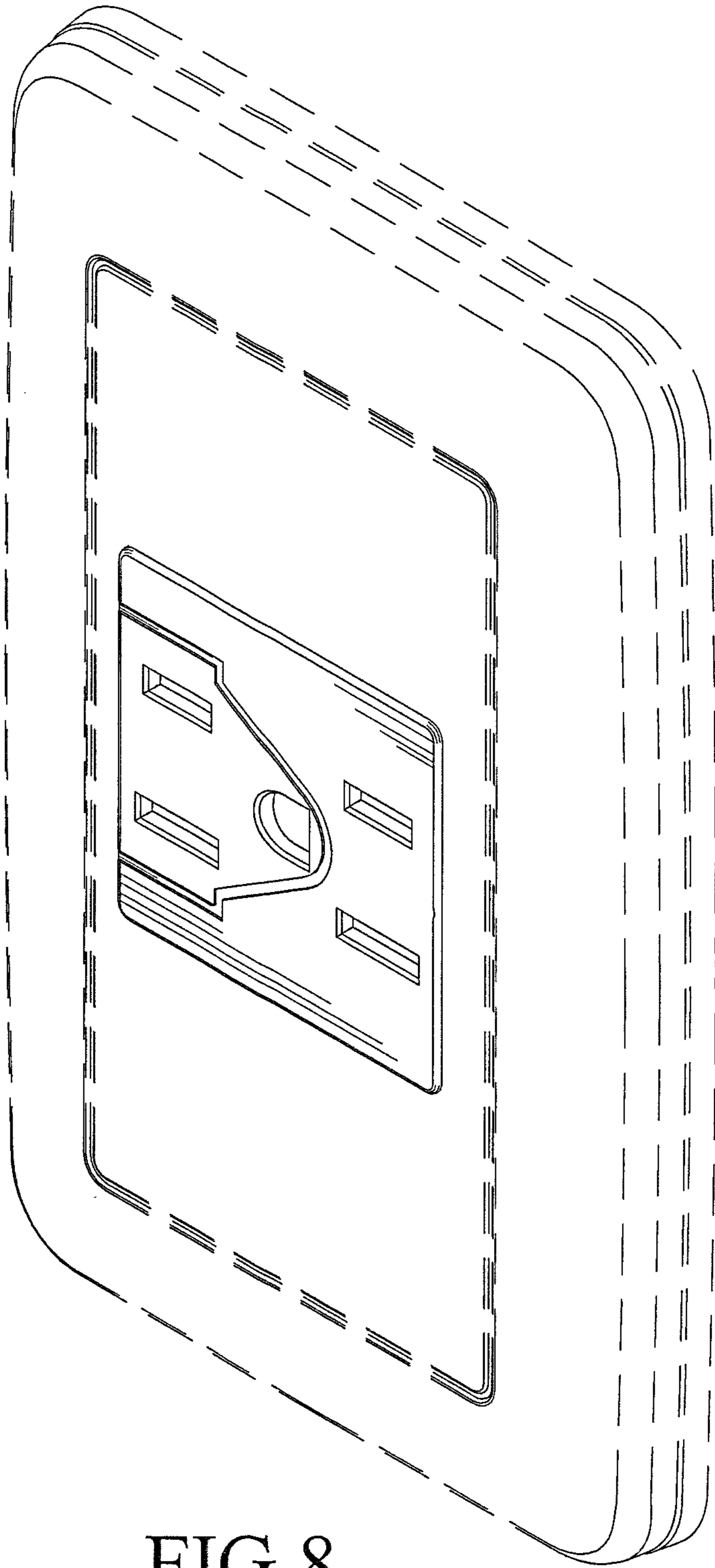


FIG. 8