



US00D682218S

(12) **United States Design Patent**
Takata et al.

(10) **Patent No.:** **US D682,218 S**

(45) **Date of Patent:** **** May 14, 2013**

(54) **PORTABLE POWER DISTRIBUTION BOX**

(75) Inventors: **Steven Matthew Takata**, Minneapolis, MN (US); **James Jerome Koberg**, Morristown, MN (US); **Brian Allen Amacher**, Faribault, MN (US); **Jason Robert DeMars**, Faribault, MN (US); **Christopher Alan Dahl**, Prior Lake, MN (US)

(73) Assignee: **Trystar, Inc.**, Faribault, MN (US)

(**) Term: **14 Years**

(21) Appl. No.: **29/408,303**

(22) Filed: **Dec. 9, 2011**

(51) **LOC (9) Cl.** **13-03**

(52) **U.S. Cl.**
USPC **D13/152**

(58) **Field of Classification Search** D13/107,
D13/109, 110, 112, 114, 130, 132, 137, 137.1,
D13/137.2, 137.3, 137.4, 138.1, 139.4, 139.5,
D13/139.7, 139.8, 146, 147, 152, 160, 161,
D13/164, 169, 199

See application file for complete search history.

(56) **References Cited**

U.S. PATENT DOCUMENTS

936,451	A	10/1909	Havenhill	
2,956,705	A	10/1960	Clingman	
3,380,768	A	4/1968	Wolfensberger	
3,751,127	A	8/1973	Black	
3,901,571	A *	8/1975	Begitschke et al.	312/265.4
4,115,655	A	9/1978	Prentice	
4,123,129	A	10/1978	Butler	

4,126,364	A	11/1978	Reilly	
4,322,572	A	3/1982	Snyder	
4,637,324	A	1/1987	Janson	
4,768,845	A	9/1988	Yeh	
4,846,078	A	7/1989	Janson	
4,884,715	A	12/1989	Pohlmann	
5,070,429	A *	12/1991	Skirpan	361/644
D323,809	S *	2/1992	Ross, Jr.	D13/103
D340,040	S *	10/1993	Gifford et al.	D14/365
5,470,139	A	11/1995	Hsiao	
D498,211	S *	11/2004	Thibault	D13/155
D503,377	S *	3/2005	Krieger et al.	D13/107
D542,284	S *	5/2007	Kim	D14/240
7,848,085	B2 *	12/2010	Gerber	361/625
2011/0163648	A1	7/2011	Jimenez	

* cited by examiner

Primary Examiner — Robert M Spear

Assistant Examiner — Rhea Shields

(74) *Attorney, Agent, or Firm* — Fredrikson & Byron, P.A.

(57) **CLAIM**

We claim the ornamental design for the portable power distribution box, as shown and described.

DESCRIPTION

FIG. 1 is a perspective view of the portable power distribution box of our new design;
FIG. 2 is a front view thereof;
FIG. 3 is a rear view thereof;
FIG. 4 is a top view thereof, with the bottom view being identical; and,
FIG. 5 is a right side view thereof, with the left side view being identical.

The broken lines in the drawings represent unclaimed environmental subject matter.

1 Claim, 5 Drawing Sheets

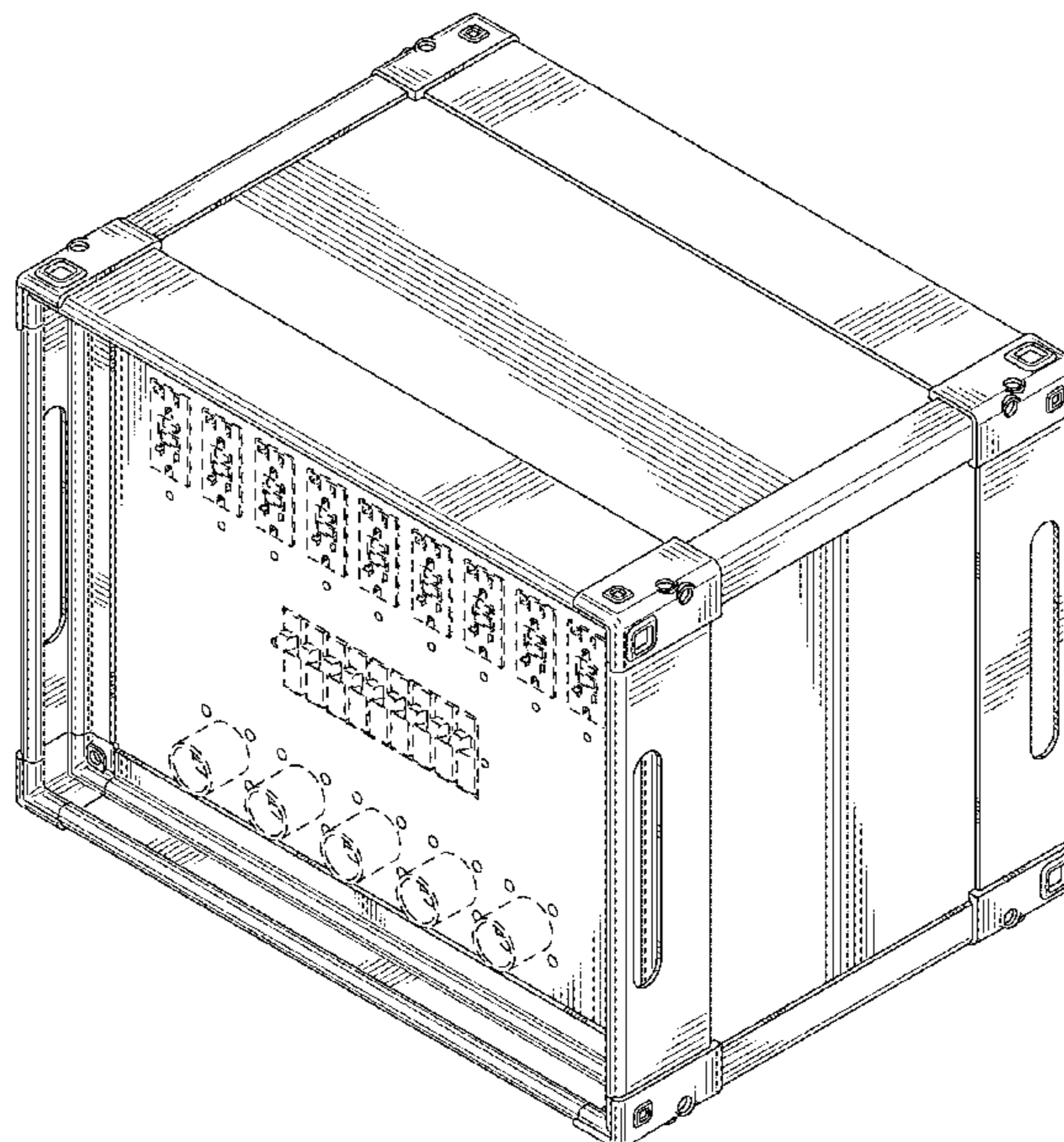


Fig. 1

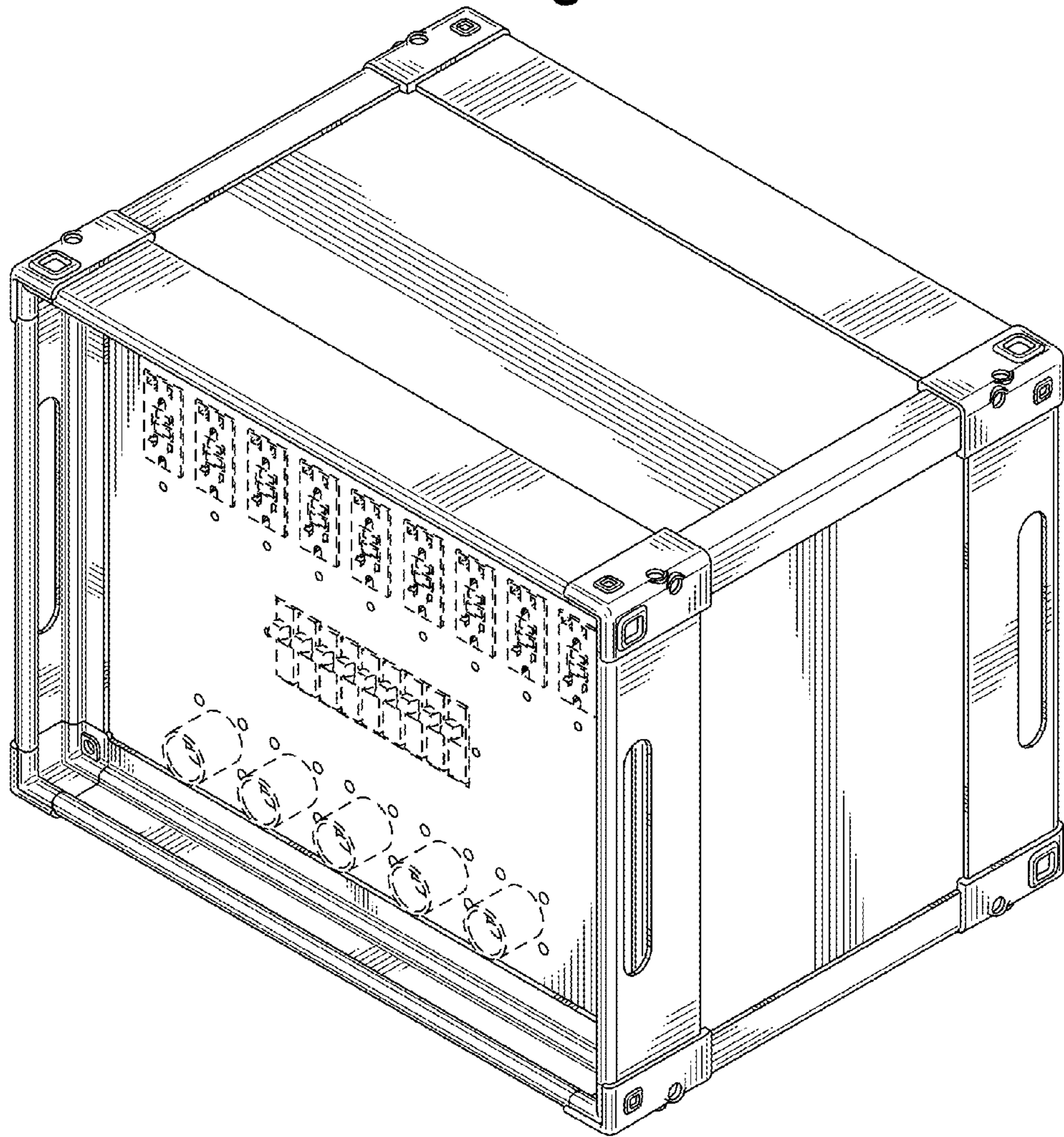


Fig. 2

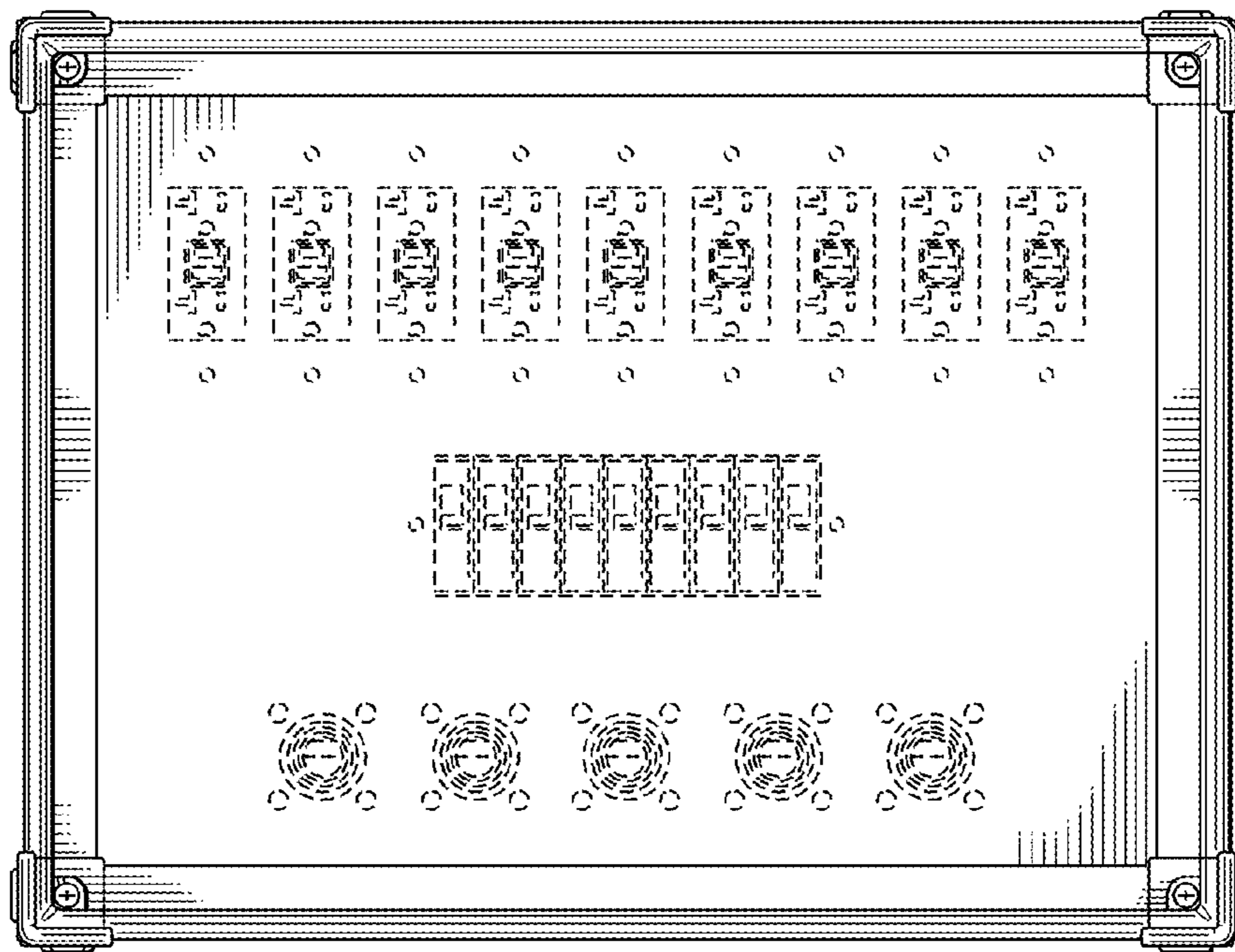


Fig. 3

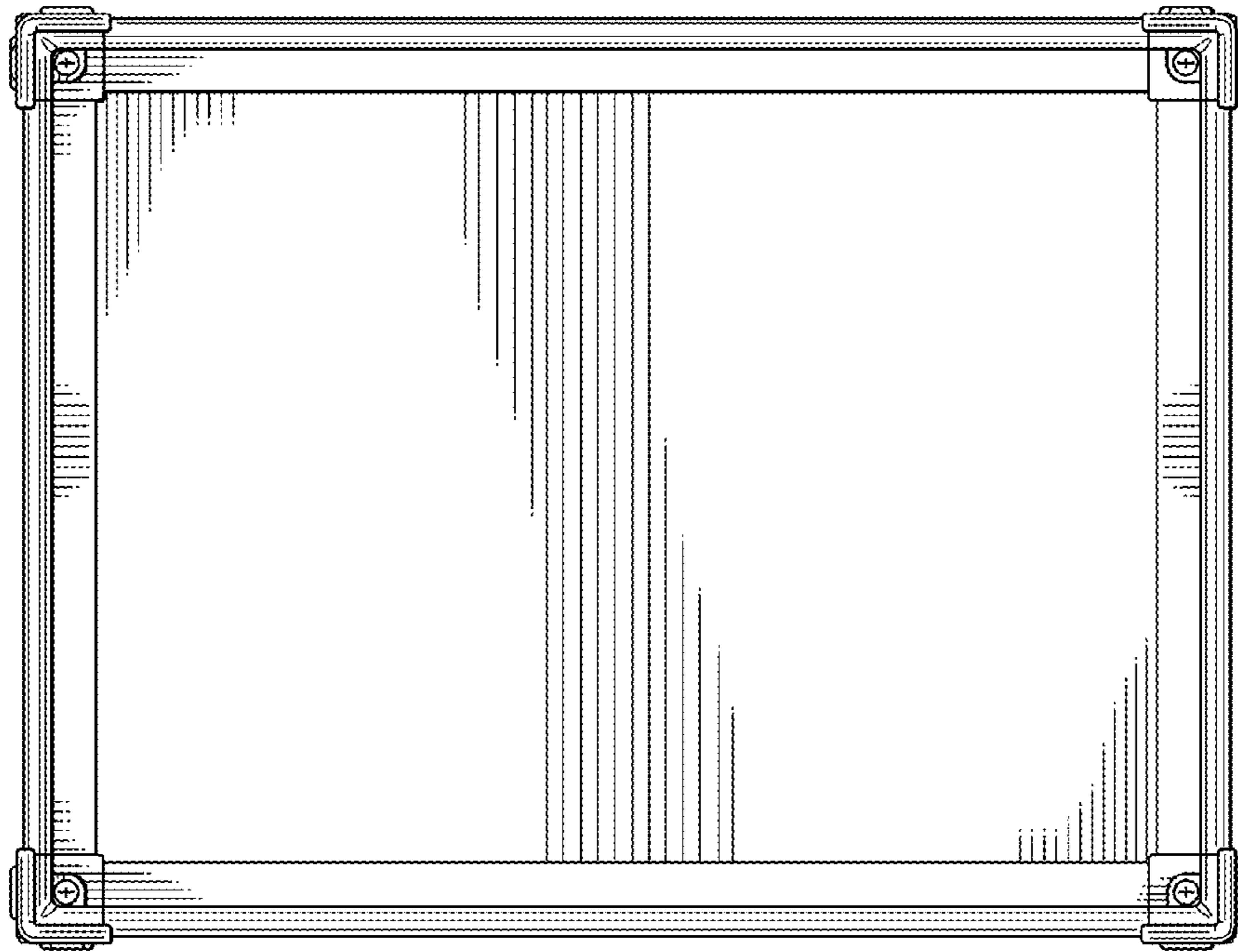


Fig. 4

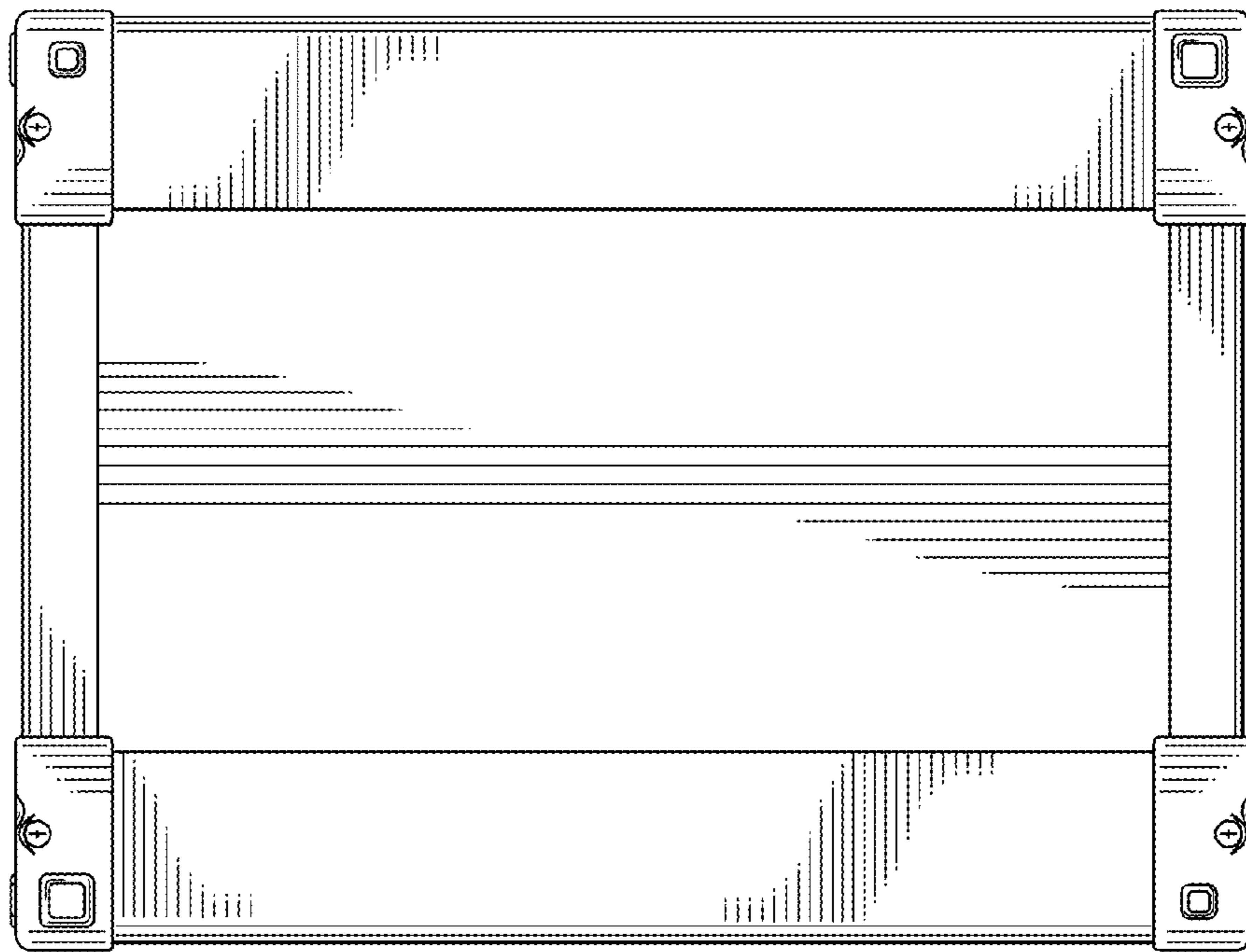


Fig. 5

