

US00D682217S

(12) **United States Design Patent**
Katayanagi

(10) **Patent No.:** **US D682,217 S**

(45) **Date of Patent:** **** May 14, 2013**

(54) **ELECTRICAL CONNECTOR**

(75) Inventor: **Masayuki Katayanagi**, Tokyo (JP)

(73) Assignee: **Japan Aviation Electronics Industry, Limited**, Tokyo (JP)

(**) Term: **14 Years**

(21) Appl. No.: **29/428,778**

(22) Filed: **Aug. 3, 2012**

(30) **Foreign Application Priority Data**

Feb. 23, 2012 (JP) 2012-003756

(51) **LOC (9) Cl.** **13-03**

(52) **U.S. Cl.**
USPC **D13/147**

(58) **Field of Classification Search** D13/133,
D13/147, 154, 184, 199; 439/79, 108, 180,
439/246, 374, 488, 527, 529, 530, 533, 540.1,
439/541.5, 607.1, 607.4, 607.5, 607.17, 607.25,
439/607.34, 607.41, 607.53, 660, 676, 680,
439/883, 891, 892, 894

See application file for complete search history.

(56) **References Cited**

U.S. PATENT DOCUMENTS

D406,817 S *	3/1999	Wu	D13/147
6,095,861 A *	8/2000	Lin et al.	439/607.25
D480,687 S *	10/2003	Zhu et al.	D13/147
D537,792 S *	3/2007	Imai	D13/147
D543,150 S *	5/2007	Wan et al.	D13/147
D552,037 S *	10/2007	Imai	D13/147
D619,096 S *	7/2010	Masumoto et al.	D13/147
D620,446 S *	7/2010	Huang et al.	D13/147
D641,704 S *	7/2011	Lee et al.	D13/147

* cited by examiner

Primary Examiner — Daniel Bui

(74) *Attorney, Agent, or Firm* — Westerman, Hattori, Daniels & Adrian, LLP

(57) **CLAIM**

The ornamental design for an electrical connector, as shown and described.

DESCRIPTION

FIG. 1 is a front elevational view of an electrical connector, showing my new design;

FIG. 2 is a rear elevational view thereof;

FIG. 3 is a right side elevational view thereof;

FIG. 4 is a left side elevational view thereof;

FIG. 5 is a top plan view thereof;

FIG. 6 is a bottom plan view thereof;

FIG. 7 is a cross-sectional view, taken along line 7-7 of FIG. 1;

FIG. 8 is a cross-sectional view, taken along line 8-8 of FIG. 1;

FIG. 9 is a right front perspective view showing the top thereof;

FIG. 10 a left rear perspective view showing the bottom thereof;

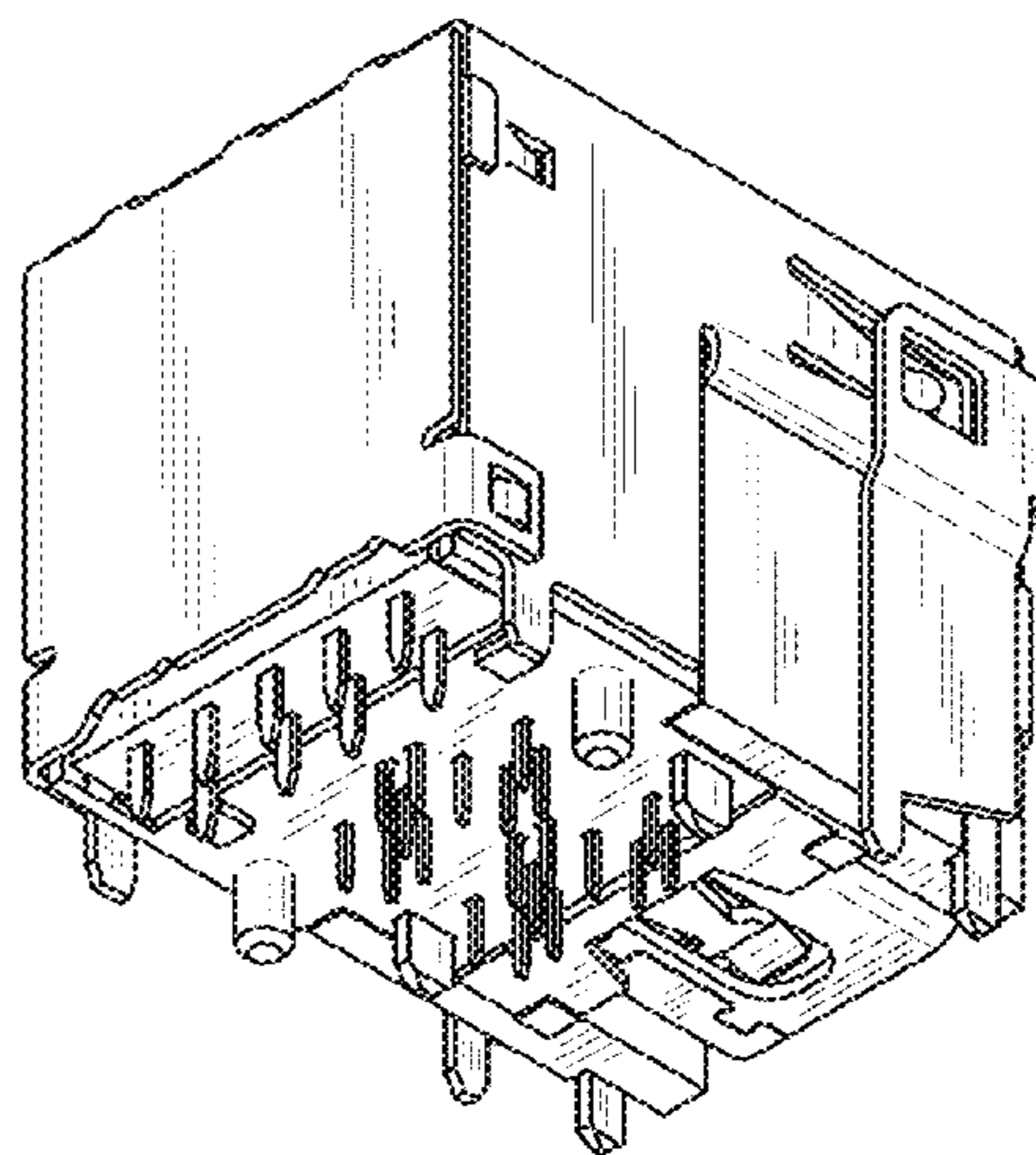
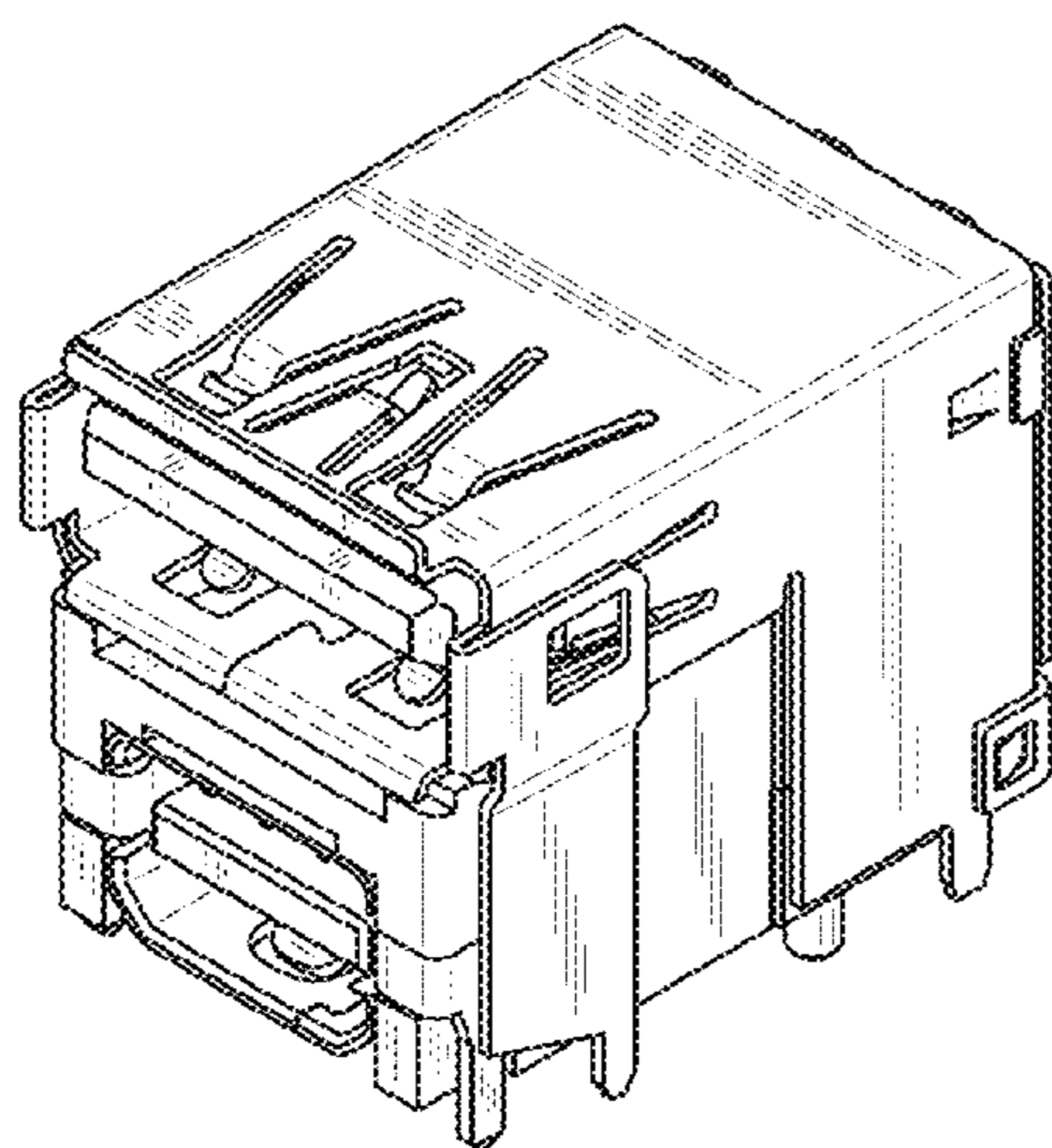
FIG. 11 is a right front perspective view showing the bottom thereof; and,

FIG. 12 is a left rear perspective view showing the top thereof.

The cross-hatching in FIG. 7 and FIG. 8 symbolizes the interior of the electrical connector, and forms no part of the claimed design.

The broken lines shown in the drawings form no part of the claimed design.

1 Claim, 6 Drawing Sheets



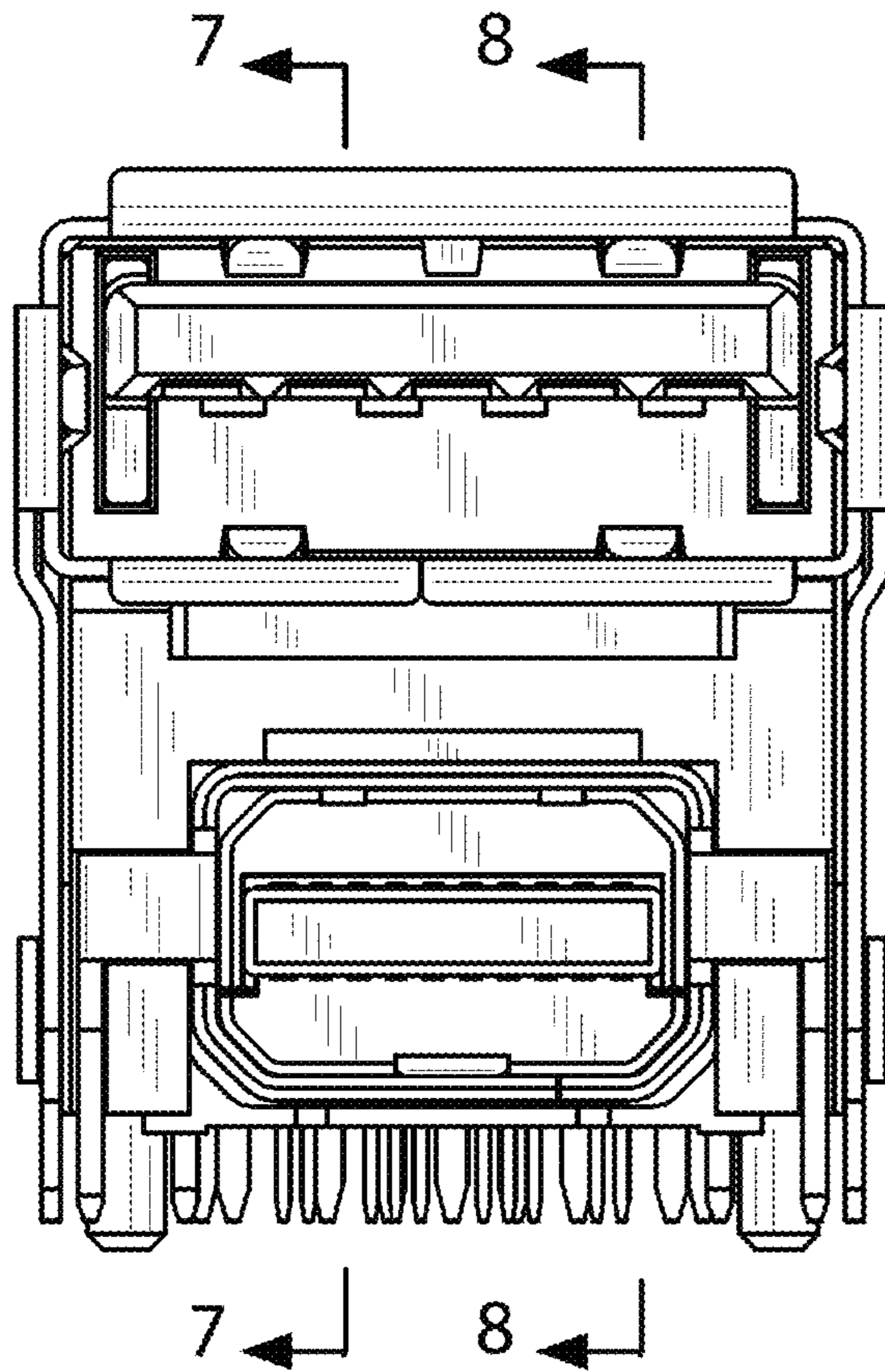


FIG. 1

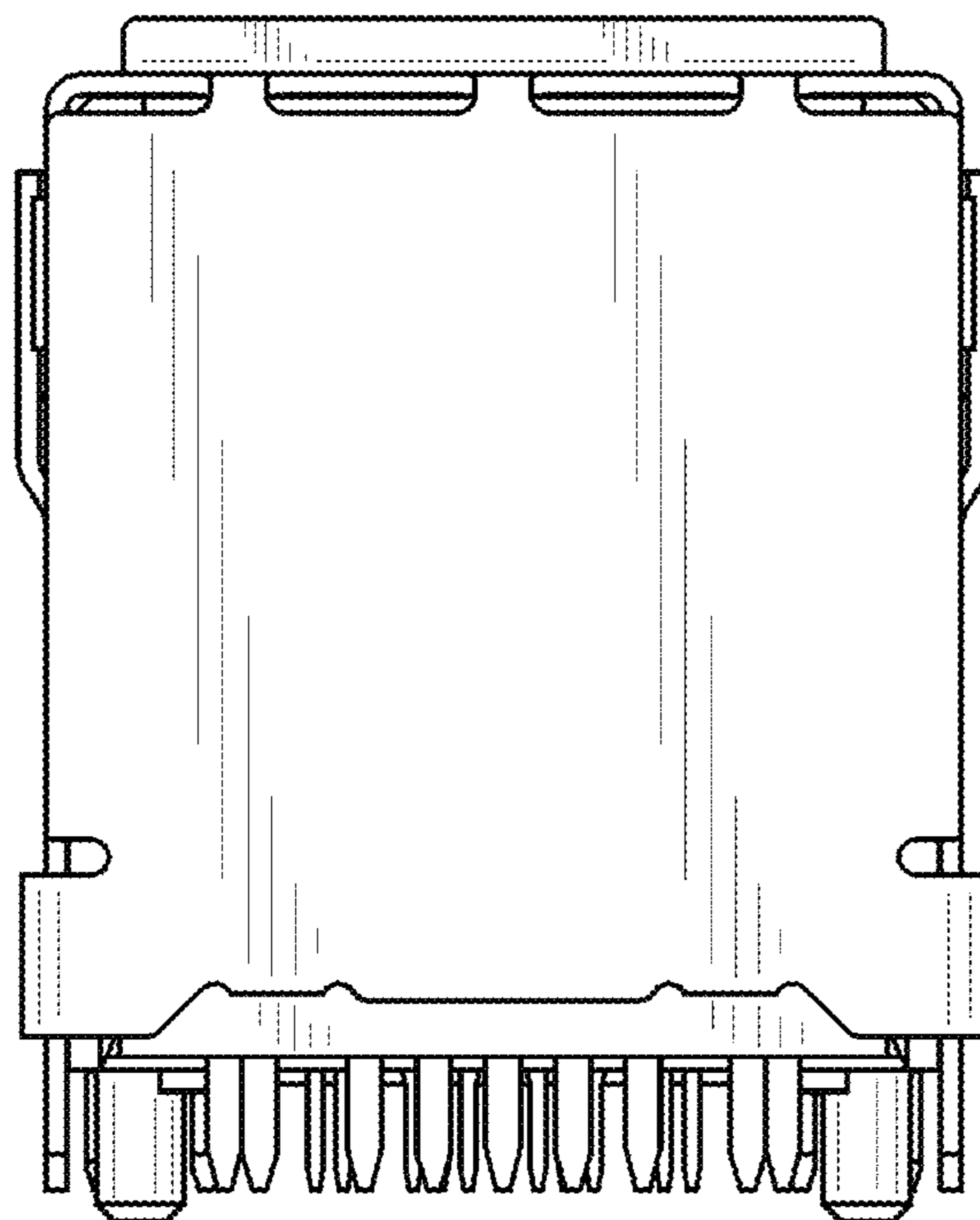


FIG. 2

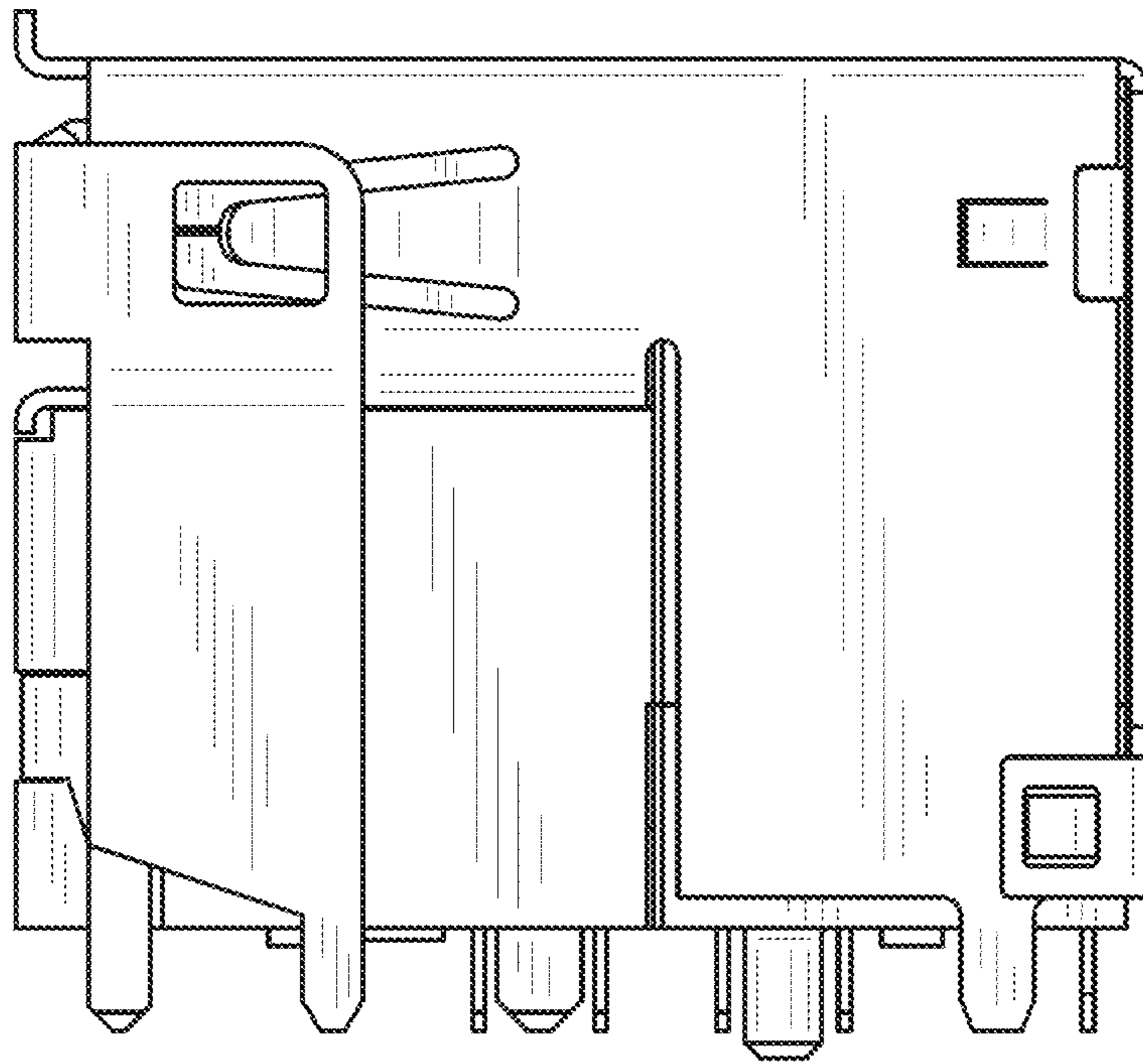


FIG. 3

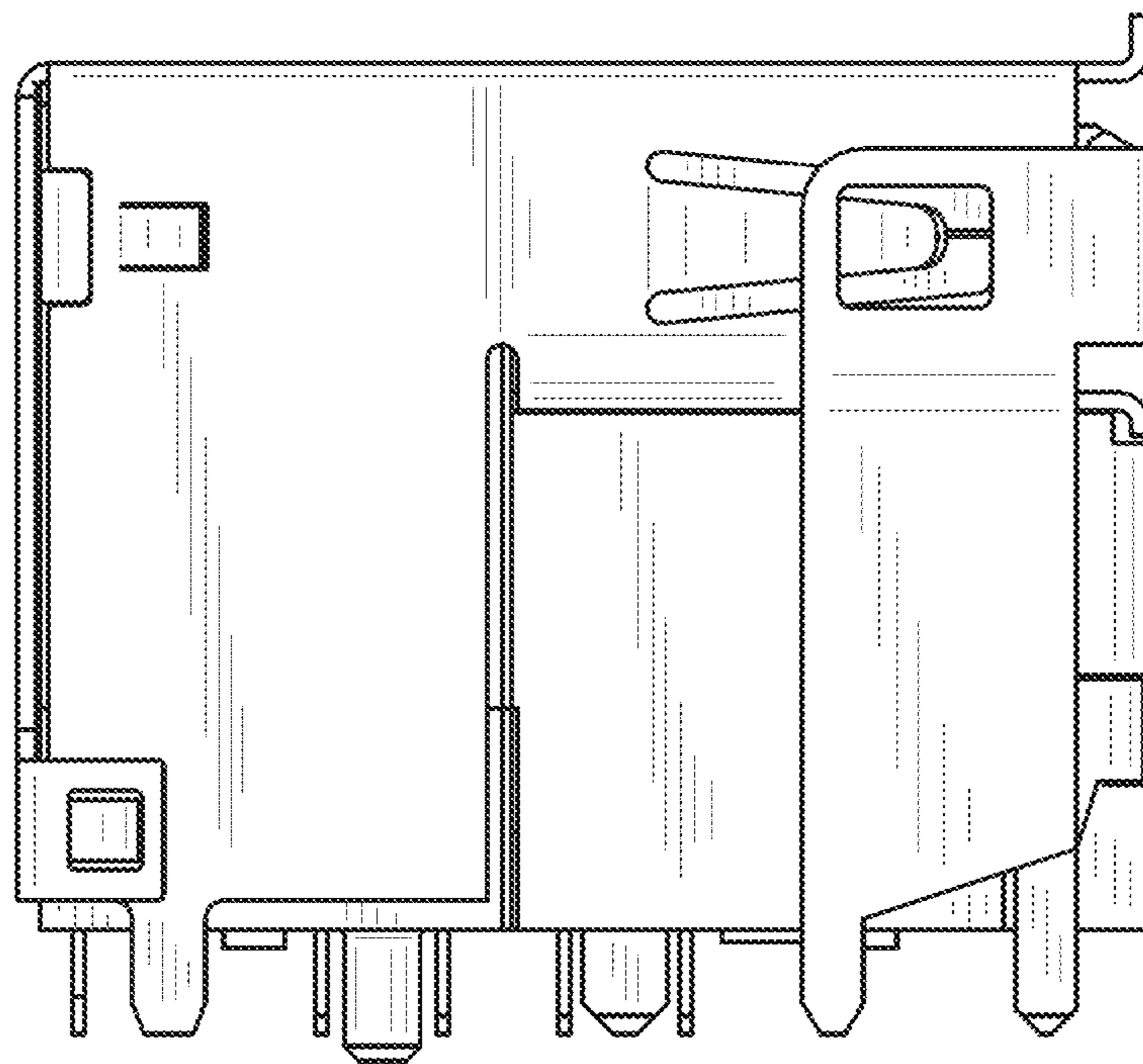


FIG. 4

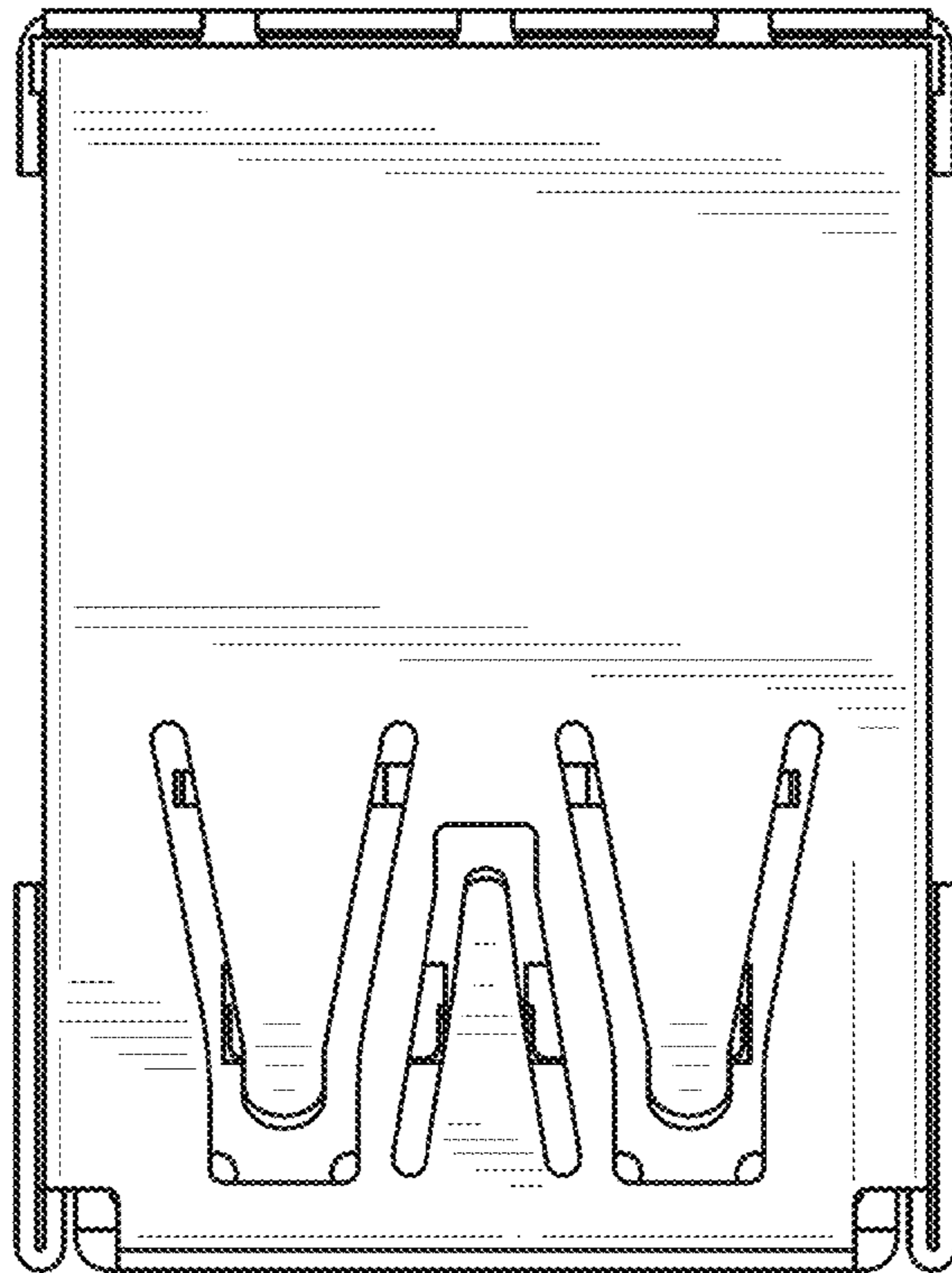


FIG. 5

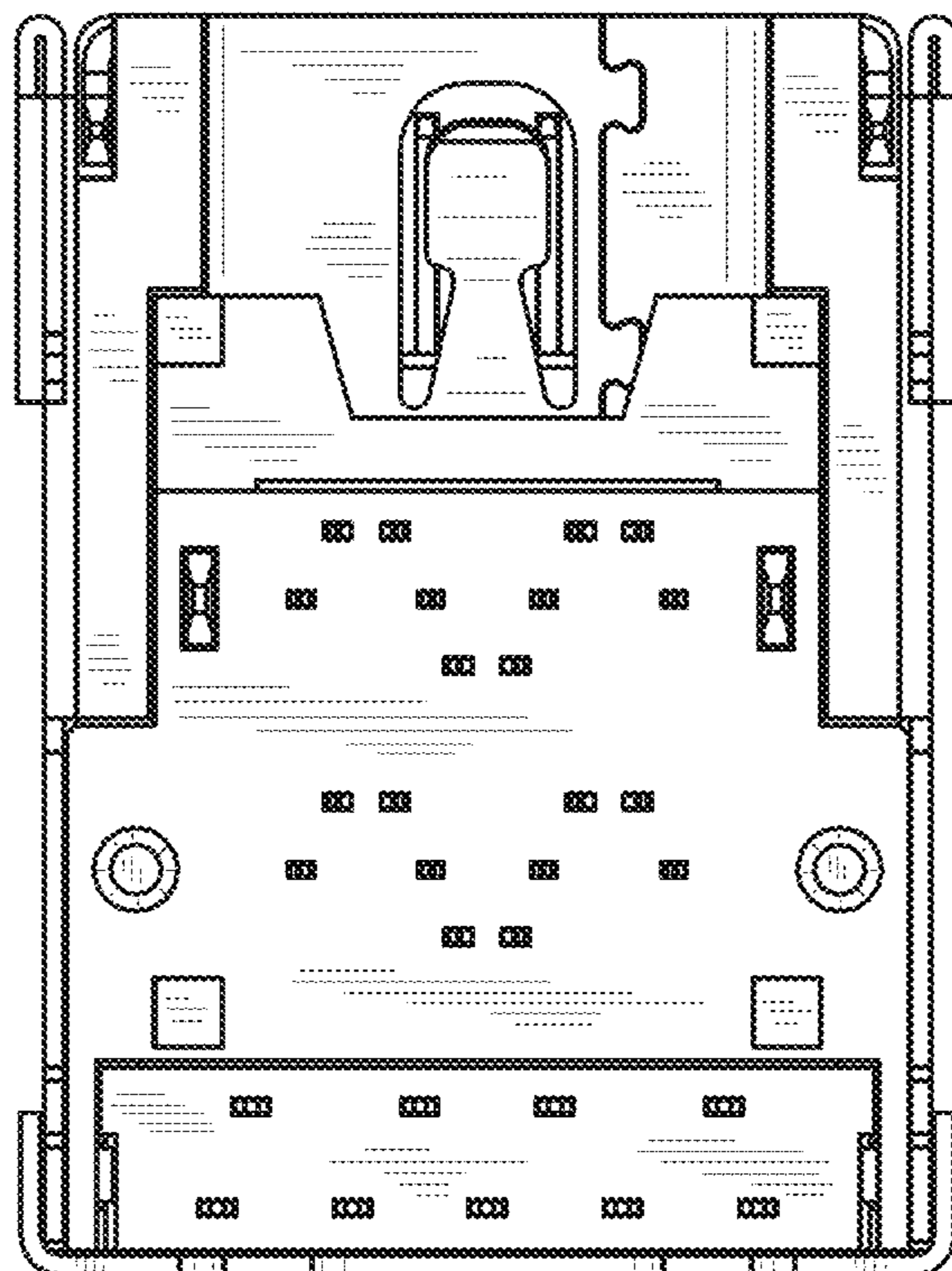


FIG. 6

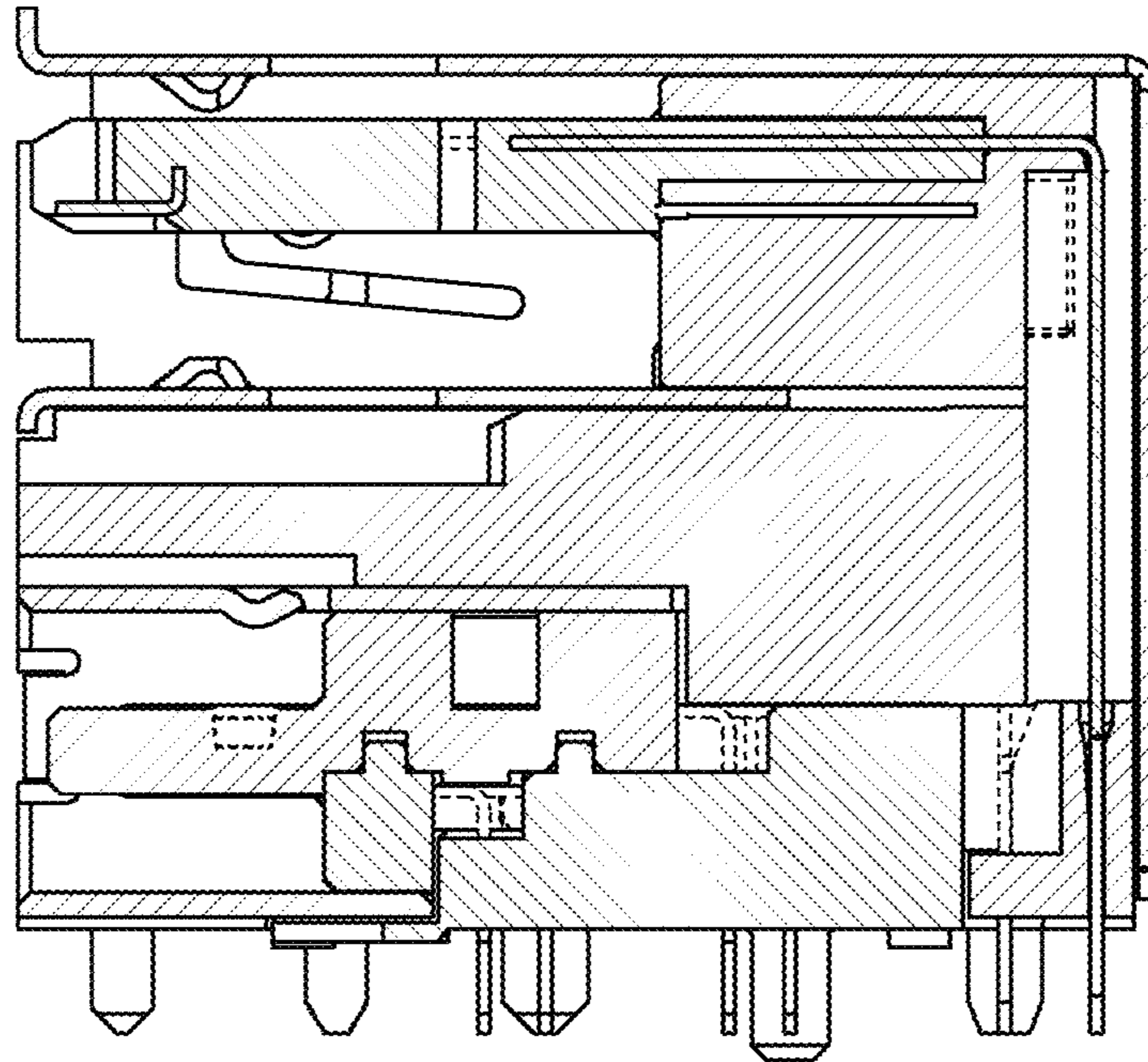


FIG. 7

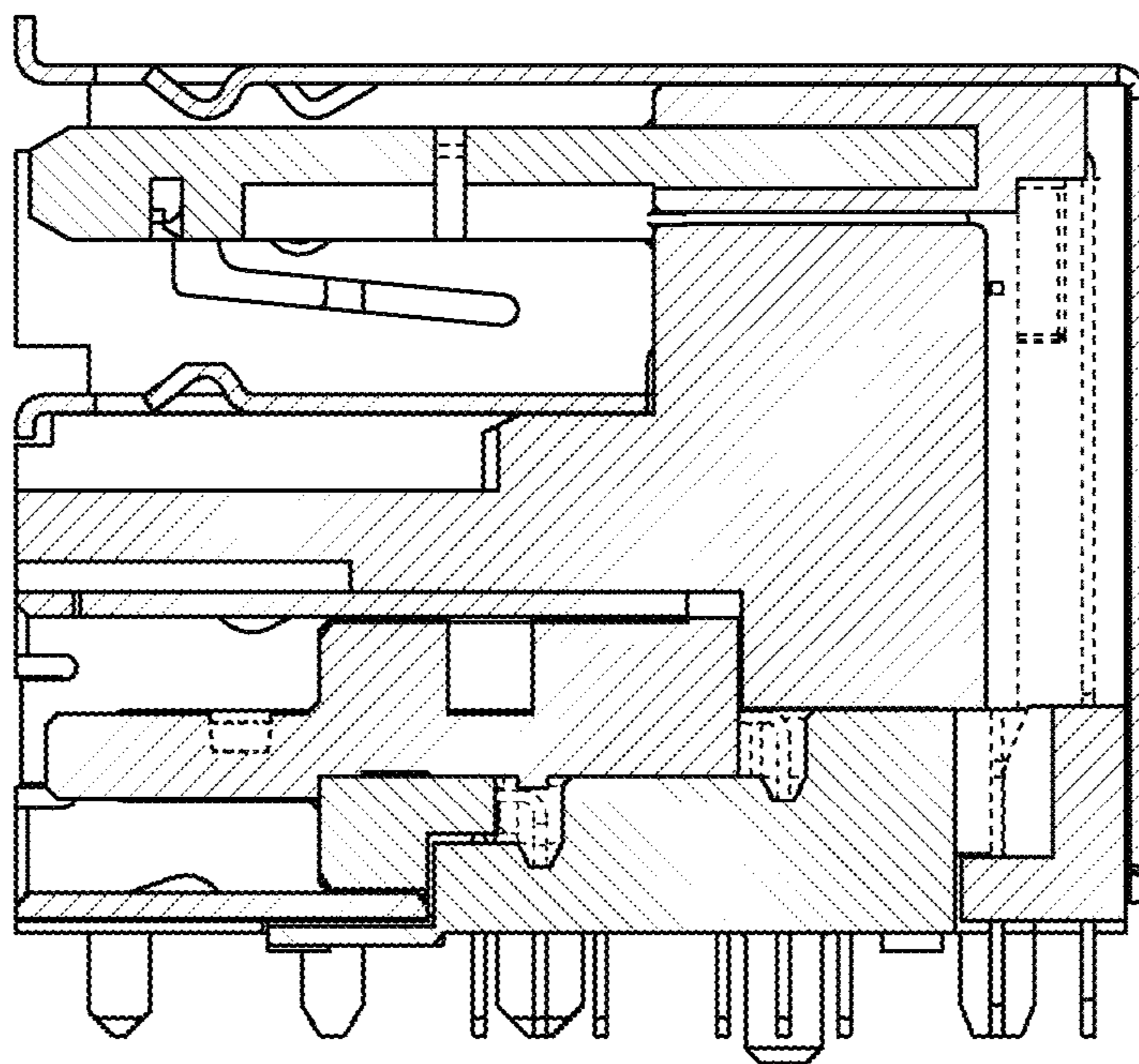


FIG. 8

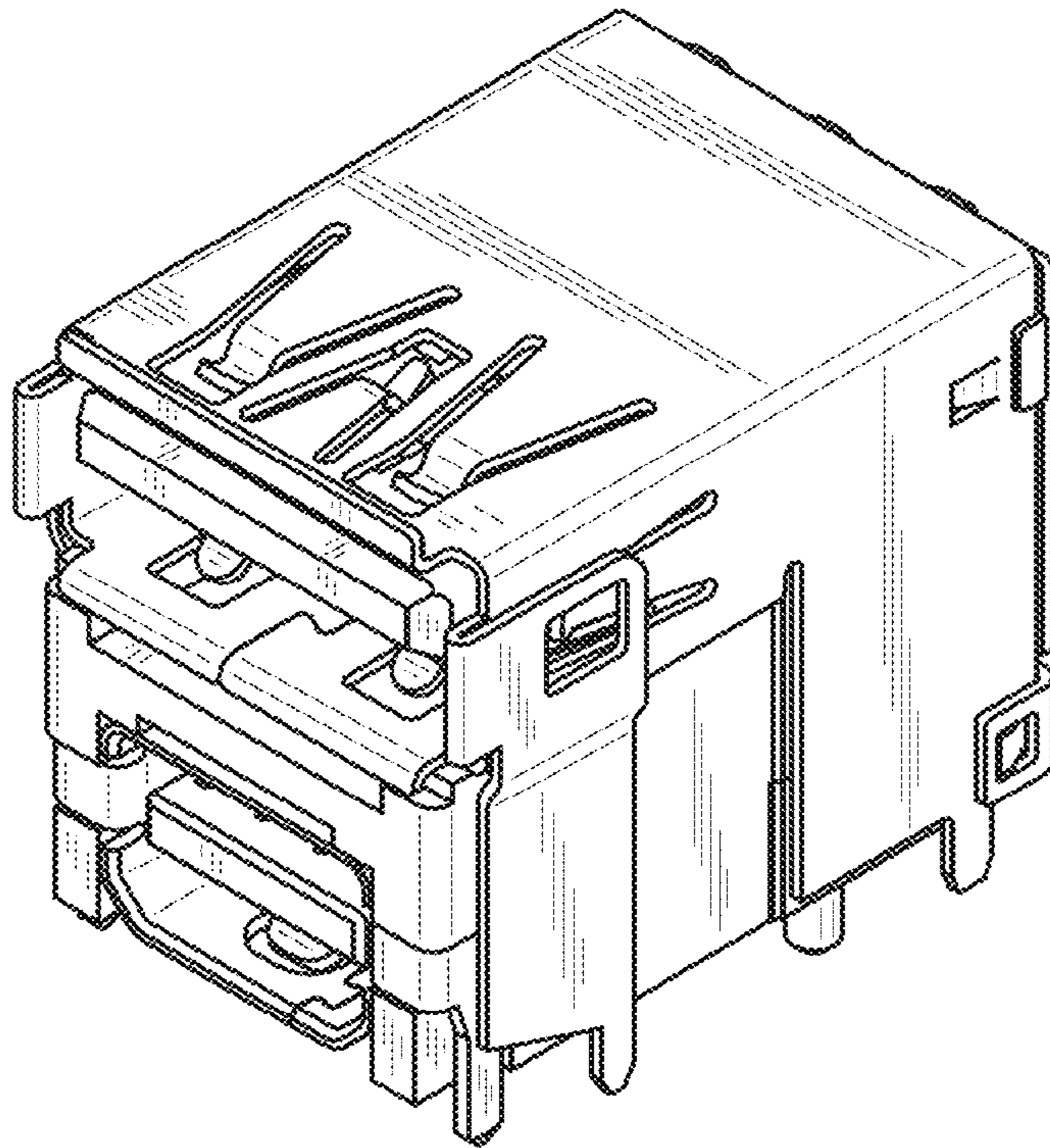


FIG. 9

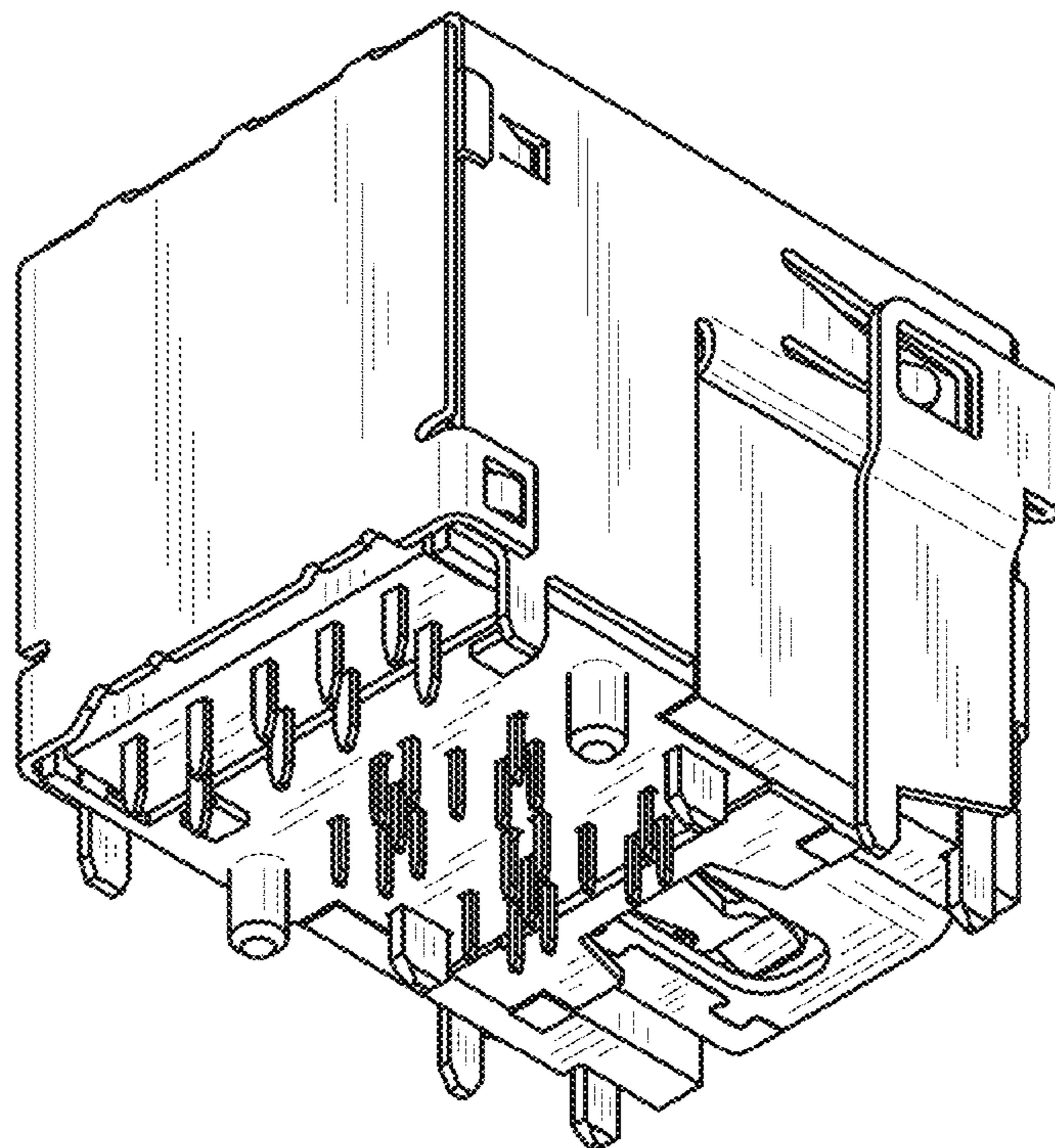


FIG. 10

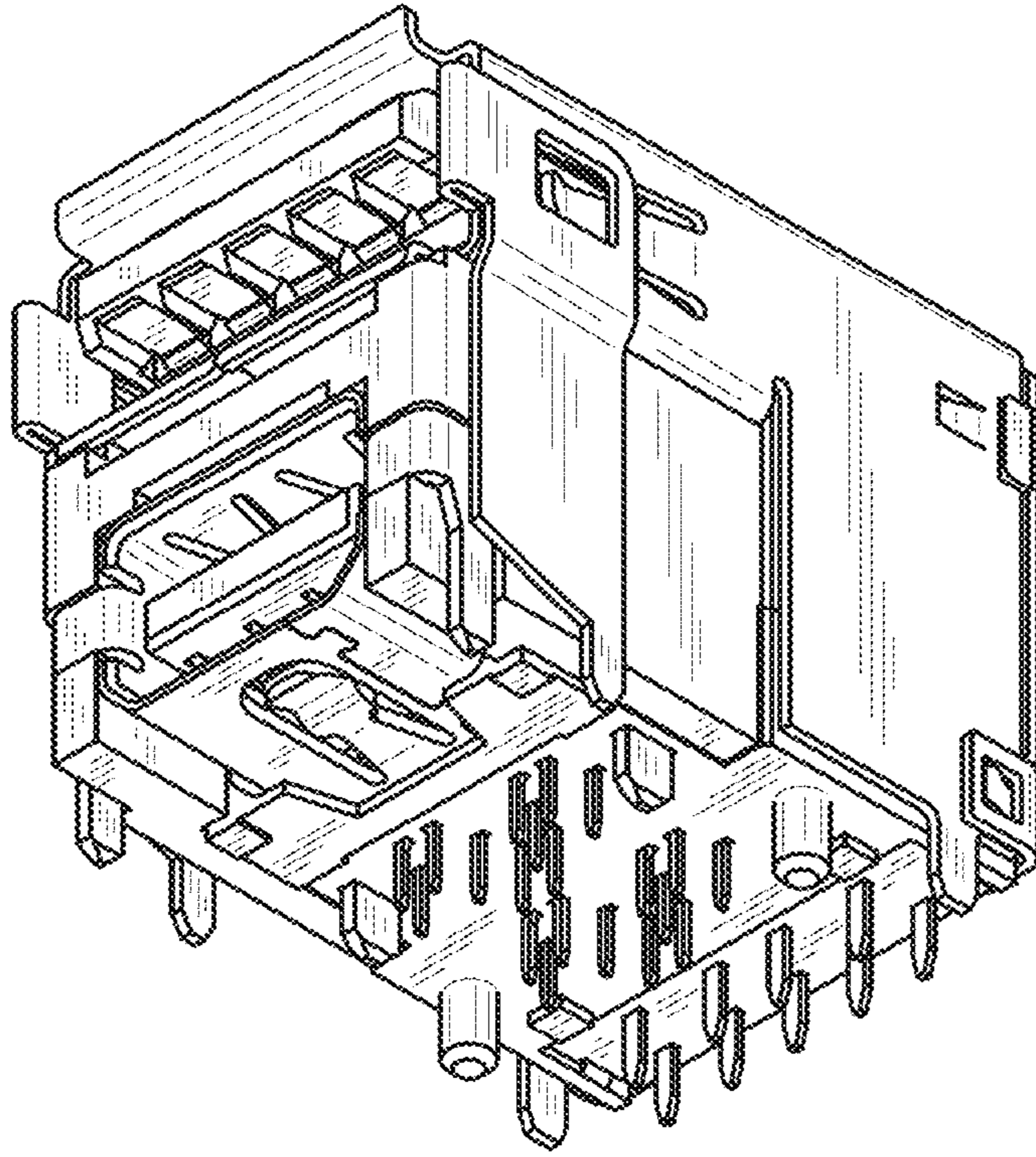


FIG. 11

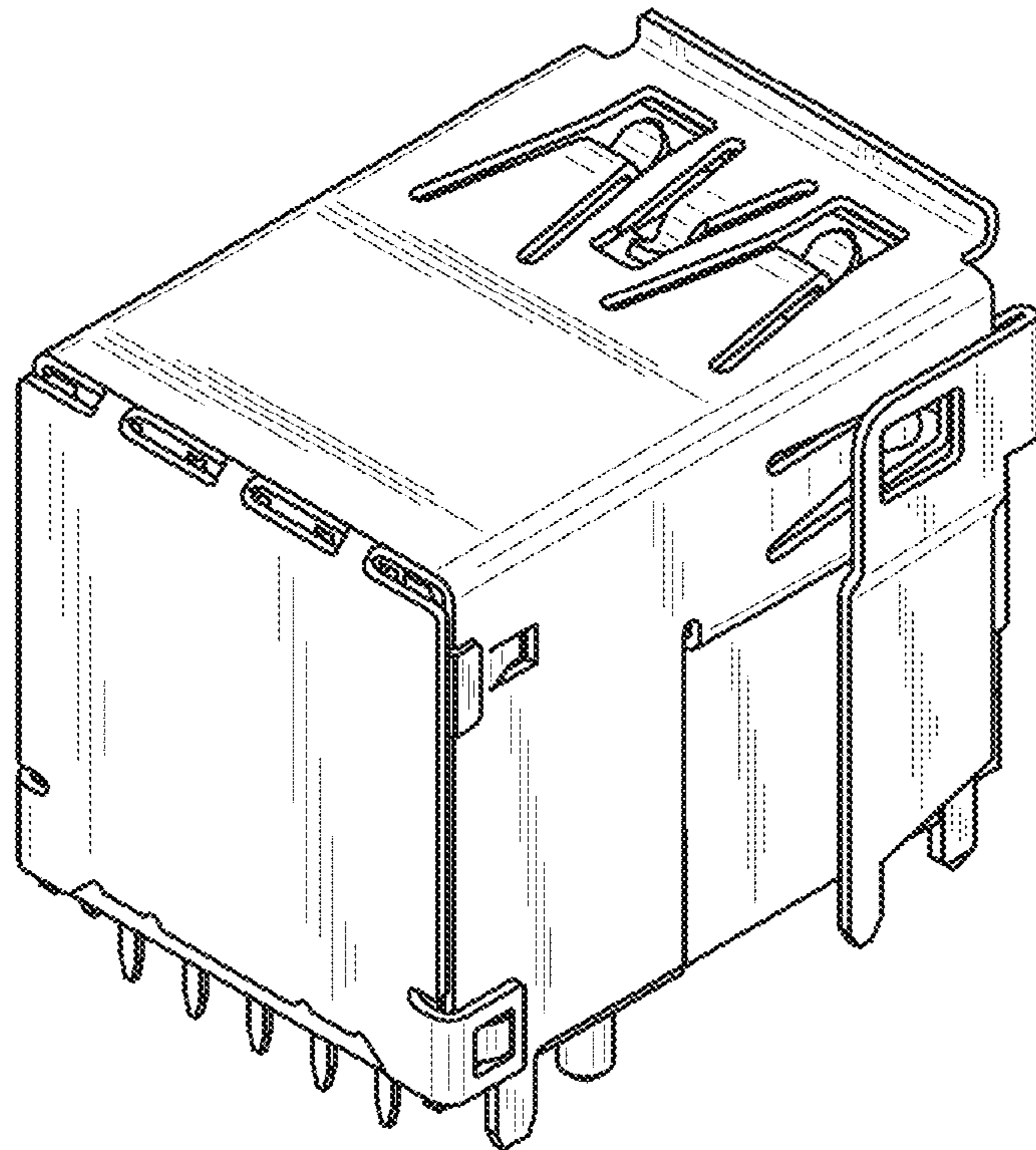


FIG. 12