



US00D682214S

(12) **United States Design Patent**
Miller

(10) **Patent No.:** **US D682,214 S**
(45) **Date of Patent:** **** May 14, 2013**

(54) **DOCKING BAY ELECTRICAL OUTLET UNIT**

(76) Inventor: **Dennis L. Miller**, Bettendorf, IA (US)

(**) Term: **14 Years**

(21) Appl. No.: **29/417,533**

(22) Filed: **Apr. 4, 2012**

(51) **LOC (9) Cl.** **13-03**

(52) **U.S. Cl.**
USPC **D13/139.8**

(58) **Field of Classification Search** D13/107,
D13/109, 110, 112, 114, 130, 132, 137, 137.1,
D13/137.2, 137.3, 137.4, 138.1, 139.1, 139.2,
D13/139.4, 139.5, 139.7, 139.8, 146, 147,
D13/152, 160, 161, 164, 199

See application file for complete search history.

(56) **References Cited**

U.S. PATENT DOCUMENTS

| | | | | |
|--------------|---------|---------------|-------|-----------|
| D312,615 S * | 12/1990 | Schwartz | | D13/137.2 |
| D318,849 S * | 8/1991 | Luu | | D13/138.2 |
| D357,460 S * | 4/1995 | Lovett | | D13/139.1 |
| D443,589 S * | 6/2001 | Tong et al. | | D13/137.2 |
| D486,126 S * | 2/2004 | Aromin | | D13/137.2 |
| D528,076 S * | 9/2006 | Tan | | D13/137.2 |
| D547,271 S * | 7/2007 | Ng | | D13/137.1 |
| D641,481 S * | 7/2011 | Fisher et al. | | D24/186 |

OTHER PUBLICATIONS

<http://www.drugstore.com/philips-power-multiplier-6-outlet-tap-with-night-light/qxp351> . . . Dec. 12, 2012.*

* cited by examiner

Primary Examiner — Robert M Spear

Assistant Examiner — Rhea Shields

(74) *Attorney, Agent, or Firm* — Hamilton IP Law; Jay R. Hamilton; Charles A. Damschen

(57) **CLAIM**

The ornamental design for a docking bay electrical outlet unit, as shown and described.

DESCRIPTION

U.S. patent application Ser. No. 13/043,455 filed on Mar. 8, 2011 and U.S. patent application Ser. No. 12/726,724 filed on Apr. 27, 2010.

FIG. 1 is a front perspective view showing my new design;

FIG. 2 is a front side view thereof;

FIG. 3 is a back side view thereof;

FIG. 4 is a right side view thereof;

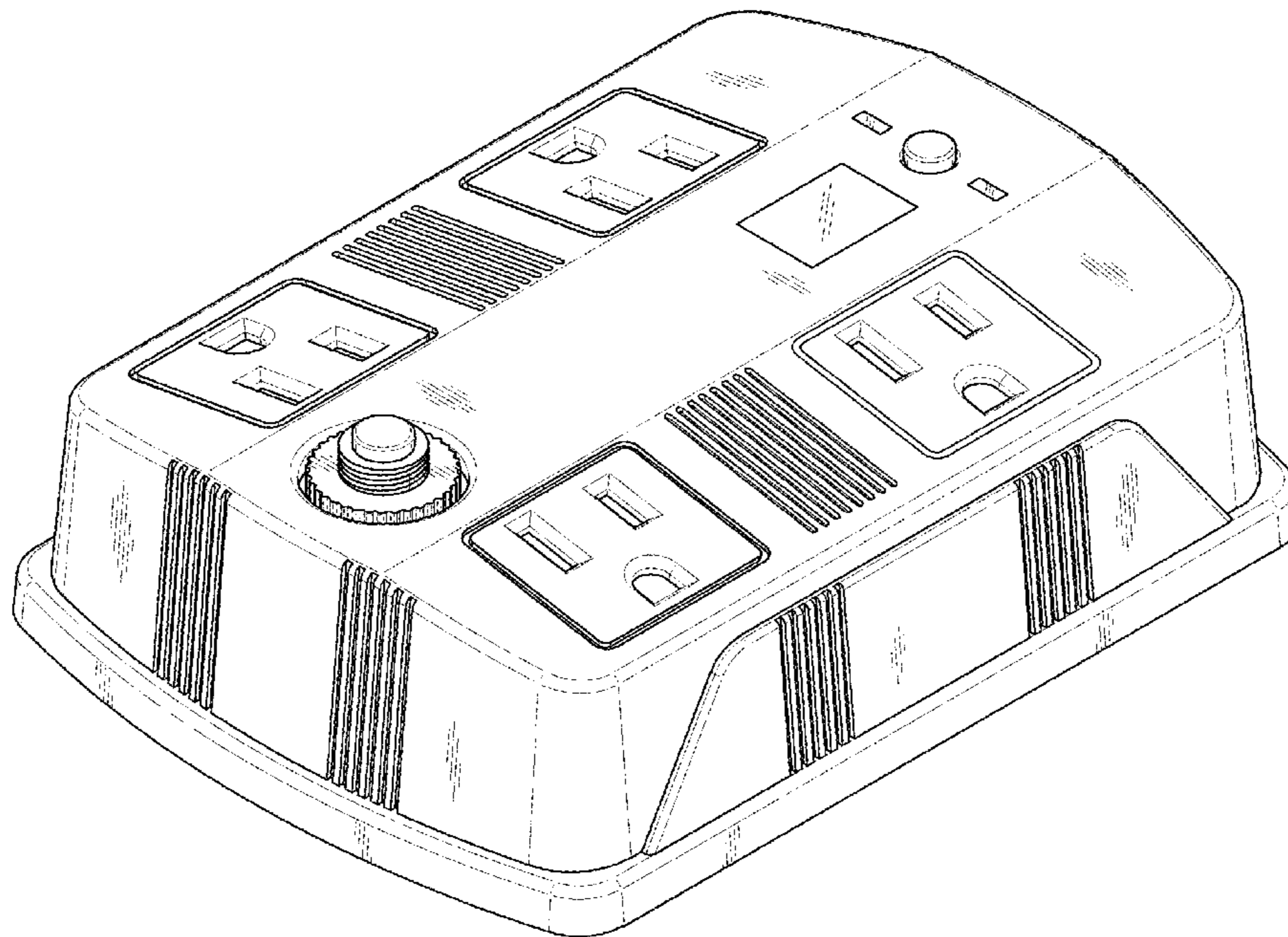
FIG. 5 is a left side view thereof;

FIG. 6 is a top side view thereof; and,

FIG. 7 is a bottom side view thereof.

The broken lines in the Figures are for illustrative purposes only and form no part of the claimed design.

1 Claim, 7 Drawing Sheets



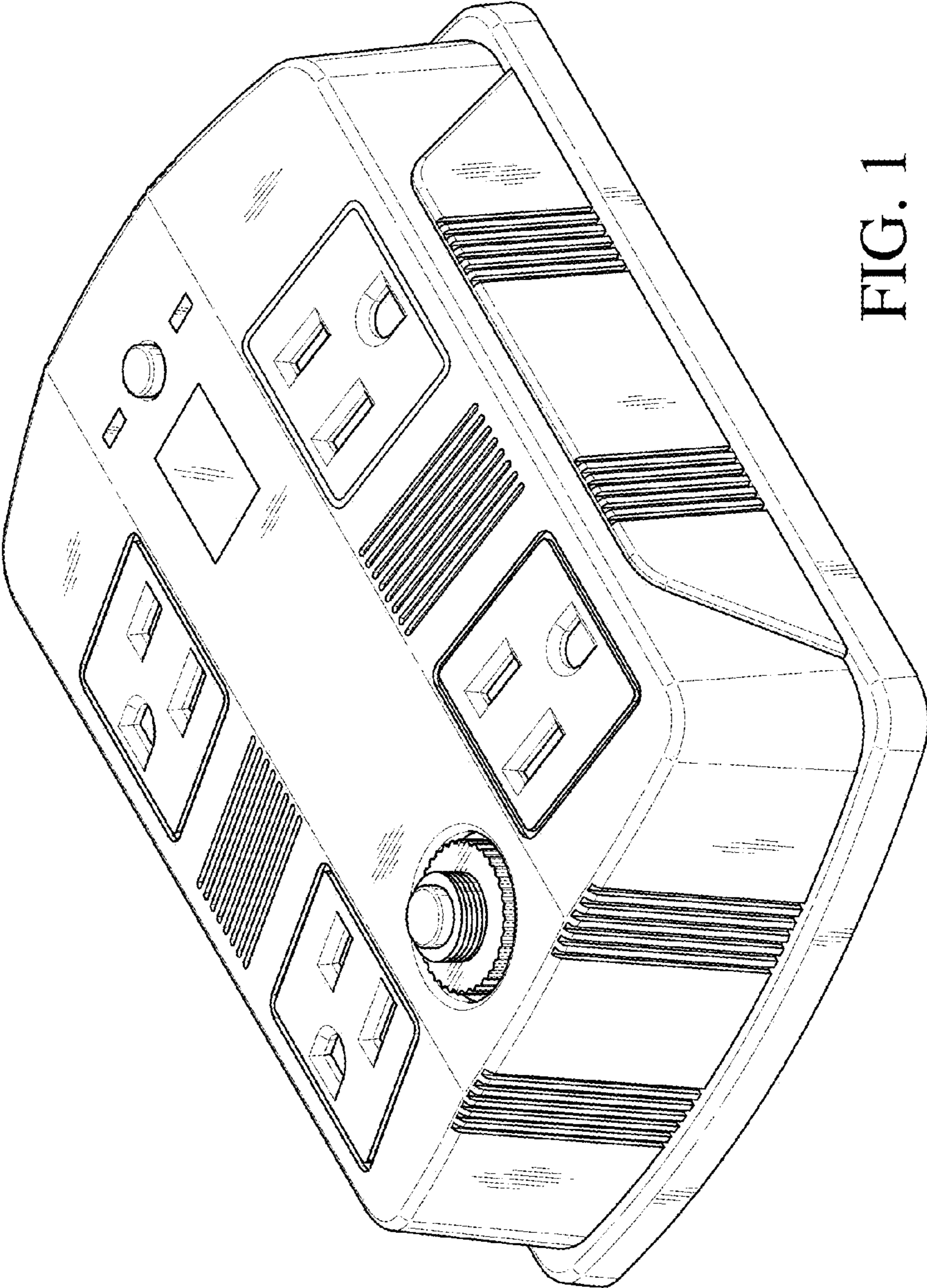


FIG. 1

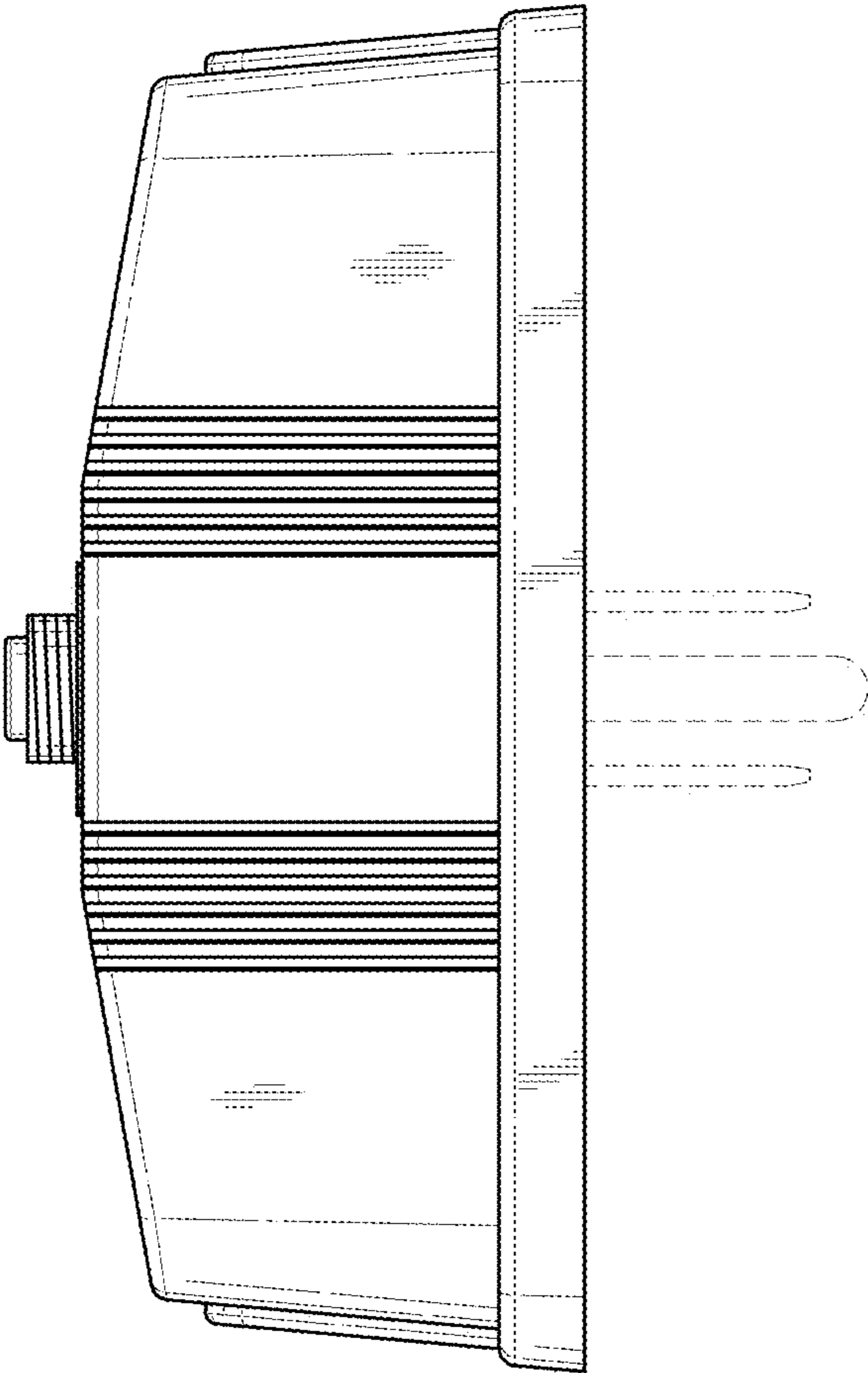


FIG. 2

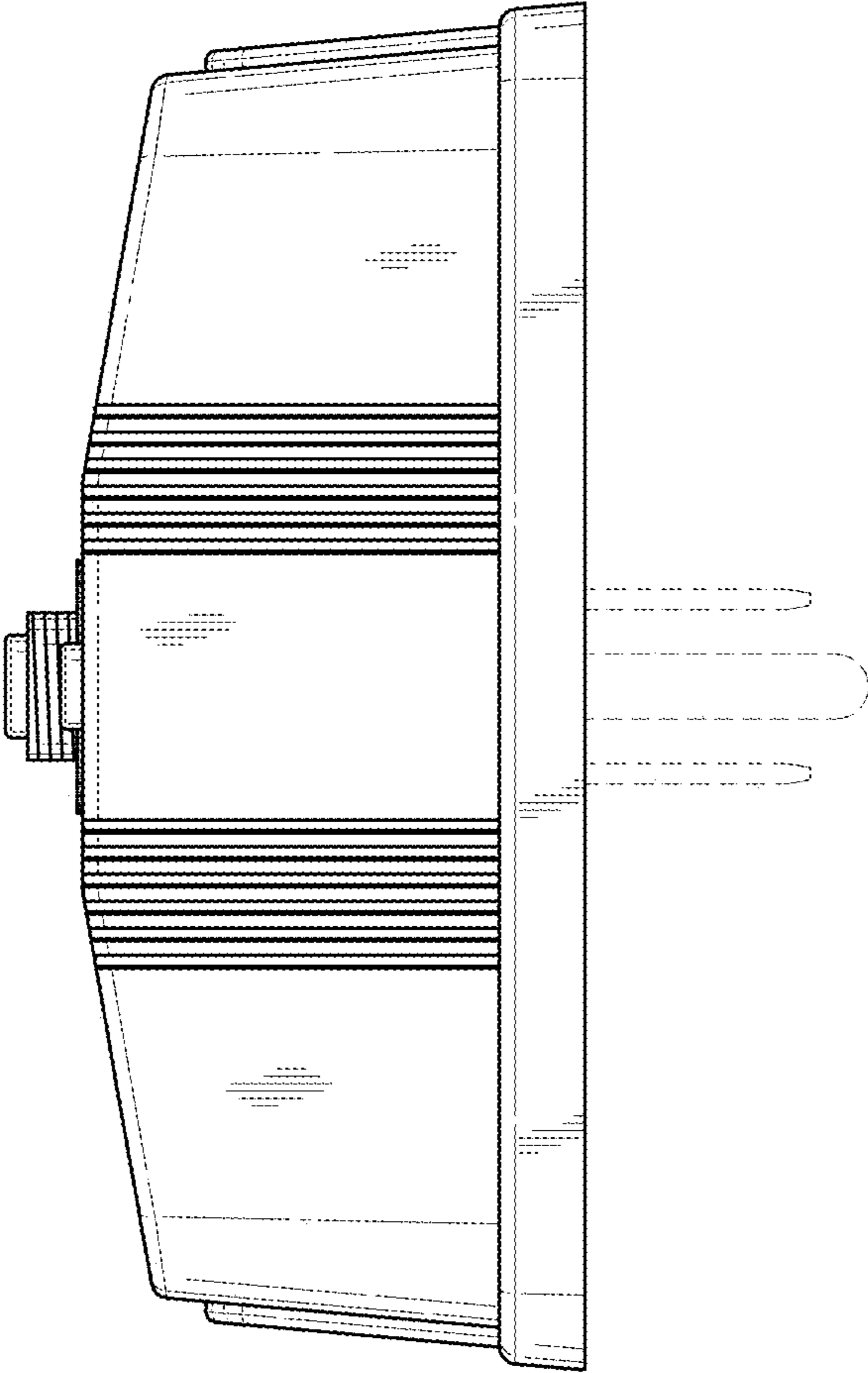


FIG. 3

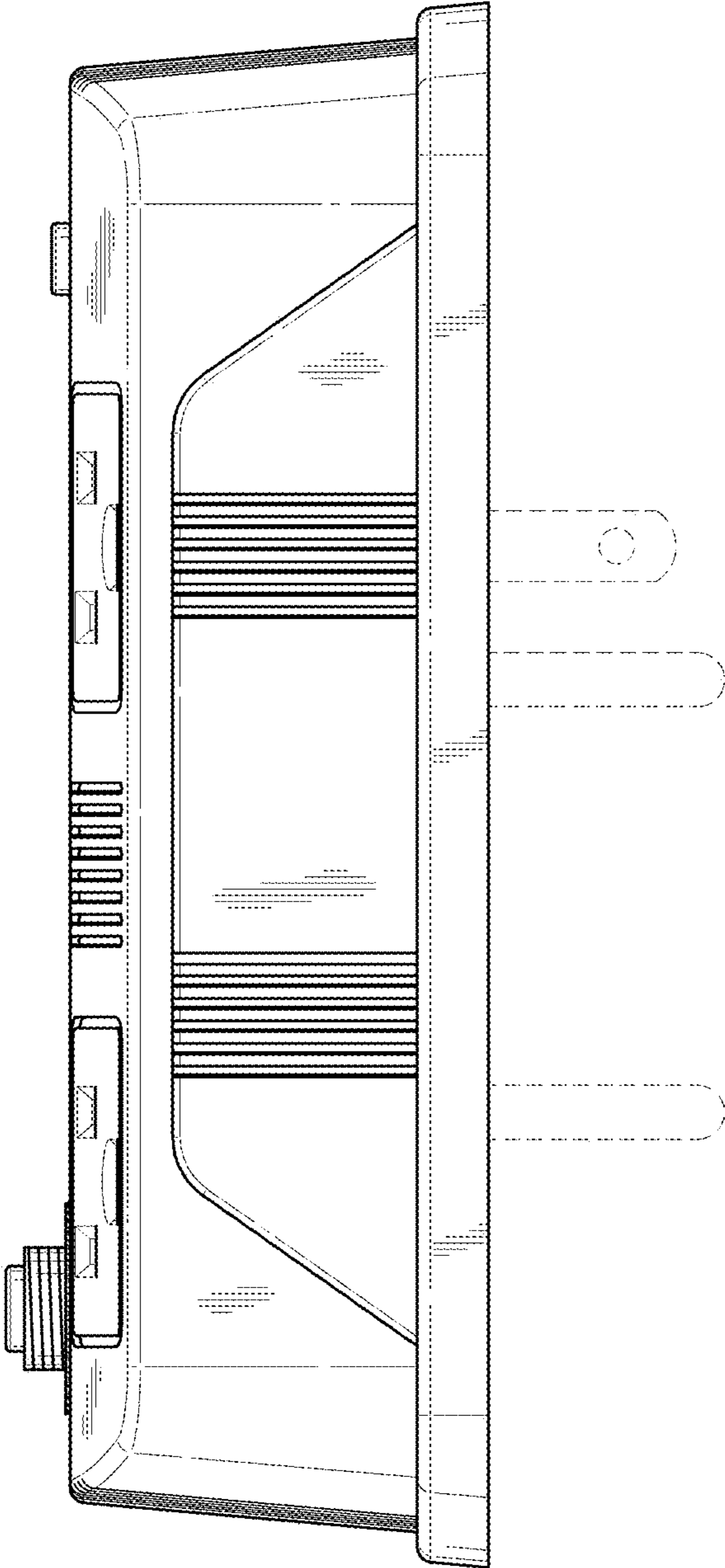


FIG. 4

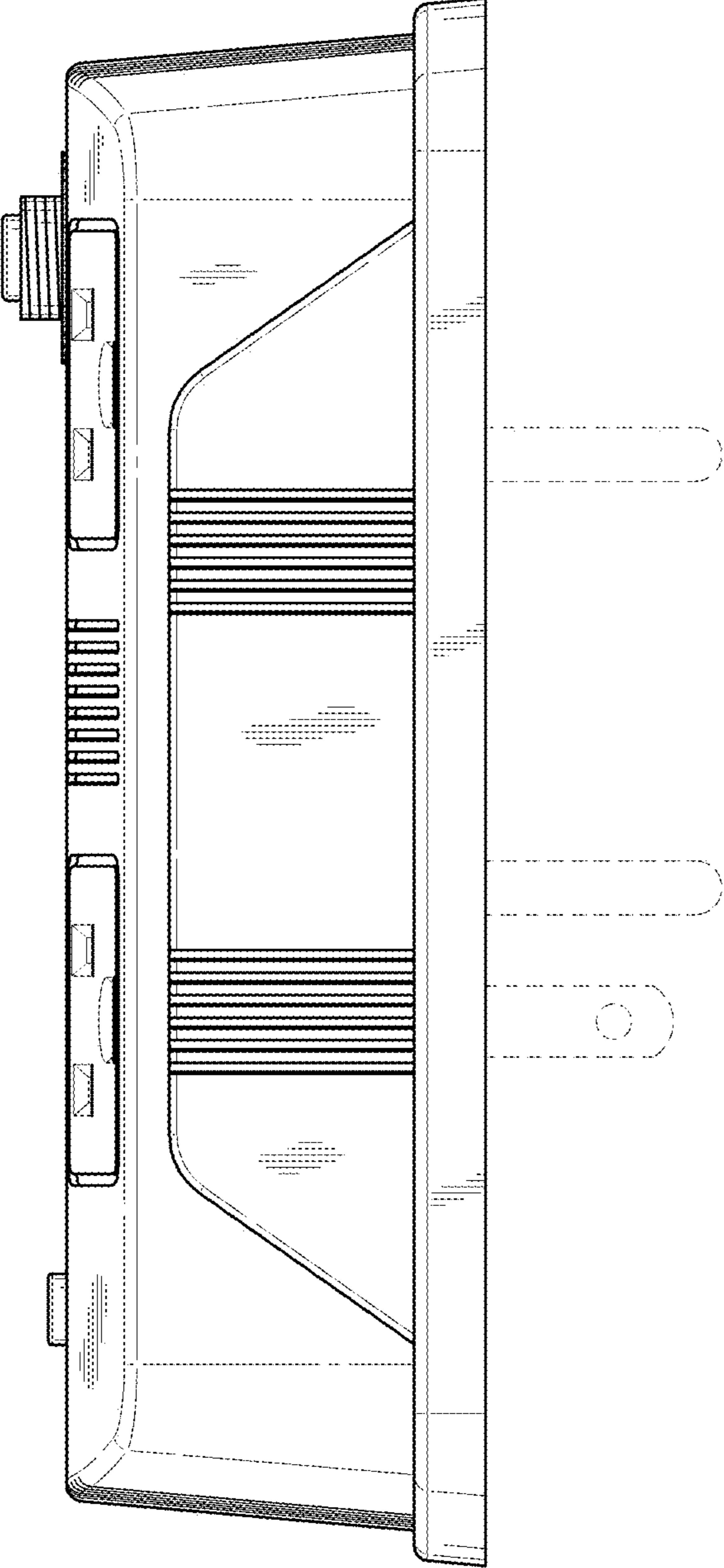


FIG. 5

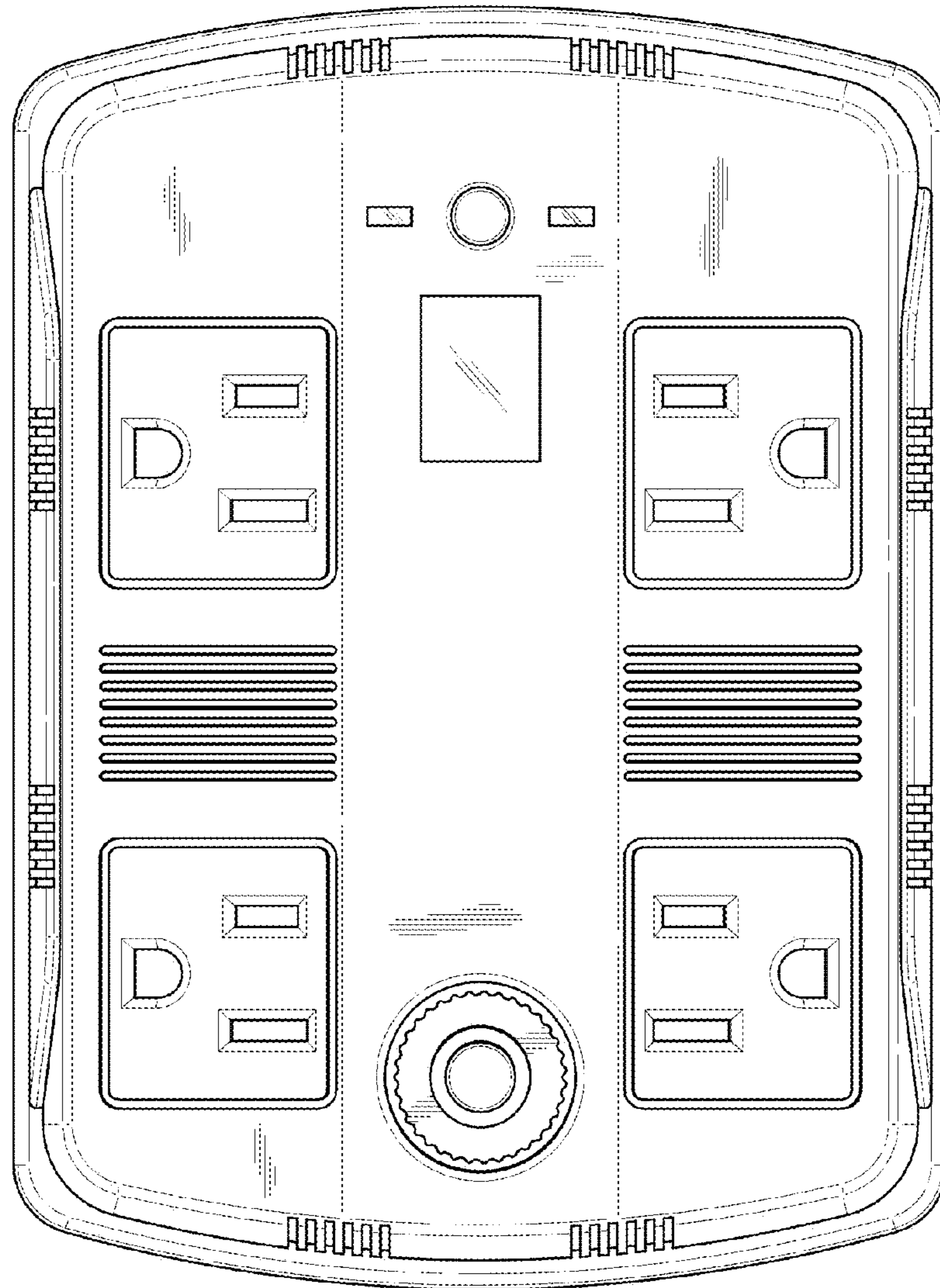


FIG. 6

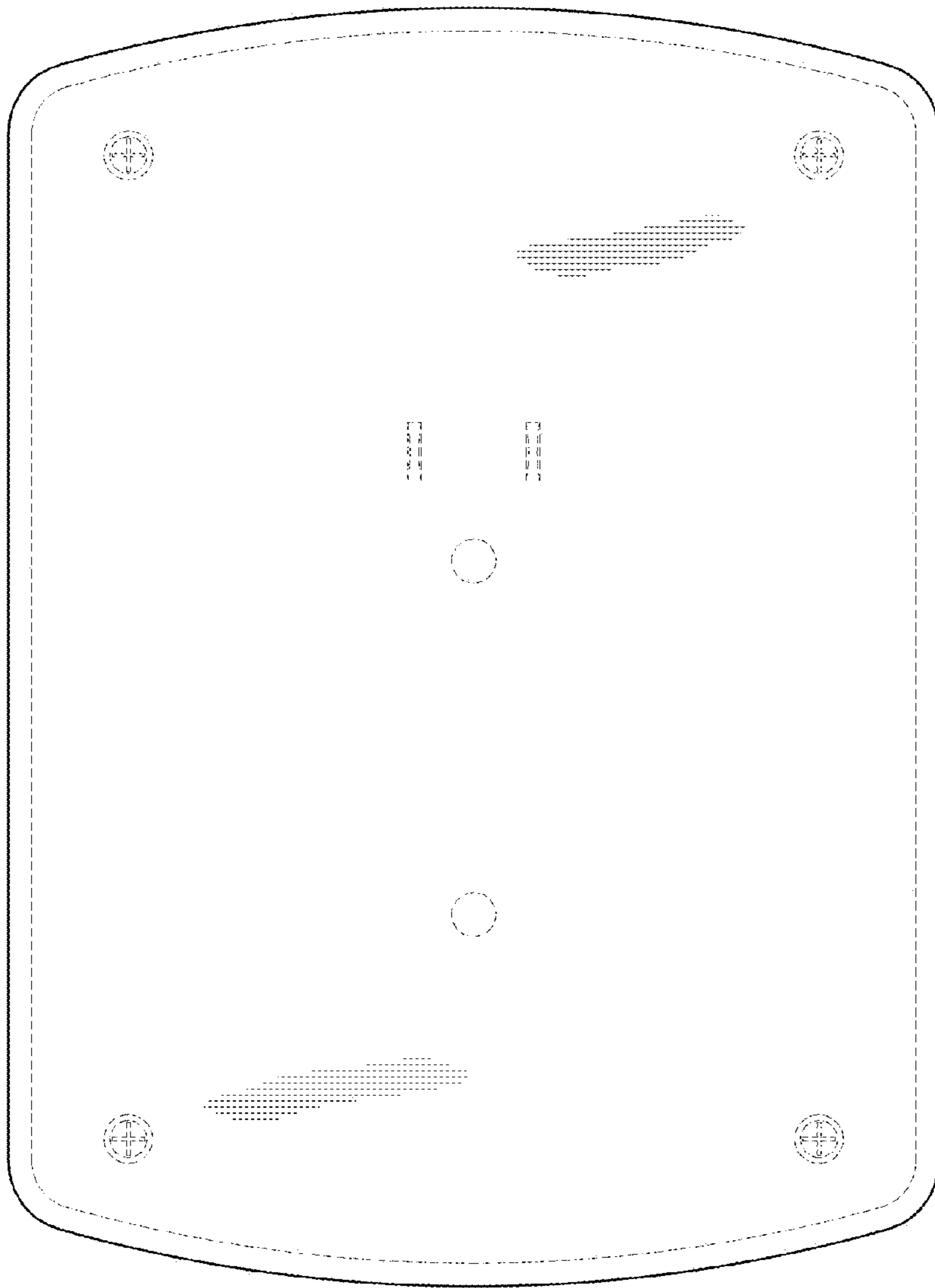


FIG. 7