



US00D682213S

(12) **United States Design Patent**
Byrne et al.

(10) **Patent No.:** **US D682,213 S**
(45) **Date of Patent:** **** May 14, 2013**

(54) **PIVOTING POWER AND DATA CENTER**

(76) Inventors: **Norman R. Byrne**, Ada, MI (US);
Patrick E. Young, Rockford, MI (US);
Randell E. Pate, Jenison, MI (US);
Christa R. Anderson, Walker, MA (US)

(**) Term: **14 Years**

(21) Appl. No.: **29/424,162**

(22) Filed: **Jun. 8, 2012**

(51) **LOC (9) Cl.** **13-03**

(52) **U.S. Cl.**
USPC **D13/139.4**

(58) **Field of Classification Search** D13/107,
D13/109, 110, 112, 114, 130, 132, 137, 137.1,
D13/137.2, 137.3, 137.4, 138.1, 139.1, 139.2,
D13/139.4, 139.5, 139.7, 139.8, 146, 147,
D13/152, 160, 161, 164, 199
See application file for complete search history.

(56) **References Cited**

U.S. PATENT DOCUMENTS

D353,363 S 12/1994 Toby
6,028,267 A 2/2000 Byrne

(Continued)

FOREIGN PATENT DOCUMENTS

WO 2011156814 A1 12/2011

OTHER PUBLICATIONS

http://www.d-4.co.za/pivot_range_in_desk_electrical_outlet.html searched RMS Dec. 20, 2012.*

(Continued)

Primary Examiner — Robert M Spear

Assistant Examiner — Rhea Shields

(74) *Attorney, Agent, or Firm* — Gardner, Linn, Burkhardt & Flory, LLP

(57) **CLAIM**

The ornamental design for a pivoting power and data center, as shown and described.

DESCRIPTION

FIG. 1 is a perspective view of the pivoting power and data center showing our new design with both power and data carriages raised and facing opposite directions, taken from above and to the left side;

FIG. 2 is another perspective view of the pivoting power and data center of FIG. 1, taken from above and to the right side;

FIG. 3 is a left side elevation of the pivoting power and data center of FIG. 1;

FIG. 4 is a right side elevation of the pivoting power and data center of FIG. 1;

FIG. 5 is a front end elevation of the pivoting power and data center of FIG. 1;

FIG. 6 is a rear end elevation of the pivoting power and data center of FIG. 1;

FIG. 7 is a top plan view of the pivoting power and data center of FIG. 1;

FIG. 8 is a bottom plan view of the pivoting power and data center of FIG. 1;

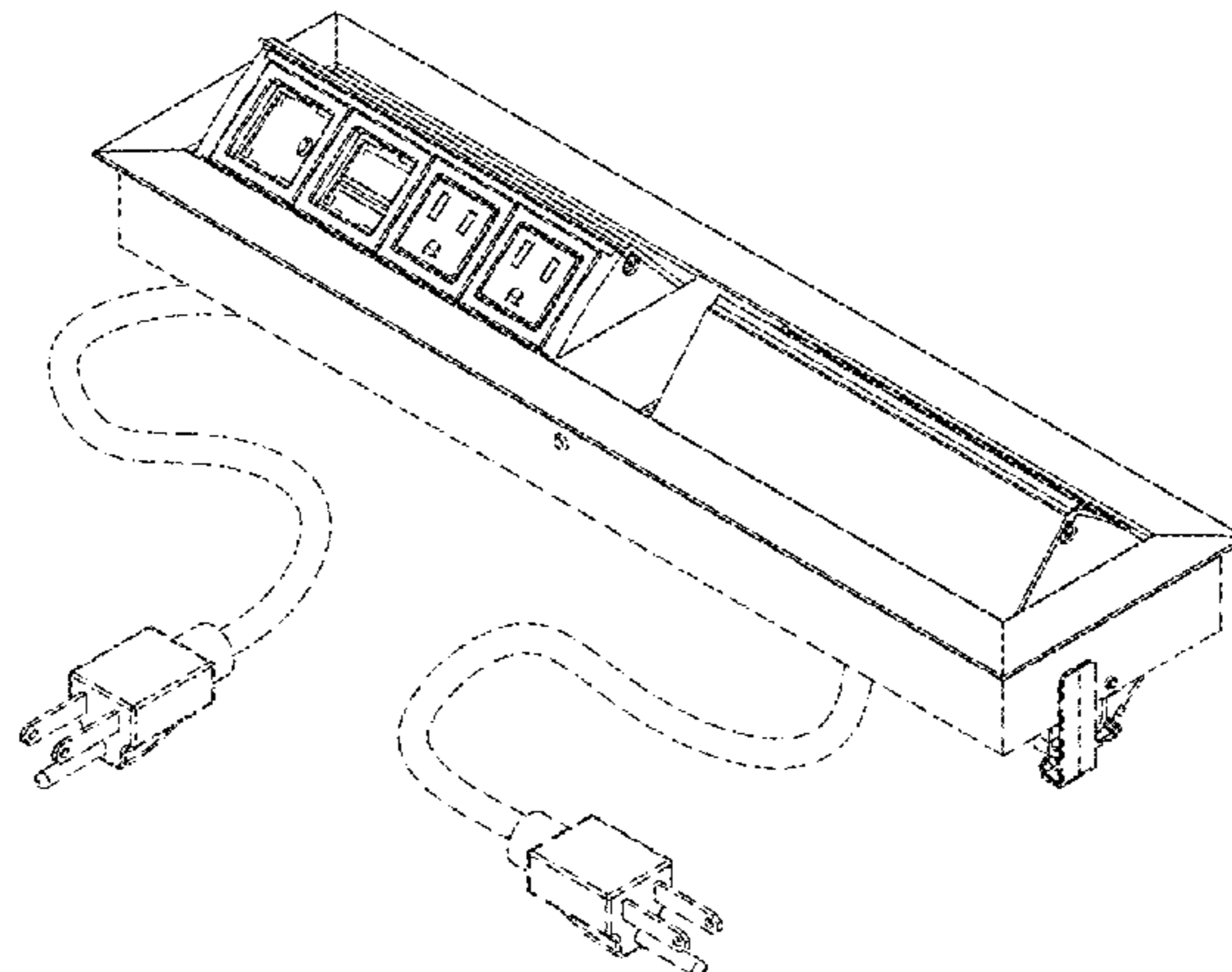
FIG. 9 is another perspective view of the pivoting power and data center of FIG. 1, shown with both power and data carriages lowered, taken from above and to the left side;

FIG. 10 is another perspective view of the pivoting power and data center of FIG. 1, shown with one power and data carriage raised and the other power and data carriage lowered, taken from above and to the left side;

FIG. 11 is a perspective view of another pivoting power and data center showing our new design with both power and data carriages raised and facing the same direction, taken from above and to the left side; and,

FIG. 12 is a perspective view of another pivoting power and data center of FIG. 11, taken from above and to the right side. The broken lines are included for the purpose of illustrating portions of the pivoting power and data center that form no part of the claimed design.

1 Claim, 5 Drawing Sheets



US D682,213 S

Page 2

U.S. PATENT DOCUMENTS

D454,541 S * 3/2002 Gershfeld D13/139.4
D455,123 S 4/2002 Gershfeld
D457,137 S 5/2002 Gershfeld
D463,775 S 10/2002 Byrne
D466,868 S 12/2002 Gershfeld
D467,230 S 12/2002 Byrne
D468,701 S 1/2003 Byrne
D472,213 S * 3/2003 Byrne D13/139.4
D498,211 S * 11/2004 Thibault D13/155
D526,961 S * 8/2006 Kissinger et al. D13/139.4
D535,257 S * 1/2007 Byrne D13/139.4
D537,039 S * 2/2007 Pincek D13/139.4
D537,785 S 3/2007 Pincek
7,407,392 B2 8/2008 Cooke et al.
D622,219 S 8/2010 Byrne
D626,069 S * 10/2010 Byrne D13/139.4
D626,070 S * 10/2010 Byrne D13/139.4
D639,244 S * 6/2011 Byrne D13/139.4

D649,514 S * 11/2011 Byrne D13/139.4
D660,237 S * 5/2012 Byrne D13/139.4
D665,355 S * 8/2012 Byrne D13/139.4
D666,556 S * 9/2012 Byrne D13/139.4
2008/0200050 A1 8/2008 Byrne
2009/0142947 A1 6/2009 Byrne
2010/0178797 A1 7/2010 Byrne
2010/0195288 A1 8/2010 Byrne
2010/0227498 A1 9/2010 Byrne
2011/0095724 A1 4/2011 Byrne
2011/0177714 A1 7/2011 Byrne

OTHER PUBLICATIONS

http://www.alibaba.com/product-gs/516126812/Network_and_AC_power_table_outlet.ht . . . searched RMS Dec. 20, 2012.*
Commonly owned U.S. Appl. No. 29/424,160, filed Jun. 8, 2012,
for Pivoting Power and Data Center.

* cited by examiner

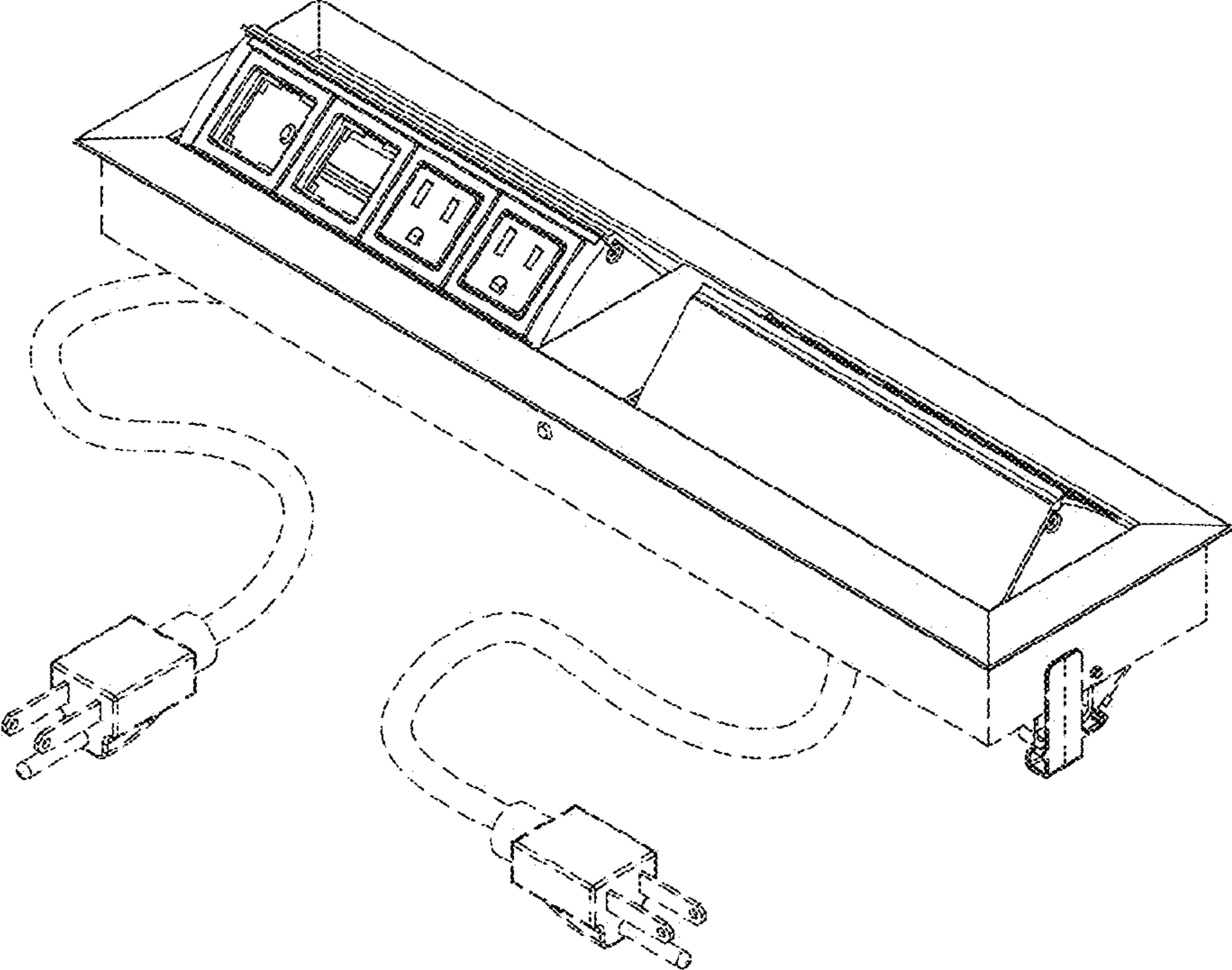


Fig. 1

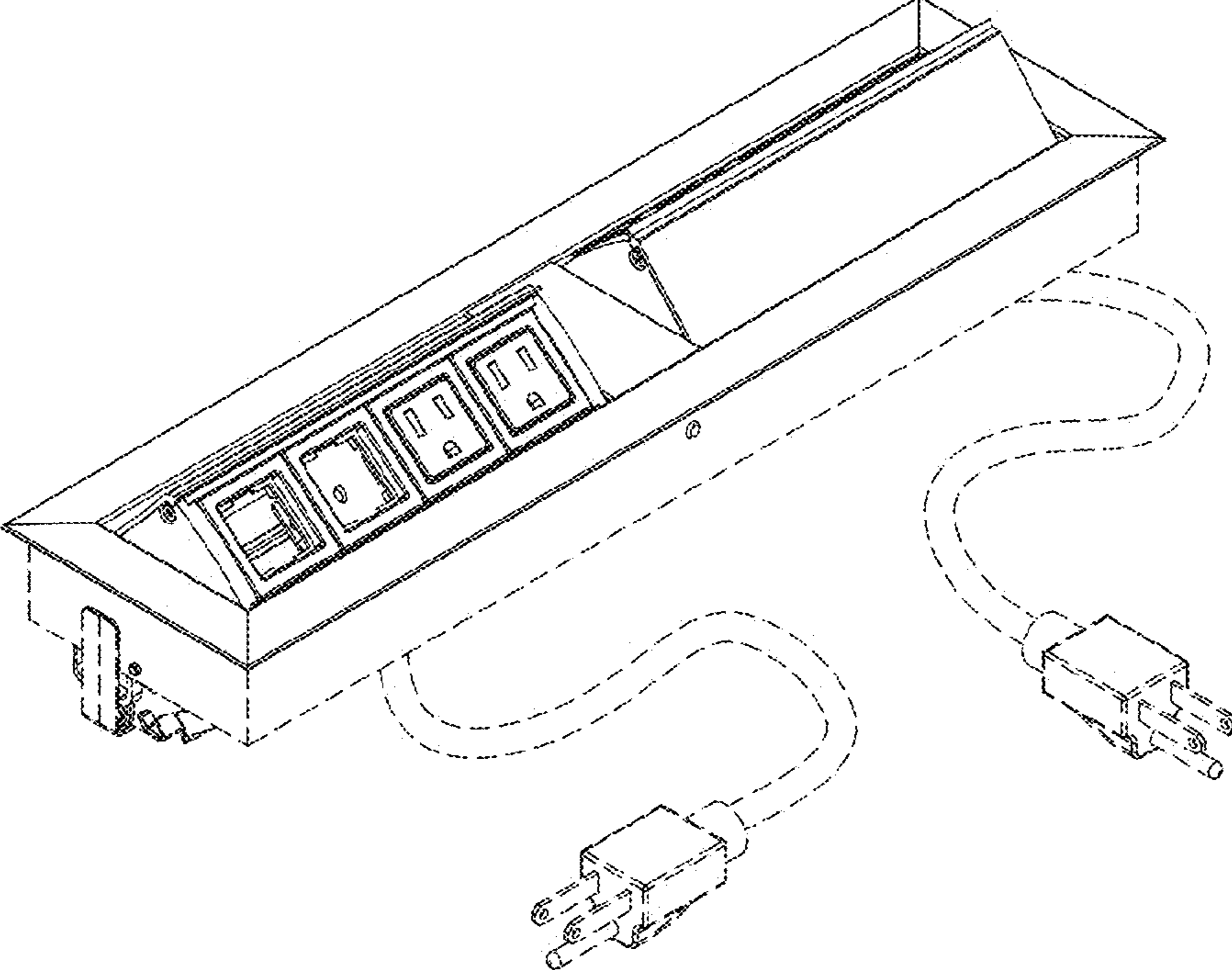


Fig. 2

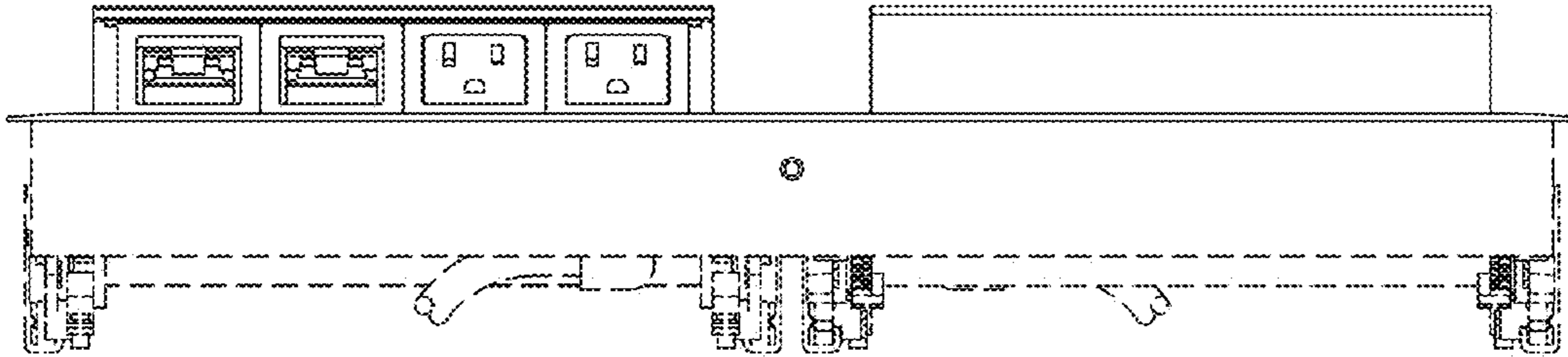


Fig. 3

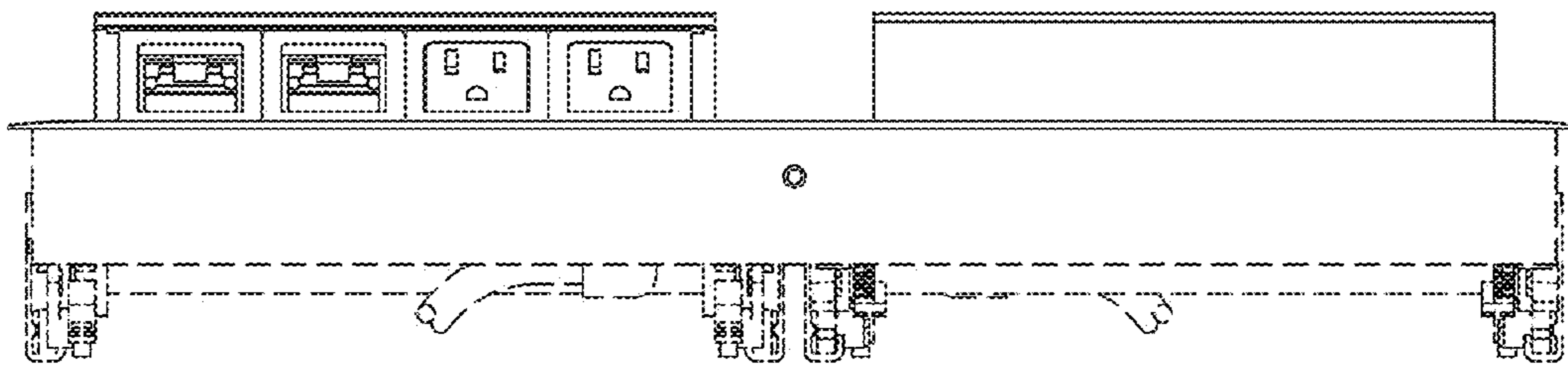


Fig. 4

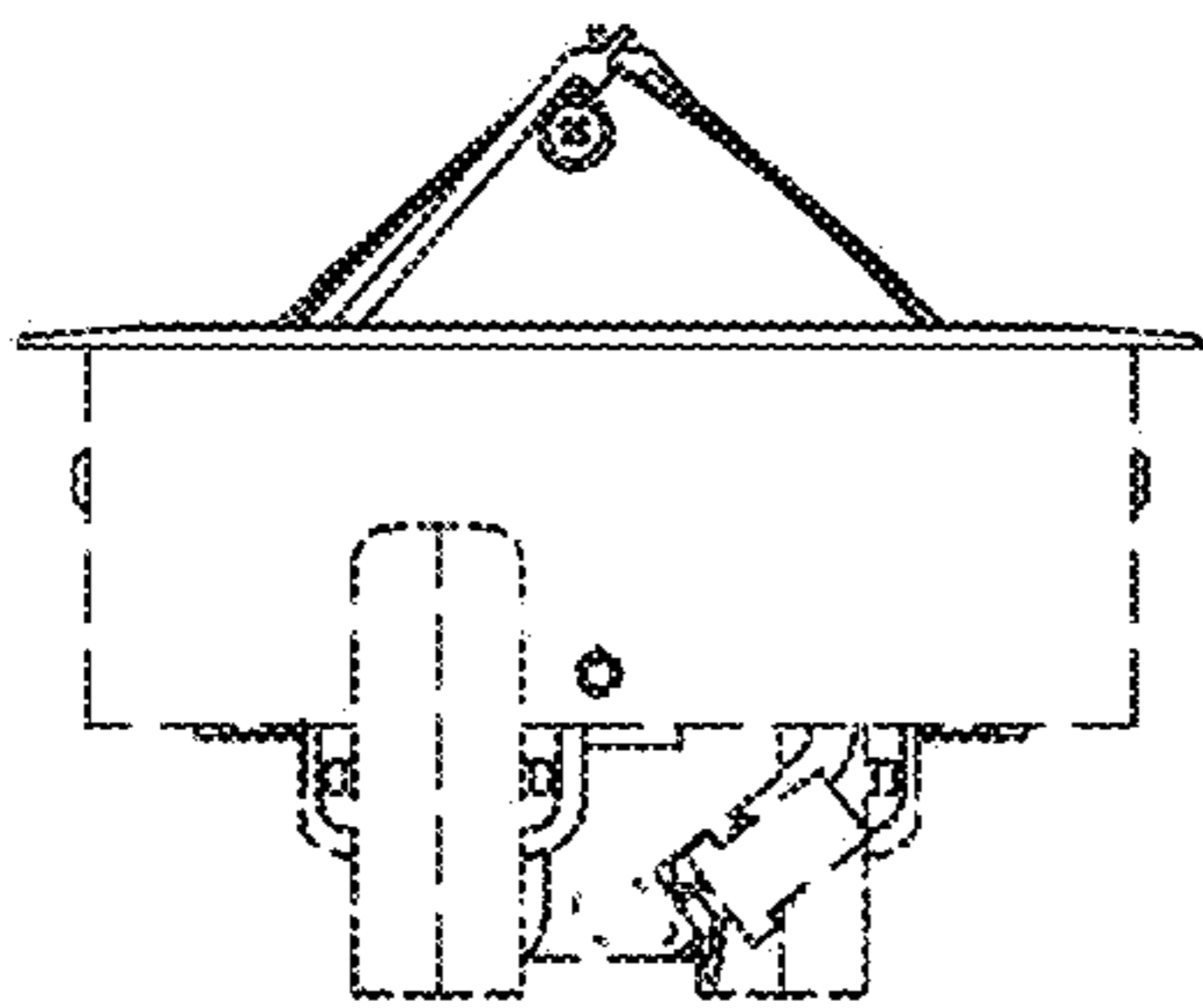


Fig. 5

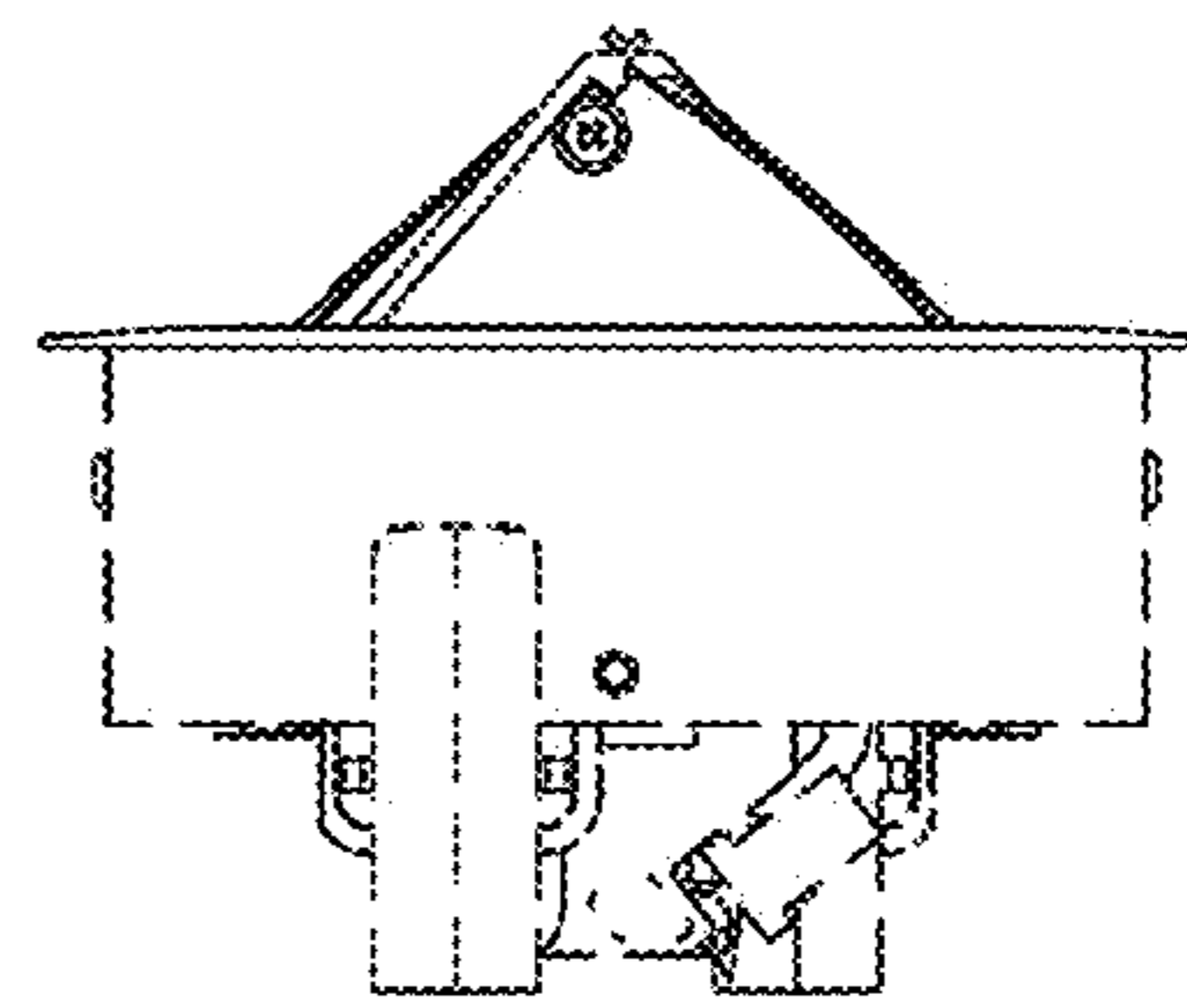


Fig. 6

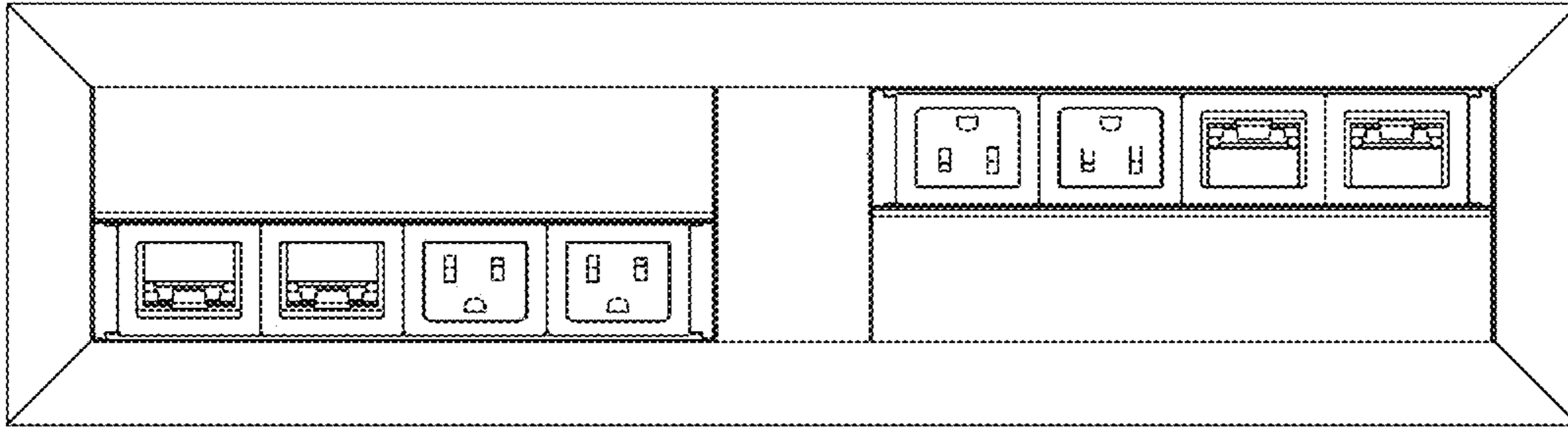


Fig. 7

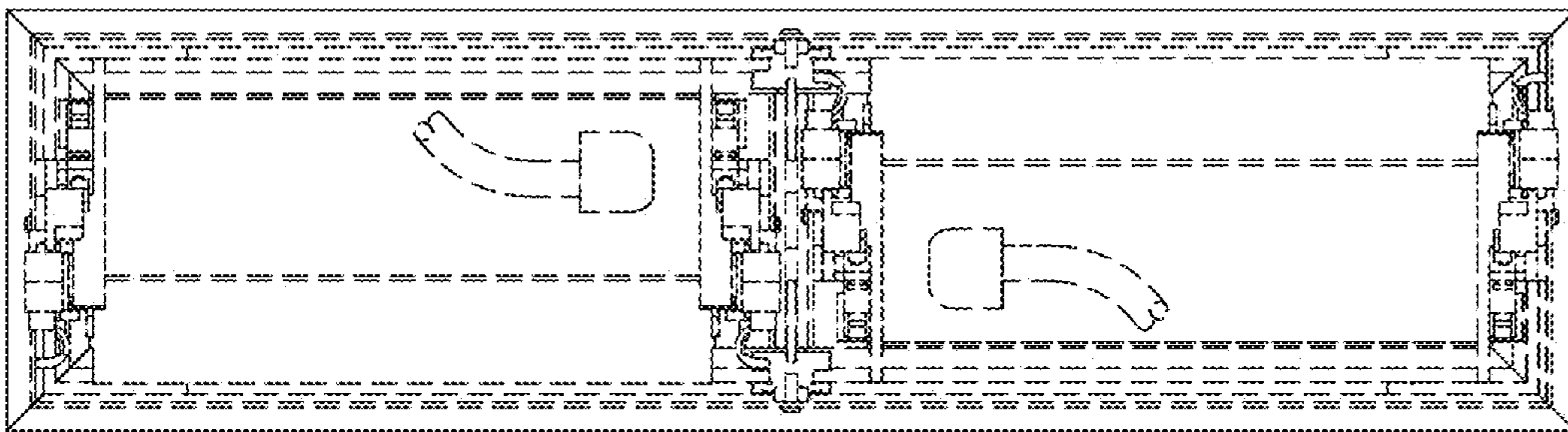


Fig. 8

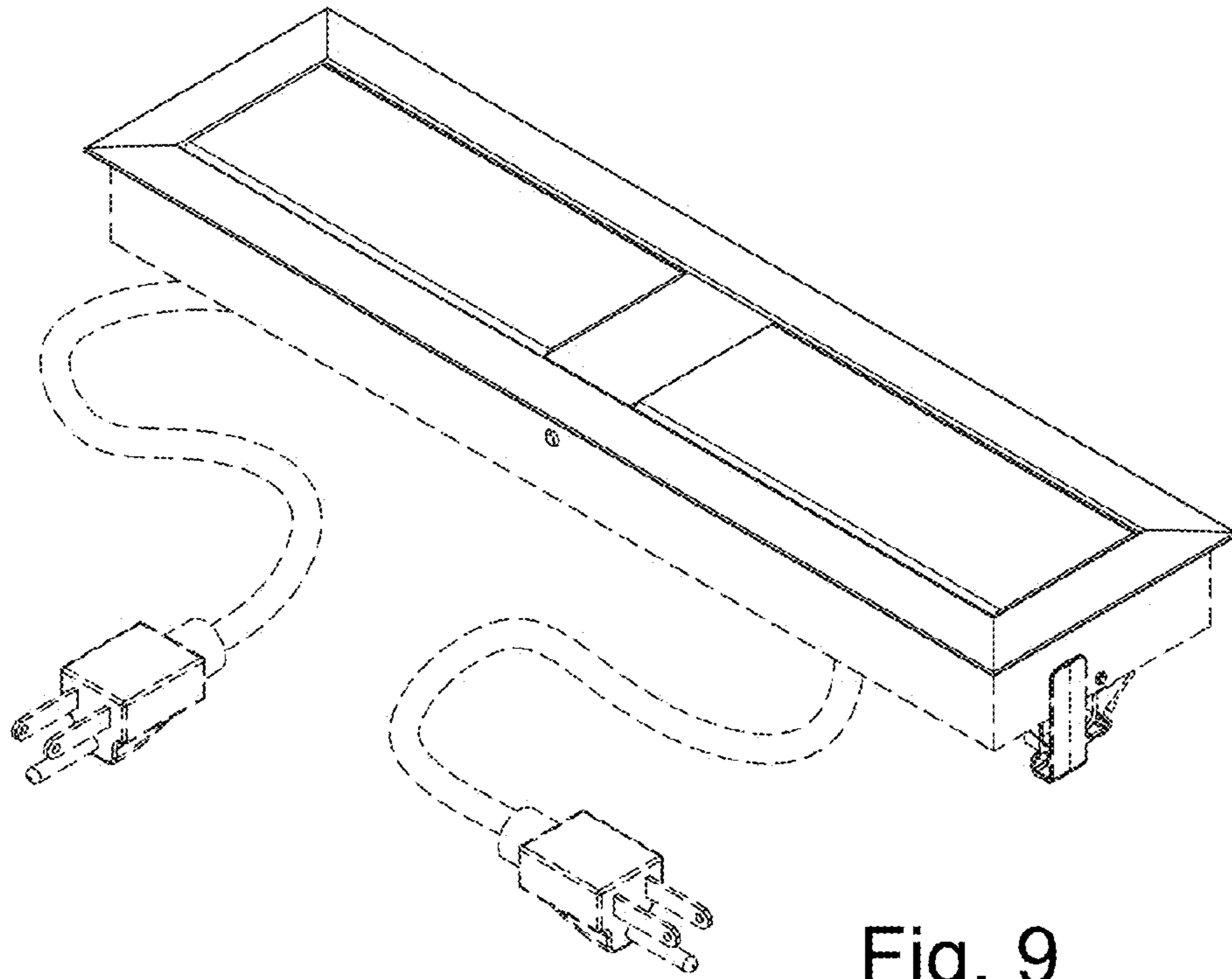


Fig. 9

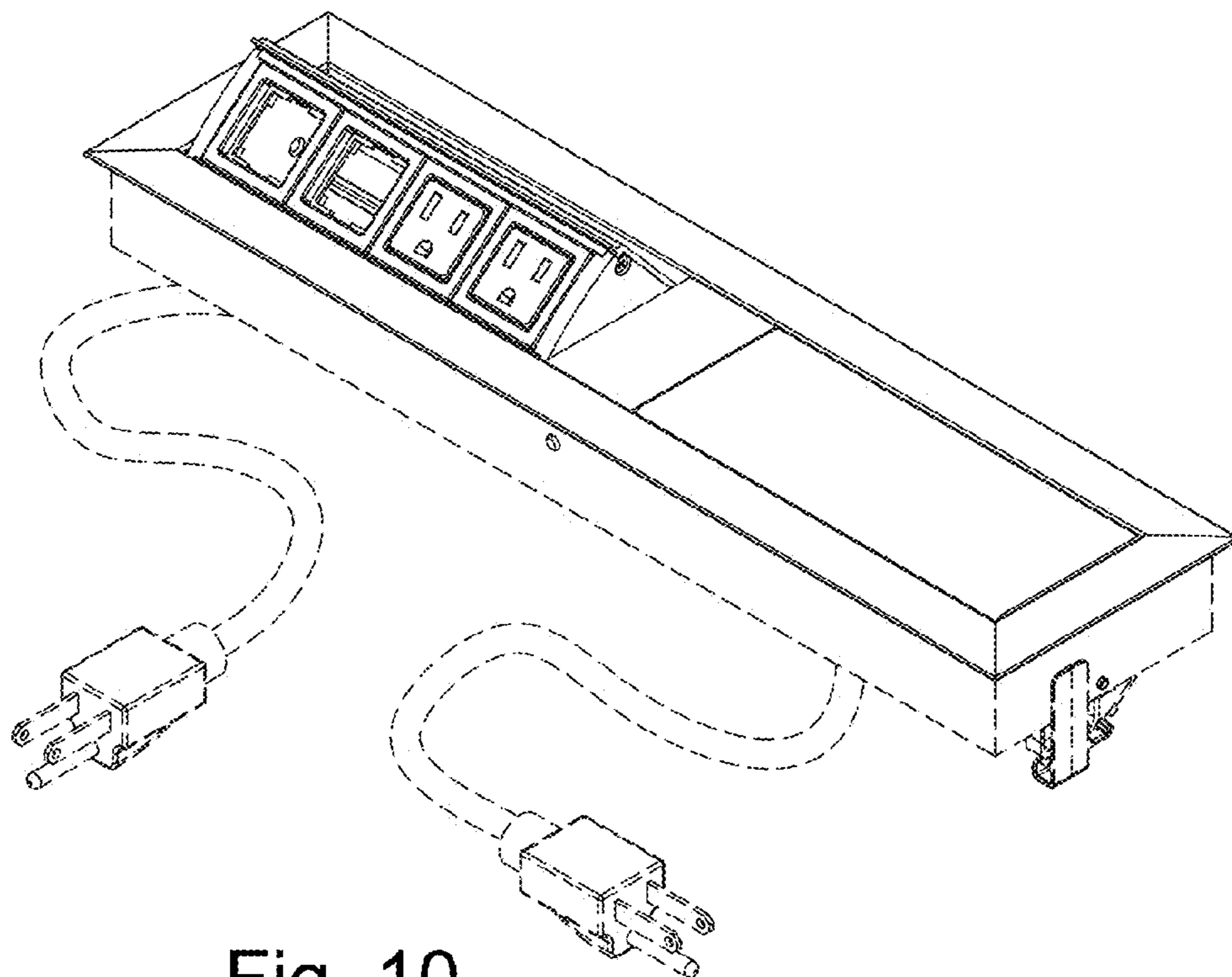


Fig. 10

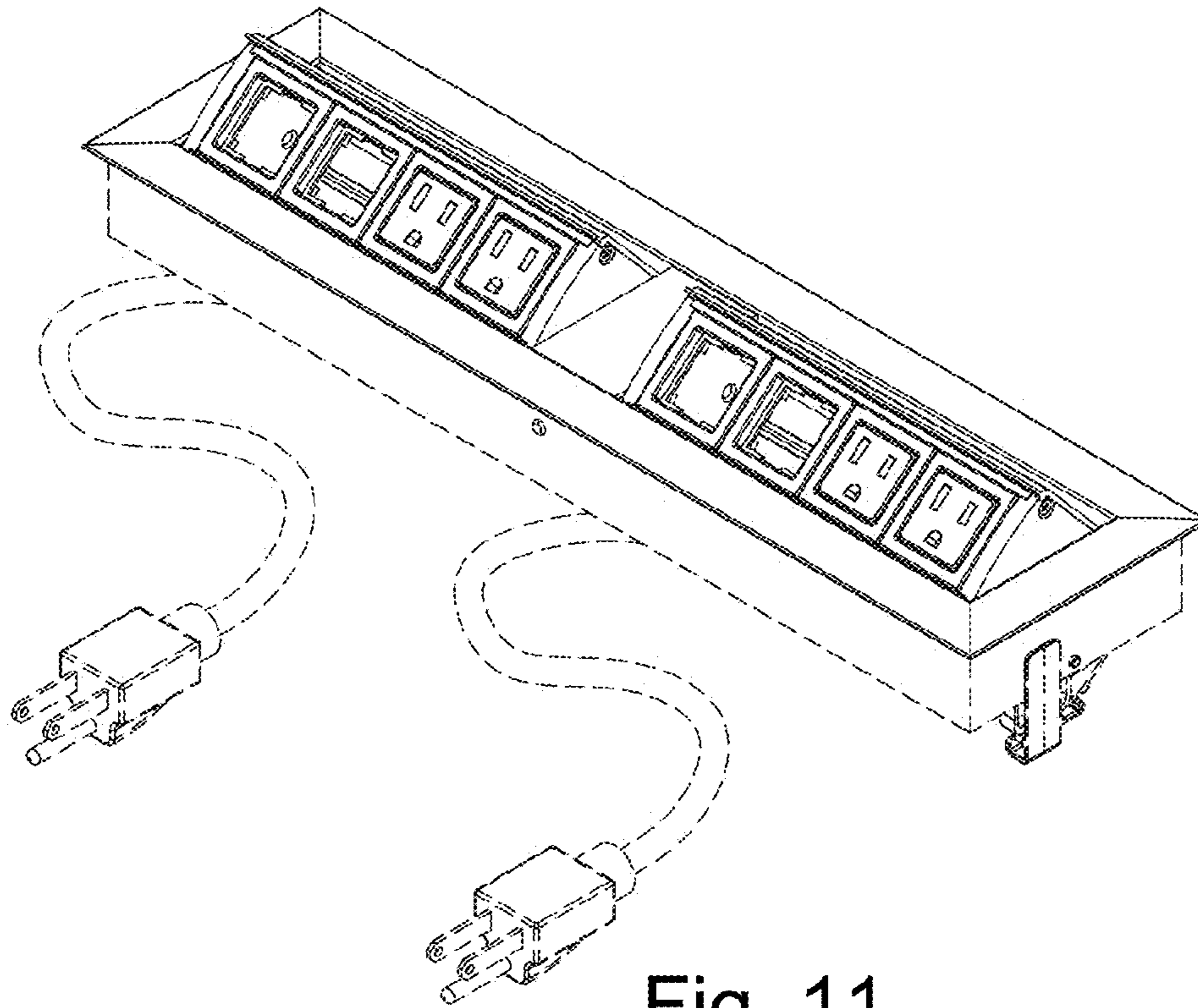


Fig. 11

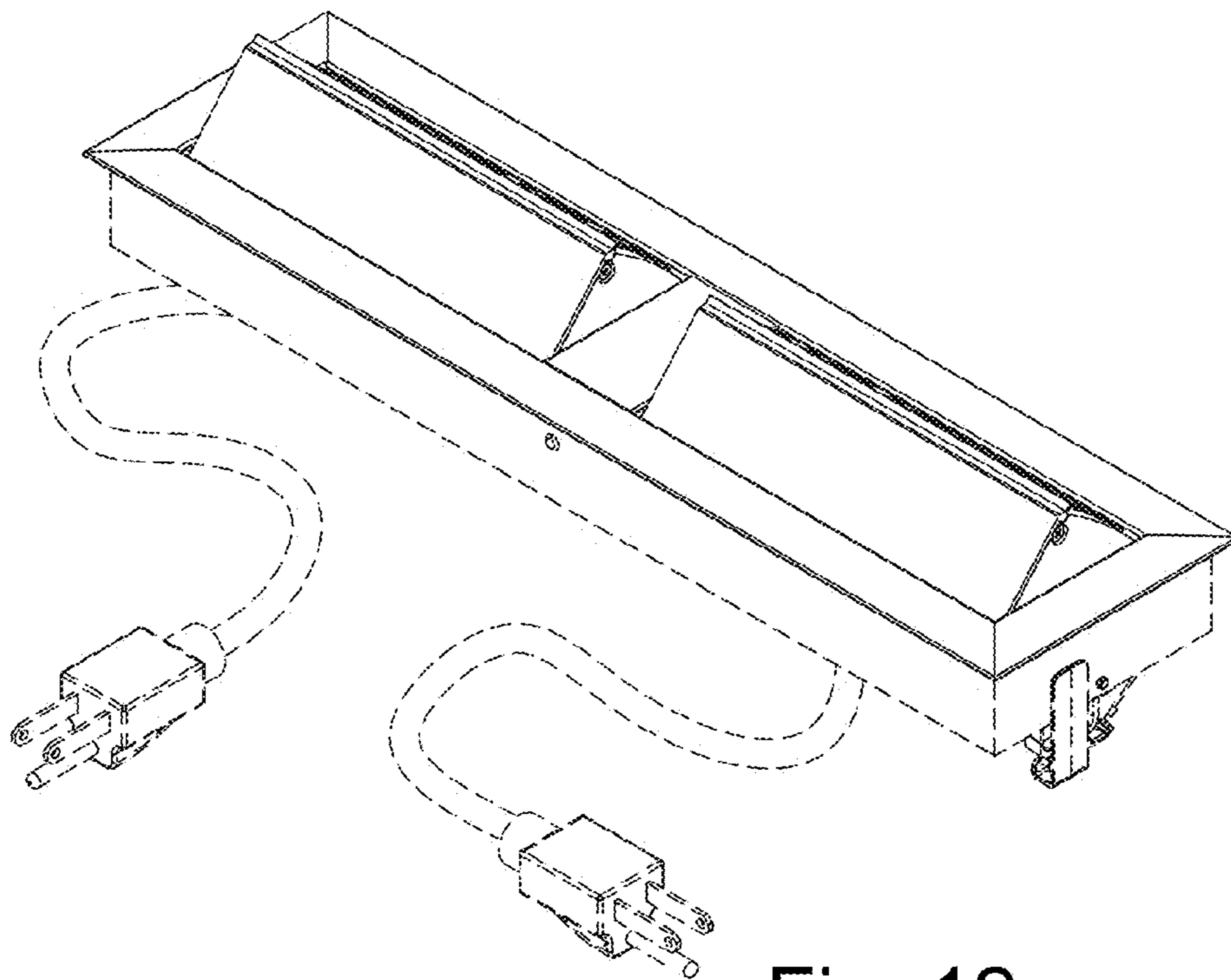


Fig. 12

UNITED STATES PATENT AND TRADEMARK OFFICE
CERTIFICATE OF CORRECTION

PATENT NO. : D682,213 S
APPLICATION NO. : 29/424162
DATED : May 14, 2013
INVENTOR(S) : Norman R. Byrne et al.

Page 1 of 1

It is certified that error appears in the above-identified patent and that said Letters Patent is hereby corrected as shown below:

Title Page

(76) Inventors: "Christa R. Anderson, Walker, MA (US)" should be --Christa R. Anderson, Walker MI (US)--.

Signed and Sealed this
Twenty-fifth Day of March, 2014



Michelle K. Lee
Deputy Director of the United States Patent and Trademark Office