



US00D682212S

(12) **United States Design Patent**
Udagawa et al.

(10) **Patent No.:** **US D682,212 S**

(45) **Date of Patent:** **** May 14, 2013**

(54) **POWER DISTRIBUTION CENTER**
(75) Inventors: **Masamichi Udagawa**, New York, NY
(US); **Sigrid Moeslinger**, New York, NY
(US)

D381,315 S * 7/1997 Harold D13/139.4
D514,518 S * 2/2006 Strayer D13/139.4
D534,495 S * 1/2007 Gershfeld D13/139.4
D640,633 S * 6/2011 Akahori D13/139.4
D647,853 S * 11/2011 Kan D13/139.4

* cited by examiner

(73) Assignee: **Knoll, Inc.**, East Greenville, PA (US)

Primary Examiner — Robert M Spear

(**) Term: **14 Years**

Assistant Examiner — Rhea Shields

(21) Appl. No.: **29/423,944**

(74) *Attorney, Agent, or Firm* — Buchanan Ingersoll & Rooney PC

(22) Filed: **Jun. 6, 2012**

(57) **CLAIM**

(51) **LOC (9) Cl.** **13-03**

The ornamental design for a power distribution center, as shown and described.

(52) **U.S. Cl.**

USPC **D13/139.4**

(58) **Field of Classification Search** D13/107,
D13/109, 110, 112, 114, 130, 132, 137, 137.1,
D13/137.2, 137.3, 137.4, 138.1, 139.2, 139.4,
D13/139.5, 139.7, 139.8, 146, 147, 152, 160,
D13/161, 164, 199, 162; D14/304; D6/300;
D25/16

DESCRIPTION

See application file for complete search history.

FIG. 1 is a perspective view of a power distribution center showing our new design;
FIG. 2 is a front elevational view thereof;
FIG. 3 is a rear elevational view thereof;
FIG. 4 is a right side elevational view thereof;
FIG. 5 is a left side elevational view thereof; and,
FIG. 6 is a top plan view thereof.

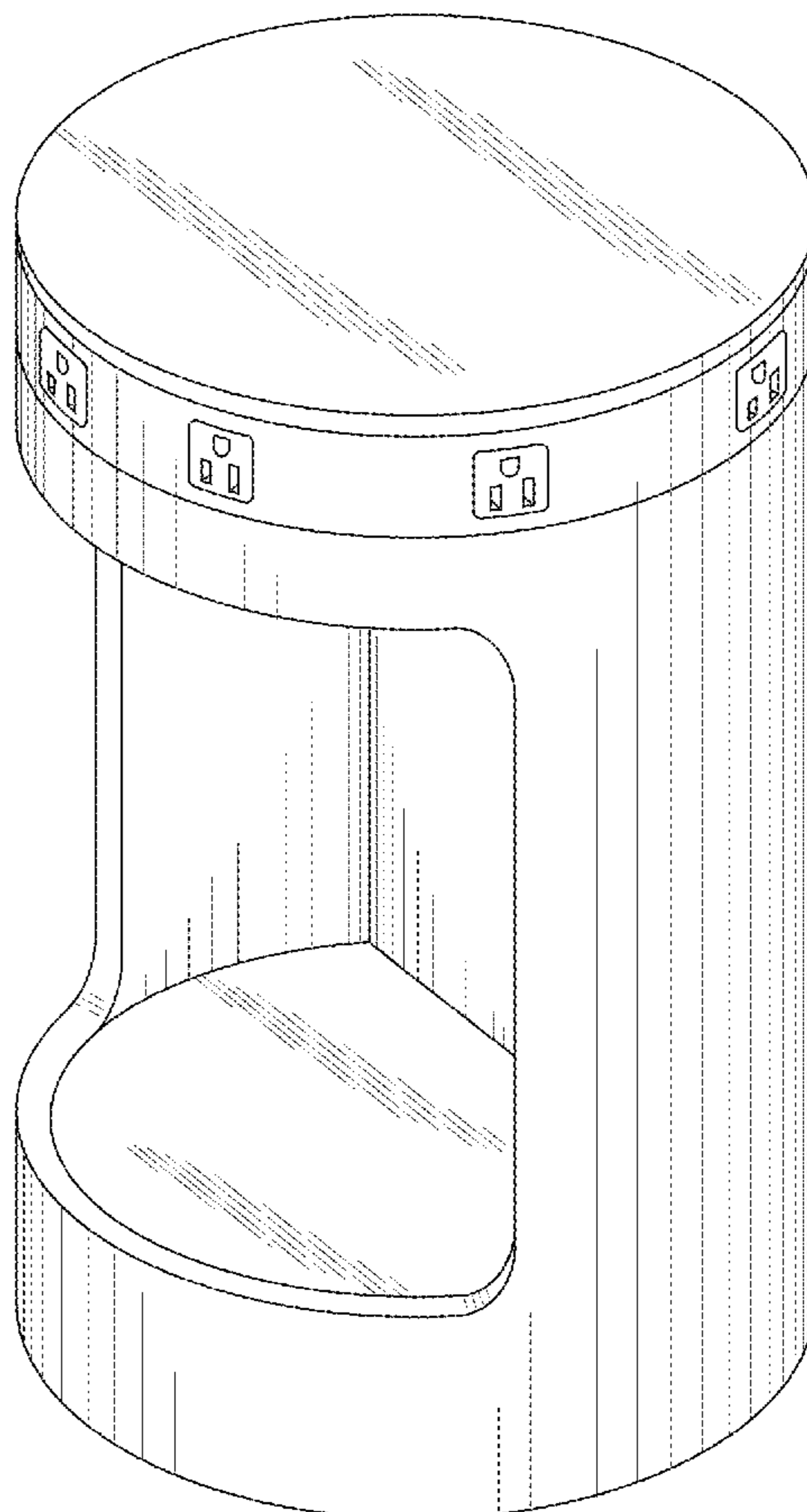
The bottom of the power distribution center is not a part of the claimed design.

(56) **References Cited**

U.S. PATENT DOCUMENTS

D311,956 S * 11/1990 Barnes D25/16
D325,723 S * 4/1992 Gary et al. D13/139.4

1 Claim, 4 Drawing Sheets



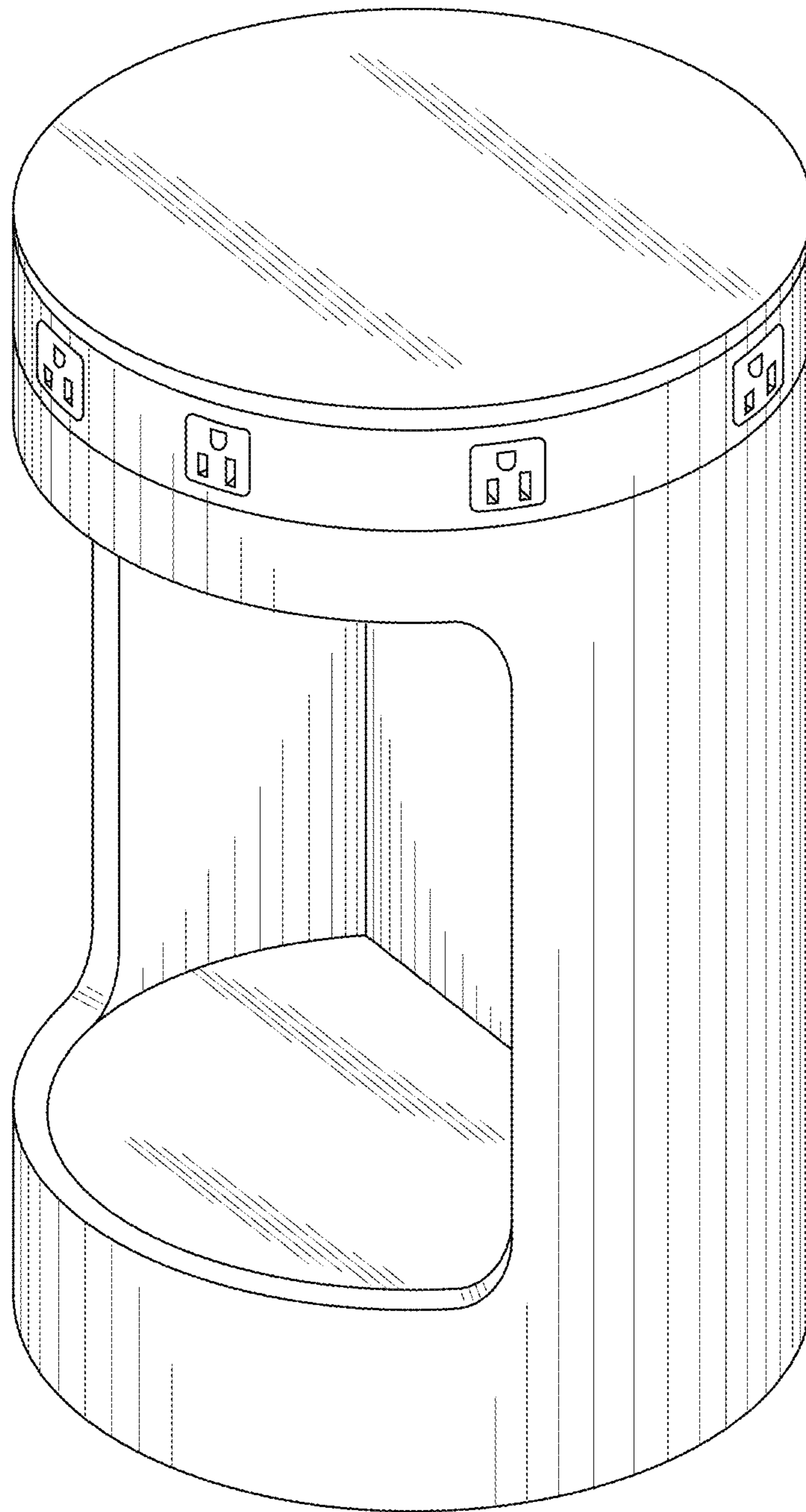


FIG. 1

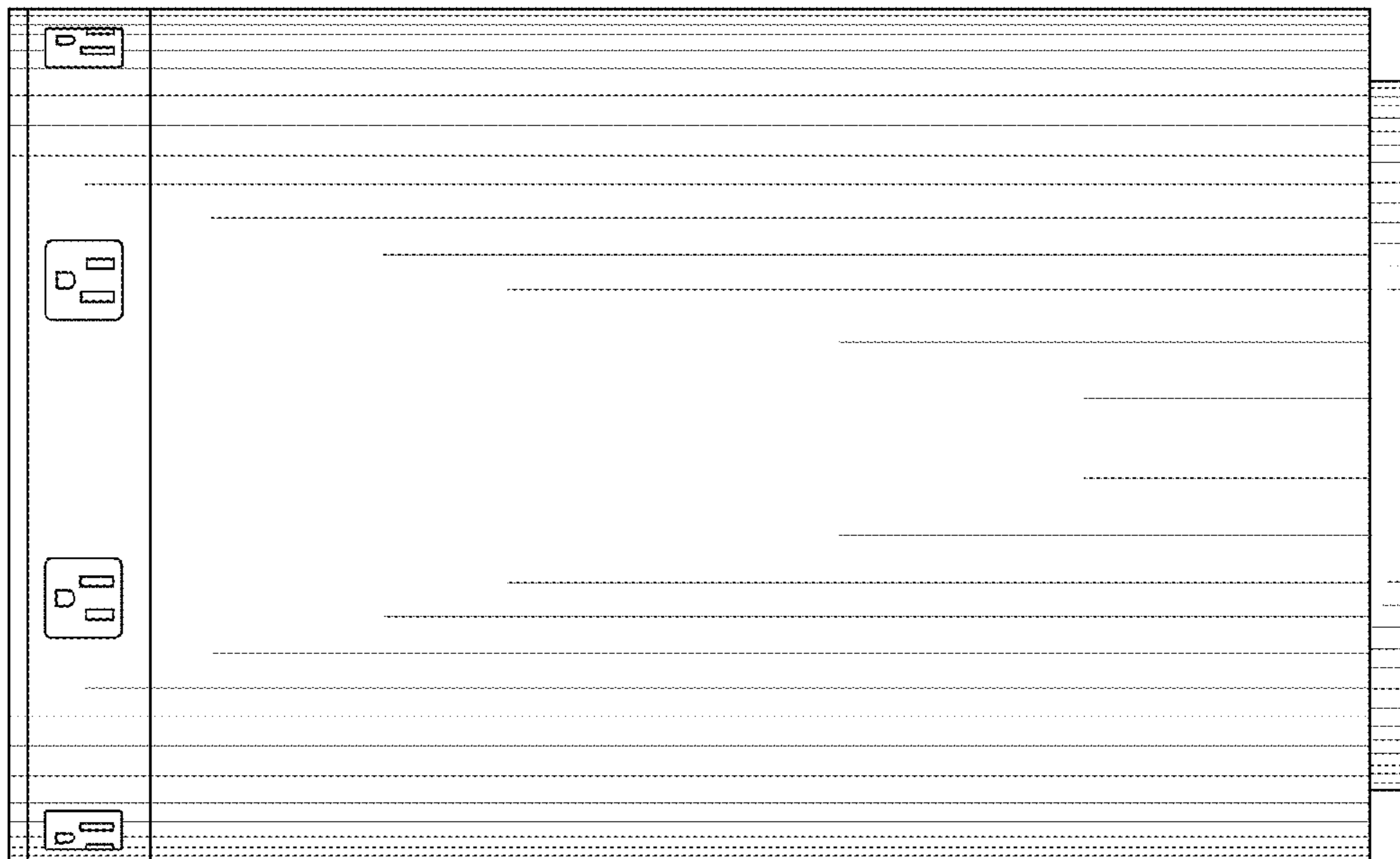


FIG. 3

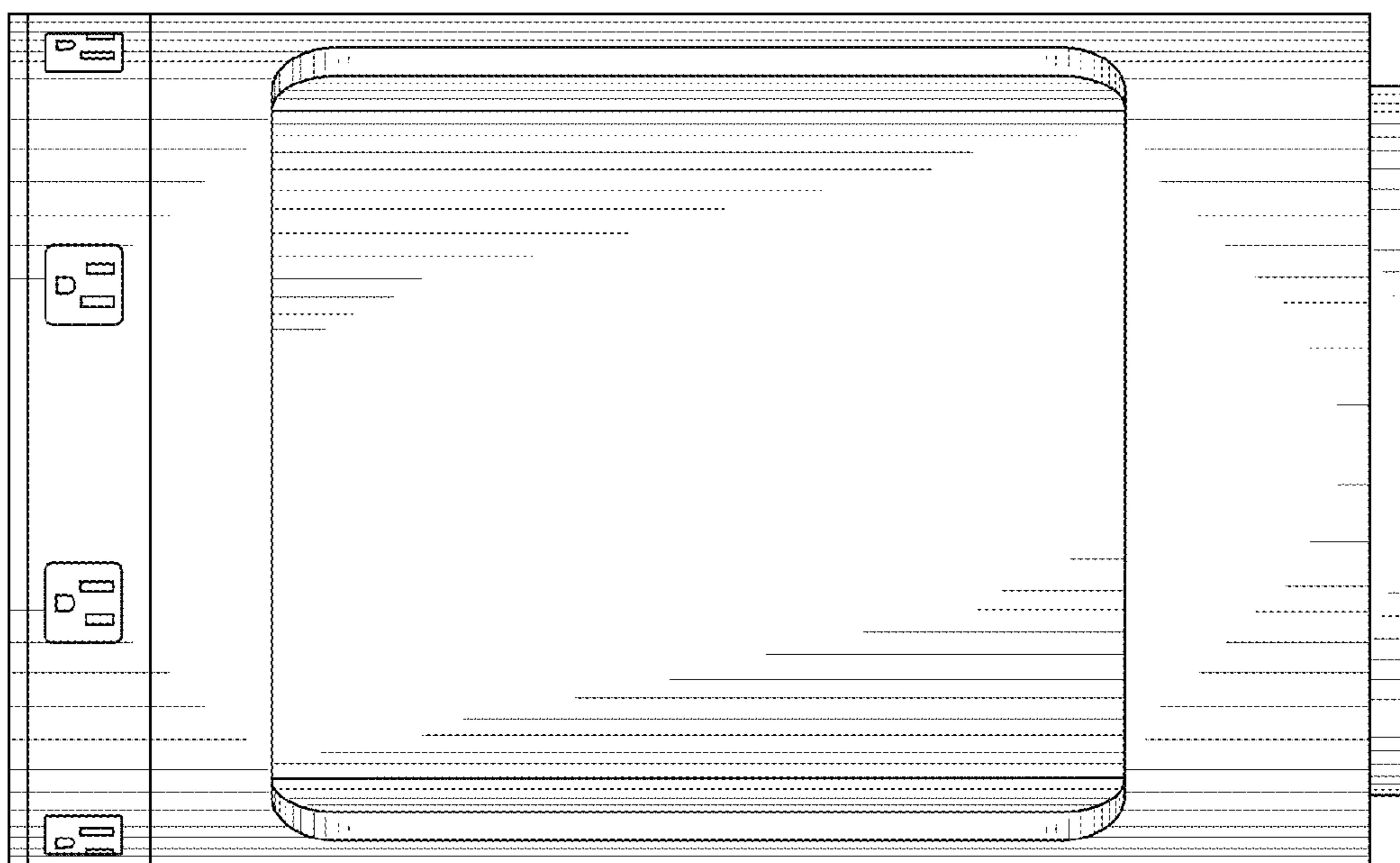


FIG. 2

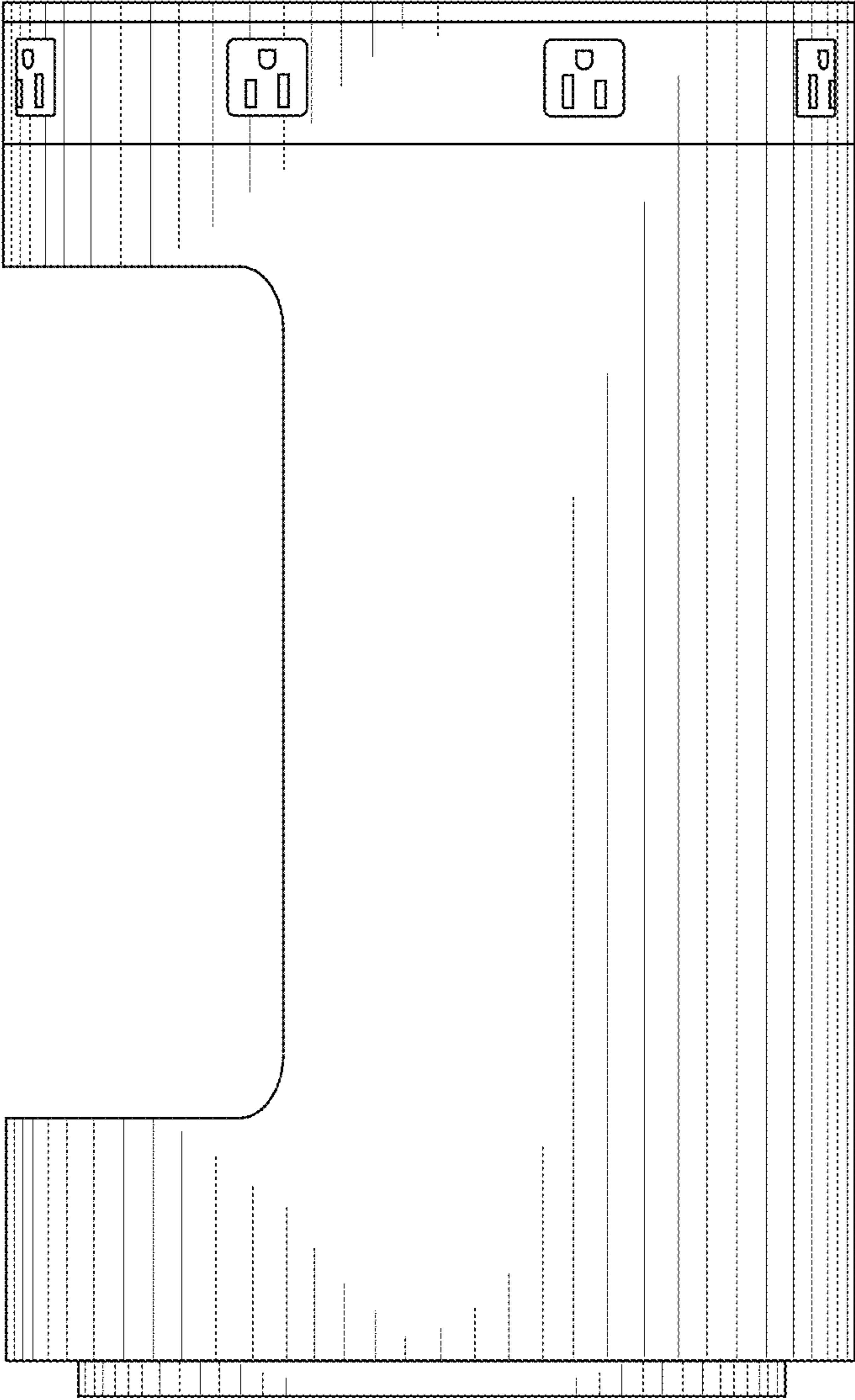


FIG. 4

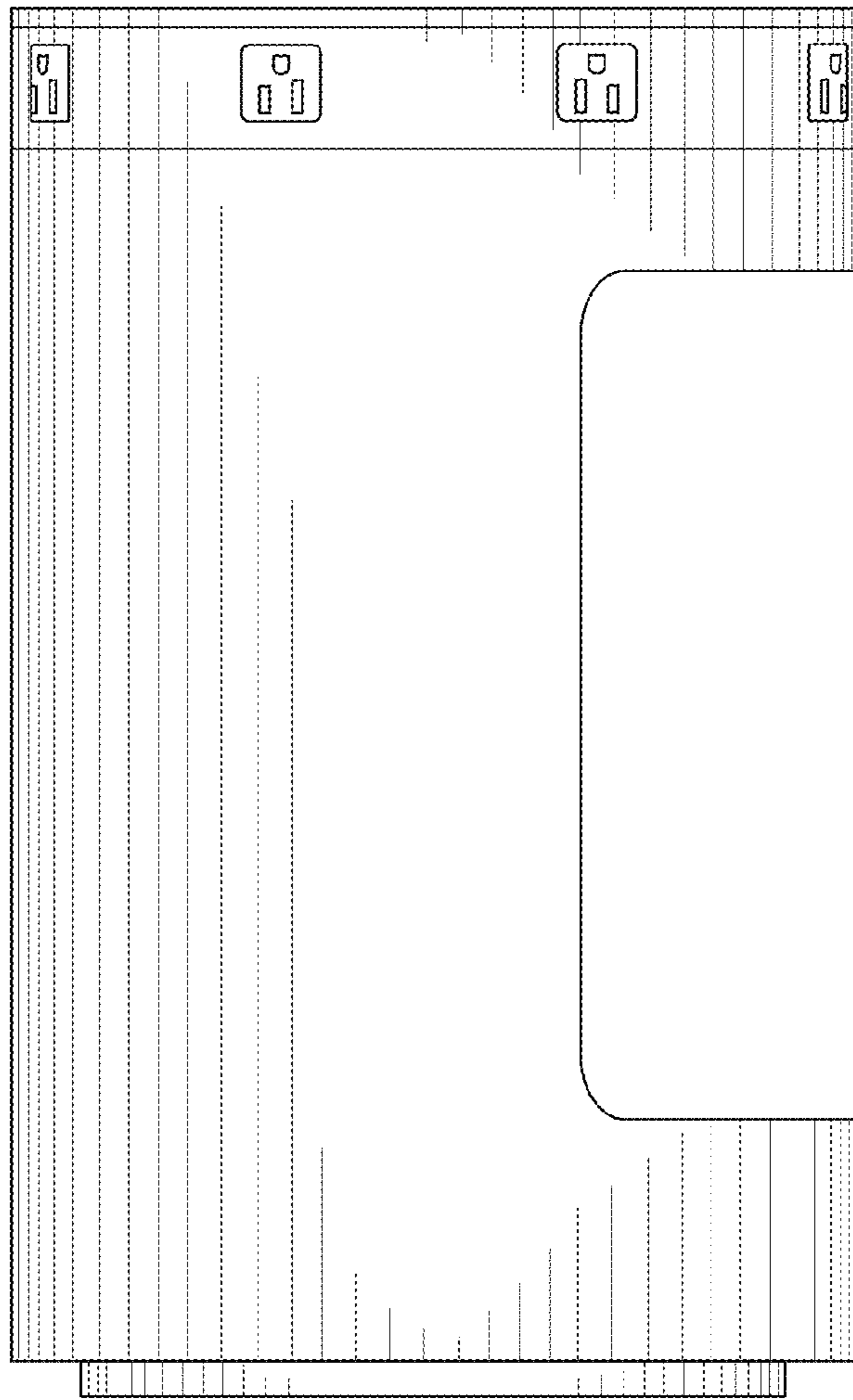


FIG. 5

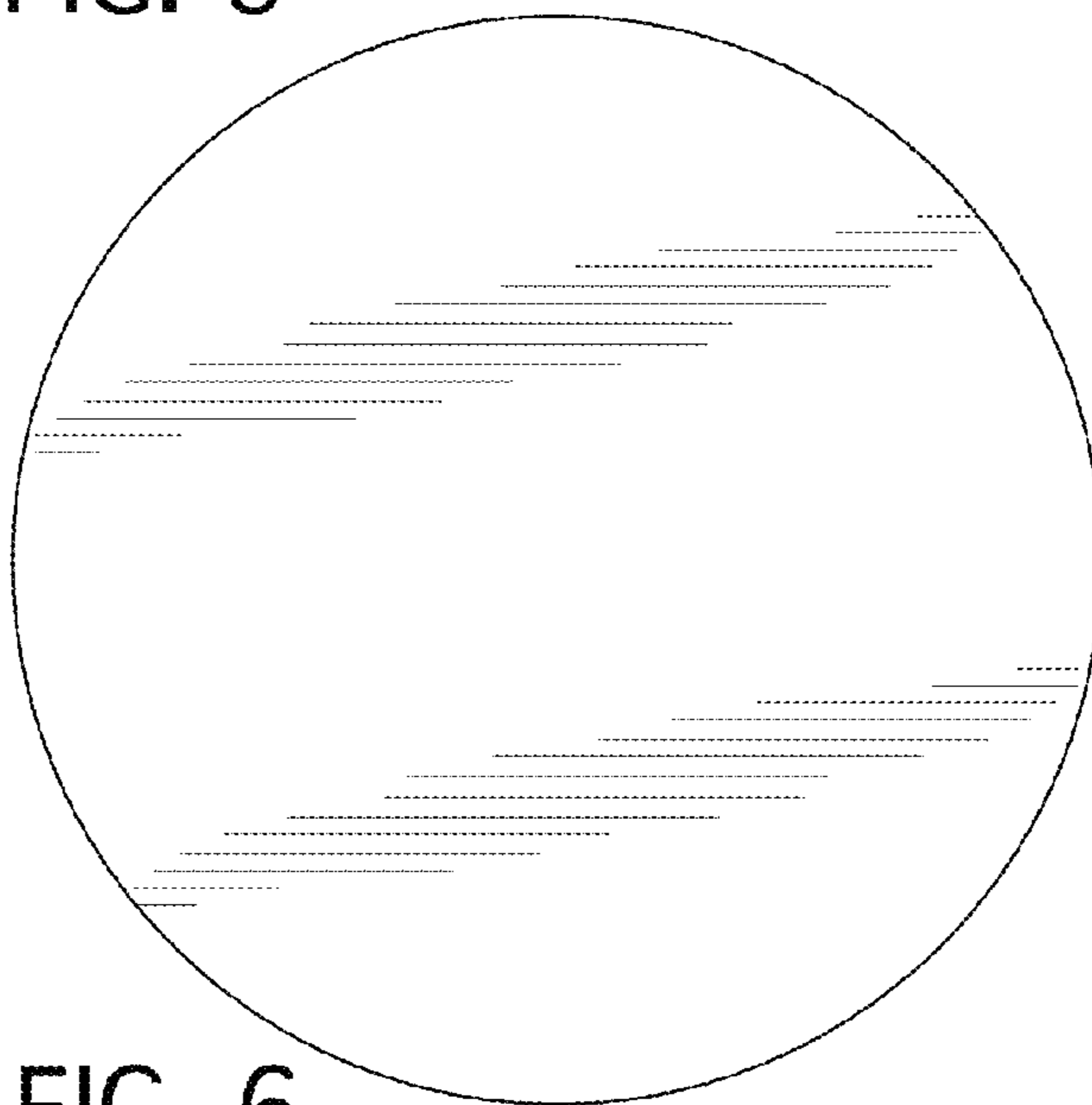


FIG. 6