



US00D682210S

(12) **United States Design Patent**  
**Yang et al.**

(10) **Patent No.:** **US D682,210 S**

(45) **Date of Patent:** **\*\* May 14, 2013**

(54) **OPTICAL FIBER ADAPTOR**

(75) Inventors: **Guo Yang**, Guangdong (CN); **Qiyue Wang**, Guangdong (CN)

(73) Assignee: **Sunsea Telecommunications Co., Ltd.**, Guangdong (CN)

(\*\*) Term: **14 Years**

(21) Appl. No.: **29/413,679**

(22) Filed: **Feb. 17, 2012**

(30) **Foreign Application Priority Data**

Dec. 26, 2011 (CN) ..... 2011 3 0499478

(51) **LOC (9) Cl.** ..... **13-03**

(52) **U.S. Cl.**  
USPC ..... **D13/133**

(58) **Field of Classification Search** ..... D13/133,  
D13/147, 154, 184, 199; 439/345, 350, 352-354,  
439/357-358, 374, 476.1, 595, 660, 680,  
439/682, 752

See application file for complete search history.

(56) **References Cited**

**U.S. PATENT DOCUMENTS**

D241,942 S \* 10/1976 Sheesley et al. .... D13/147  
4,959,023 A \* 9/1990 Watanabe et al. .... 439/595  
D310,993 S \* 10/1990 Ohkura et al. .... D13/146  
4,986,766 A \* 1/1991 Leonard et al. .... 439/352  
D317,148 S \* 5/1991 Kozono et al. .... D13/146

D320,975 S \* 10/1991 Kawashima et al. .... D13/147  
D479,199 S \* 9/2003 Jones et al. .... D13/147  
D531,960 S \* 11/2006 Kondas ..... D13/147  
D580,370 S \* 11/2008 Ramsey ..... D13/154  
D655,677 S \* 3/2012 Gouhl et al. .... D13/146

\* cited by examiner

*Primary Examiner* — Daniel Bui

(74) *Attorney, Agent, or Firm* — Panitch Schwarze Belisario & Nadel LLP

(57) **CLAIM**

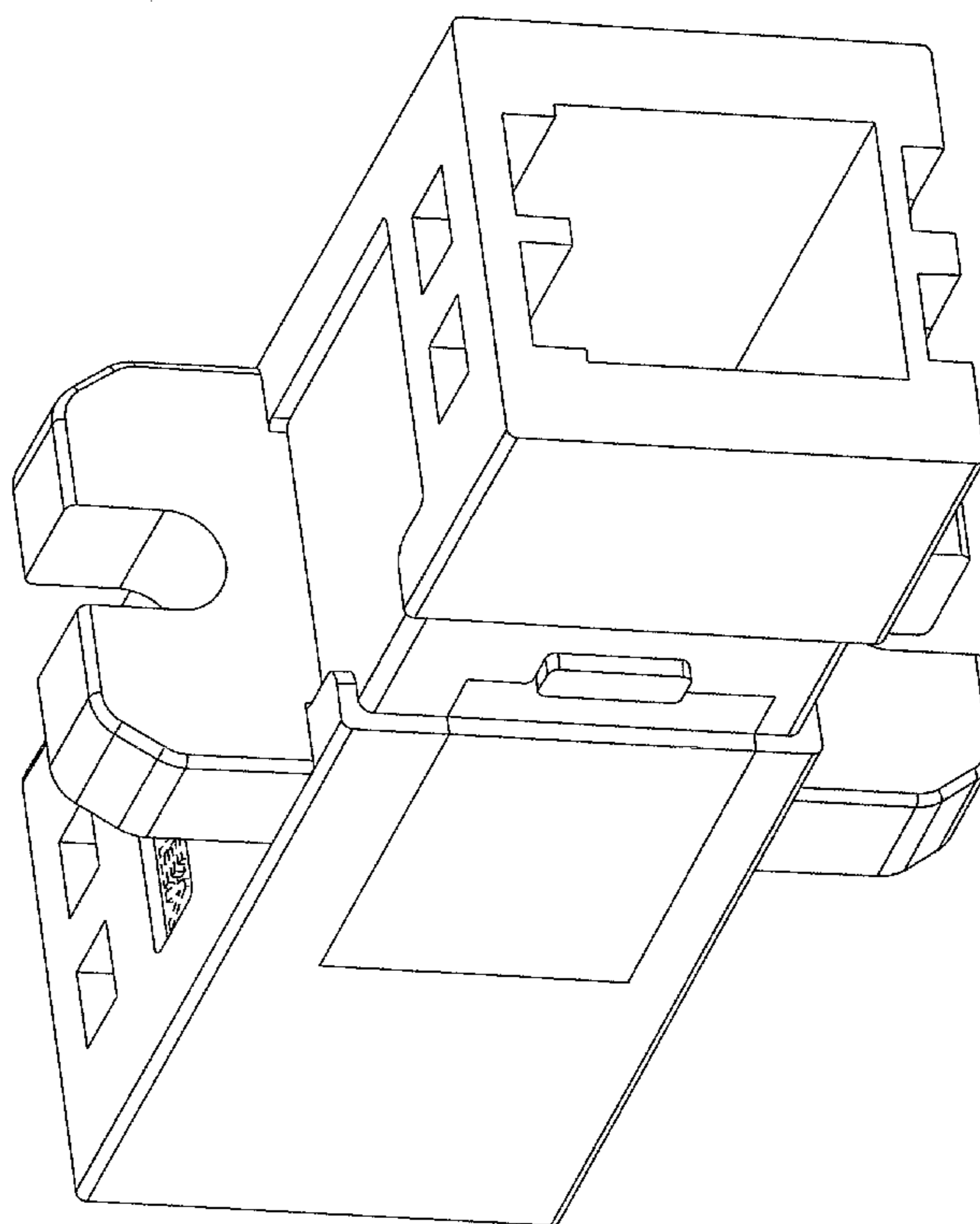
The ornamental design for an optical fiber adaptor, as shown and described.

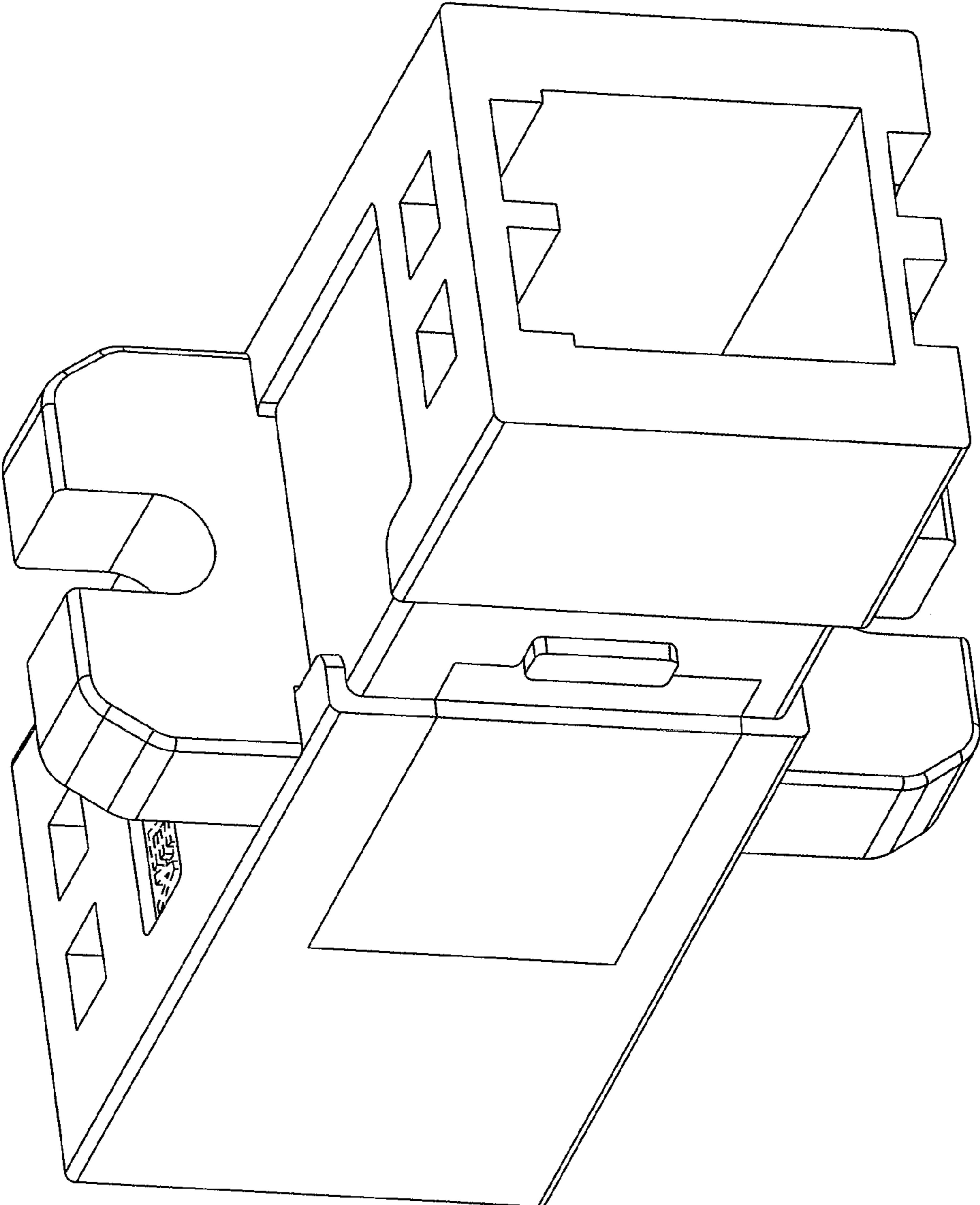
**DESCRIPTION**

FIG. 1 is a perspective view of an optical fiber adaptor in accordance with a preferred embodiment of our new design; FIG. 2 is another perspective view thereof; FIG. 3 is yet another perspective view thereof; FIG. 4 is a left side elevational view thereof; FIG. 5 is a right side elevational view thereof; FIG. 6 is a front elevational view thereof; FIG. 7 is a rear elevational view thereof; FIG. 8 is a top plan view thereof; and, FIG. 9 is a bottom plan view thereof.

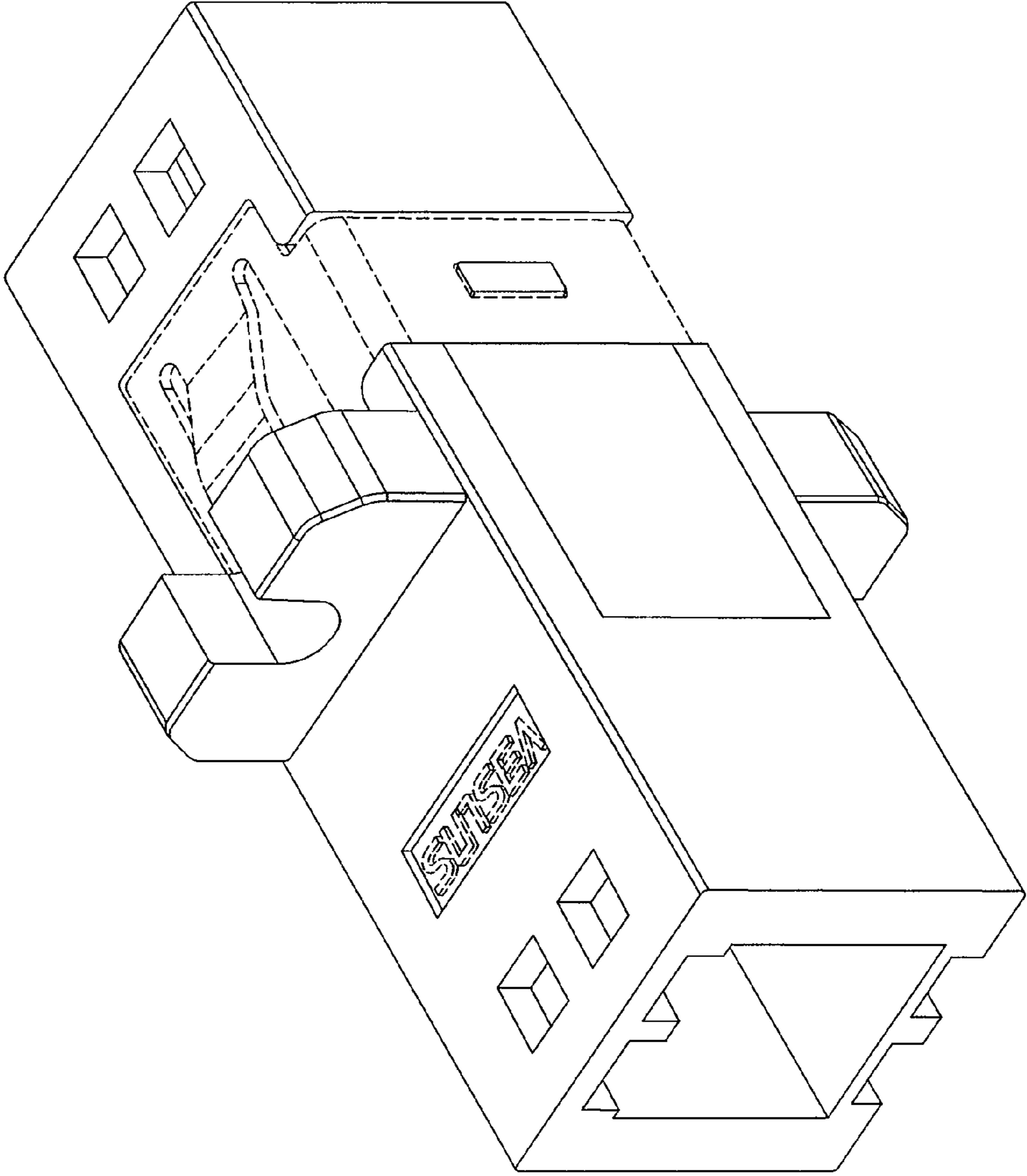
The broken lines in the drawing views are included to show environment and are for illustrative purposes only; the broken lines form no part of the claimed design.

**1 Claim, 9 Drawing Sheets**

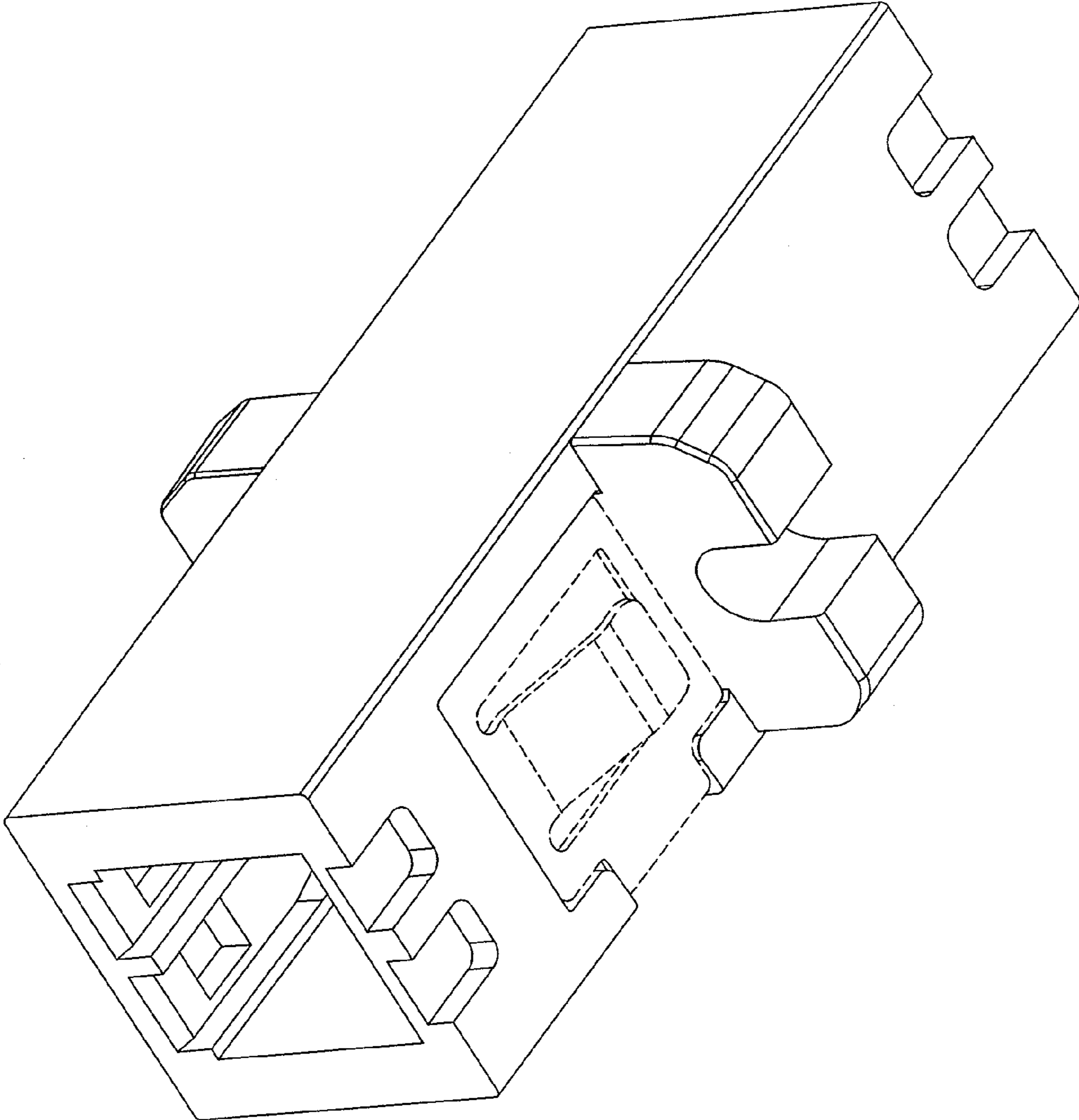




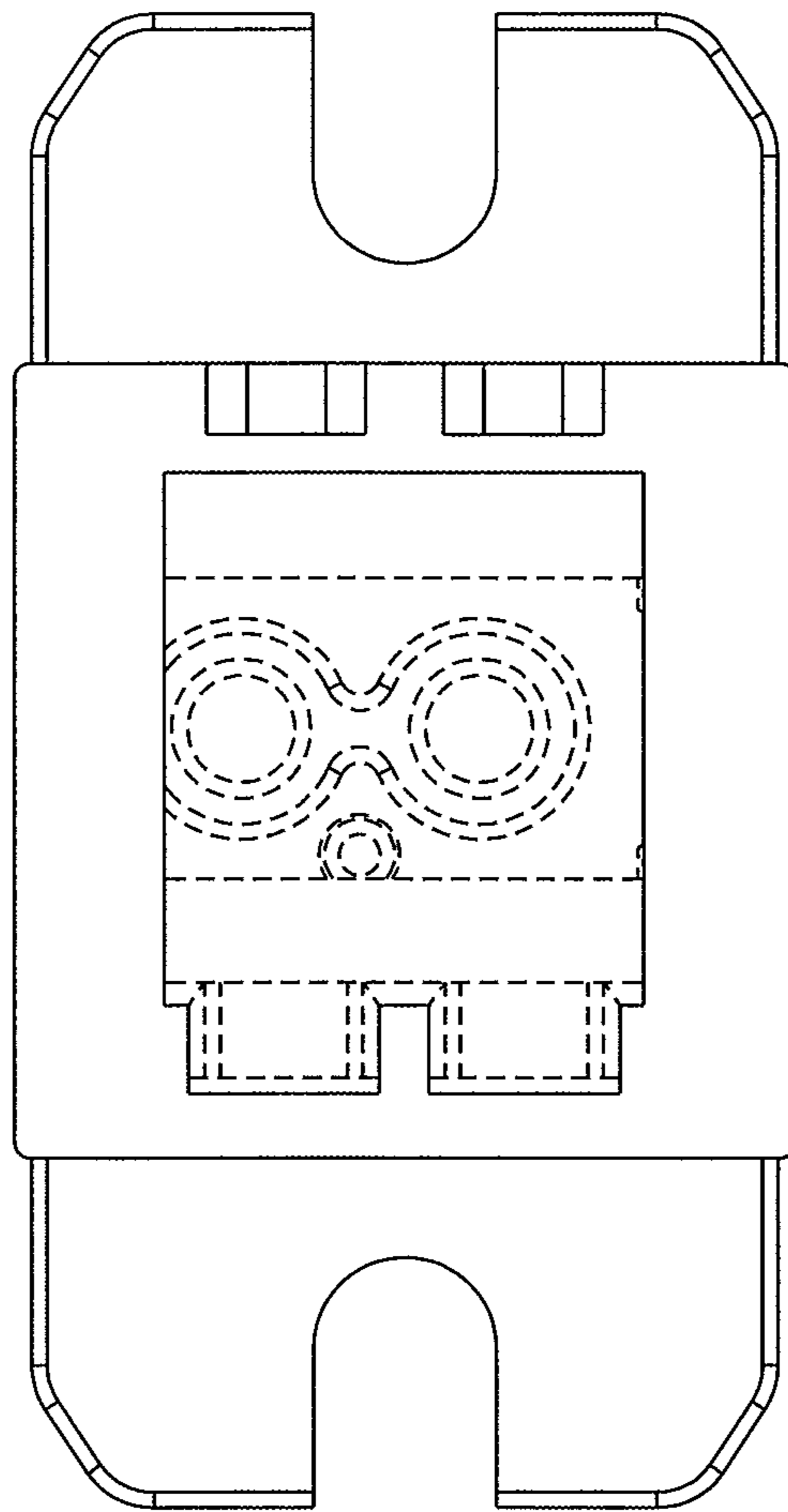
*Fig. 1*



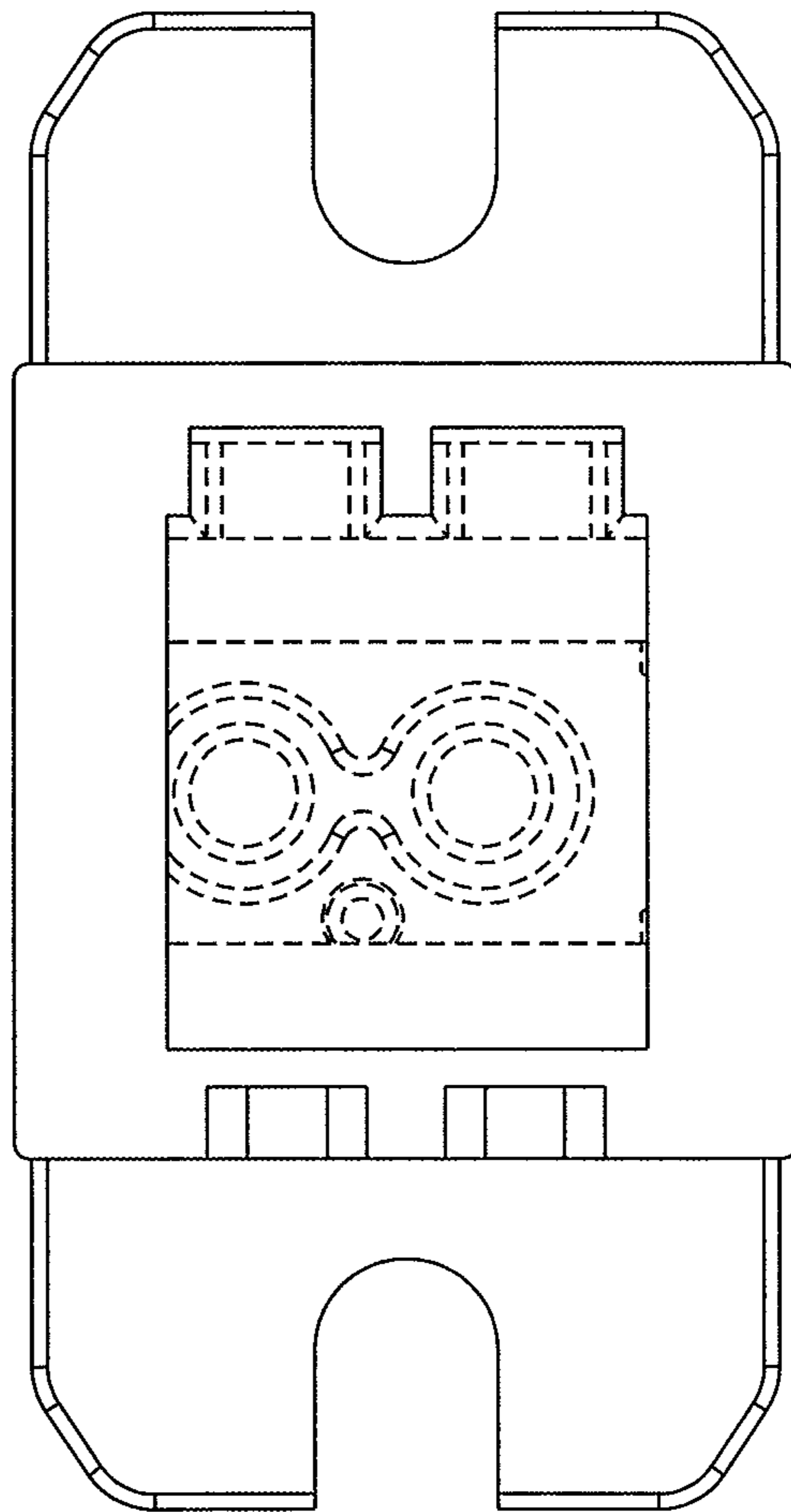
*Fig. 2*



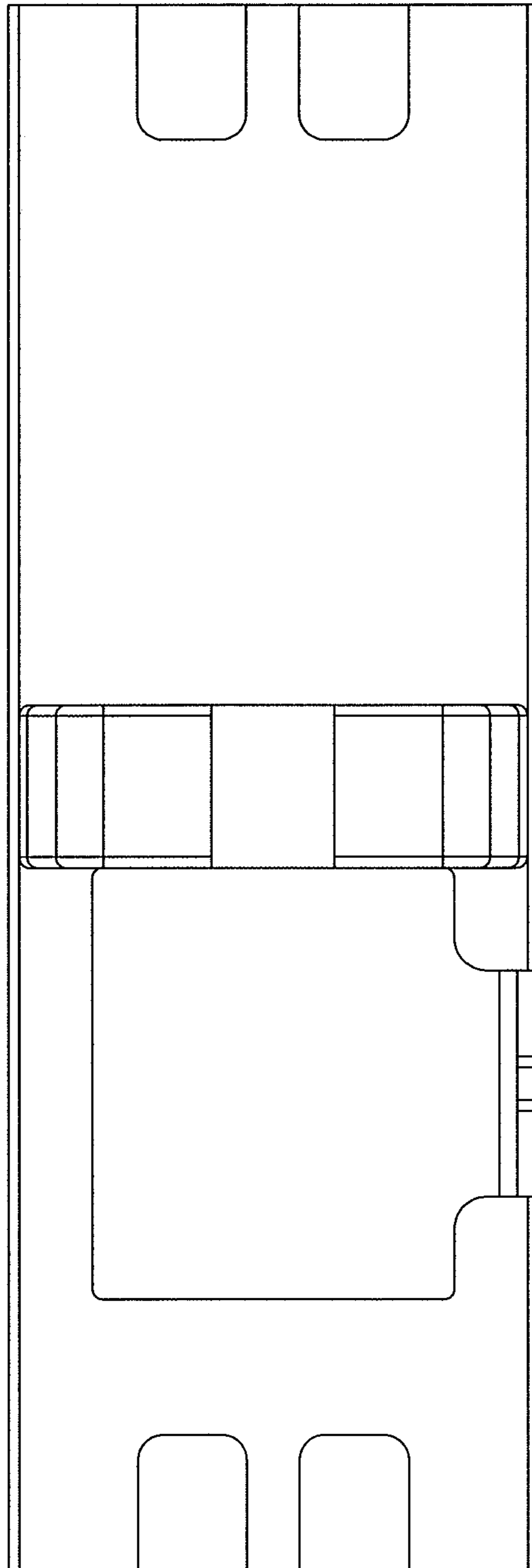
*Fig. 3*



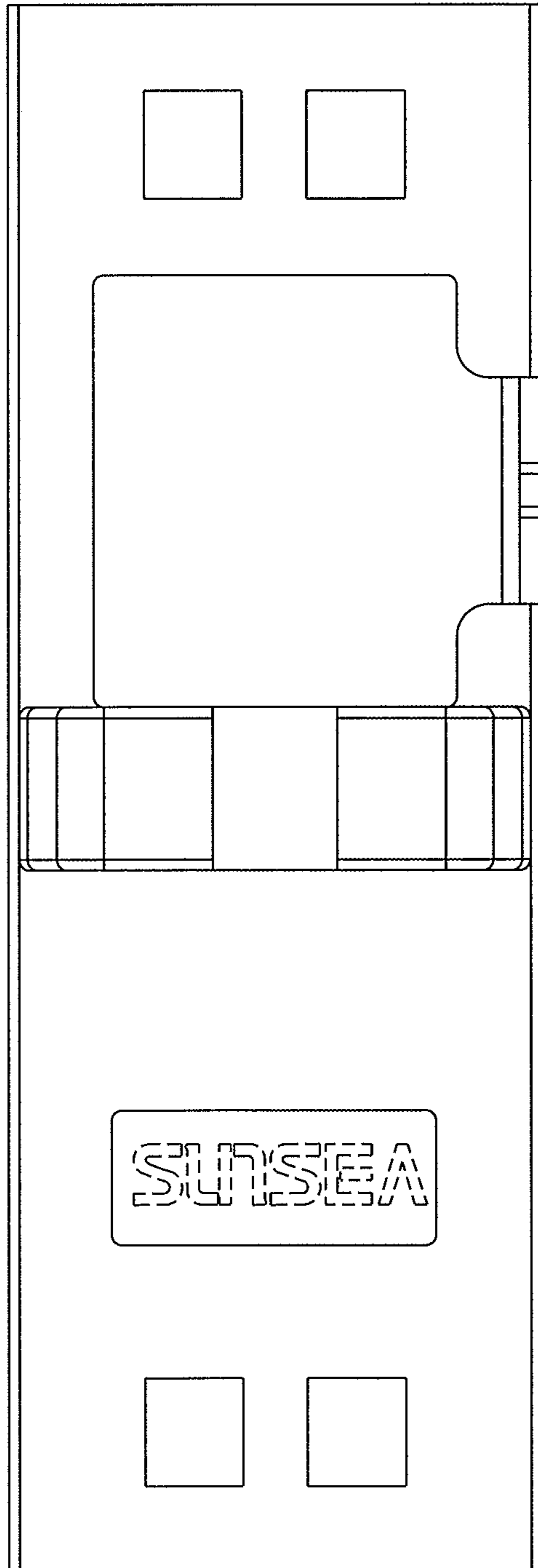
*Fig. 4*



*Fig. 5*

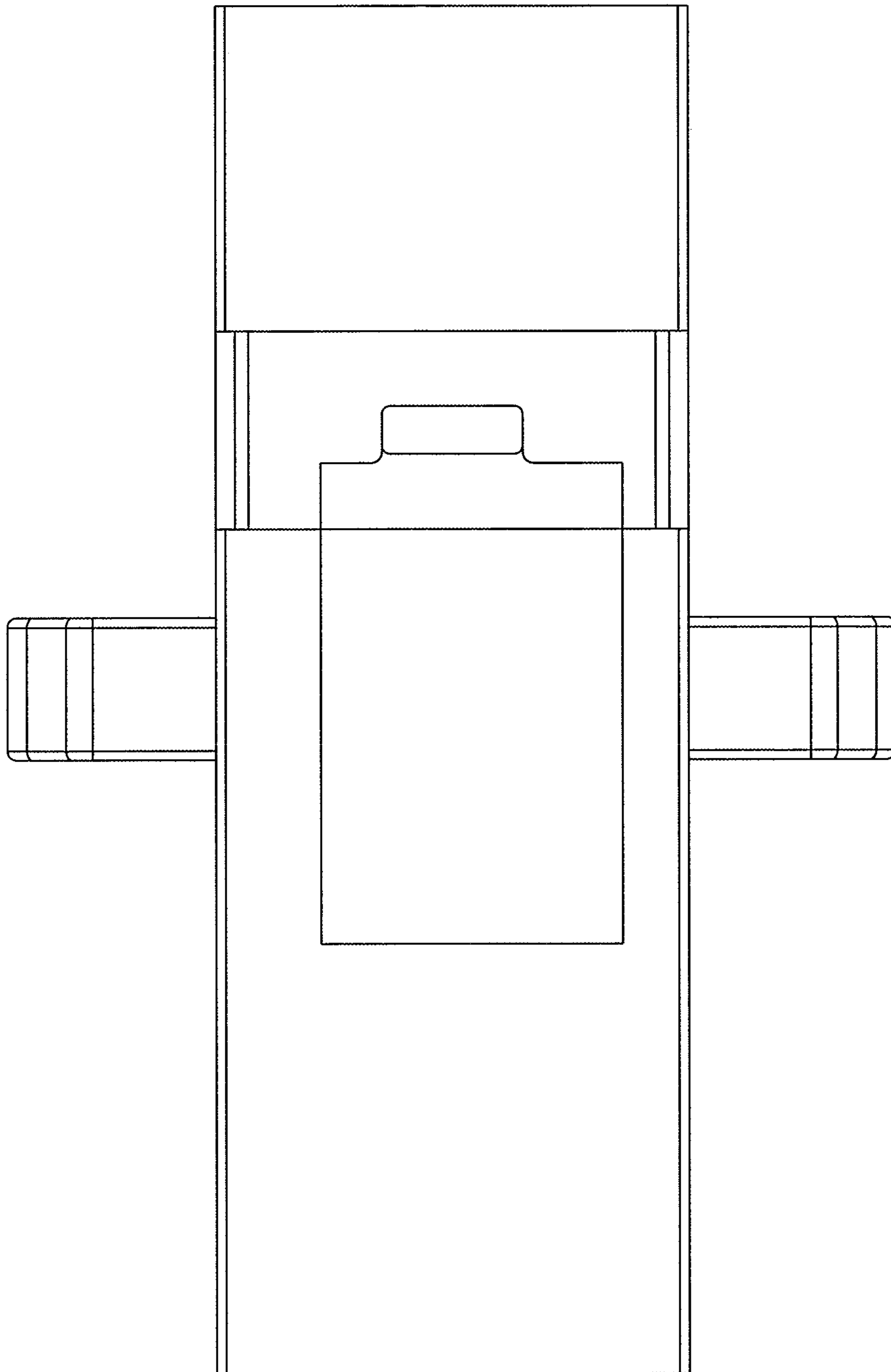


*Fig. 6*

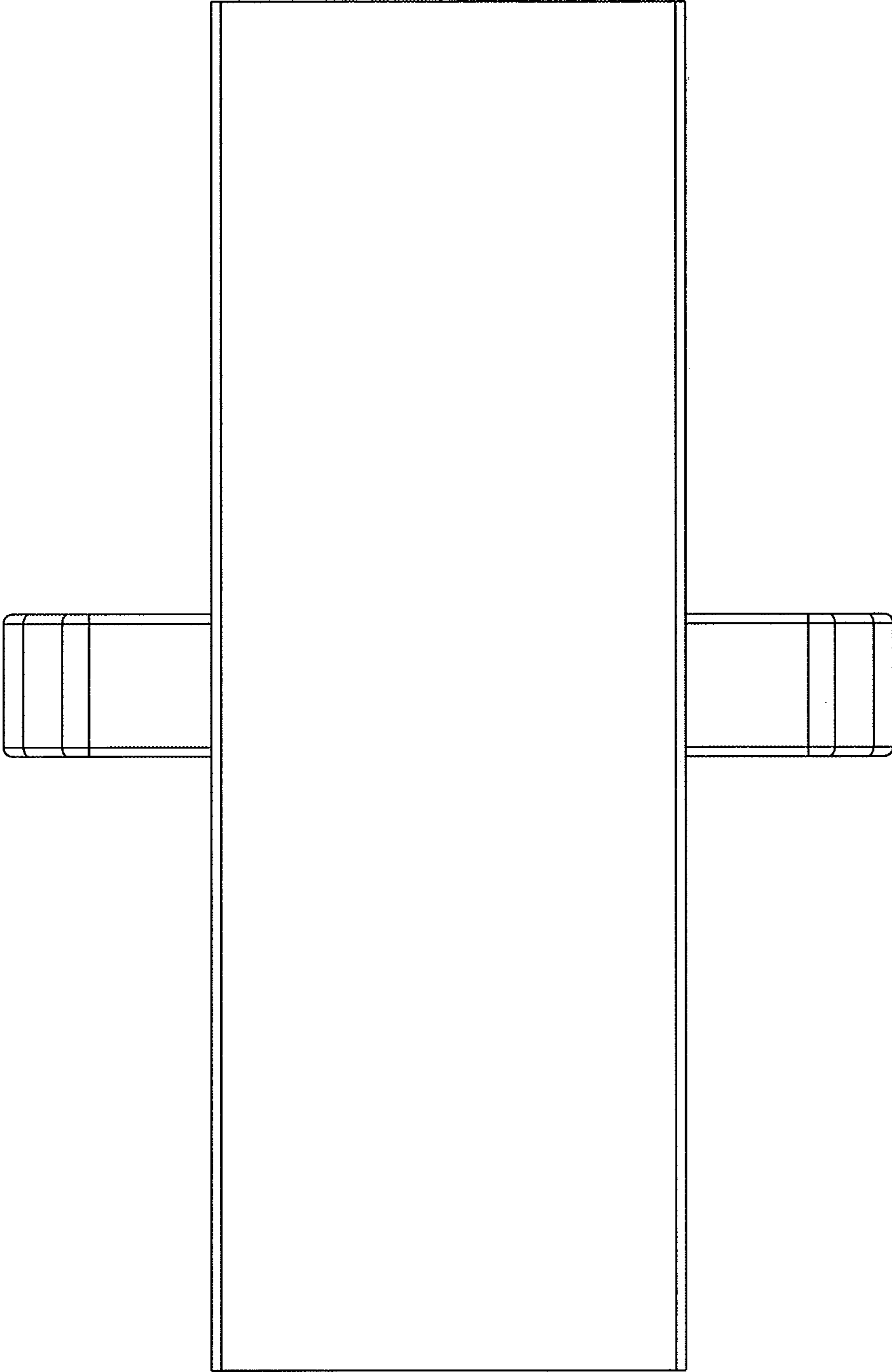


*Fig. 7*





*Fig. 8*



*Fig. 9*