



US00D682208S

(12) **United States Design Patent**
Kobayashi et al.

(10) **Patent No.:** **US D682,208 S**

(45) **Date of Patent:** **** May 14, 2013**

(54) **CORE FOR ELECTRONIC COMPONENT**

(75) Inventors: **Katsumi Kobayashi**, Tokyo (JP);
Masaaki Iwakura, Tokyo (JP)

(73) Assignee: **TDK Corporation**, Tokyo (JP)

(**) Term: **14 Years**

(21) Appl. No.: **29/432,103**

(22) Filed: **Sep. 13, 2012**

D264,959	S	*	6/1982	Ota et al.	D13/118
4,352,081	A	*	9/1982	Kijima	336/198
4,424,504	A		1/1984	Mitsui et al.		
D280,810	S		10/1985	Mitsui		
4,745,388	A		5/1988	Billings et al.		
D330,541	S		10/1992	Burrow et al.		
5,175,525	A	*	12/1992	Smith	336/83
D384,333	S		9/1997	Suzuki		
5,684,445	A	*	11/1997	Kobayashi et al.	336/83
D463,365	S		9/2002	Sakai et al.		
6,696,913	B2		2/2004	Meuche et al.		
D537,778	S		3/2007	Miyazaki		
D539,220	S		3/2007	Iwakura		
D550,622	S		9/2007	Shih		

Related U.S. Application Data

(62) Division of application No. 29/375,108, filed on Sep. 17, 2010, now Pat. No. Des. 669,854.

Foreign Application Priority Data

Mar. 26, 2010	(JP)	2010-007456
Jul. 28, 2010	(JP)	2010-018306
Sep. 1, 2010	(JP)	2010-021155

(51) **LOC (9) Cl.** **13-02**

(52) **U.S. Cl.**
USPC **D13/118**

(58) **Field of Classification Search** D13/118,
D13/101, 110, 120, 122, 183, 199; 219/116,
219/624; 323/247, 250, 253; 334/59, 63,
334/70, 76; 336/83, 136, 182, 185, 198,
336/208, 210, 212, 214, 218, 230, 232
See application file for complete search history.

(56) **References Cited**

U.S. PATENT DOCUMENTS

3,315,196	A	*	4/1967	Kawahara et al.	336/83
3,898,601	A		8/1975	Meindl		

FOREIGN PATENT DOCUMENTS

JP S-860019 1/1993

* cited by examiner

Primary Examiner — Derrick Holland

(74) *Attorney, Agent, or Firm* — Oliff & Berridge, PLC

(57) **CLAIM**

The ornamental design for a core for electronic component, as shown and described.

DESCRIPTION

FIG. 1 is a perspective view of a core for electronic component showing our new design;
FIG. 2 is a front elevation view, with the rear elevation view being a mirror image of the front elevation view thereof;
FIG. 3 is a top plan view thereof;
FIG. 4 is a bottom plan view thereof;
FIG. 5 is a right-side view, with the left-side view being a mirror image of the right-side view thereof; and,
FIG. 6 is a cross-sectional view of the core for electronic component taken along the line VI-VI in FIG. 2.

1 Claim, 3 Drawing Sheets

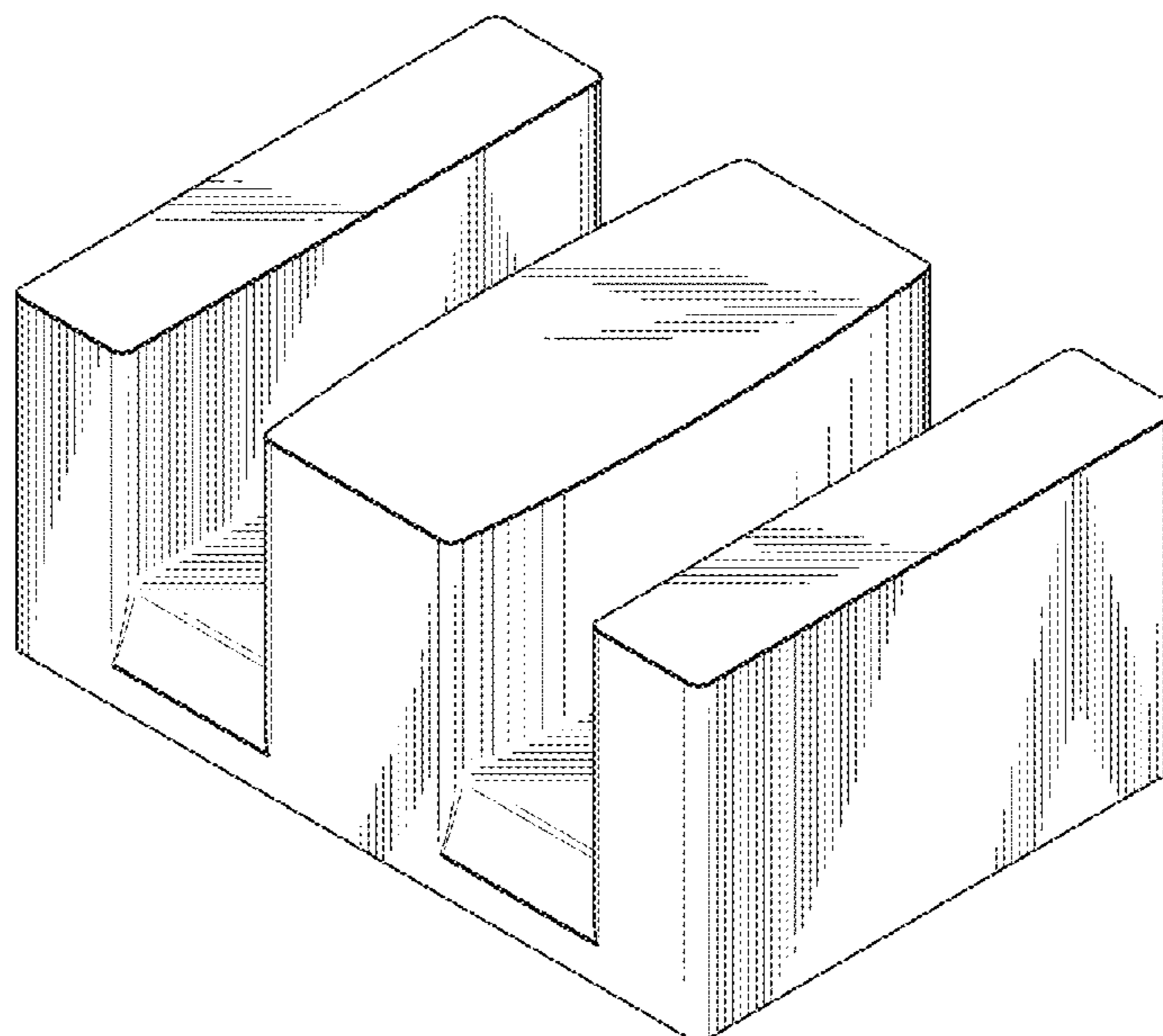


FIG. 1

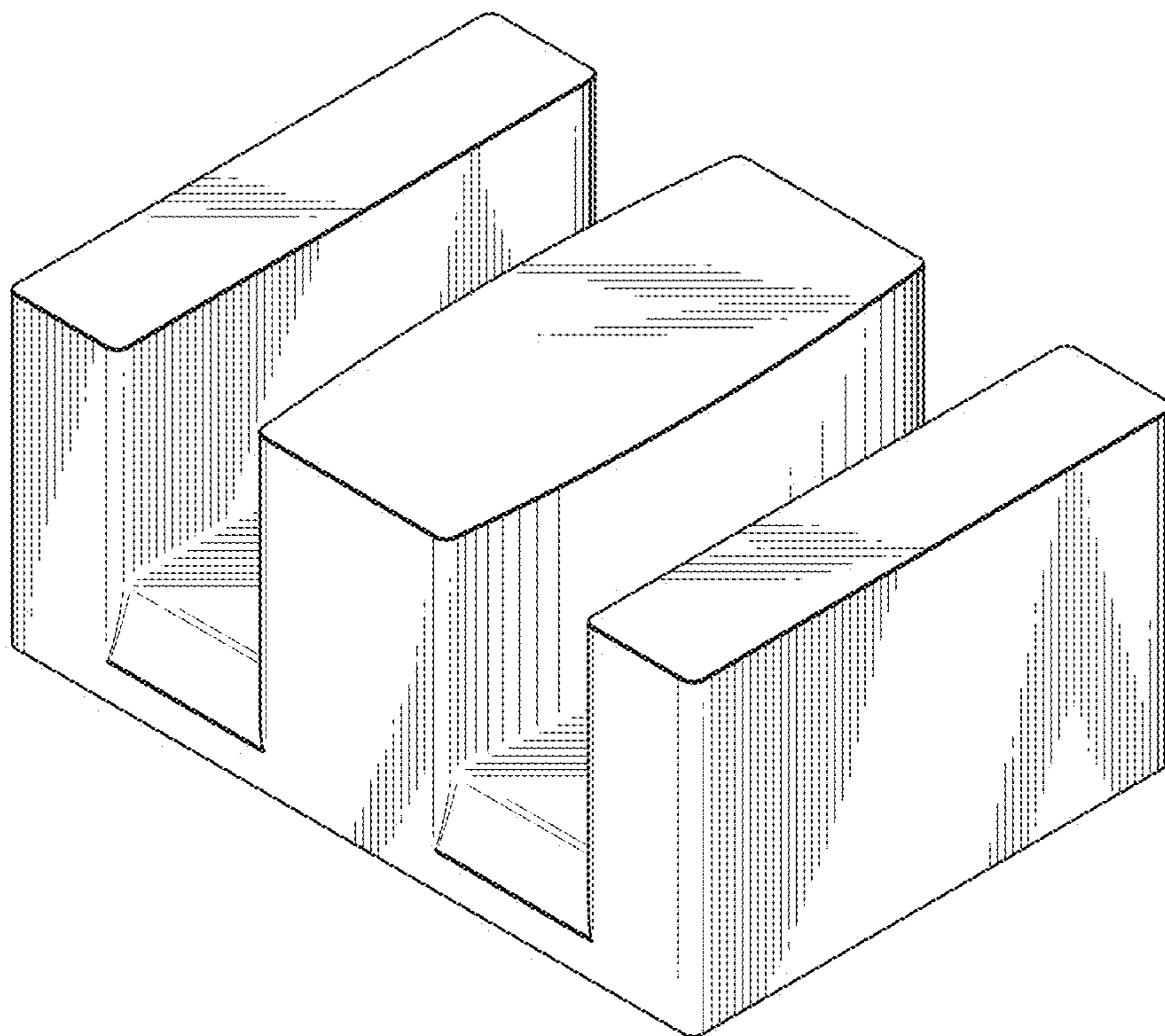


FIG. 2

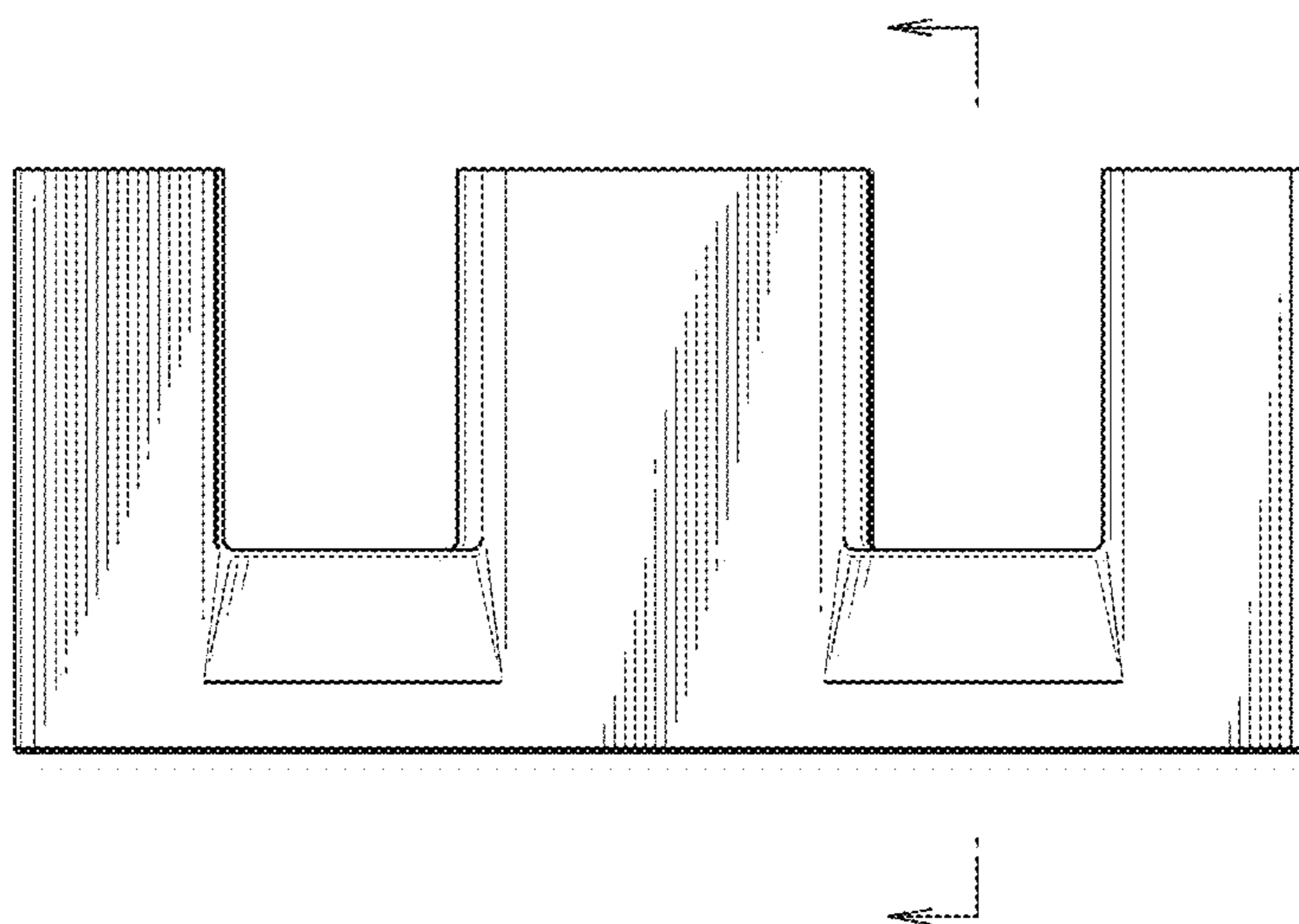


FIG.3

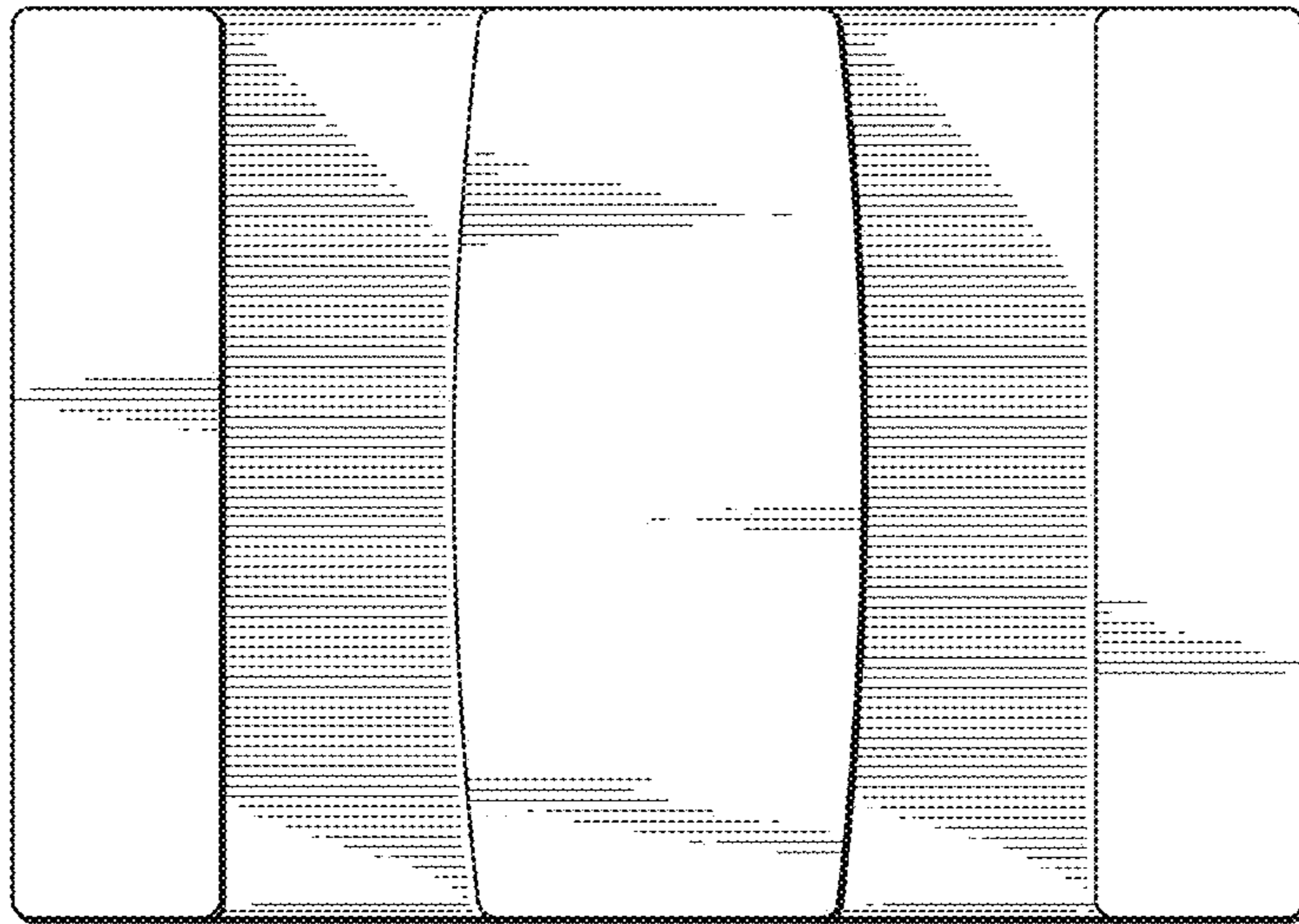


FIG.4

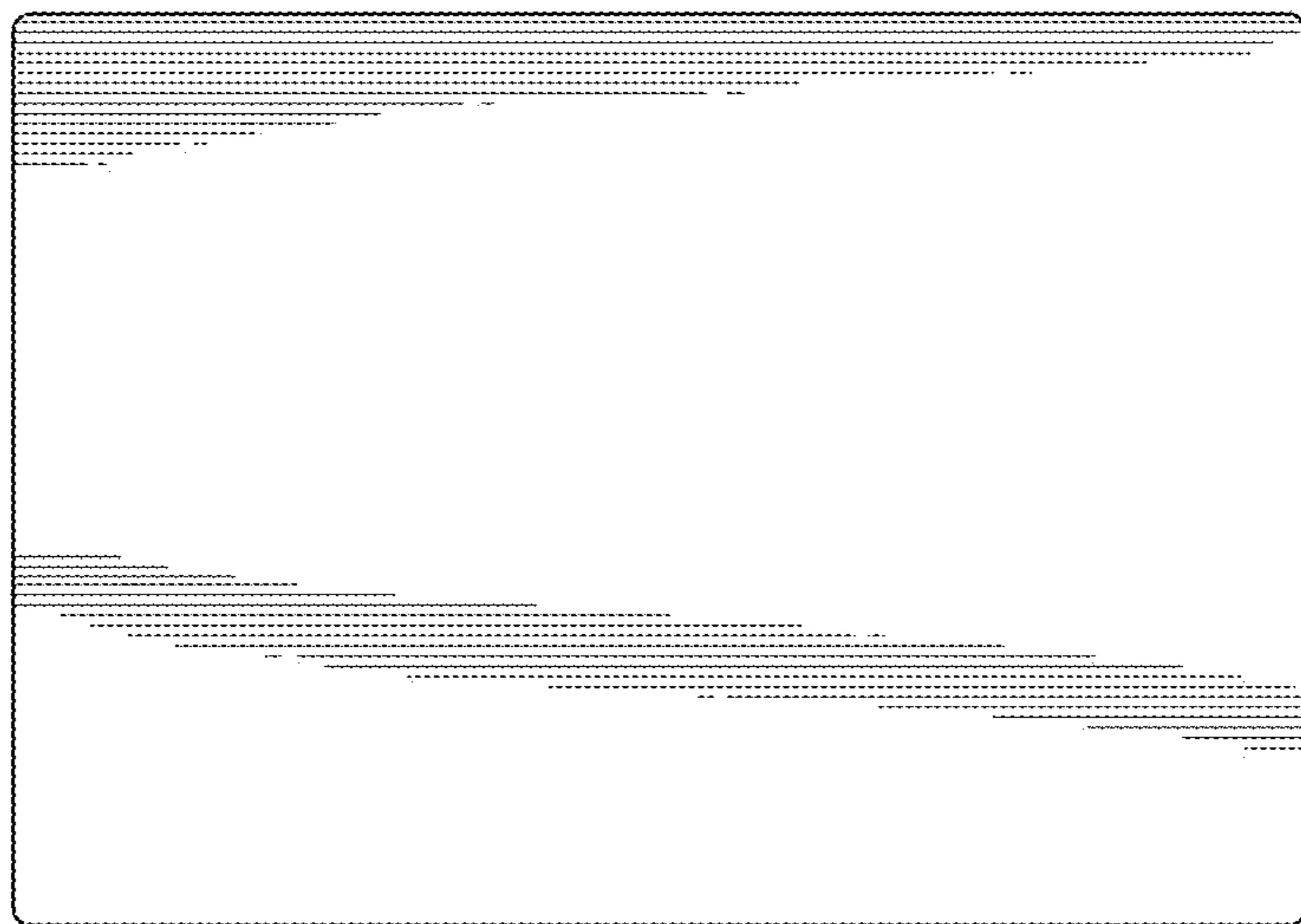


FIG.5

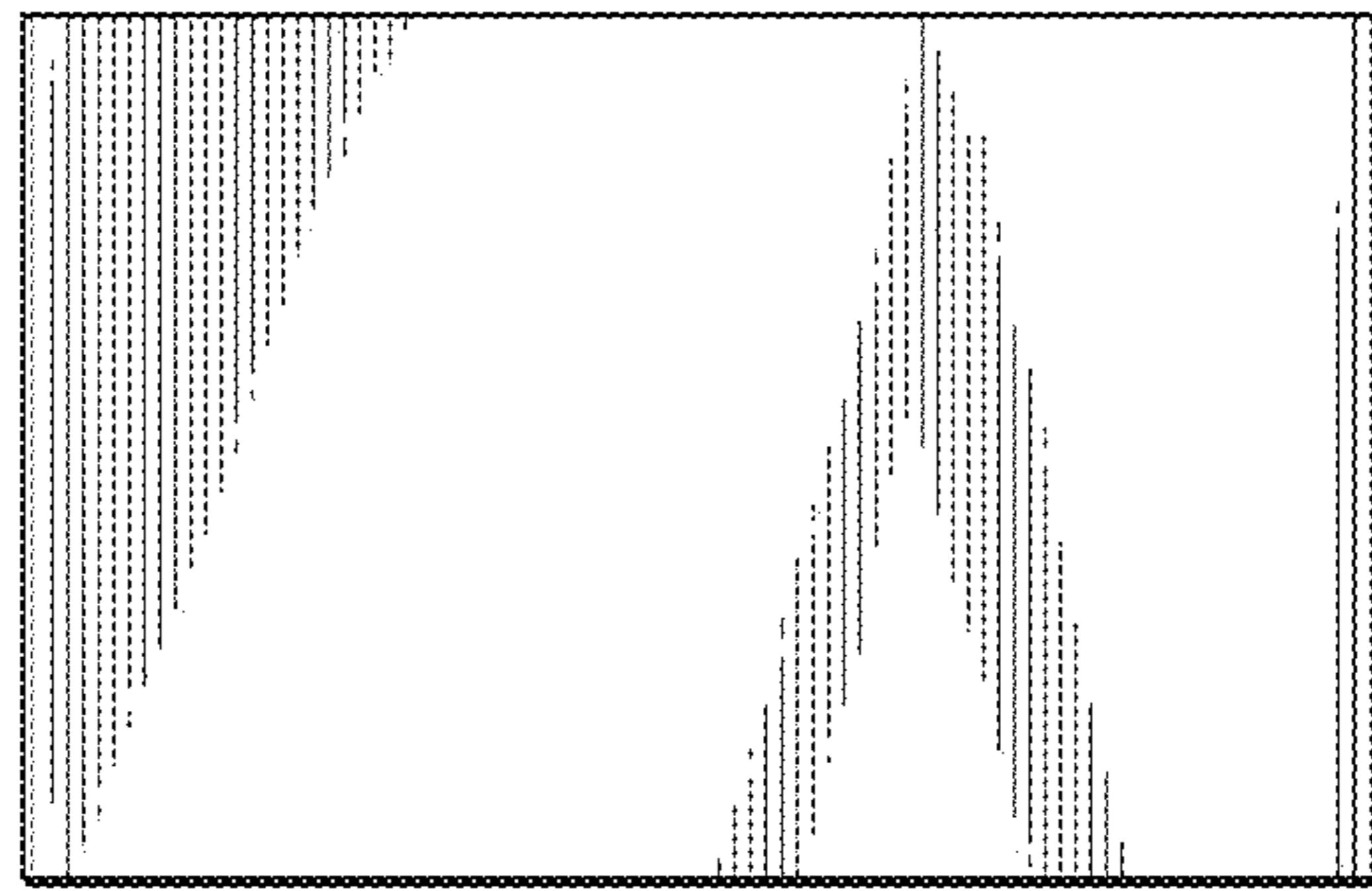


FIG.6

