



US00D682202S

(12) **United States Design Patent**
Weaver, Jr. et al.

(10) **Patent No.:** **US D682,202 S**

(45) **Date of Patent:** **** May 14, 2013**

(54) **HOUSING FOR A CHARGING DEVICE**

(71) Applicant: **Advanced Charging Technologies, LLC, Tulsa, OK (US)**

(72) Inventors: **W. J. "Jim" Weaver, Jr., Tulsa, OK (US); Michael H. Freeman, Tulsa, OK (US); Roy Matthew Milner, II, Broken Arrow, OK (US); Mitchael C. Freeman, Sapulpa, OK (US); Robert Dieter, Owasso, OK (US); Brian Santee, Tulsa, OK (US)**

(73) Assignee: **Advanced Charging Technologies, LLC, Tulsa, OK (US)**

(**) Term: **14 Years**

(21) Appl. No.: **29/433,502**

(22) Filed: **Oct. 1, 2012**

(51) **LOC (9) Cl.** **13-02**

(52) **U.S. Cl.**
USPC **D13/108**

(58) **Field of Classification Search** D13/107-110,
D13/118-119, 137.1-137.2, 184, 199; D14/251,
D14/253, 432, 434; 320/107-115
See application file for complete search history.

(56) **References Cited**

U.S. PATENT DOCUMENTS

D400,855 S * 11/1998 Lee D13/138.1
D573,946 S * 7/2008 Ledbetter et al. D13/110
D602,430 S * 10/2009 Green et al. D13/110

D611,415 S * 3/2010 Andre et al. D13/138.1
D623,136 S * 9/2010 Andre et al. D13/138.1
D653,208 S * 1/2012 Au D13/108
D669,029 S * 10/2012 Huang D13/110
2009/0237031 A1* 9/2009 McSweyn et al. 320/114
2010/0117597 A1* 5/2010 Wang 320/111

* cited by examiner

Primary Examiner — Rosemary K Tarcza

(74) *Attorney, Agent, or Firm* — Howard & Howard Attorneys PLLC

(57) **CLAIM**

We claim the ornamental design for a housing for a charging device, as shown and described.

DESCRIPTION

FIG. 1 is a first perspective view of the new design of a housing for a charging device;
FIG. 2 is a left side elevation view of the housing;
FIG. 3 is a right side elevation view of the housing;
FIG. 4 is a top view of the housing;
FIG. 5 is a front view of the housing;
FIG. 6 is a rear view of the housing;
FIG. 7 is a bottom view of the housing;
FIG. 8 is a second perspective view of the housing;
FIG. 9 is an alternative view of the second perspective of the housing with a first set of electrical prongs extended; and,
FIG. 10 is an alternative view of the second perspective of the housing with a second set of electrical prongs extended.
The broken lines shown in the figures are for illustrative purposes only and form no part of the claimed design.

1 Claim, 5 Drawing Sheets

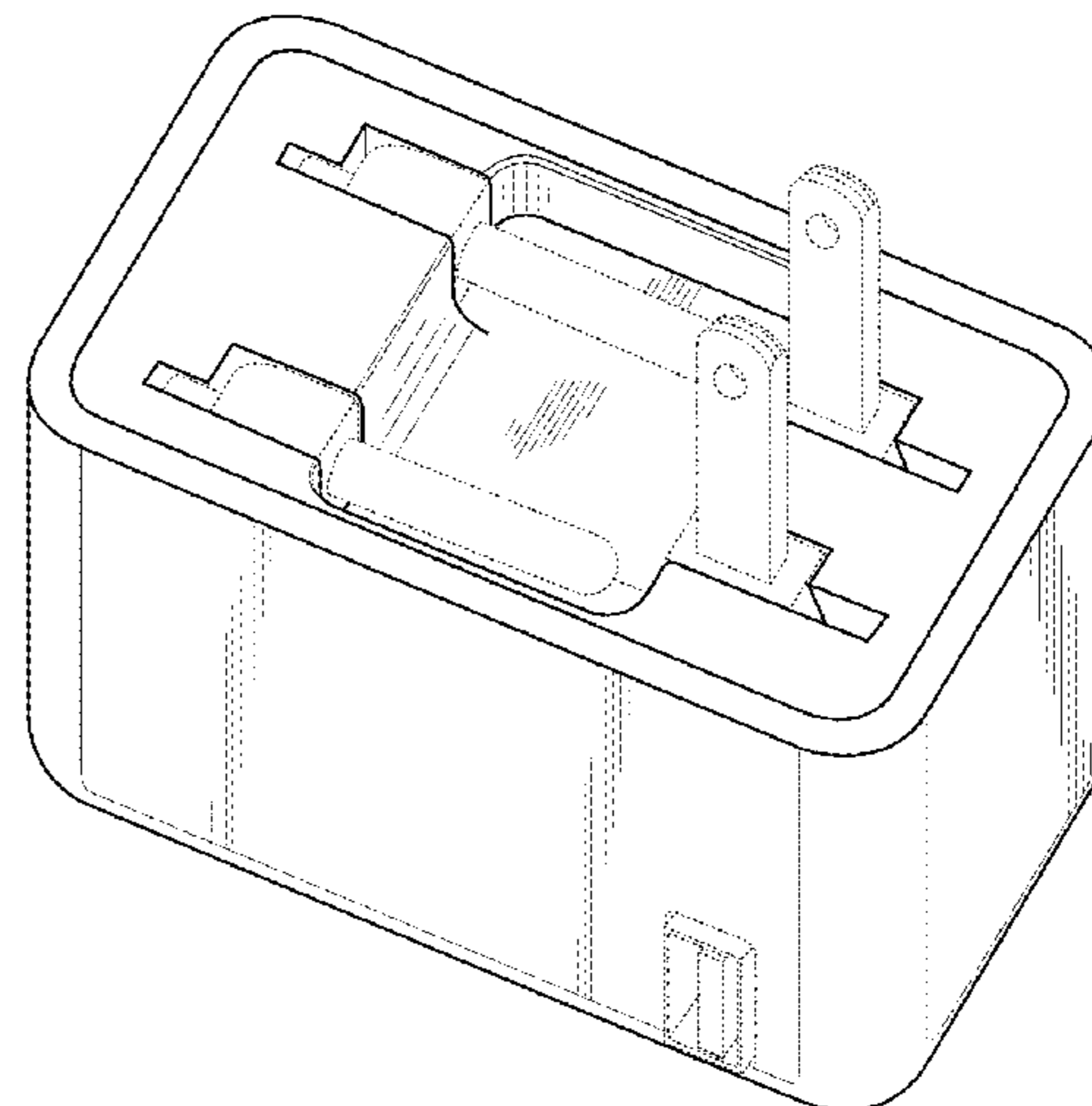
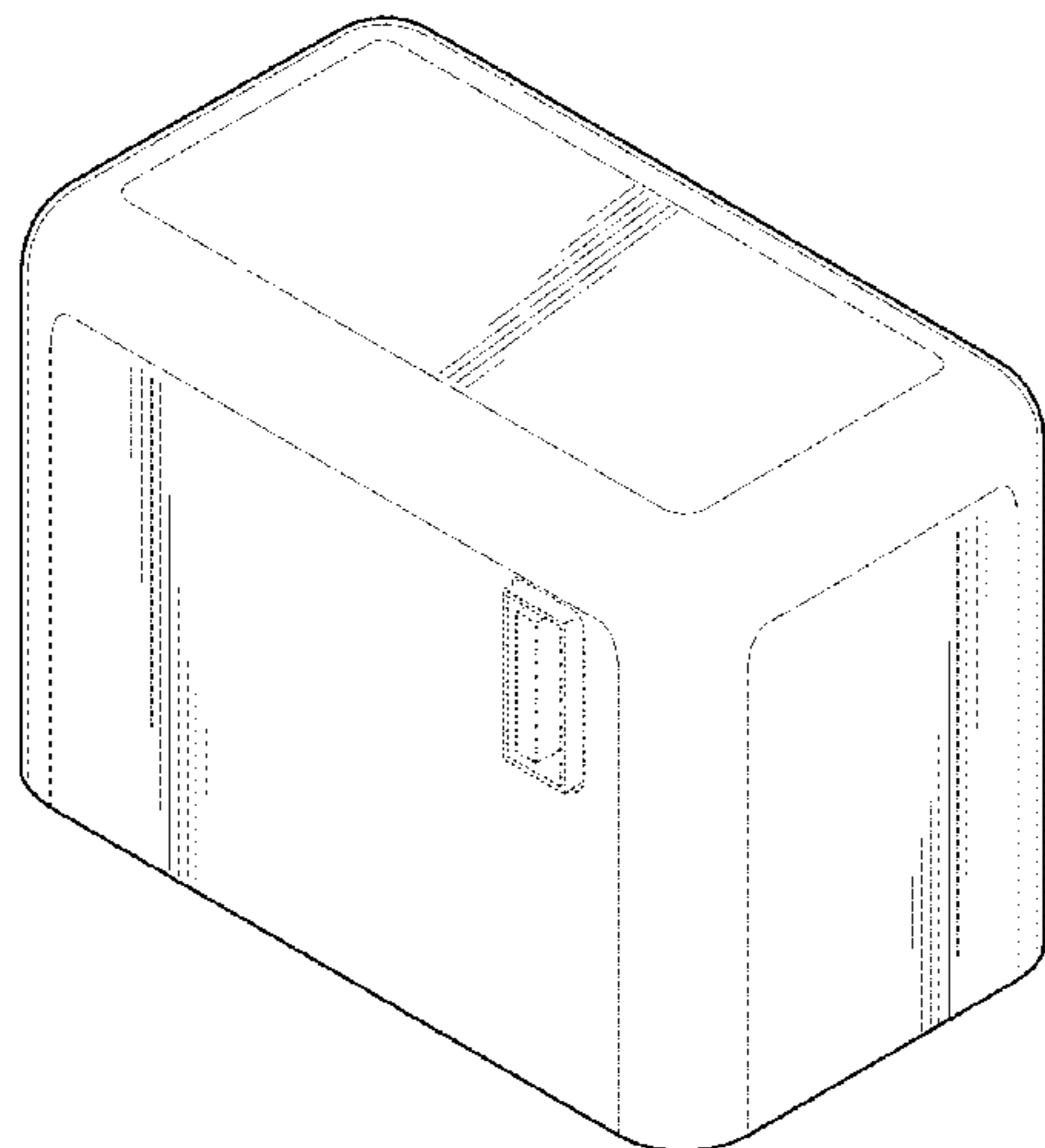


FIG. 1

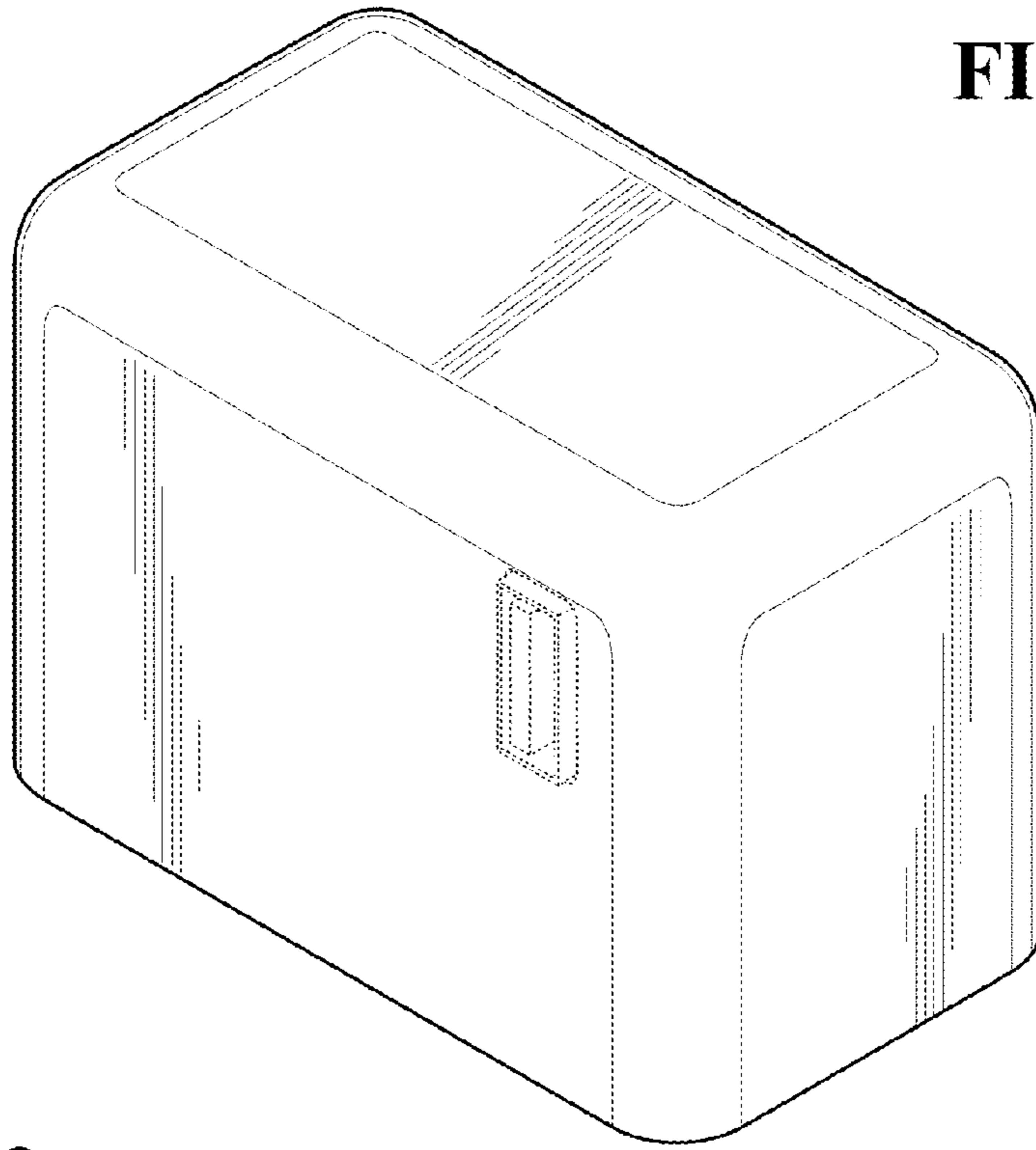


FIG. 2

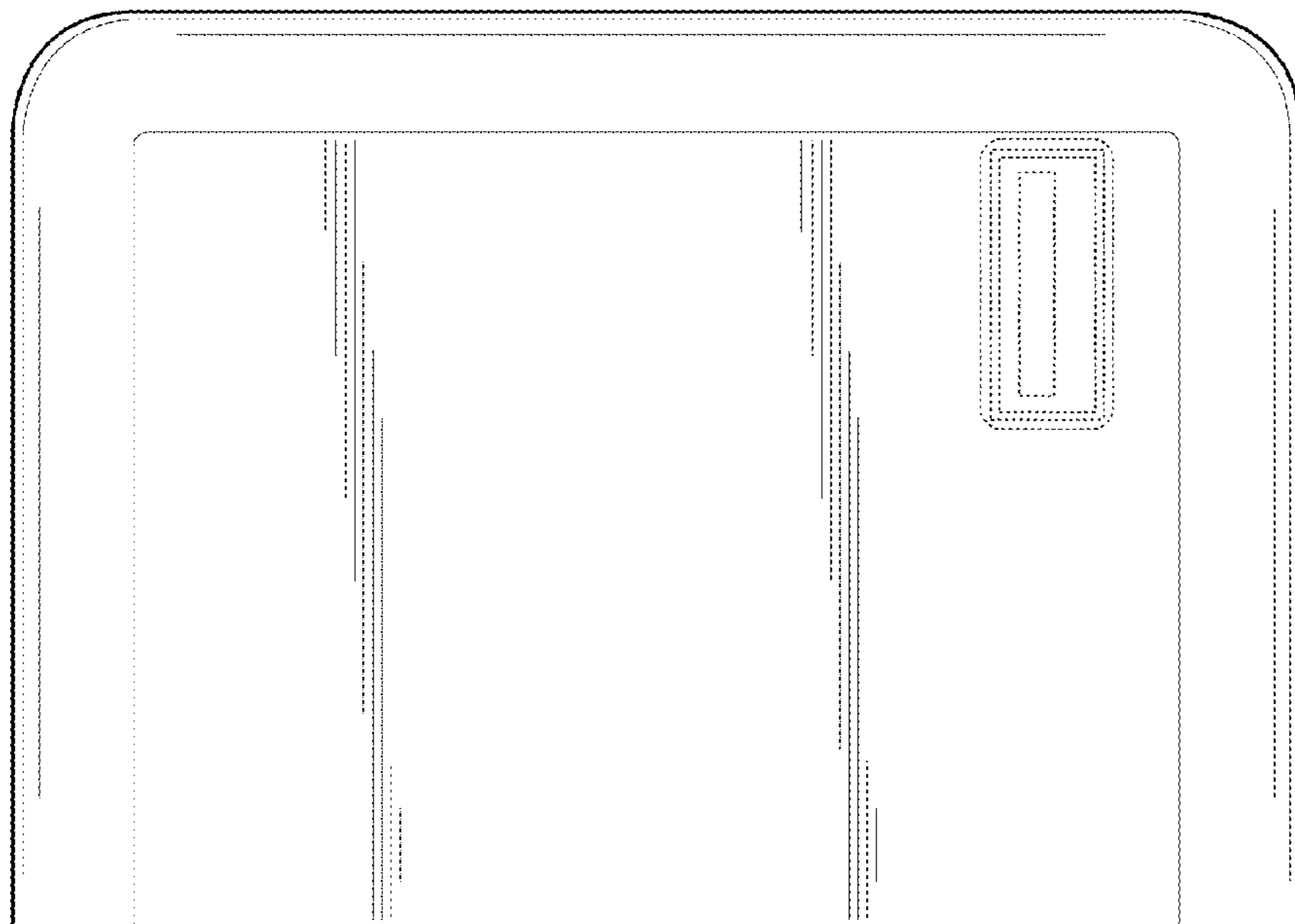


FIG. 3

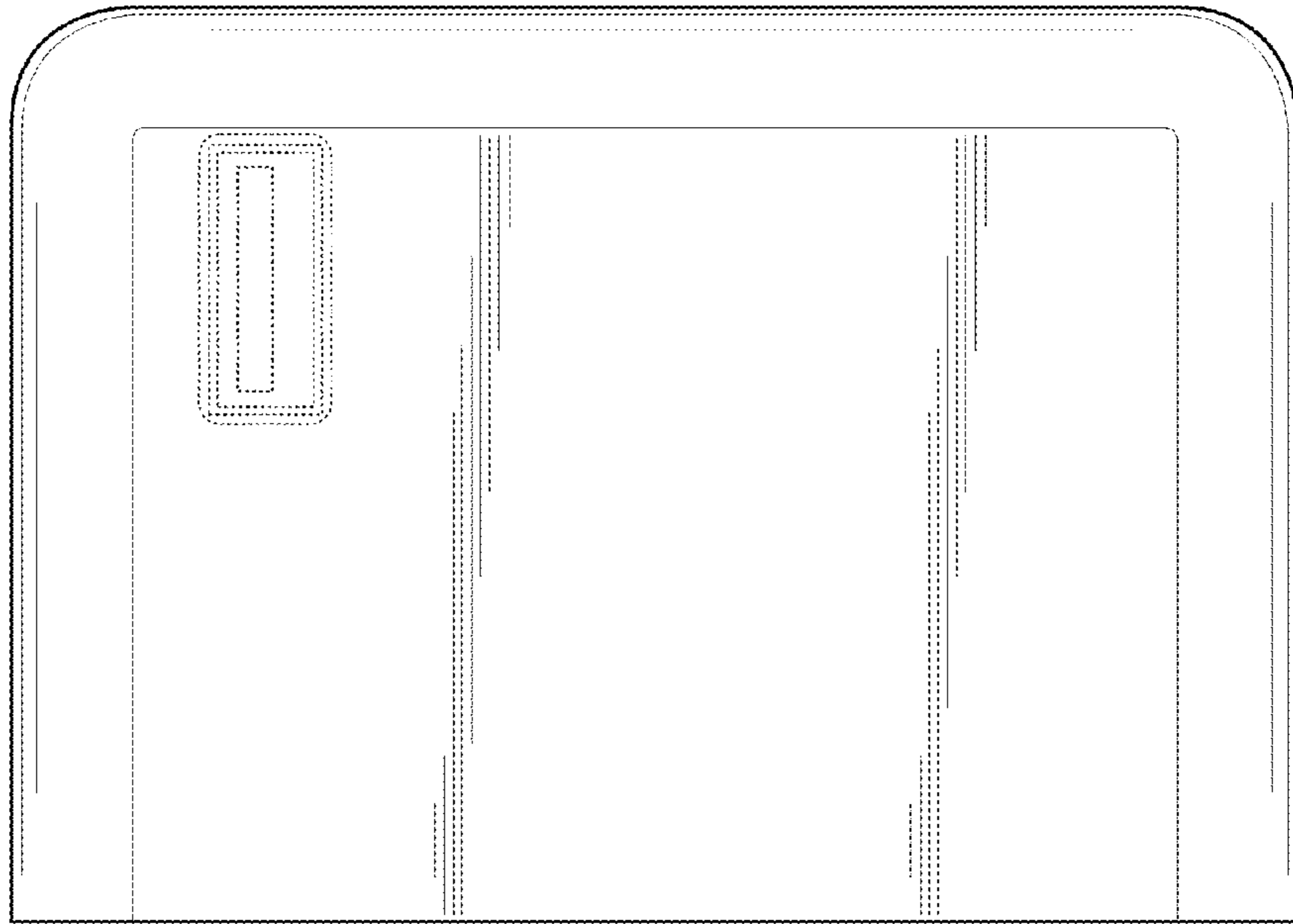


FIG. 4

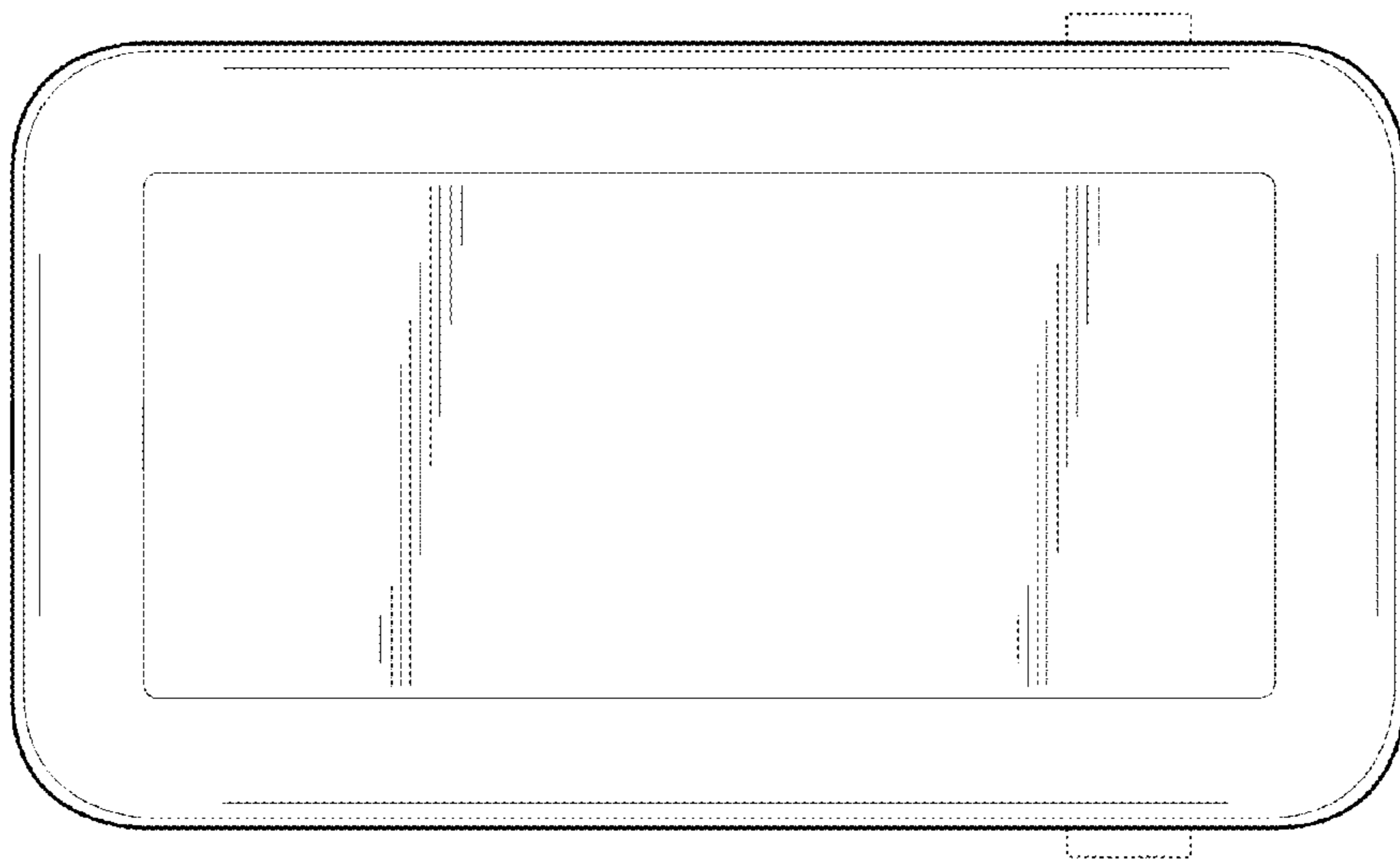


FIG. 5

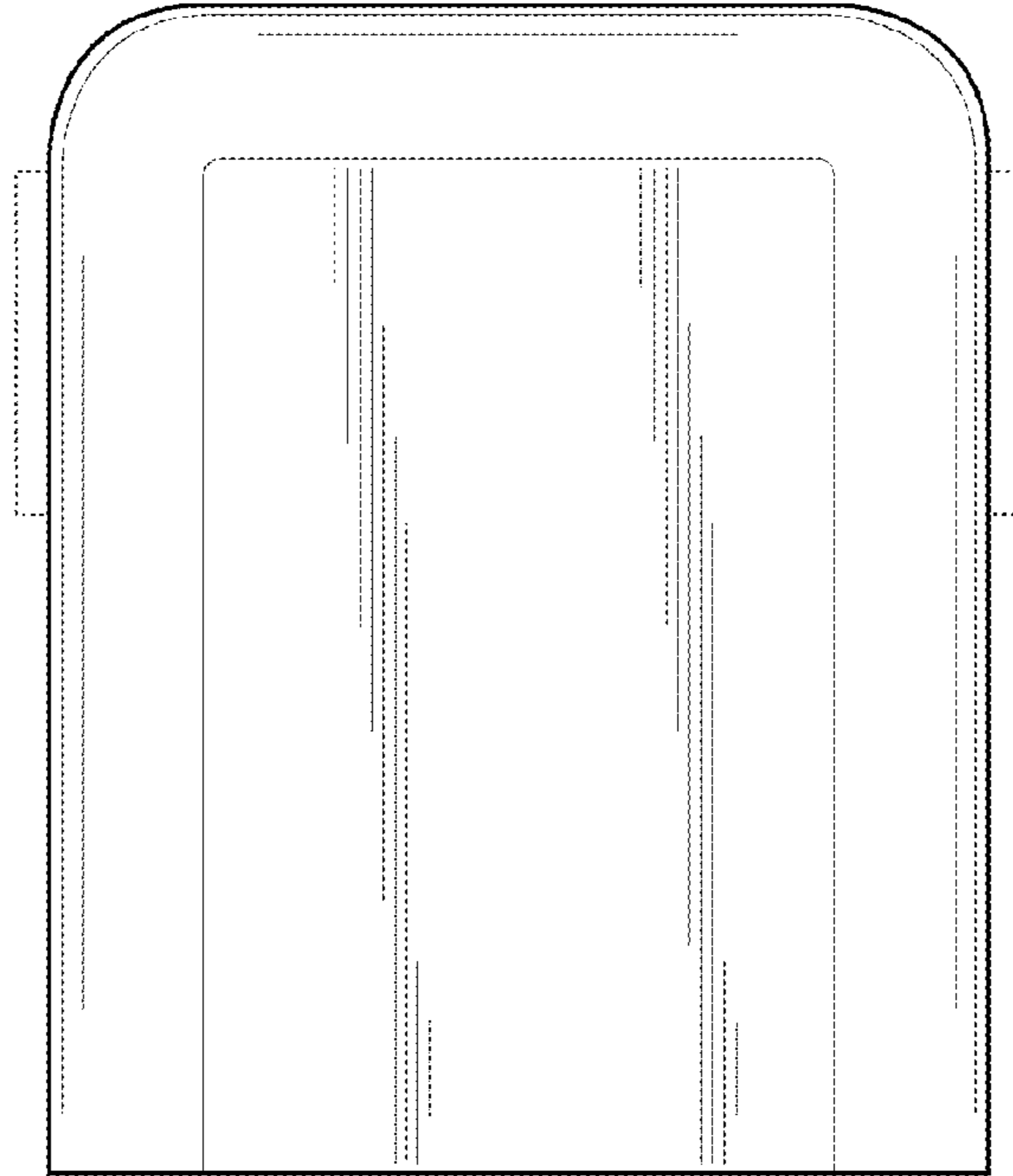


FIG. 6

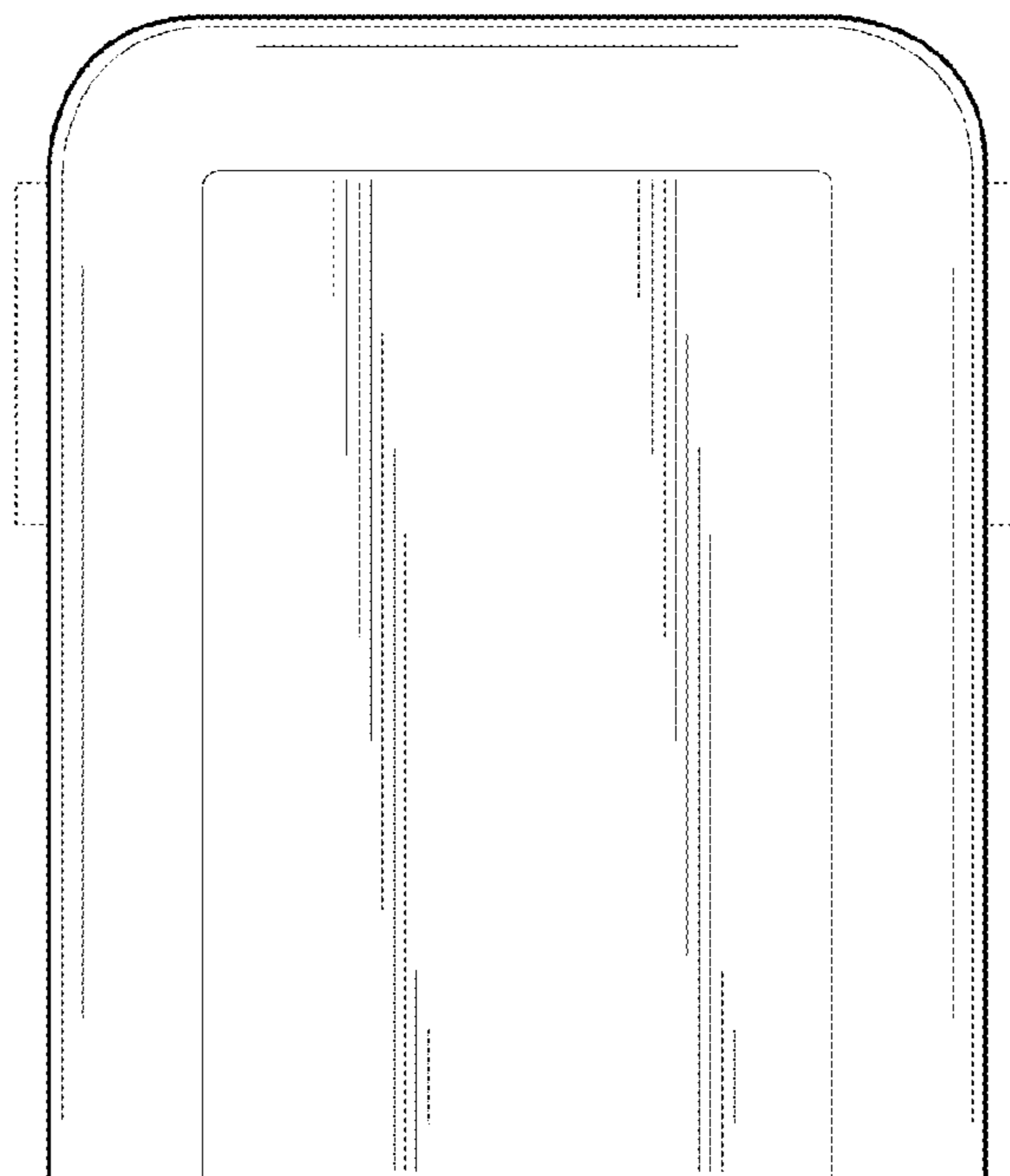


FIG. 7

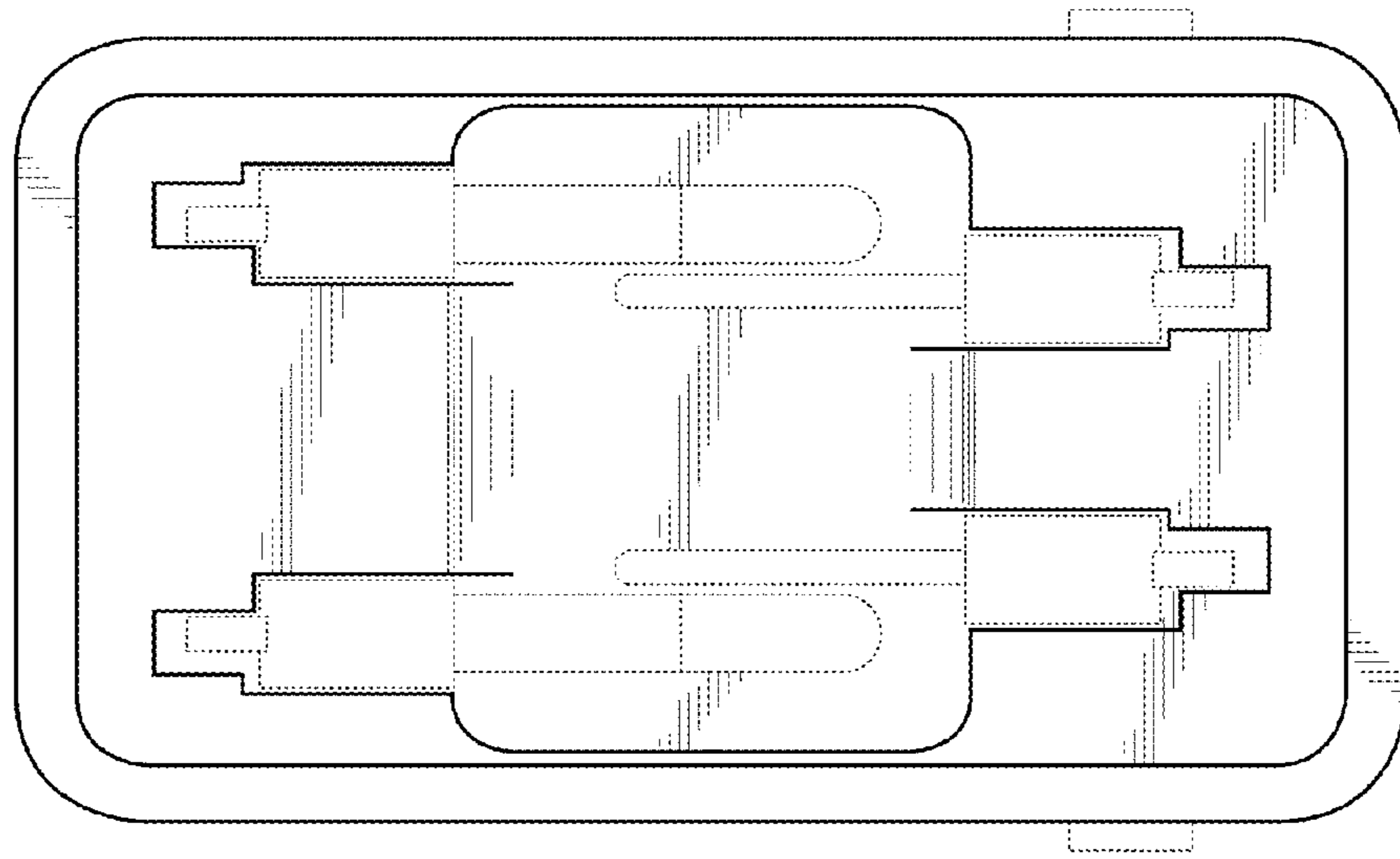


FIG. 8

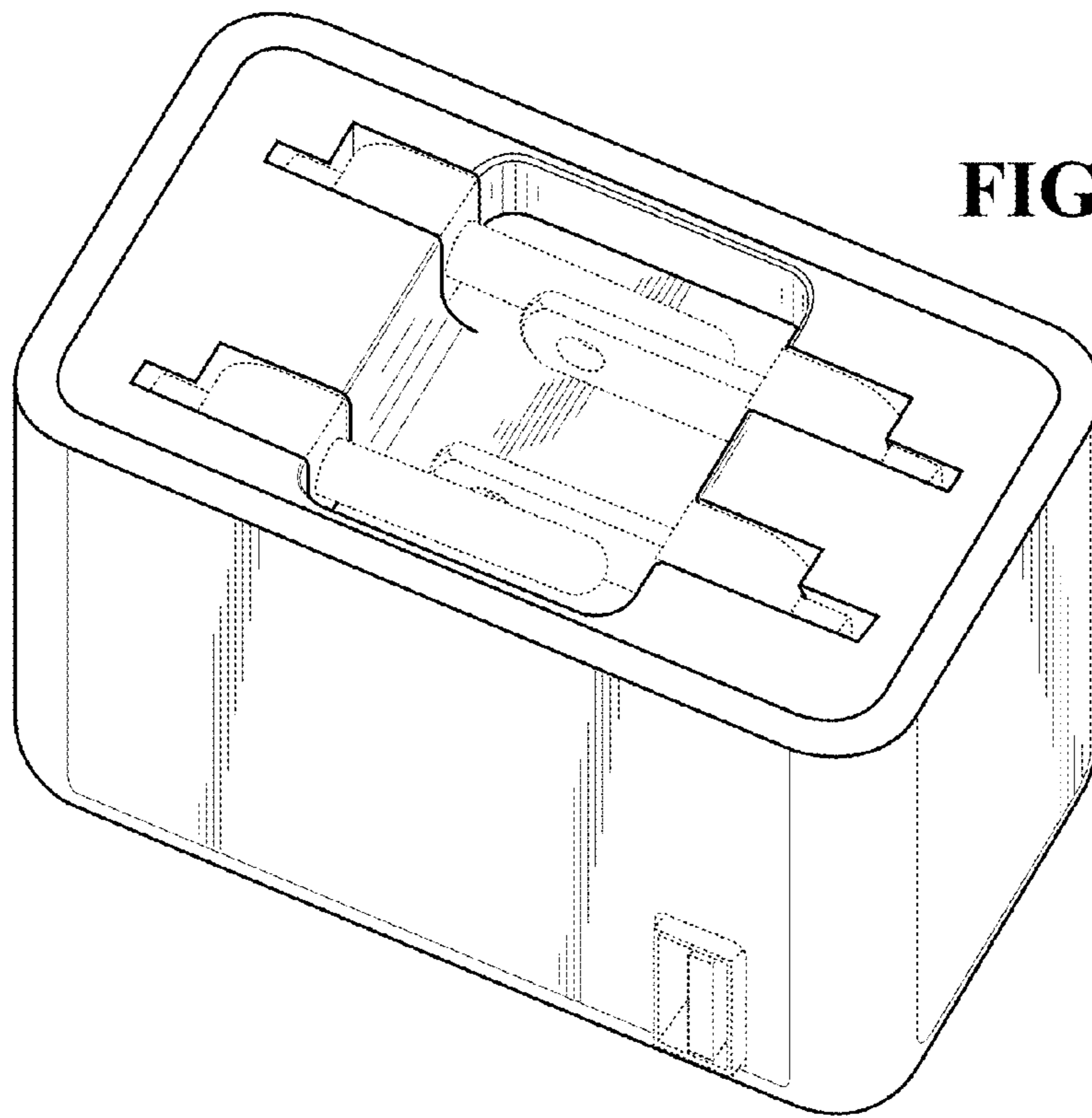


FIG. 9

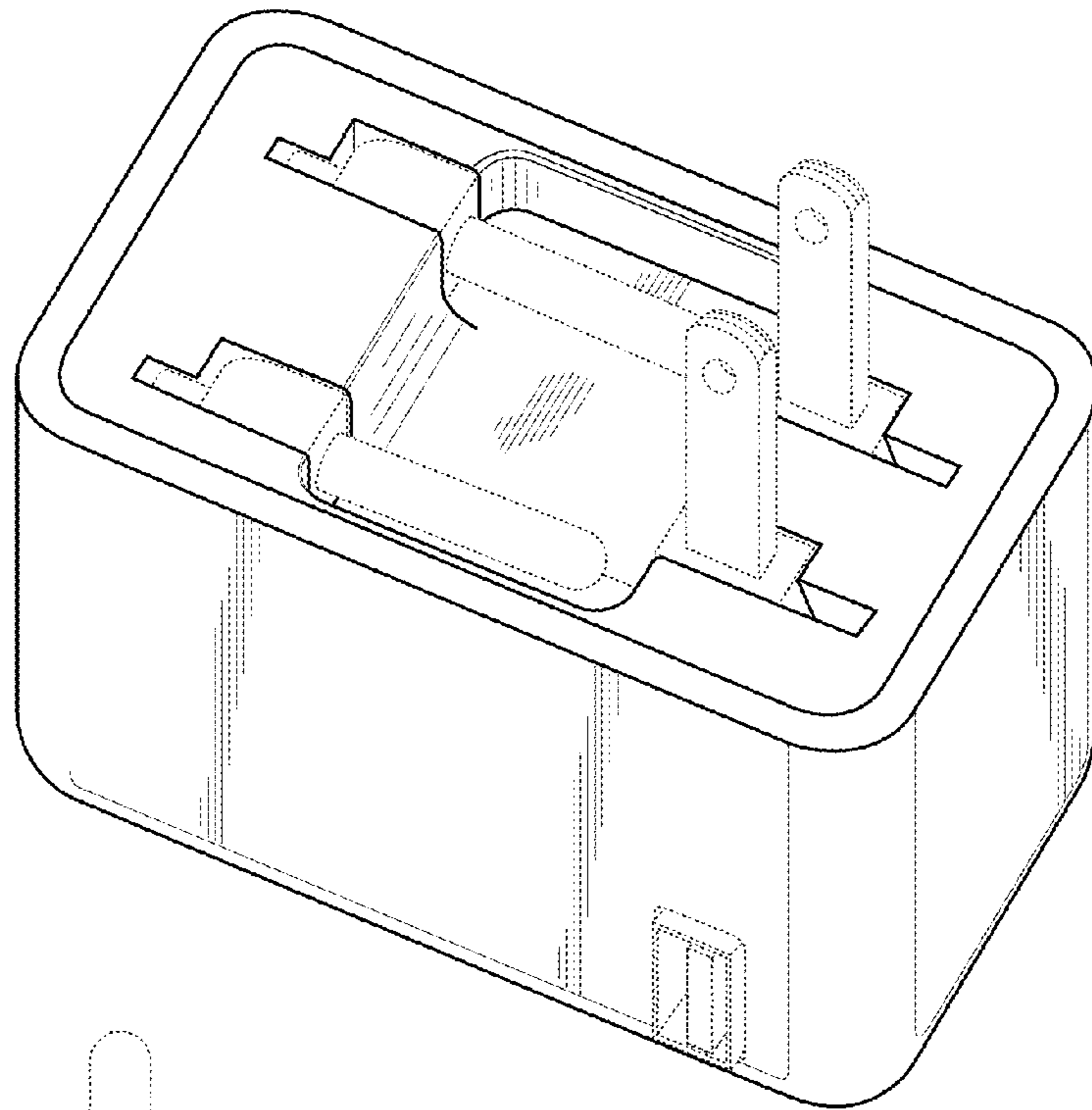


FIG. 10

