



US00D682199S

(12) **United States Design Patent**
Rautiainen

(10) **Patent No.:** **US D682,199 S**

(45) **Date of Patent:** **** May 14, 2013**

(54) **CHARGER**

(75) Inventor: **Jukka Rautiainen**, Helsinki (FI)

(73) Assignee: **Nokia Corporation** (FI)

(**) Term: **14 Years**

(21) Appl. No.: **29/426,981**

(22) Filed: **Jul. 12, 2012**

(51) **LOC (9) Cl.** **13-02**

(52) **U.S. Cl.**
USPC **D13/108**

(58) **Field of Classification Search** D13/107-110,
D13/118-119, 184, 199; D14/251, 253,
D14/432, 434; 320/107-115
See application file for complete search history.

(56) **References Cited**

U.S. PATENT DOCUMENTS

D441,348 S * 5/2001 Todd et al. D13/184
D624,051 S * 9/2010 Shimizu et al. D14/217

D624,052 S * 9/2010 Shimizu et al. D14/217
D667,788 S * 9/2012 Mai D13/110
2011/0127959 A1* 6/2011 McGary et al. 320/114

* cited by examiner

Primary Examiner — Rosemary K Tarca

(74) *Attorney, Agent, or Firm* — Banner & Witcoff, Ltd.

(57) **CLAIM**

The ornamental design for a charger, as shown and described.

DESCRIPTION

FIG. 1 is a perspective view of a charger showing my new design;

FIG. 2 is a front view thereof;

FIG. 3 is a rear view thereof;

FIG. 4 is a left side view thereof;

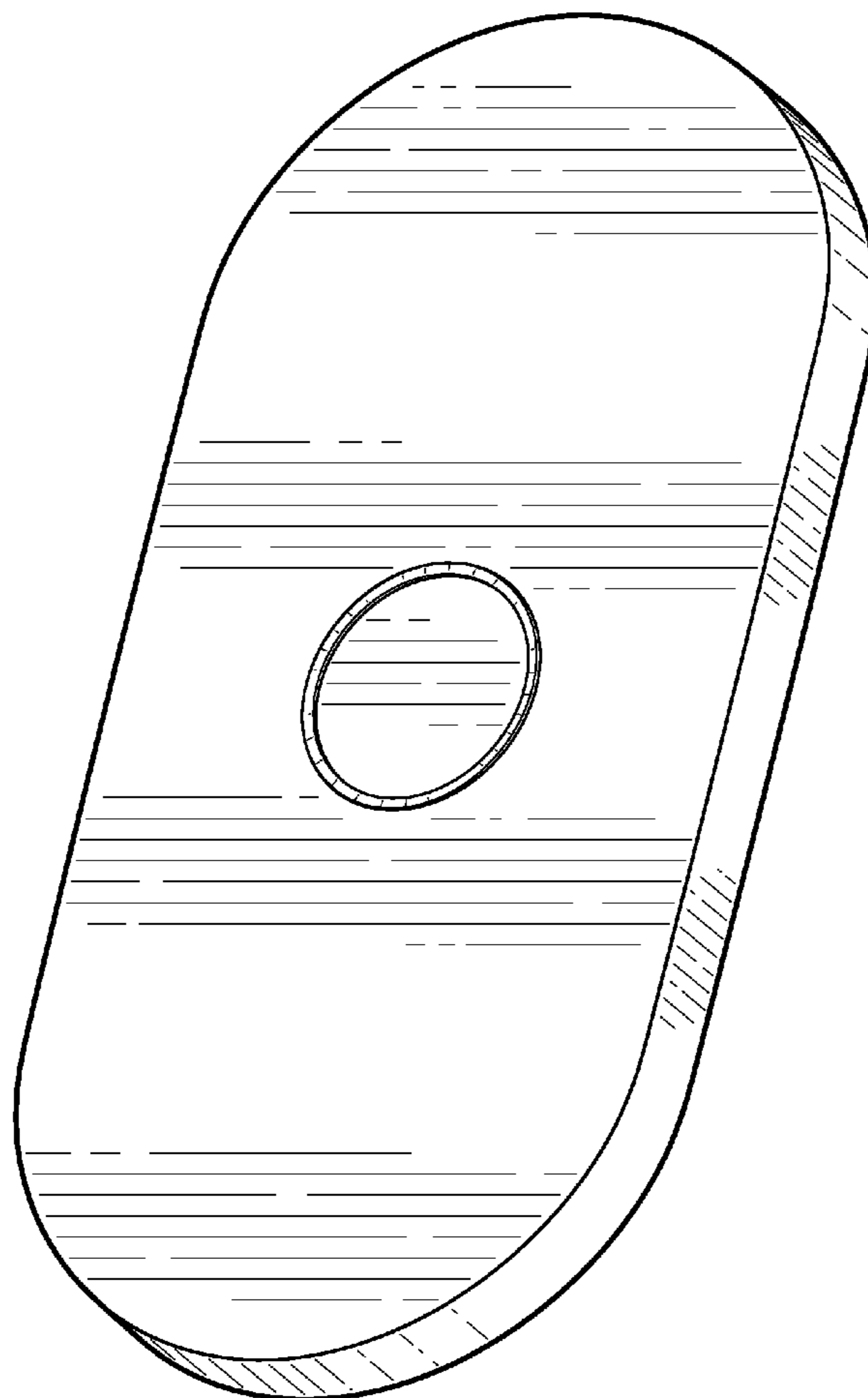
FIG. 5 is a right side view thereof;

FIG. 6 is a top view thereof; and,

FIG. 7 is a bottom view thereof.

The broken lines of the wireless charger and the unshaded regions therein are for illustrative purposes only and form no part of the claimed design.

1 Claim, 5 Drawing Sheets



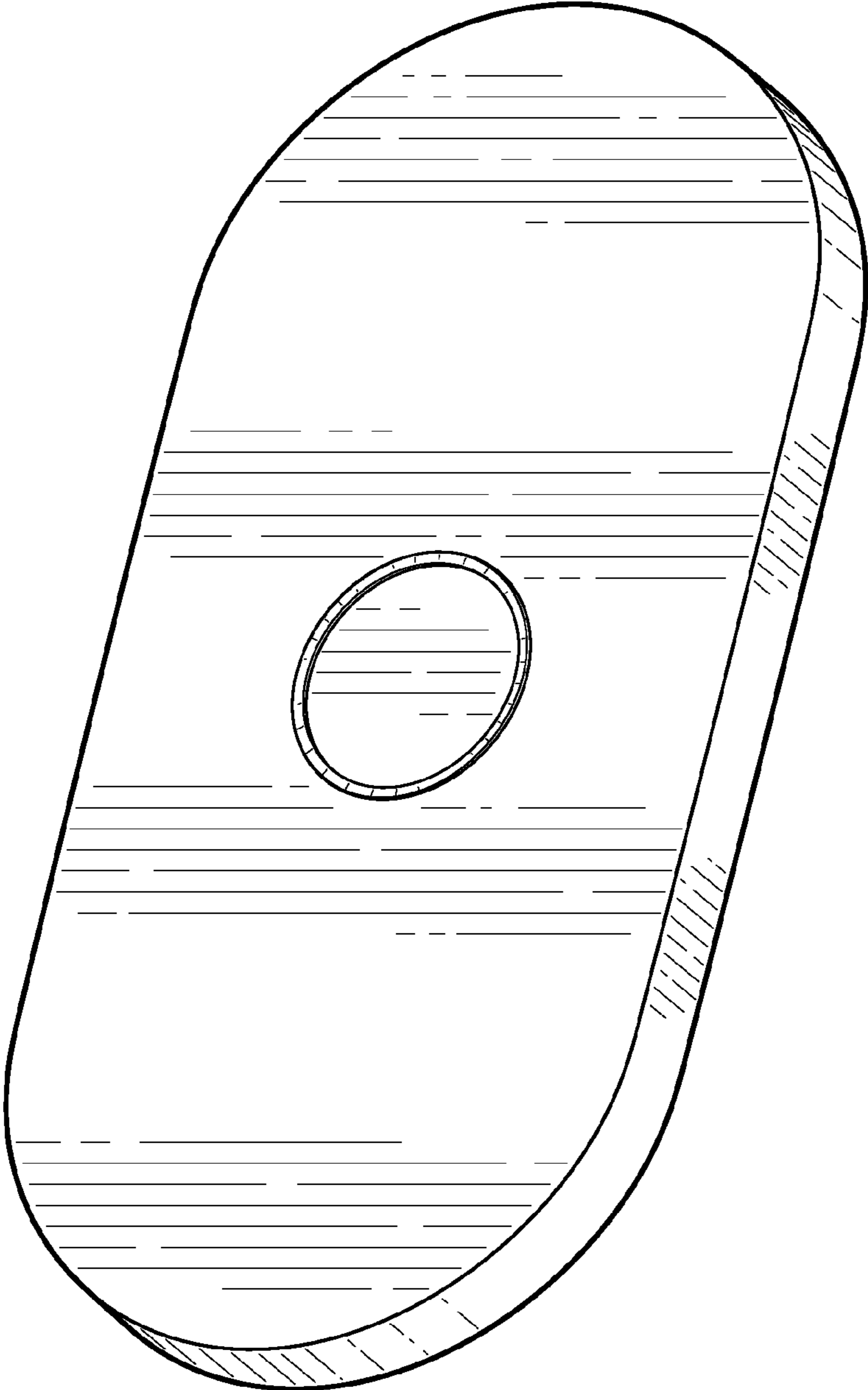


FIG. 1

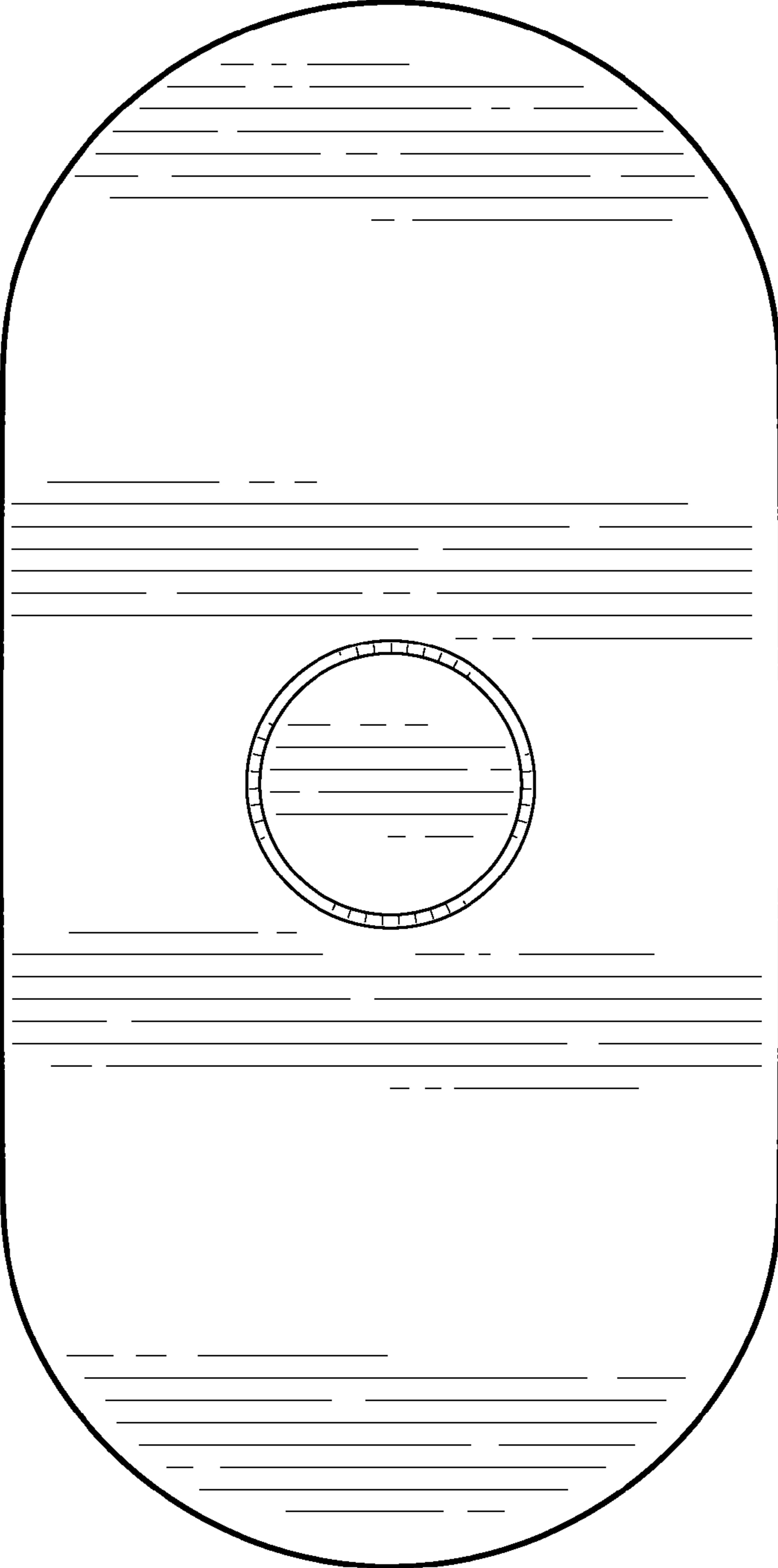


FIG. 2

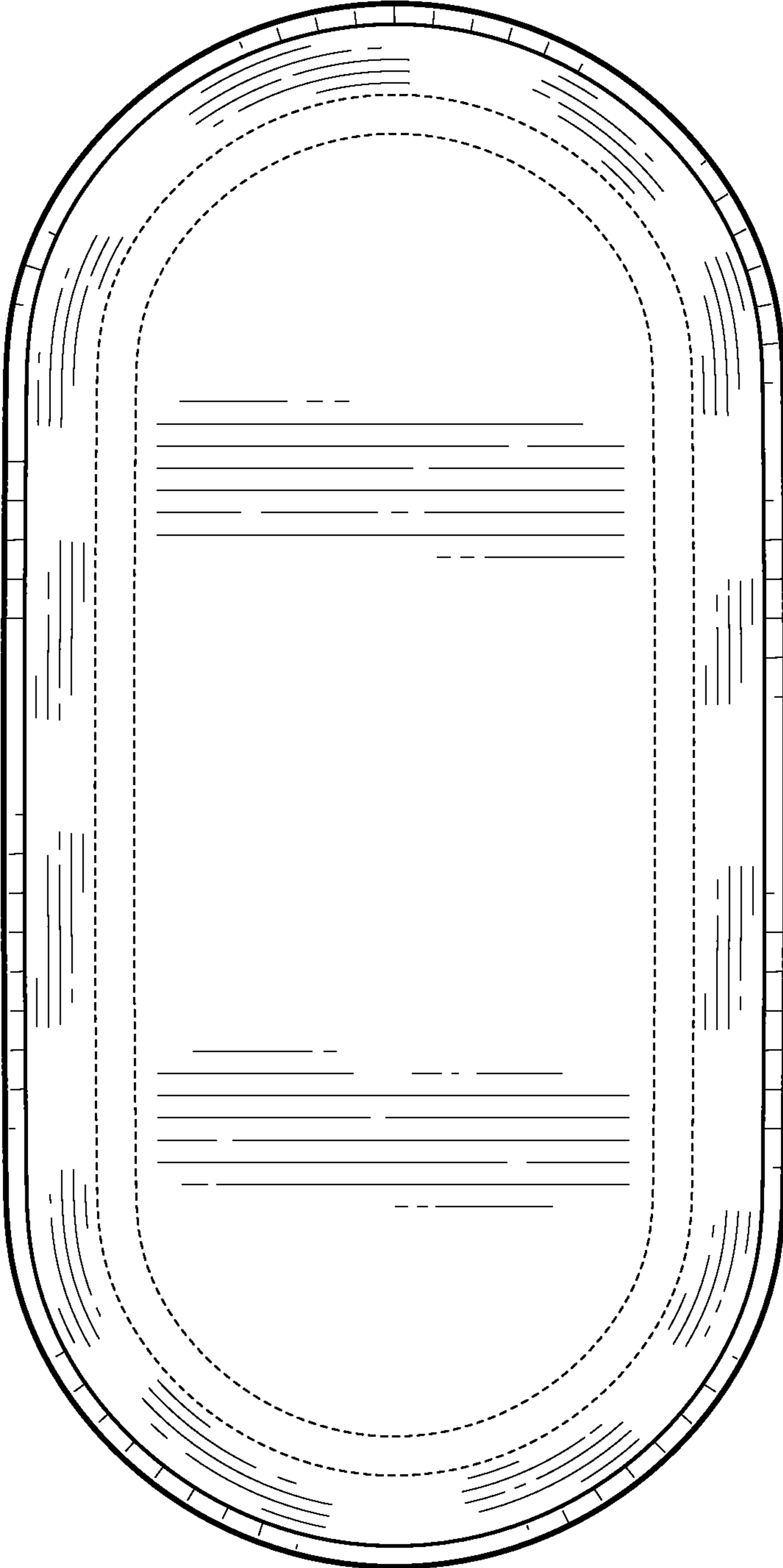


FIG. 3

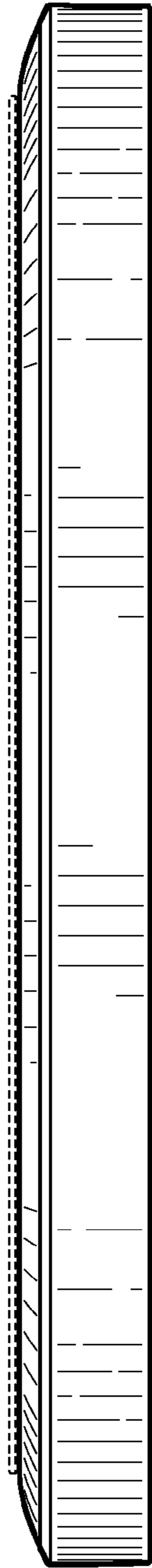


FIG. 4

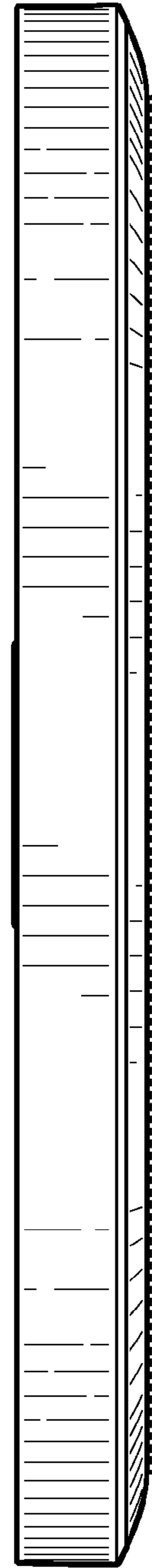


FIG. 5

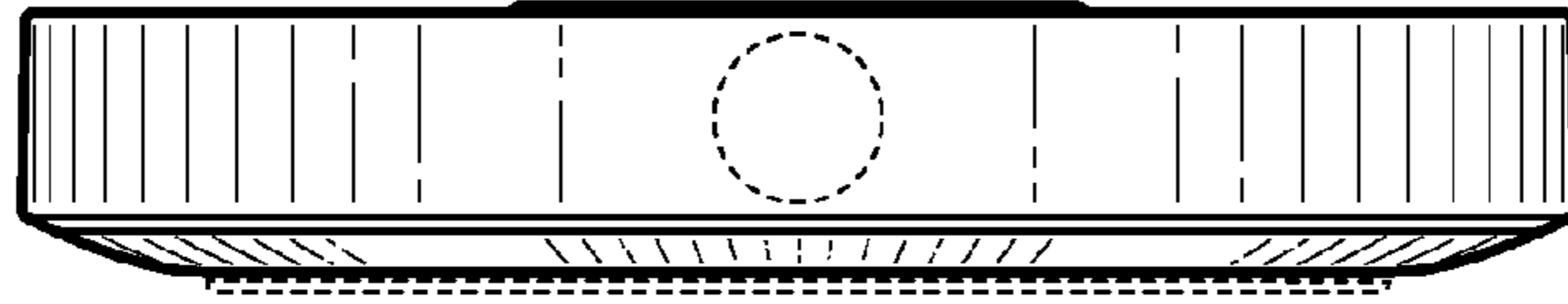


FIG. 6

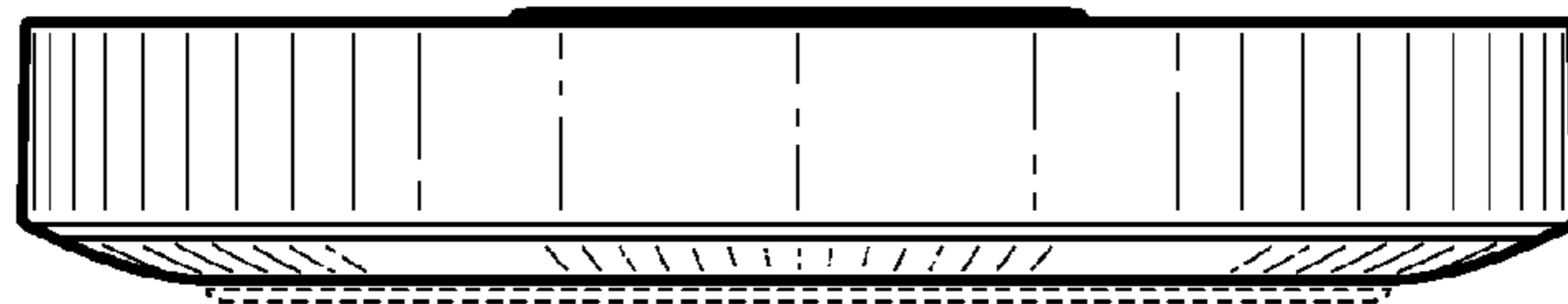


FIG. 7