



US00D682198S

(12) **United States Design Patent**
Vu

(10) **Patent No.:** **US D682,198 S**
(45) **Date of Patent:** **** May 14, 2013**

(54) **BASE FOR A TOOTHBRUSH**

(75) Inventor: **Phong Duy Vu**, Schwalbach (DE)

(73) Assignee: **Braun GmbH**, Kronberg (DE)

(**) Term: **14 Years**

(21) Appl. No.: **29/339,509**

(22) Filed: **Jul. 1, 2009**

(51) **LOC (9) Cl.** **13-02**

(52) **U.S. Cl.**
USPC **D13/108**; D4/199

(58) **Field of Classification Search** D4/101,
D4/108, 116, 199; D6/534; D13/107, 108;
D14/142, 149, 253; 15/DIG. 1; 211/65;
248/110, 111; 320/107, 111-115

See application file for complete search history.

(56) **References Cited**

U.S. PATENT DOCUMENTS

D342,718 S *	12/1993	Mackay	D13/108
D368,373 S *	4/1996	Shimatsu et al.	D4/101
D388,958 S	1/1998	Hartwein		
D500,208 S	12/2004	Vu		
D510,433 S	10/2005	Kling et al.		
D510,662 S	10/2005	Kling et al.		
D524,730 S *	7/2006	Vu	D13/108
D548,179 S *	8/2007	Vu et al.	D13/108
D563,674 S	3/2008	Beedham		
D577,667 S	9/2008	Beedham		
D578,475 S	10/2008	Beedham		
D580,173 S	11/2008	Beedham		
D634,268 S *	3/2011	Reishus et al.	D13/108
D640,193 S *	6/2011	Shigeno et al.	D13/108

FOREIGN PATENT DOCUMENTS

DE 20118983 U1 * 4/2000

OTHER PUBLICATIONS

CN 3490506 Registered Design Application, (Quan Yahe) Dec. 7, 2005, [online], [retrieved on Jul. 17, 2011] Retrieved from the Questel Intellectual Property Portal Design Database using the Internet: <URL: http://www.orbit.com>.*
De 402008004106-0006 Registered Design Application (Duy Phong Vu) Nov. 21, 2008, [online], [retrieved on Jul. 12, 2011]. Retrieved from the Designs Register of the German Patent and Trade Mark Office using the Internet: <URL: http://register.dmpa.de>.*

* cited by examiner

Primary Examiner — Melanie H Tung

Assistant Examiner — Lavone D Tabor

(74) *Attorney, Agent, or Firm* — John P. Colbert; Vladimir Vittenberg

(57) **CLAIM**

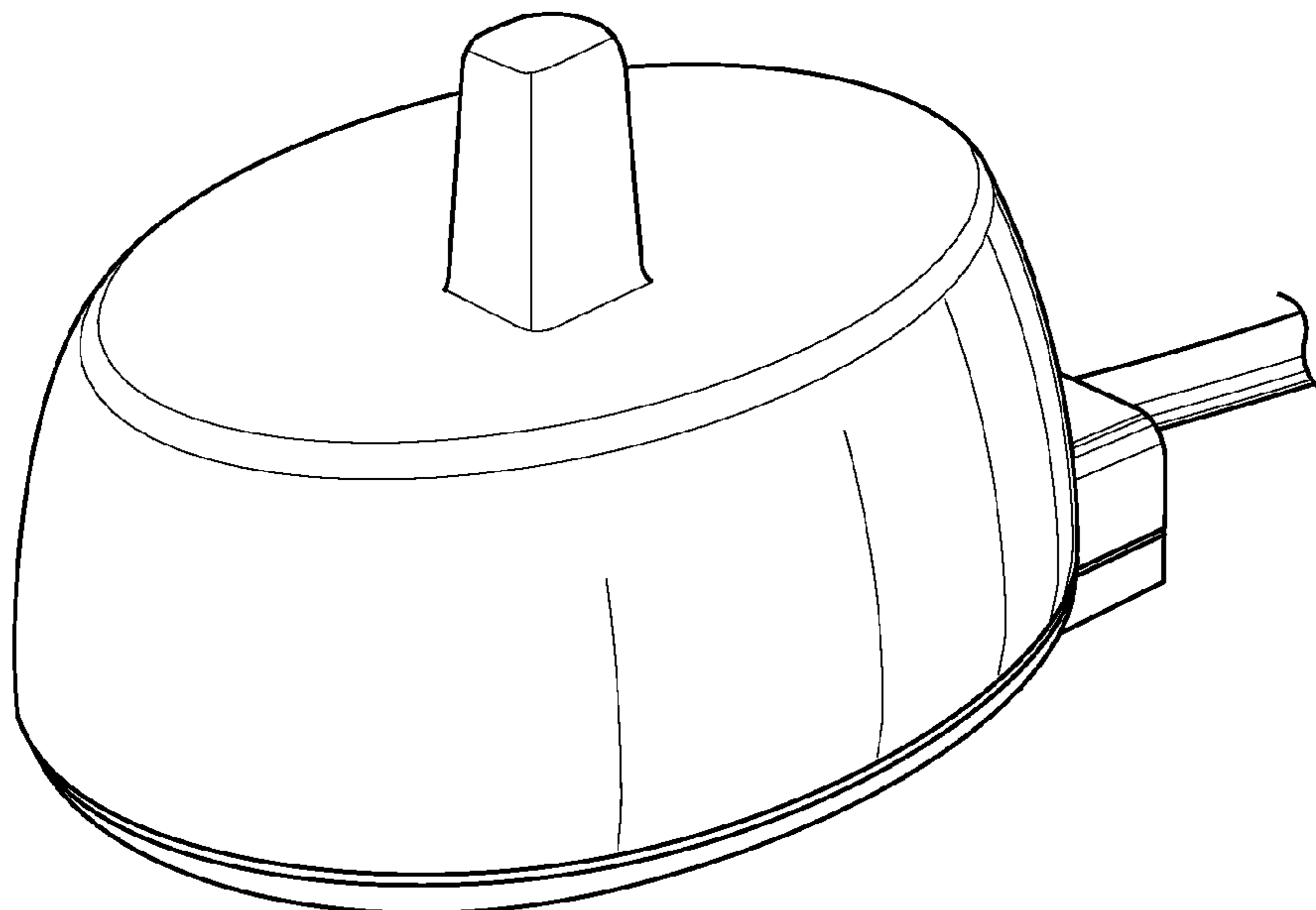
The ornamental design for a base for a toothbrush, as shown and described.

DESCRIPTION

FIG. 1 is a perspective view of a base for a toothbrush showing my new design;
FIG. 2 is a rear view thereof;
FIG. 3 is a front view thereof;
FIG. 4 is a reduced perspective view thereof, showing, in broken lines, a toothbrush disposed on the base;
FIG. 5 is a left side view thereof;
FIG. 6 is a right side view thereof; and,
FIG. 7 is a top view thereof.

The dashed / dotted / broken lines are for illustrative purposes only and form no part of the claimed design.

1 Claim, 7 Drawing Sheets



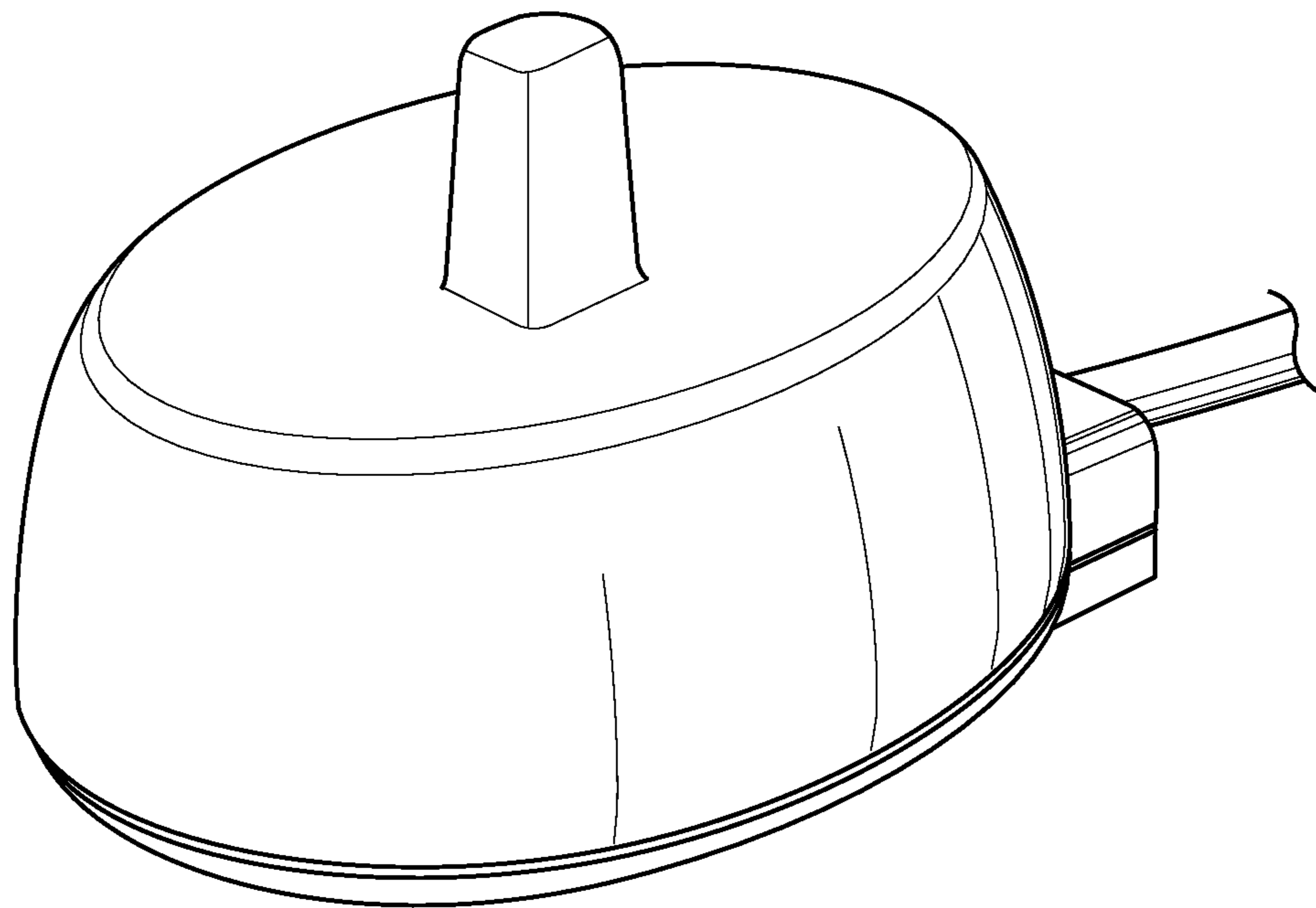


Fig. 1

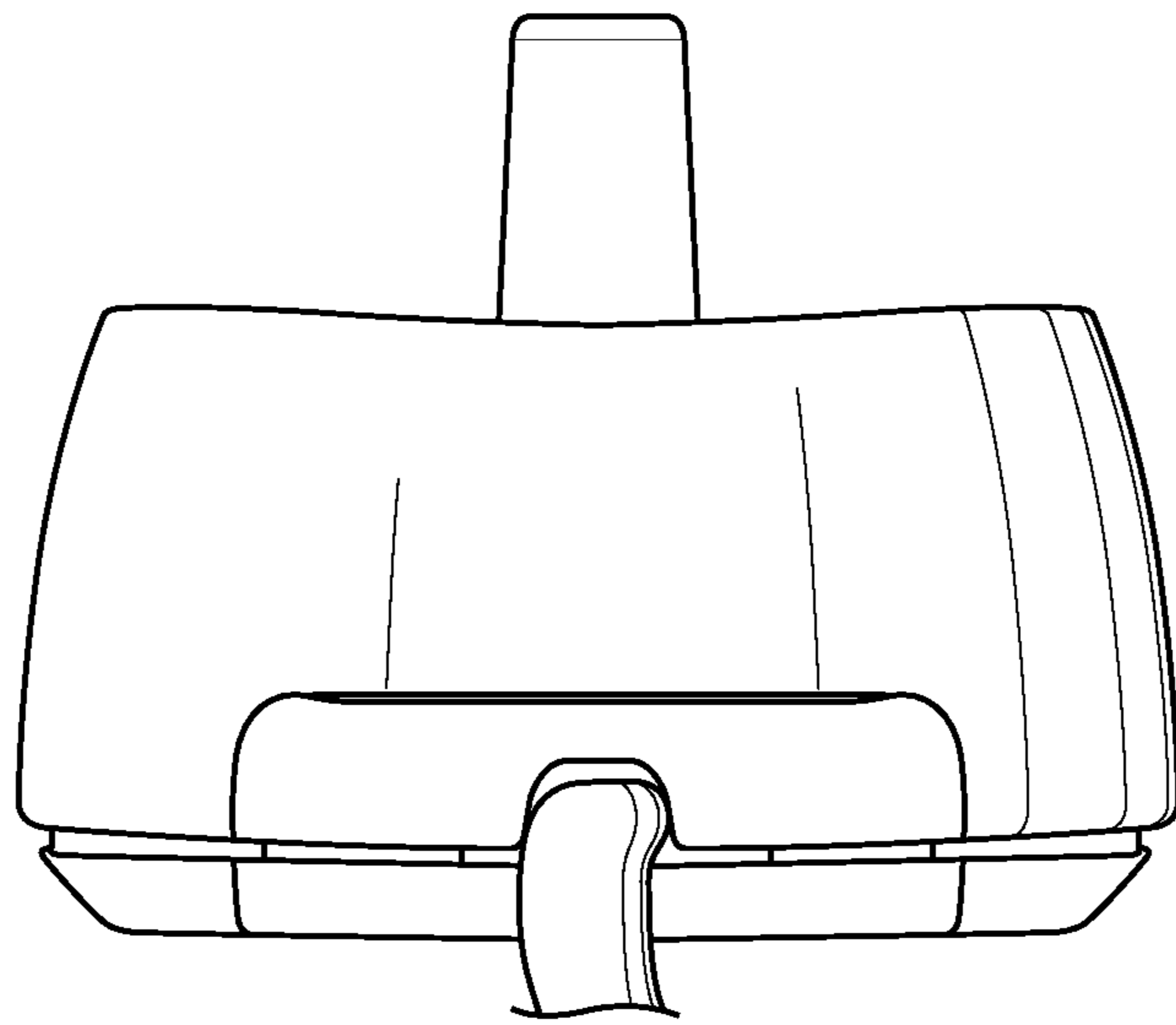


Fig. 2

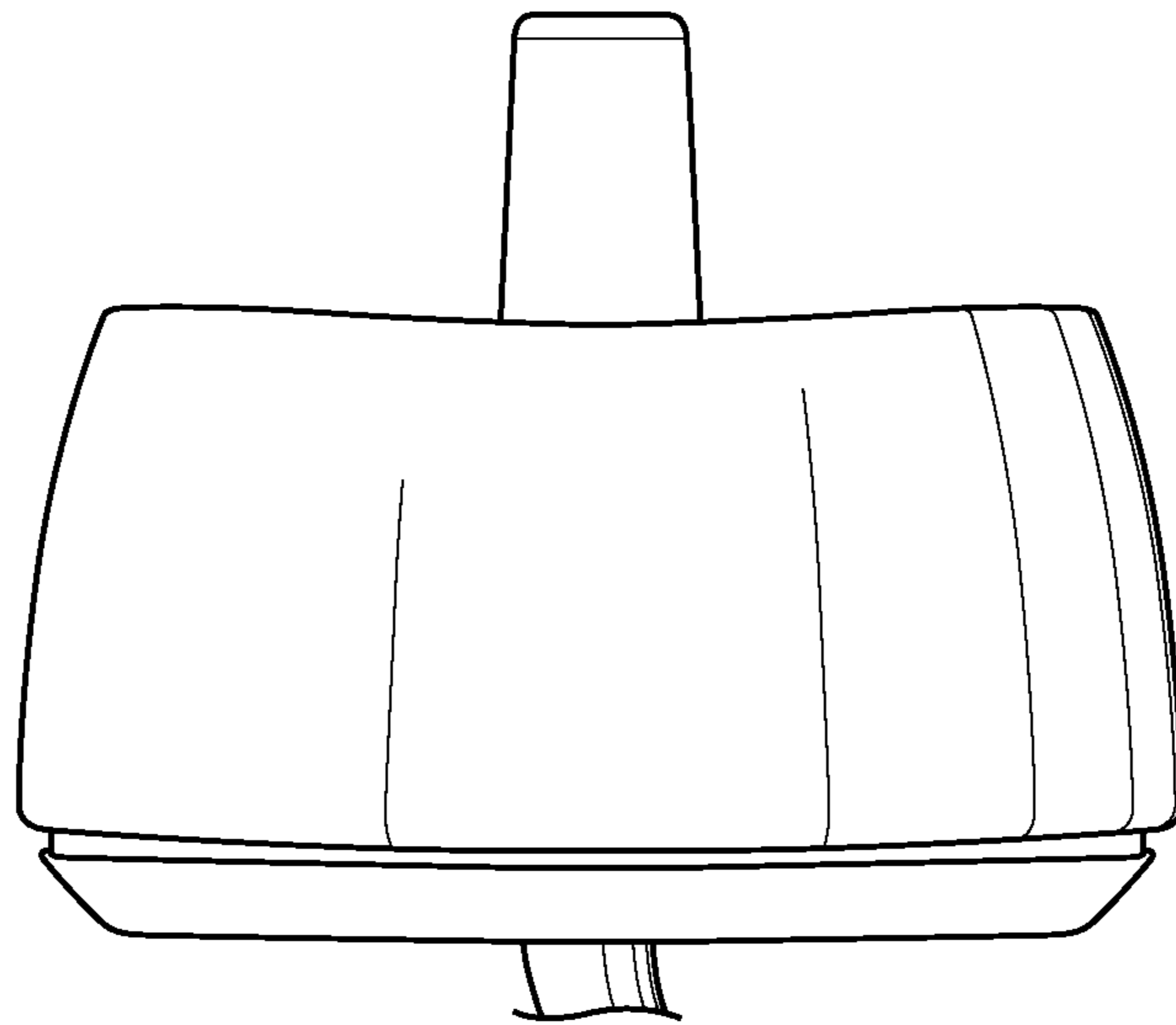


Fig. 3

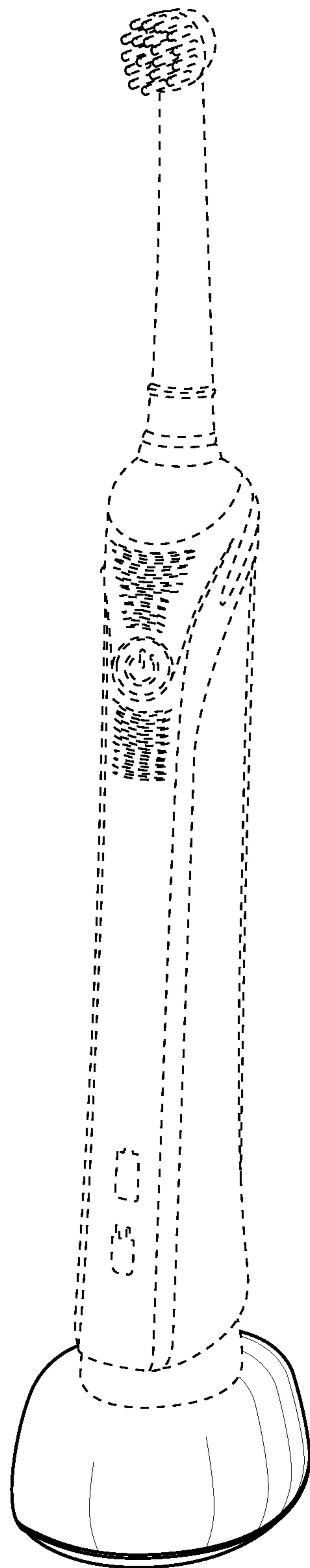


Fig. 4

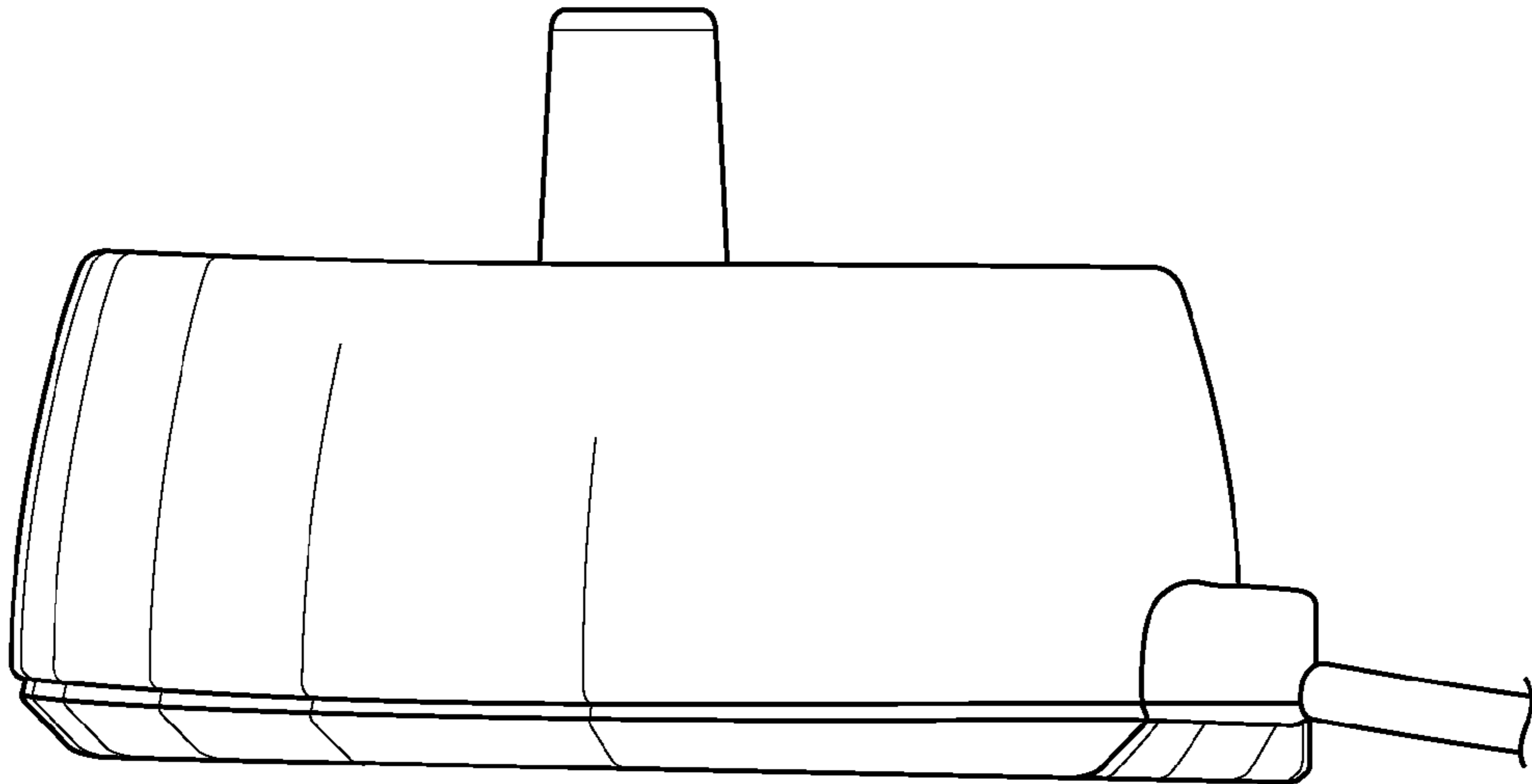


Fig. 5

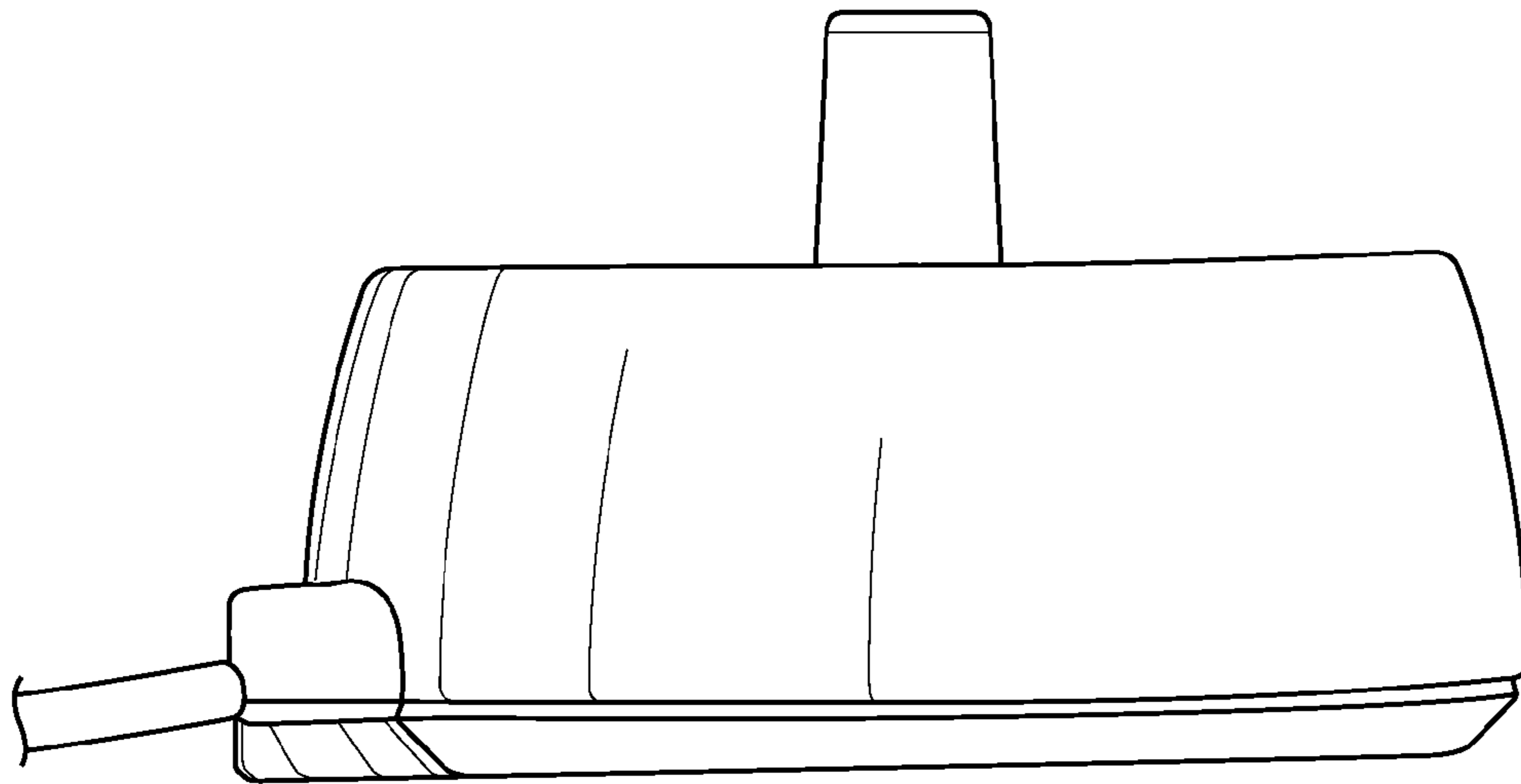


Fig. 6

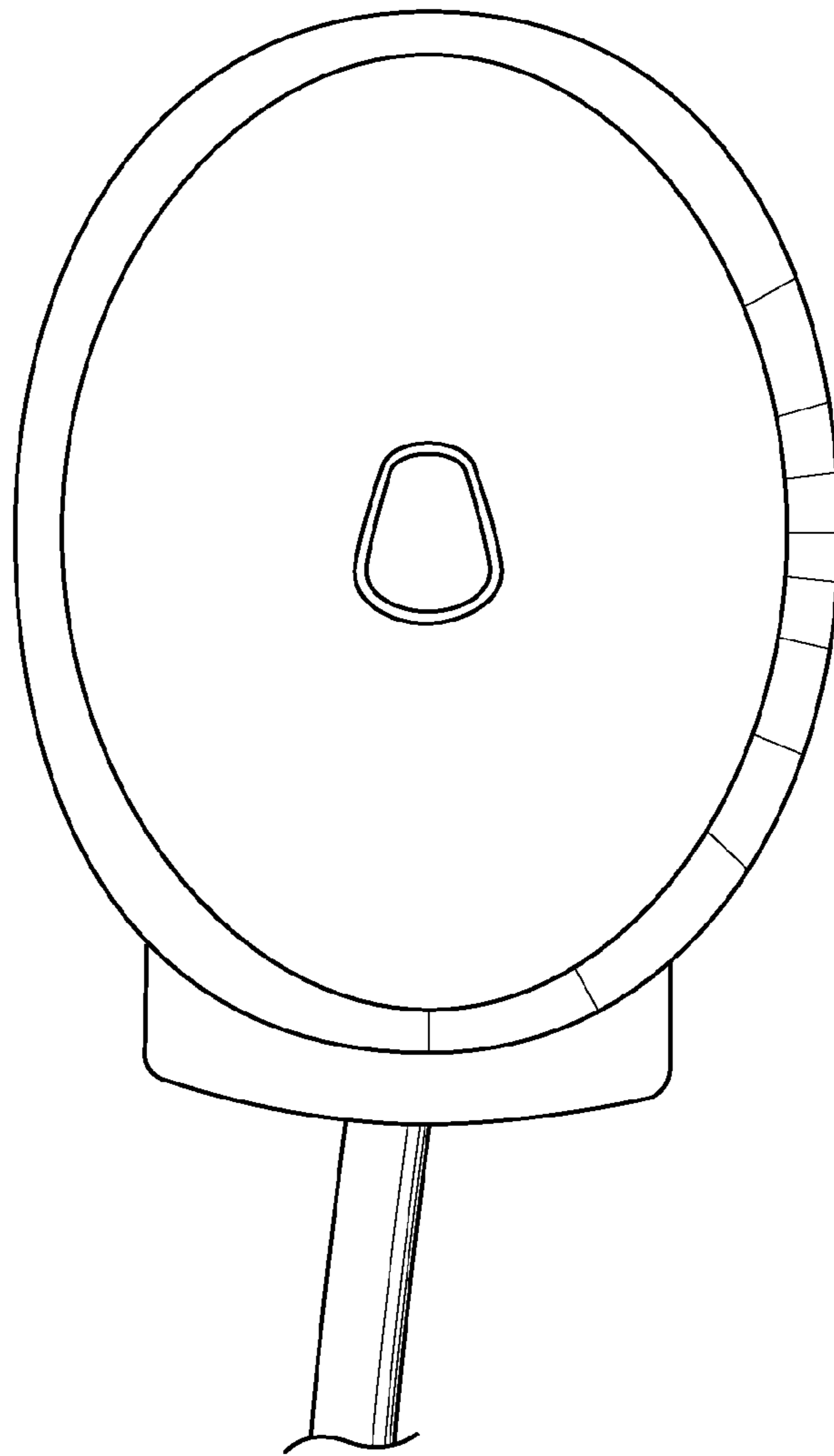


Fig. 7