



US00D682197S

(12) **United States Design Patent**  
**Leung**

(10) **Patent No.:** **US D682,197 S**

(45) **Date of Patent:** **\*\* May 14, 2013**

(54) **BATTERY PACK**

**DESCRIPTION**

(71) Applicant: **Globexpress Co. Limited, DBA HKGE US Inc,** Hong Kong (HK)

(72) Inventor: **Yan Kwong Leung,** Hong Kong (HK)

(\*\*) Term: **14 Years**

(21) Appl. No.: **29/436,547**

(22) Filed: **Nov. 7, 2012**

(51) **LOC (9) Cl.** ..... **13-02**

(52) **U.S. Cl.**

USPC ..... **D13/103; D13/108**

(58) **Field of Classification Search** ..... D13/102–108,  
D13/110, 118–121, 184, 199; 429/96–100,  
429/163, 176

See application file for complete search history.

(56) **References Cited**

**U.S. PATENT DOCUMENTS**

D246,240 S *	11/1977	Hansen	.....	D13/103
D383,115 S *	9/1997	Nagele et al.	.....	D13/110
D555,586 S *	11/2007	McConnell	.....	D13/103
D556,678 S *	12/2007	Weinstein et al.	.....	D13/103
D556,679 S *	12/2007	Weinstein et al.	.....	D13/103
D570,772 S *	6/2008	Mahaffey et al.	.....	D13/110
7,746,029 B2 *	6/2010	Toya	.....	320/107
D628,535 S *	12/2010	Cheng	.....	D13/108
D639,736 S *	6/2011	Su	.....	D13/110
D662,050 S *	6/2012	Tien	.....	D13/108
D674,748 S *	1/2013	Ferber et al.	.....	D13/108

\* cited by examiner

*Primary Examiner* — Rosemary K Tarcza

(57) **CLAIM**

The ornamental design for a battery pack, as shown and described.

FIG. 1 is an elevated bottom left perspective view of a black and white battery pack with a black embedded micro-USB cable showing my new design;

FIG. 2 is an elevated top left perspective view thereof;

FIG. 3 is a top plan view thereof;

FIG. 4 is a front elevational view thereof;

FIG. 5 is a bottom plan view thereof;

FIG. 6 is a left side elevational view thereof;

FIG. 7 is a right side elevational view thereof;

FIG. 8 is a back side elevational view thereof; and,

FIG. 9 is an elevated bottom right perspective view showing the embedded micro-USB output cable extending from the battery pack.

FIG. 10 is an elevated bottom left perspective view of a white and silver battery pack with a black embedded micro-USB cable showing my new design;

FIG. 11 is an elevated top left perspective view thereof;

FIG. 12 is a top plan view thereof;

FIG. 13 is a front elevational view thereof;

FIG. 14 is a bottom plan view thereof;

FIG. 15 is a left side elevational view thereof;

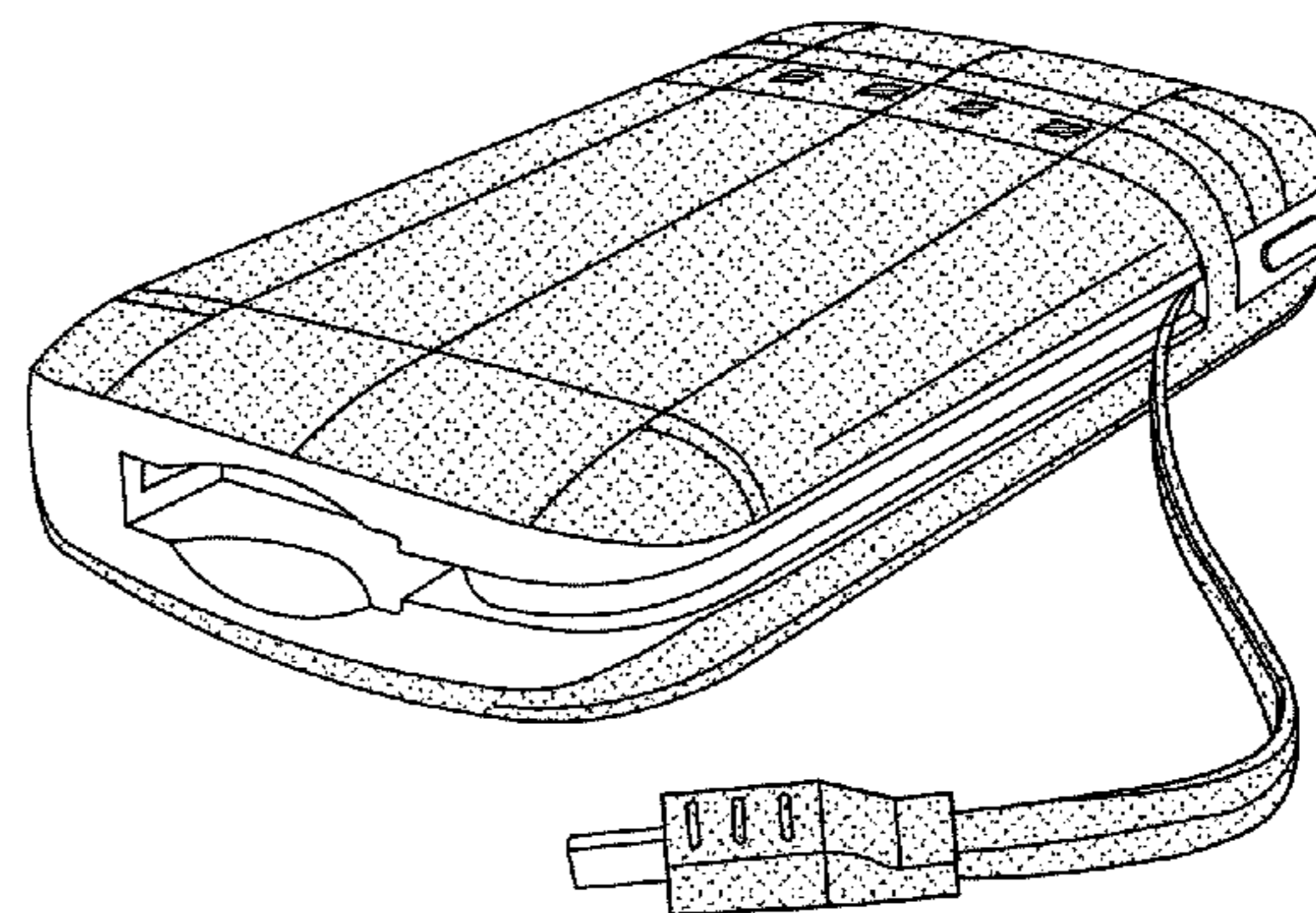
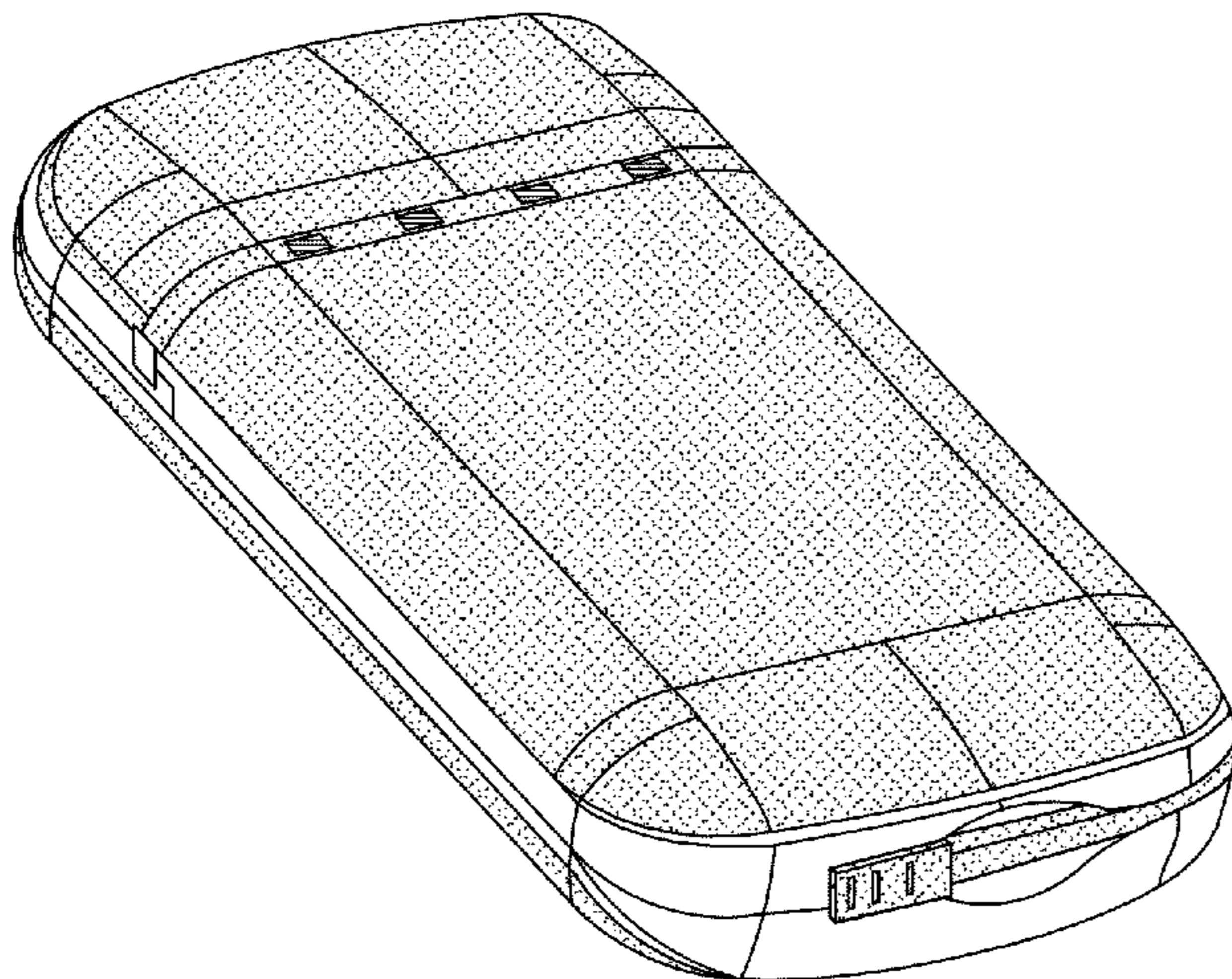
FIG. 16 is a right side elevational view thereof;

FIG. 17 is a back side elevational view thereof; and,

FIG. 18 is an elevated bottom right perspective view showing the embedded micro-USB output cable extending from the battery pack.

The design includes shaded areas that represent color. Areas depicted in stippling represent the color black. Areas depicted in dotted lines represent the color silver. Areas of no shading represent the color white. And the four hatched areas on the front plan view represent colored lights, namely blue LED lights.

**1 Claim, 18 Drawing Sheets**



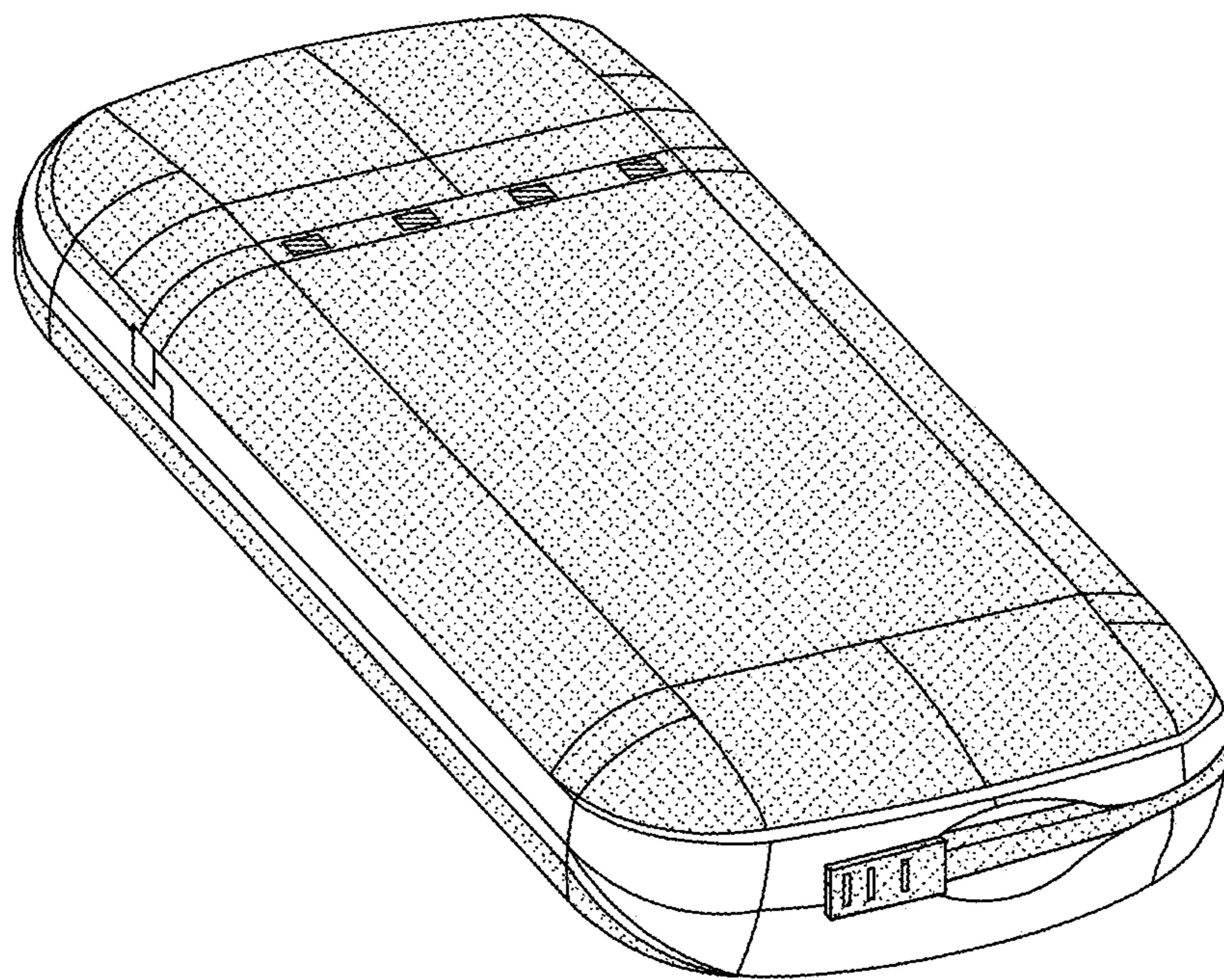


FIG. 1

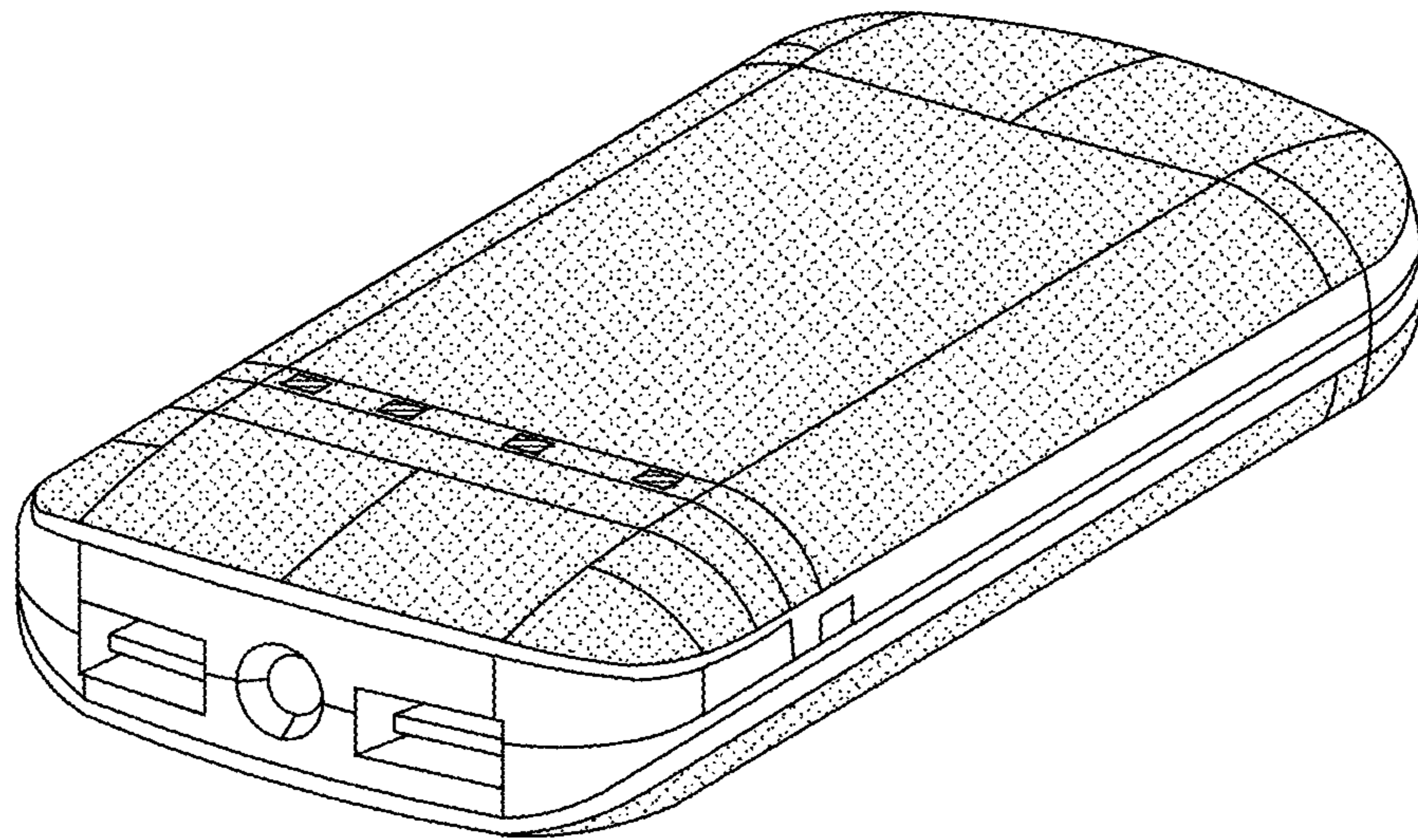


FIG. 2

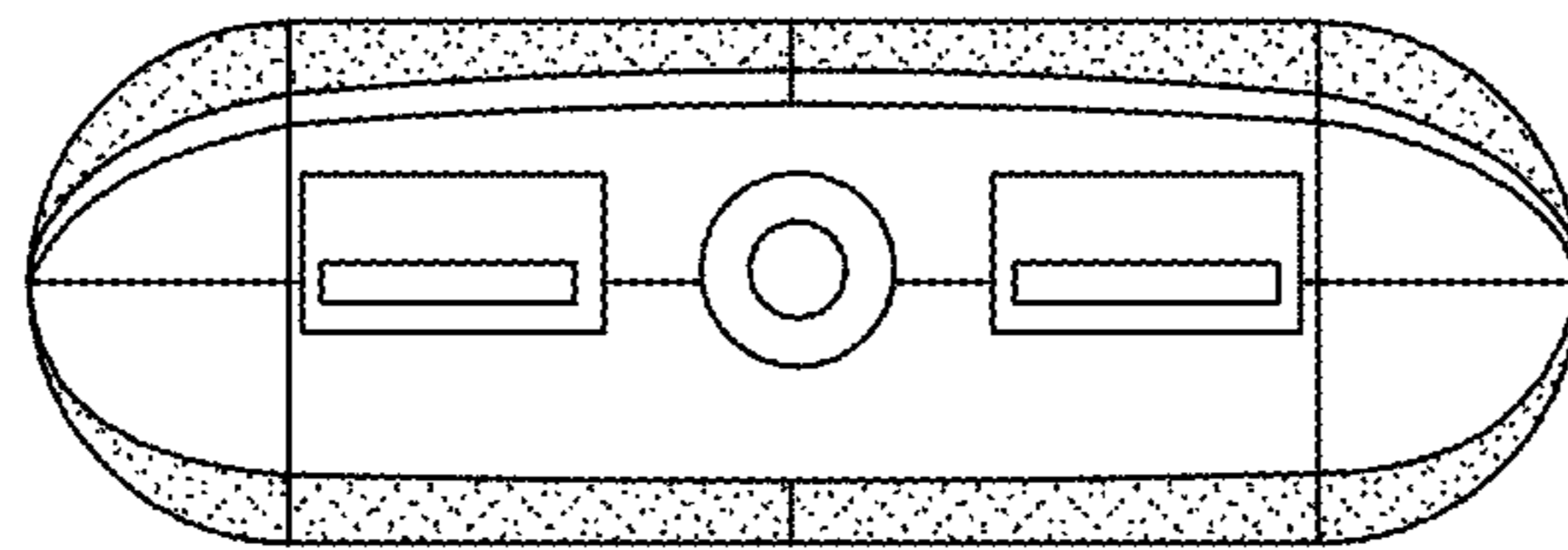


FIG. 3

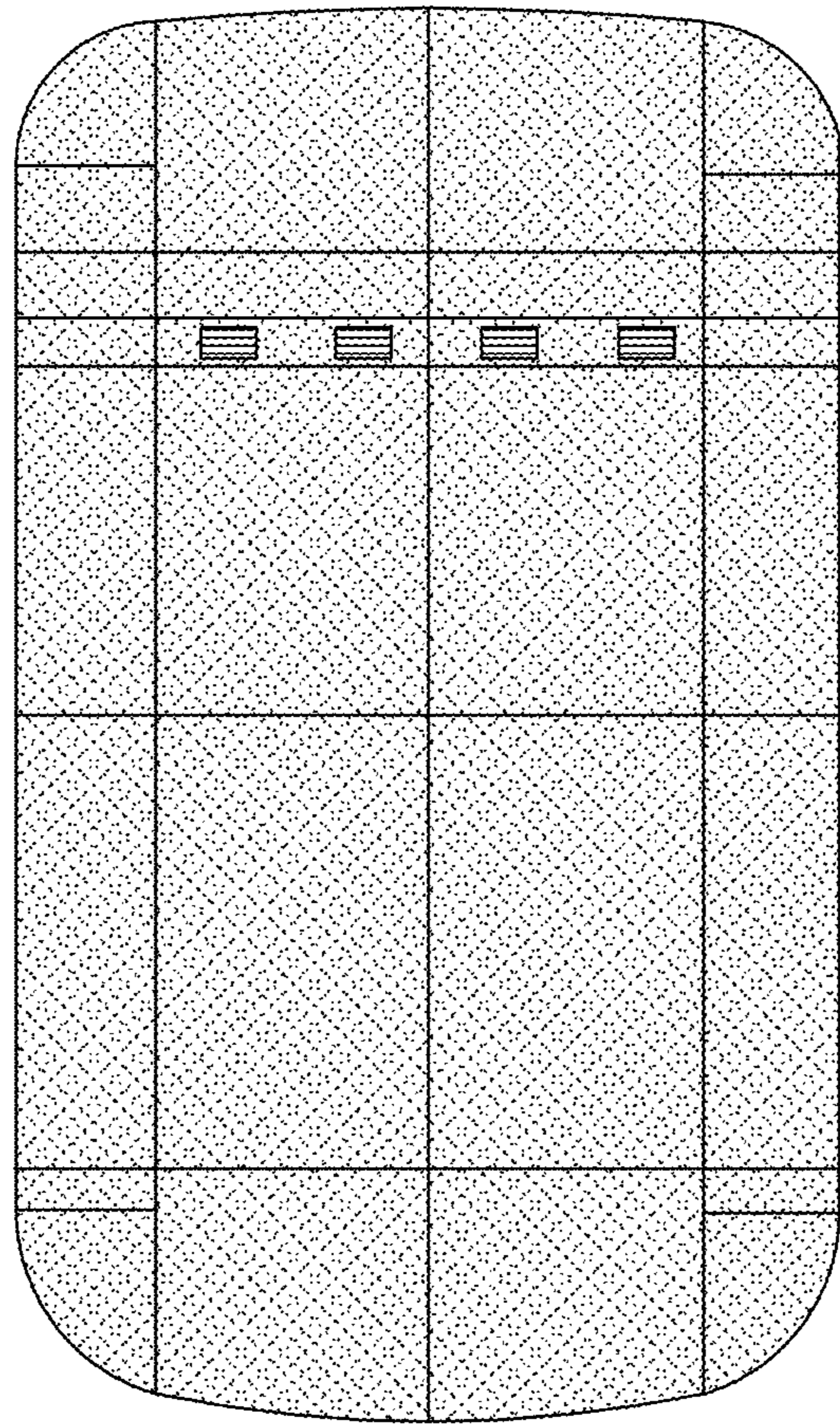


FIG. 4

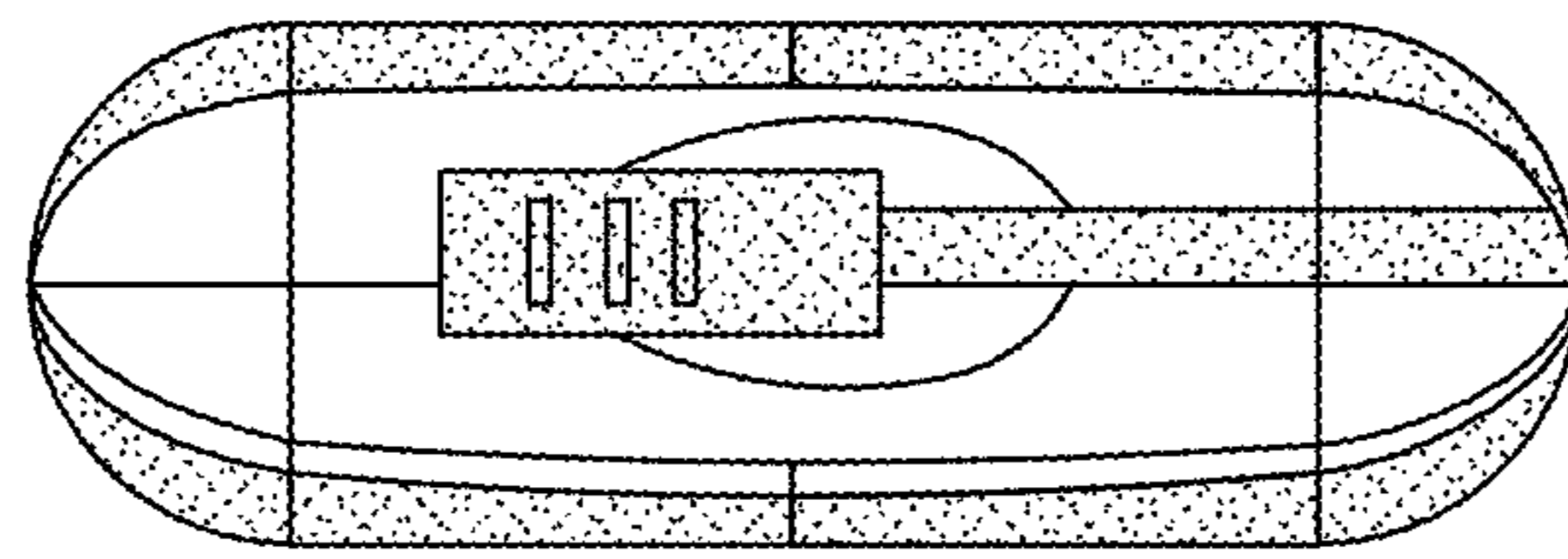


FIG. 5

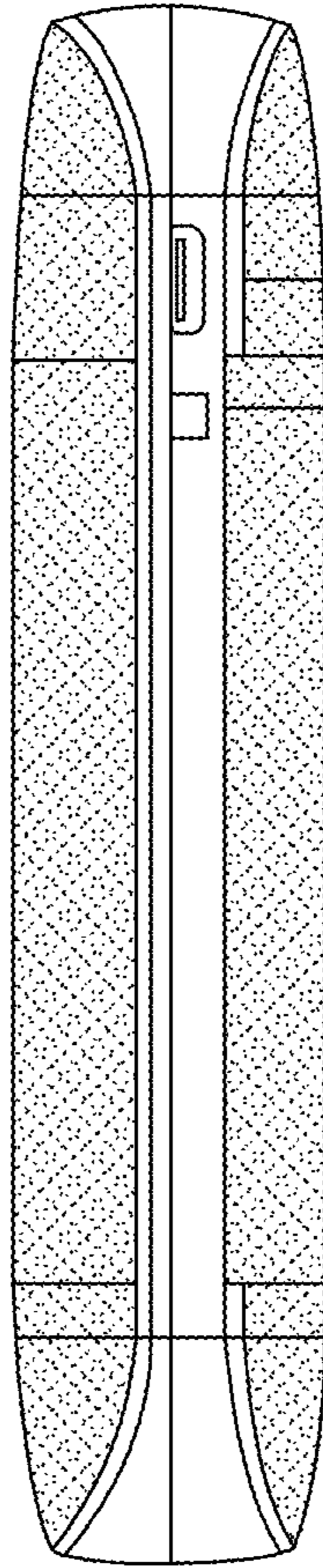


FIG. 6

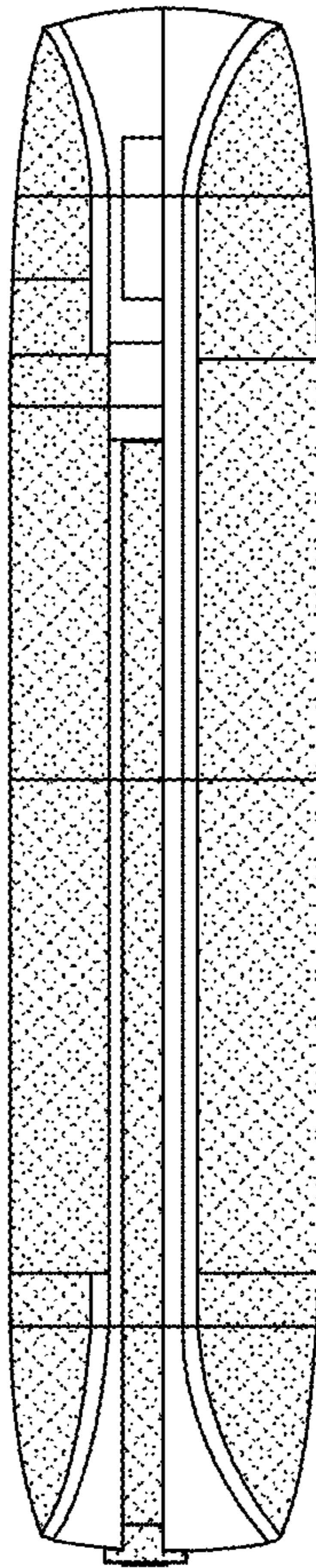


FIG. 7



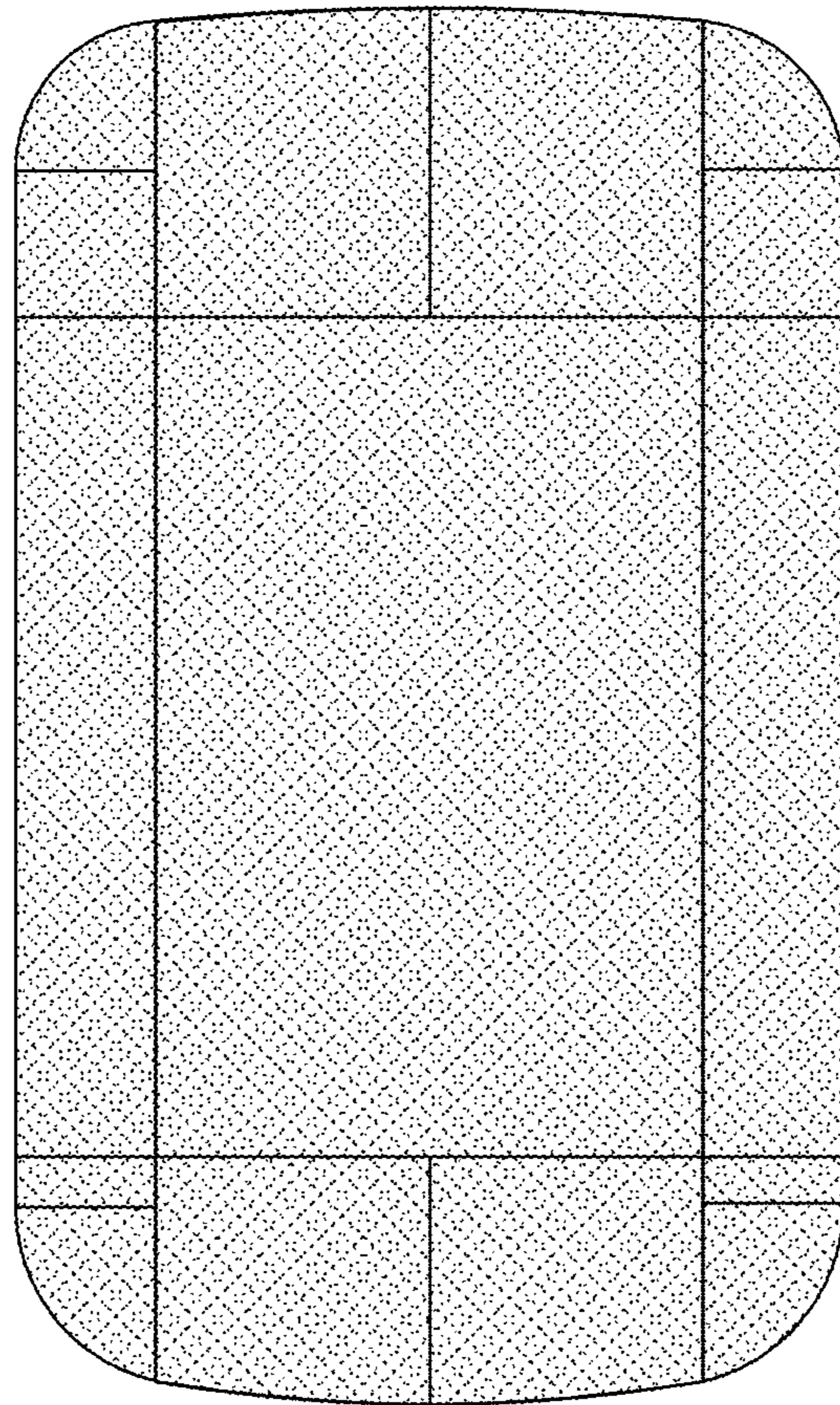


FIG. 8

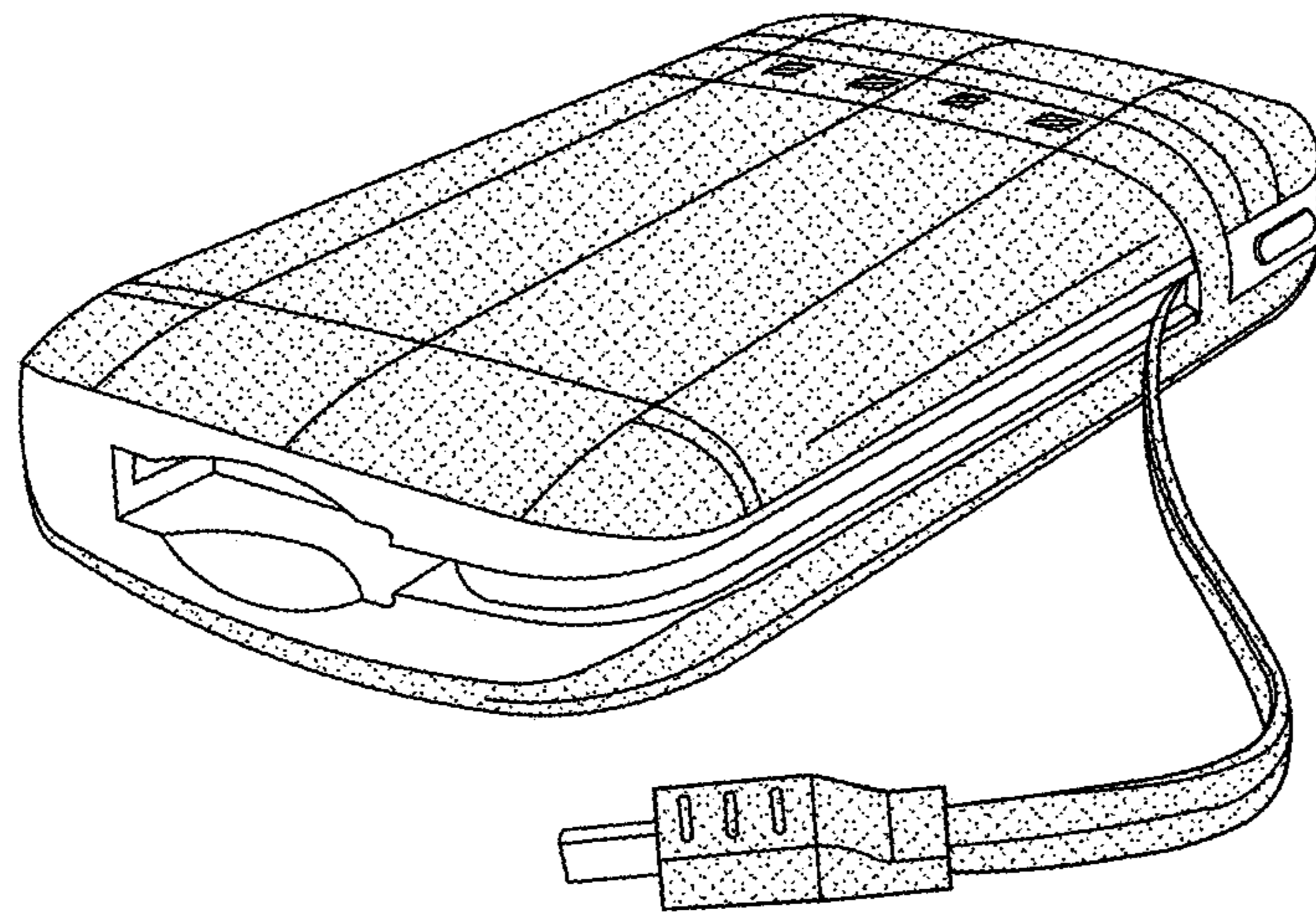


FIG. 9

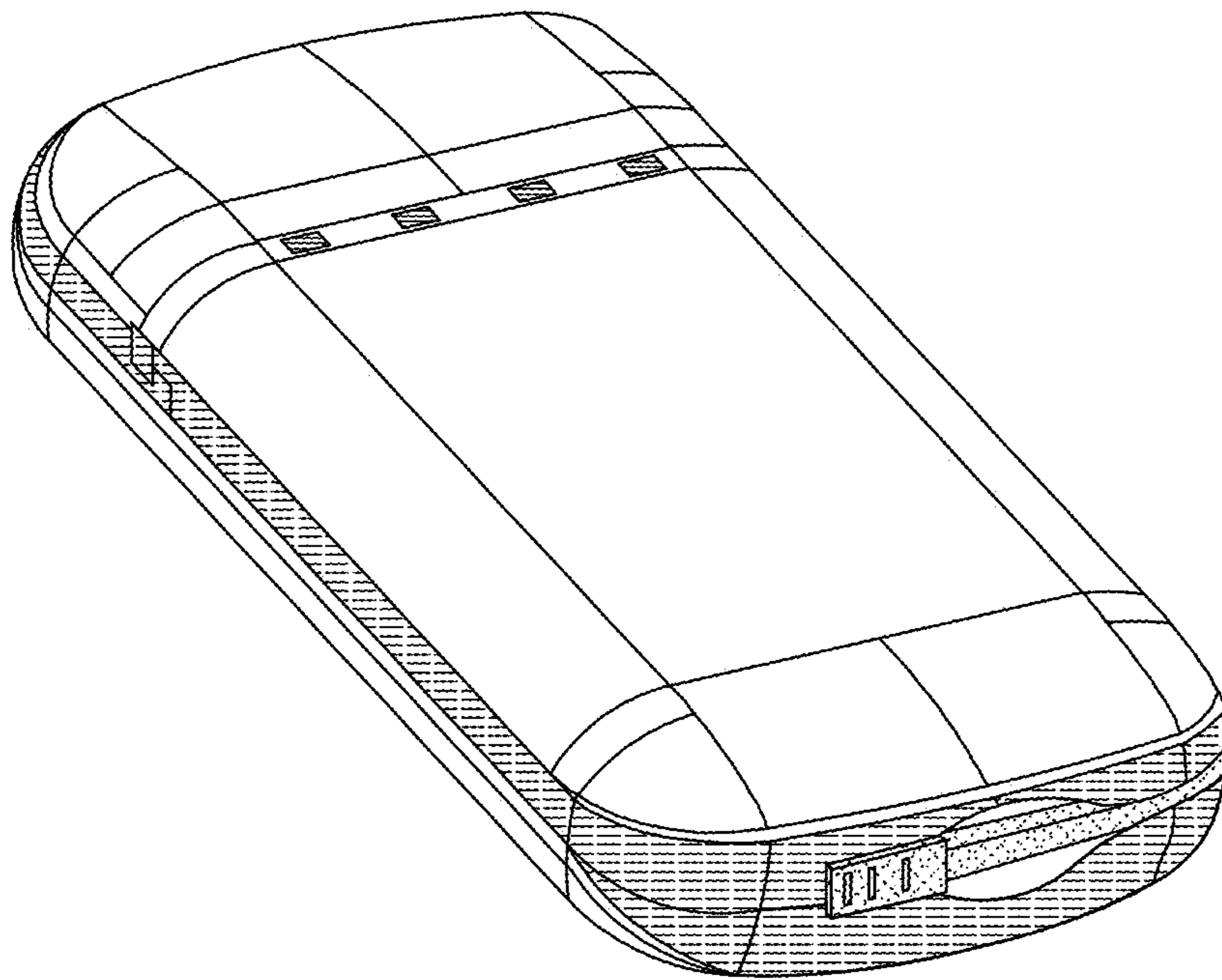


FIG. 10

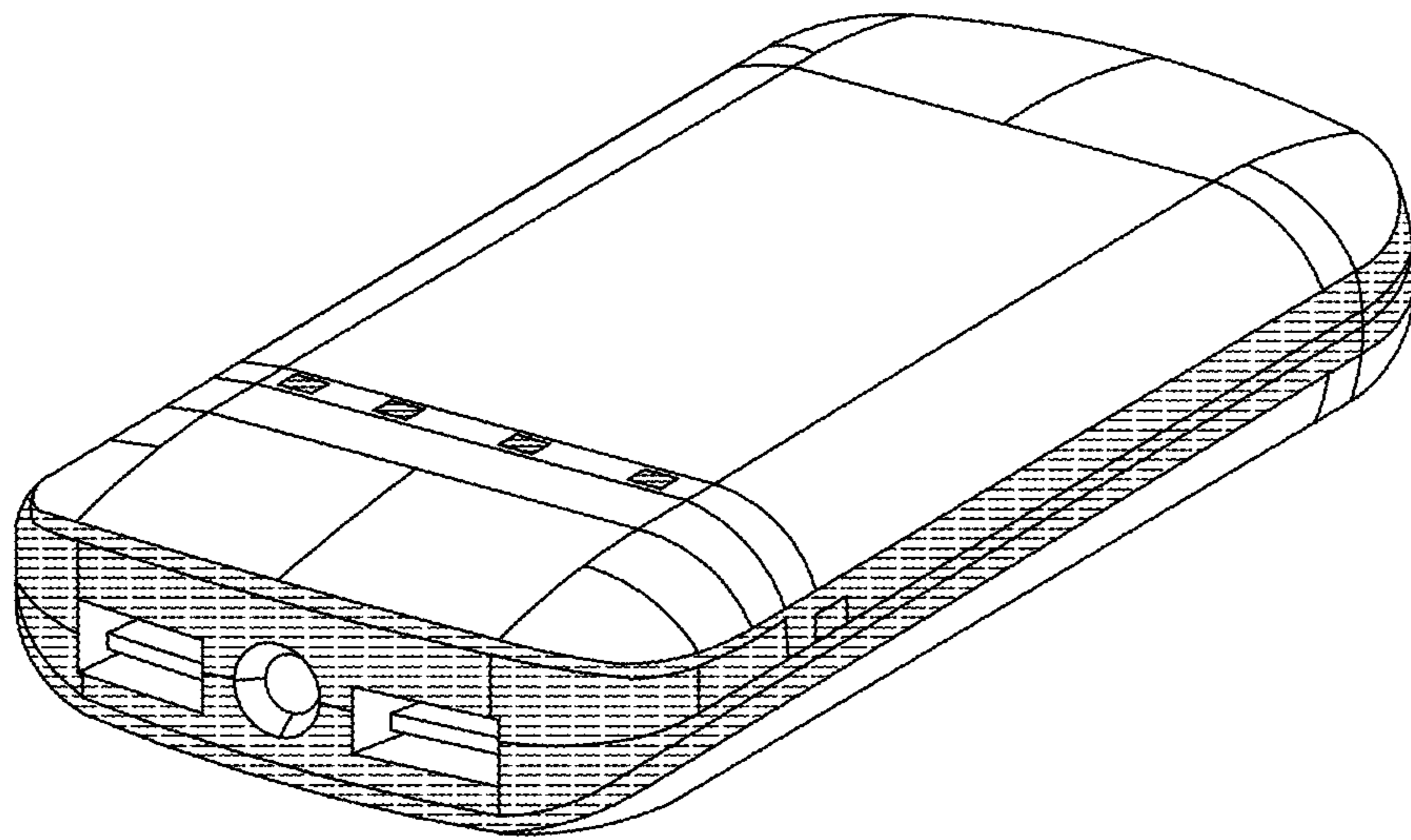


FIG. 11

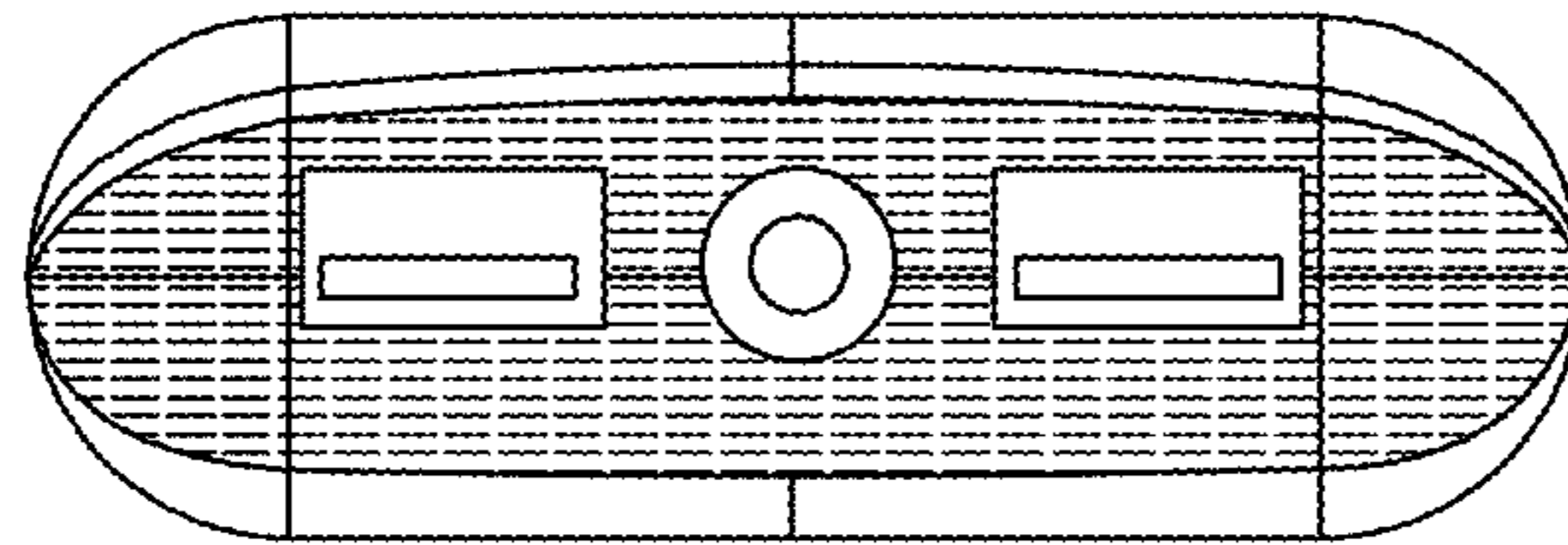


FIG. 12

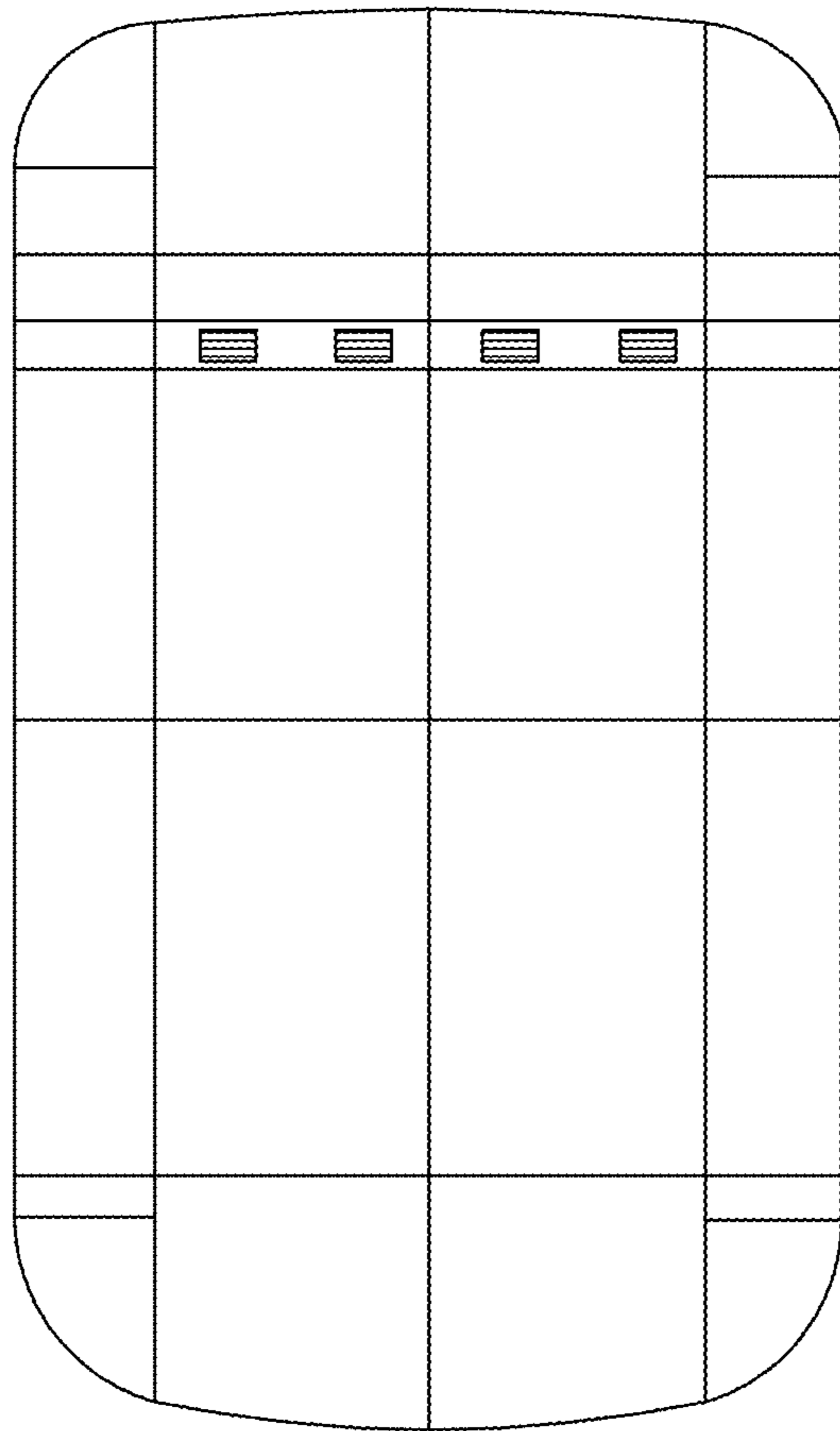


FIG. 13

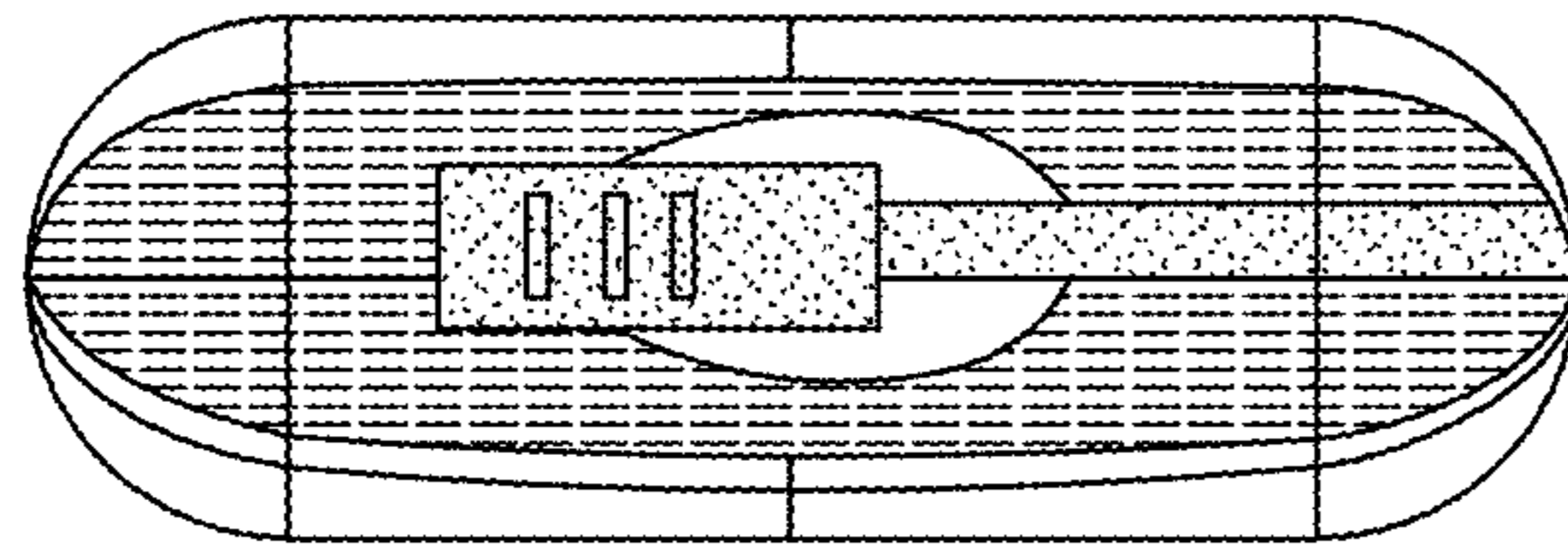


FIG. 14

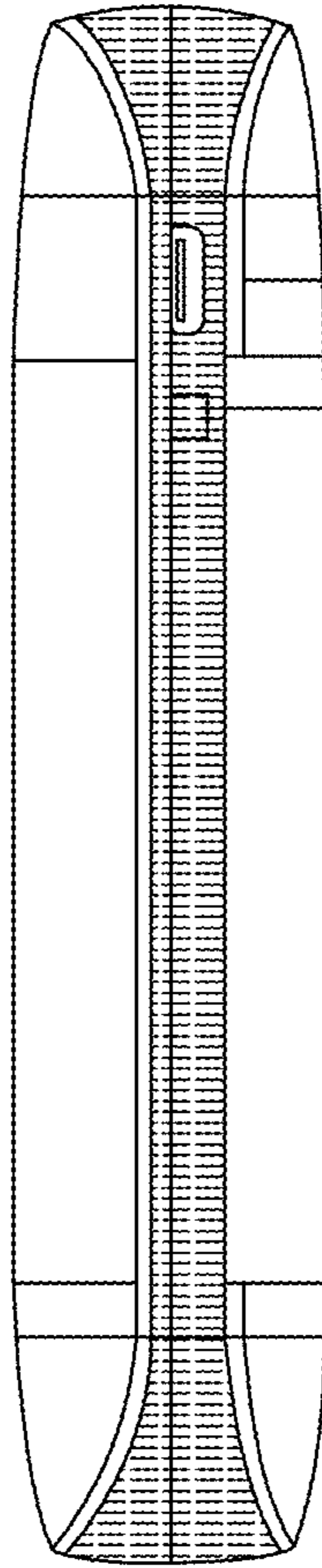


FIG. 15



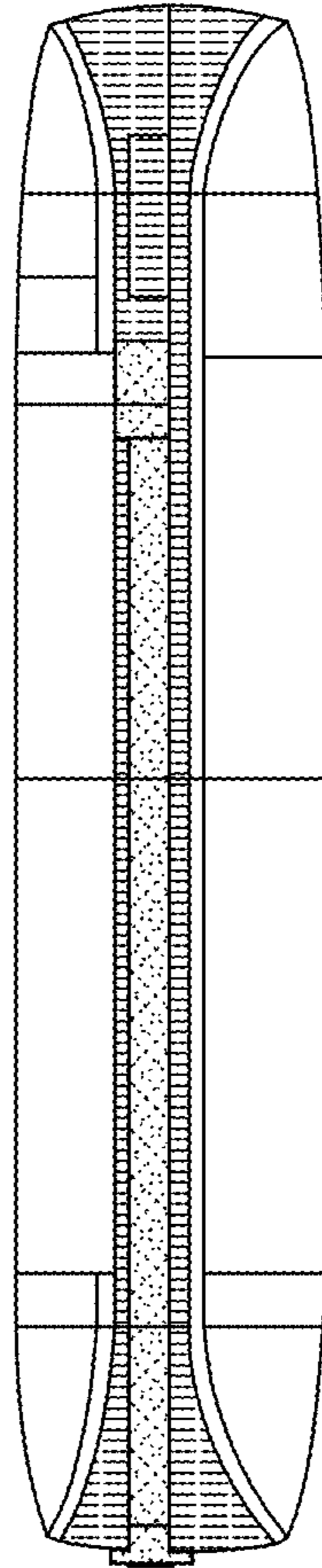


FIG. 16

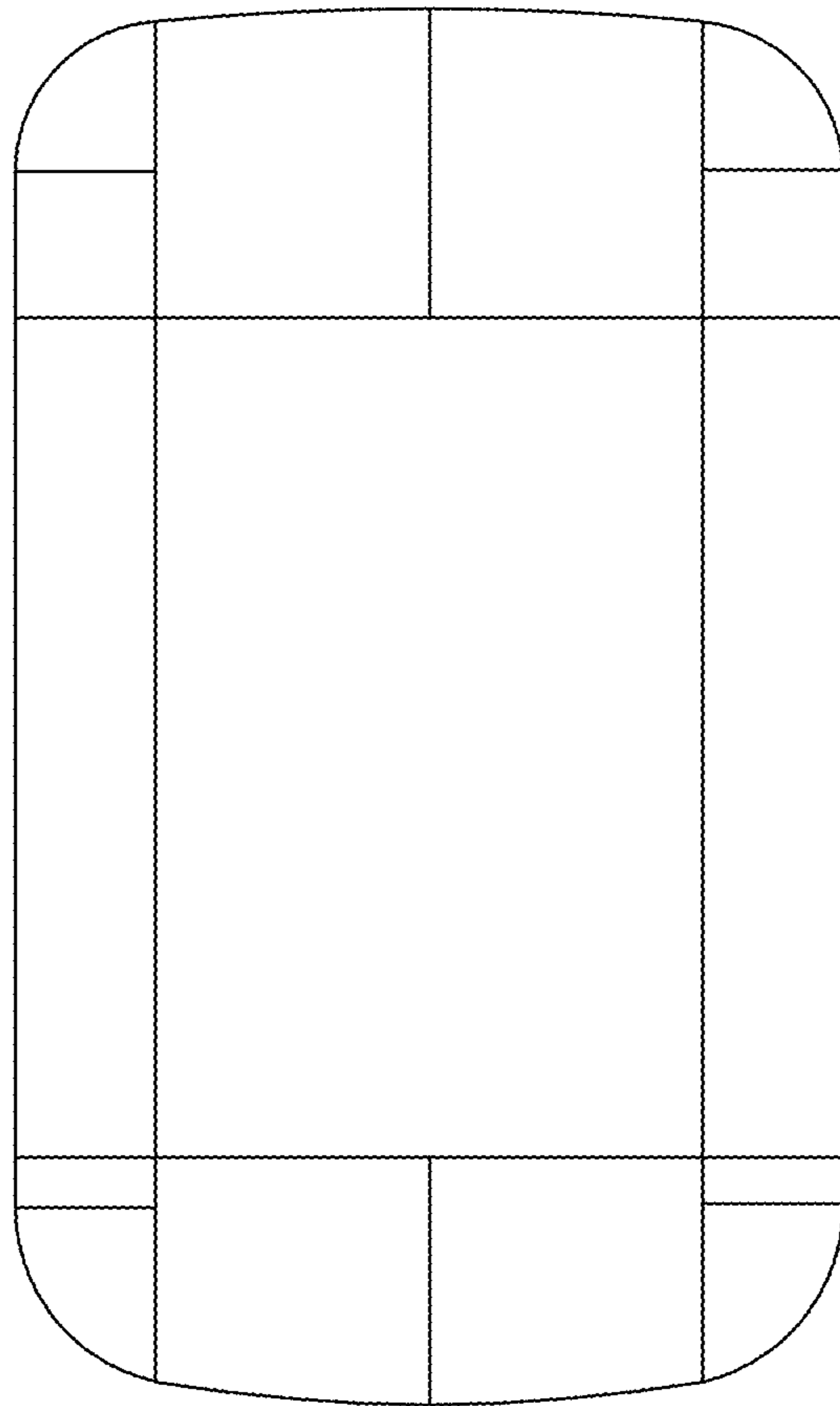


FIG. 17

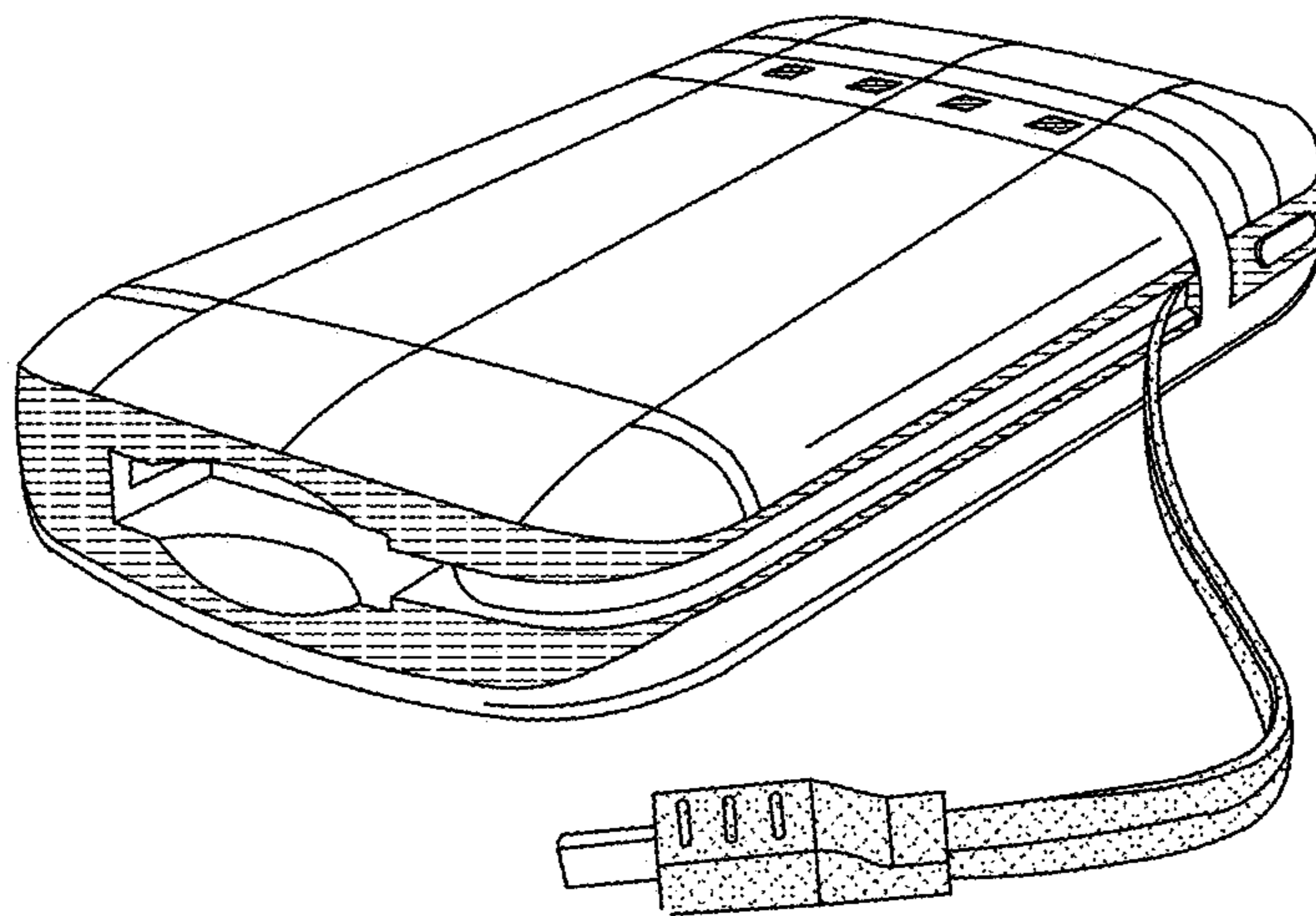


FIG. 18