



US00D682195S

(12) **United States Design Patent**  
**Aglassinger**

(10) **Patent No.:** **US D682,195 S**

(45) **Date of Patent:** **\*\* May 14, 2013**

(54) **BATTERY PACK**

(71) Applicant: **Robert Bosch GmbH**, Stuttgart (DE)

(72) Inventor: **Hans-Peter Aglassinger**, Esslingen (DE)

(73) Assignee: **Robert Bosch GmbH**, Stuttgart (DE)

(\*\*) Term: **14 Years**

(21) Appl. No.: **29/435,283**

(22) Filed: **Oct. 22, 2012**

(30) **Foreign Application Priority Data**

Apr. 26, 2012 (EM) ..... 002033647

(51) **LOC (9) Cl.** ..... **13-02**

(52) **U.S. Cl.**  
USPC ..... **D13/103**

(58) **Field of Classification Search** ..... D13/102-106,  
D13/110, 118-119, 184; 429/96-100, 163,  
429/176

See application file for complete search history.

(56) **References Cited**

**U.S. PATENT DOCUMENTS**

D306,573 S *	3/1990	Schultz	.....	D13/103
D306,574 S *	3/1990	Schultz	.....	D13/103
D313,391 S *	1/1991	Pudwill	.....	D13/103
D323,642 S *	2/1992	Liao	.....	D13/119

D387,329 S *	12/1997	Jung et al.	.....	D13/119
D388,060 S *	12/1997	Tanaka et al.	.....	D13/103
D528,975 S *	9/2006	Chi et al.	.....	D13/103
D539,730 S *	4/2007	Kawase	.....	D13/103
D547,264 S *	7/2007	Kondo	.....	D13/103
D597,482 S *	8/2009	Kondo et al.	.....	D13/103
D623,589 S *	9/2010	Tarter et al.	.....	D13/103

\* cited by examiner

*Primary Examiner* — Rosemary K Tarcza

(74) *Attorney, Agent, or Firm* — Maginot, Moore & Beck

(57) **CLAIM**

The ornamental design for a battery pack, as shown and described.

**DESCRIPTION**

FIG. 1 is a perspective view of a battery pack showing my new design;

FIG. 2 is right side elevational view showing the design for the battery pack of FIG. 1;

FIG. 3 is a left side elevational view showing the design for the battery pack of FIG. 1;

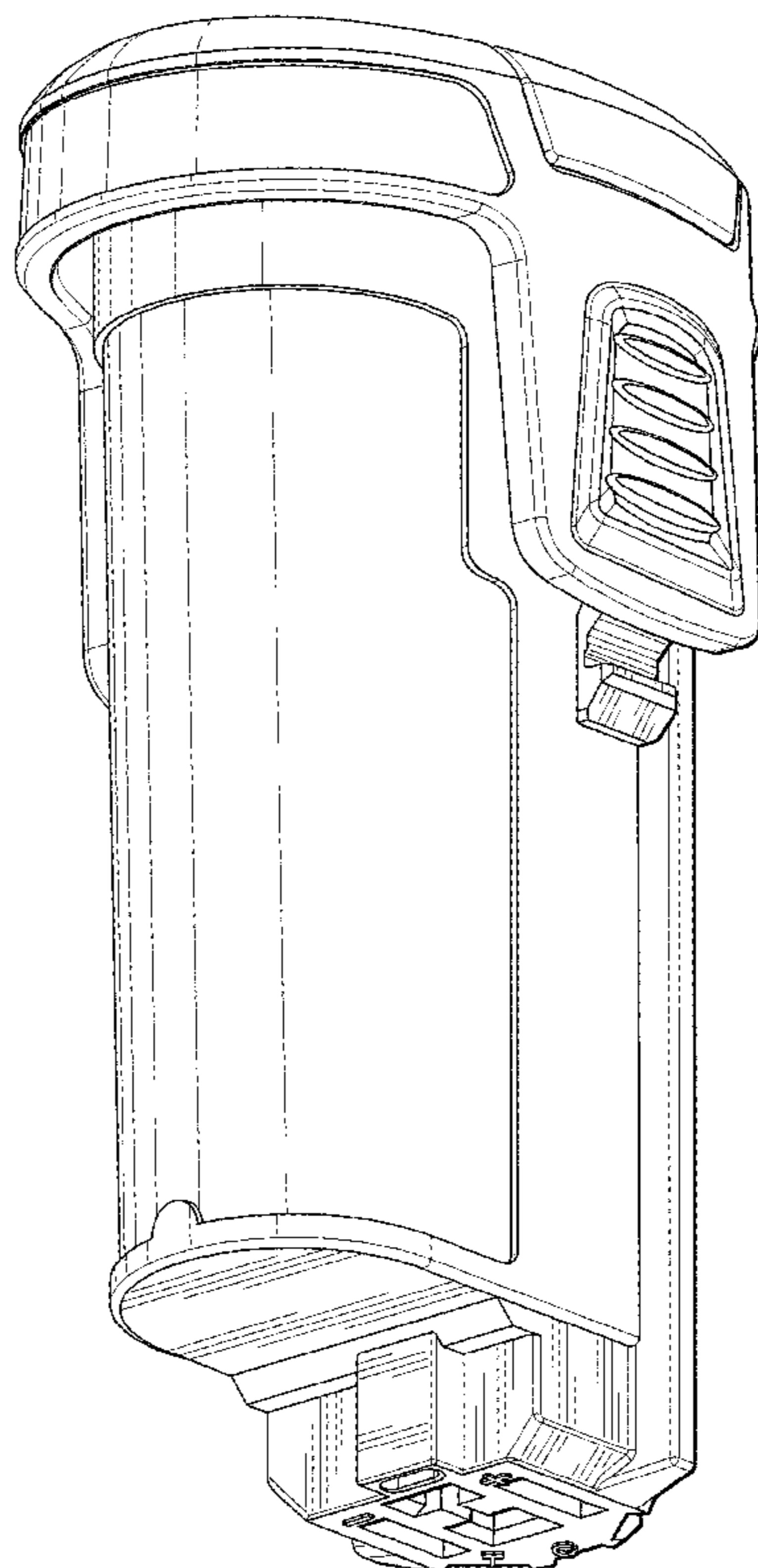
FIG. 4 is a front elevational view showing the design for the battery pack of FIG. 1;

FIG. 5 is a rear elevational view showing the design for the battery pack of FIG. 1;

FIG. 6 is a top elevational view showing the design for the battery pack of FIG. 1; and,

FIG. 7 is a bottom elevational view showing the design for the battery pack of FIG. 1.

**1 Claim, 7 Drawing Sheets**



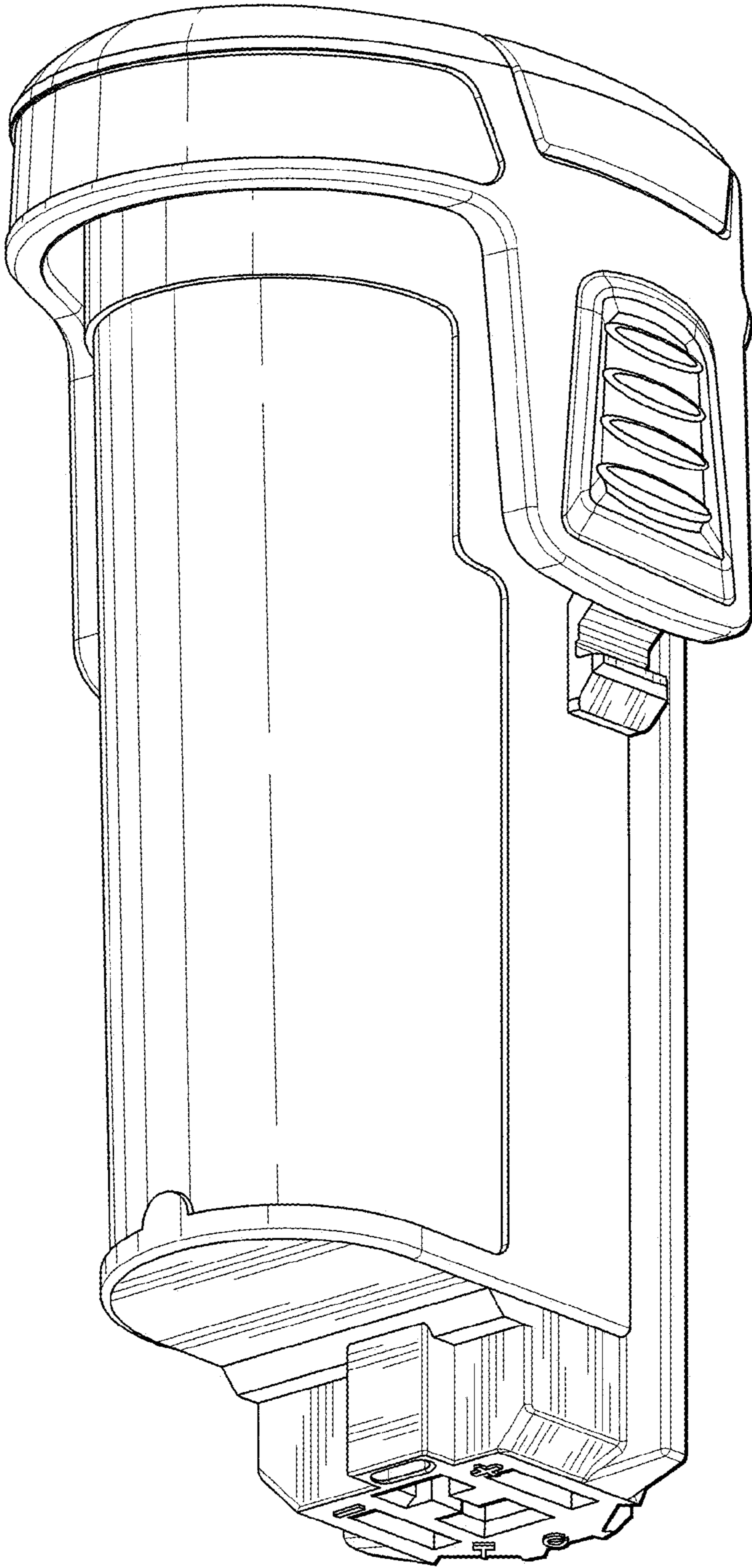


Fig. 1

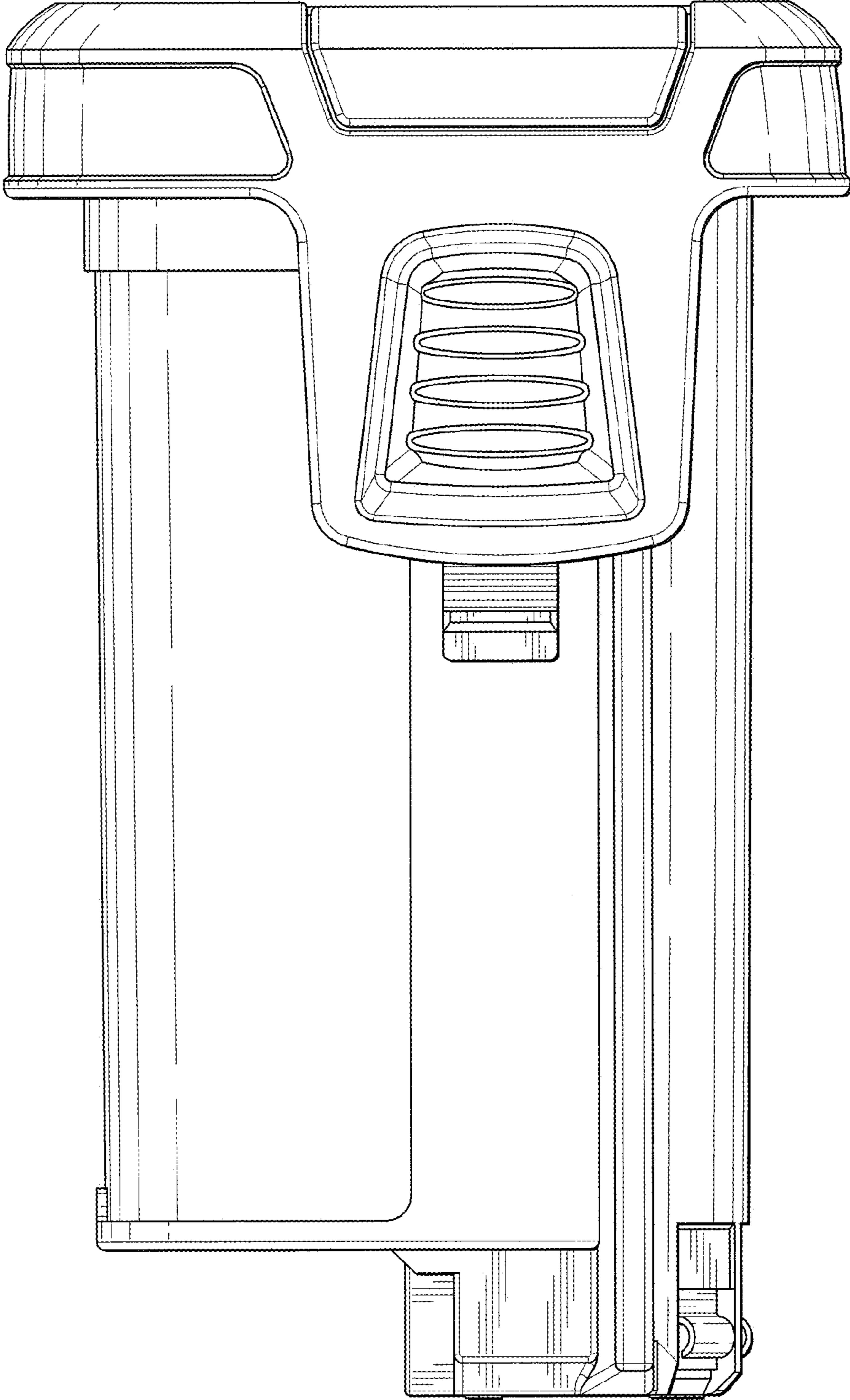


Fig. 2

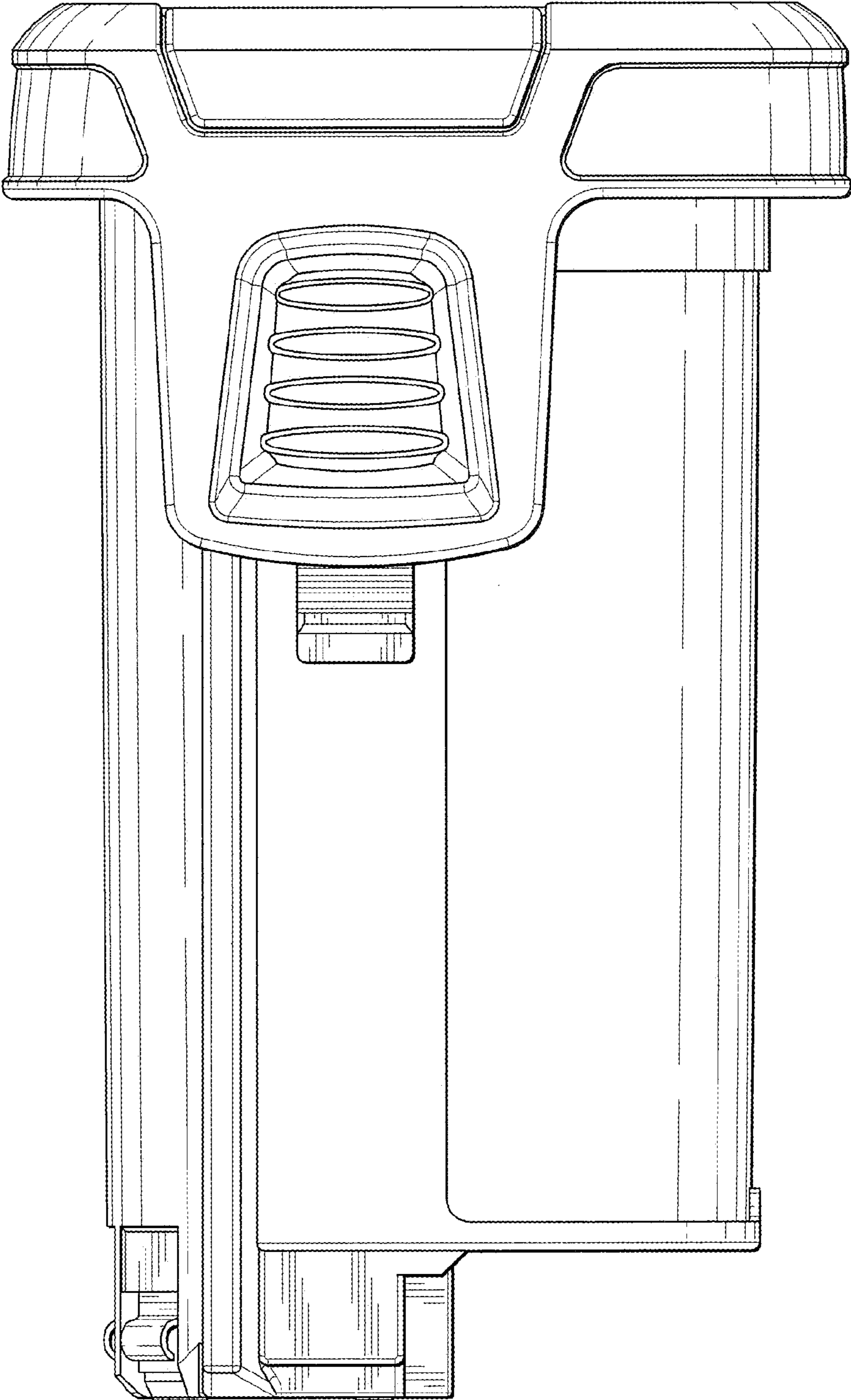


Fig. 3



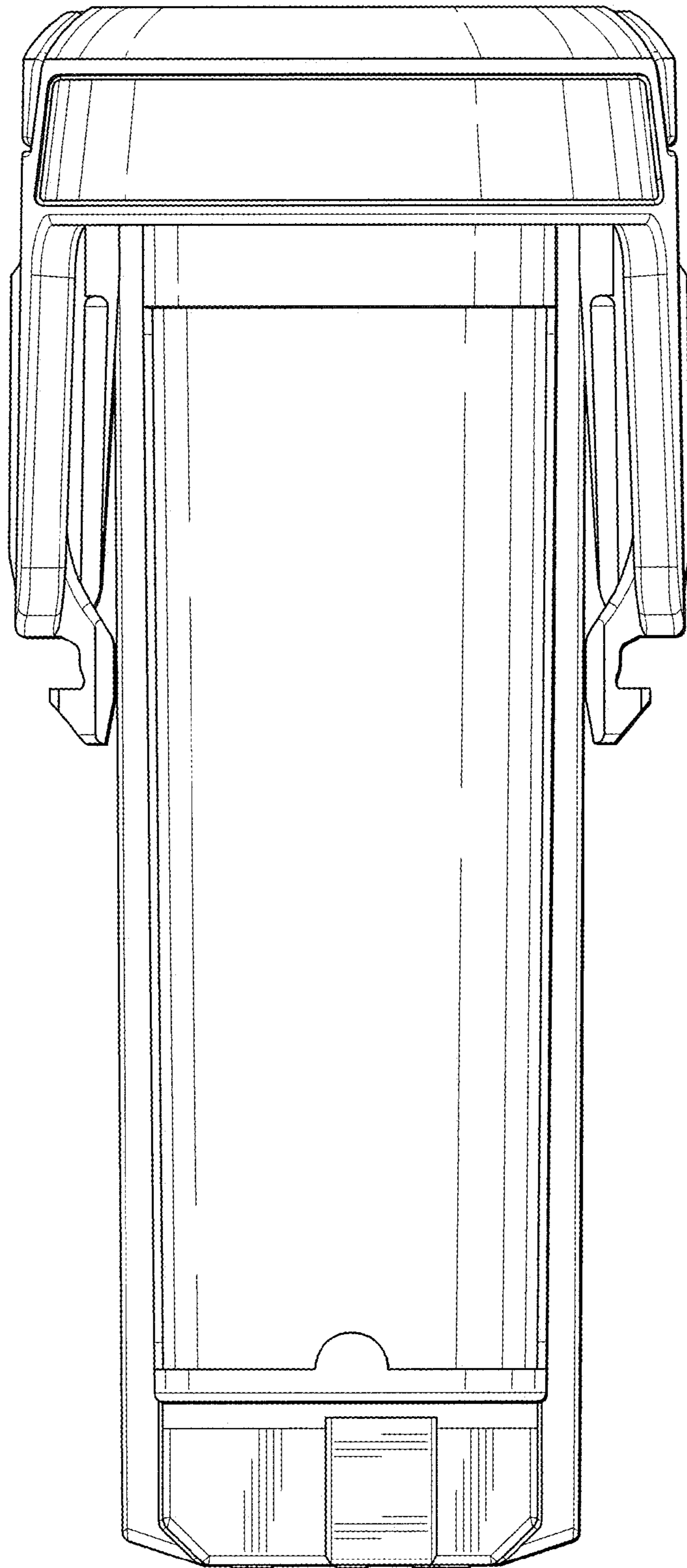


Fig. 4

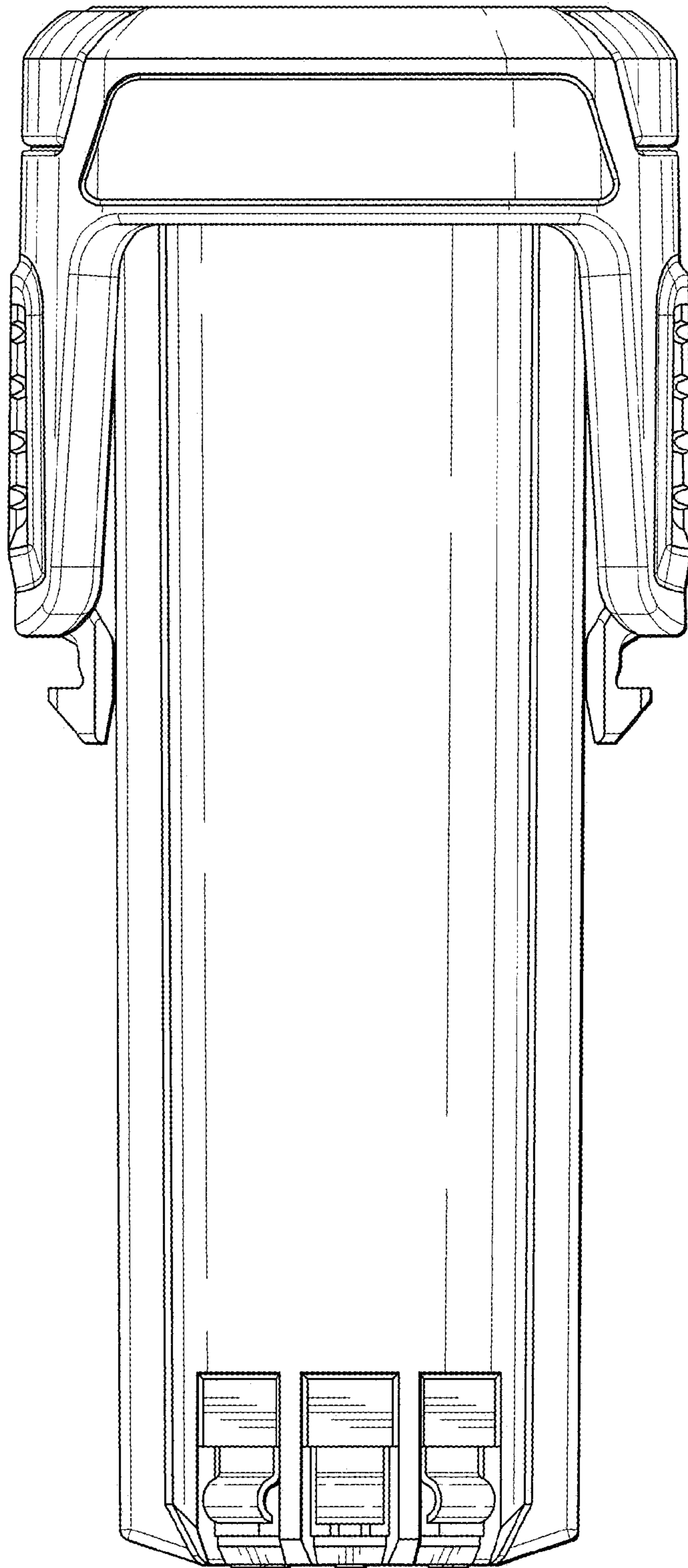


Fig. 5

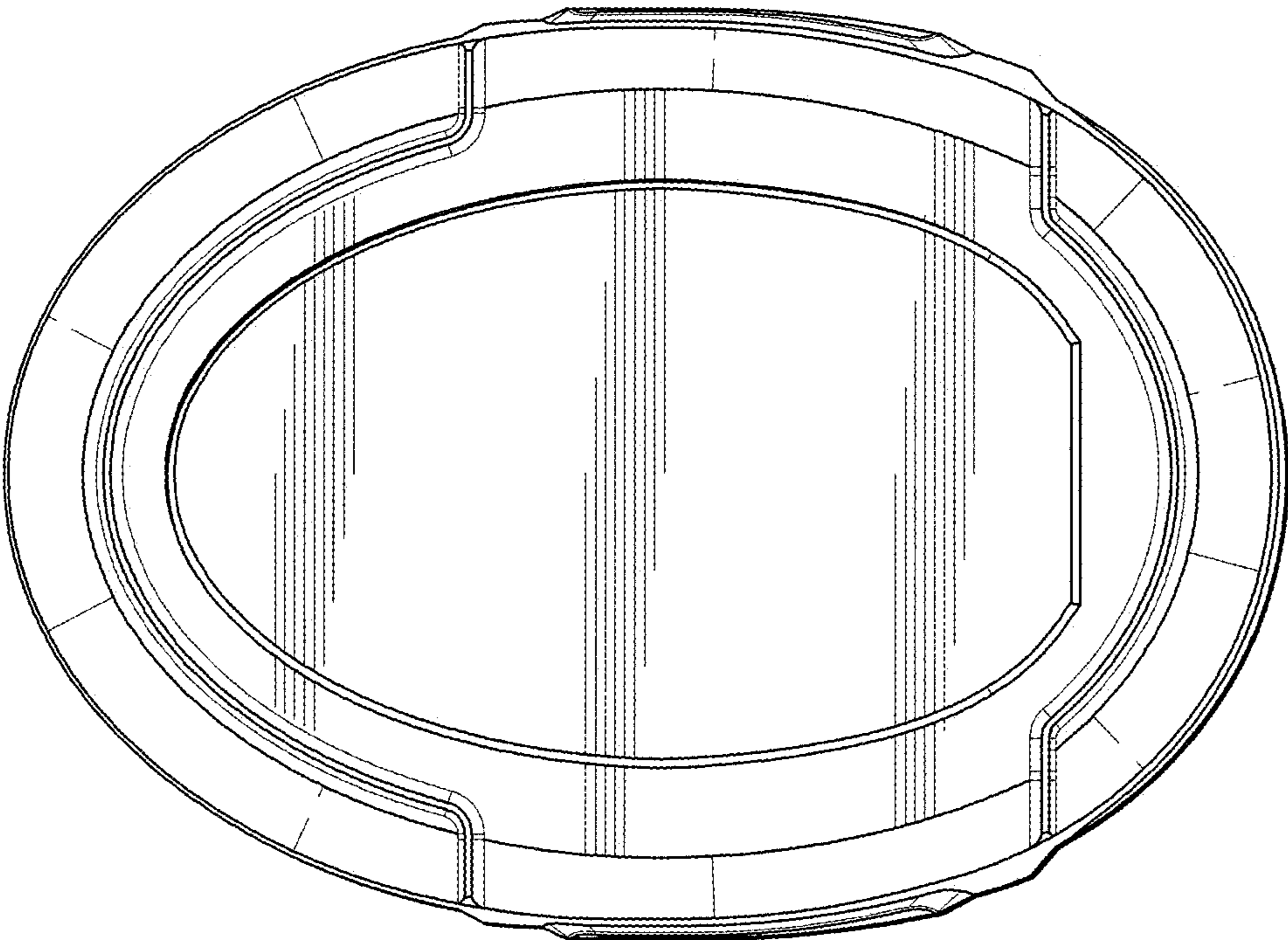


Fig. 6

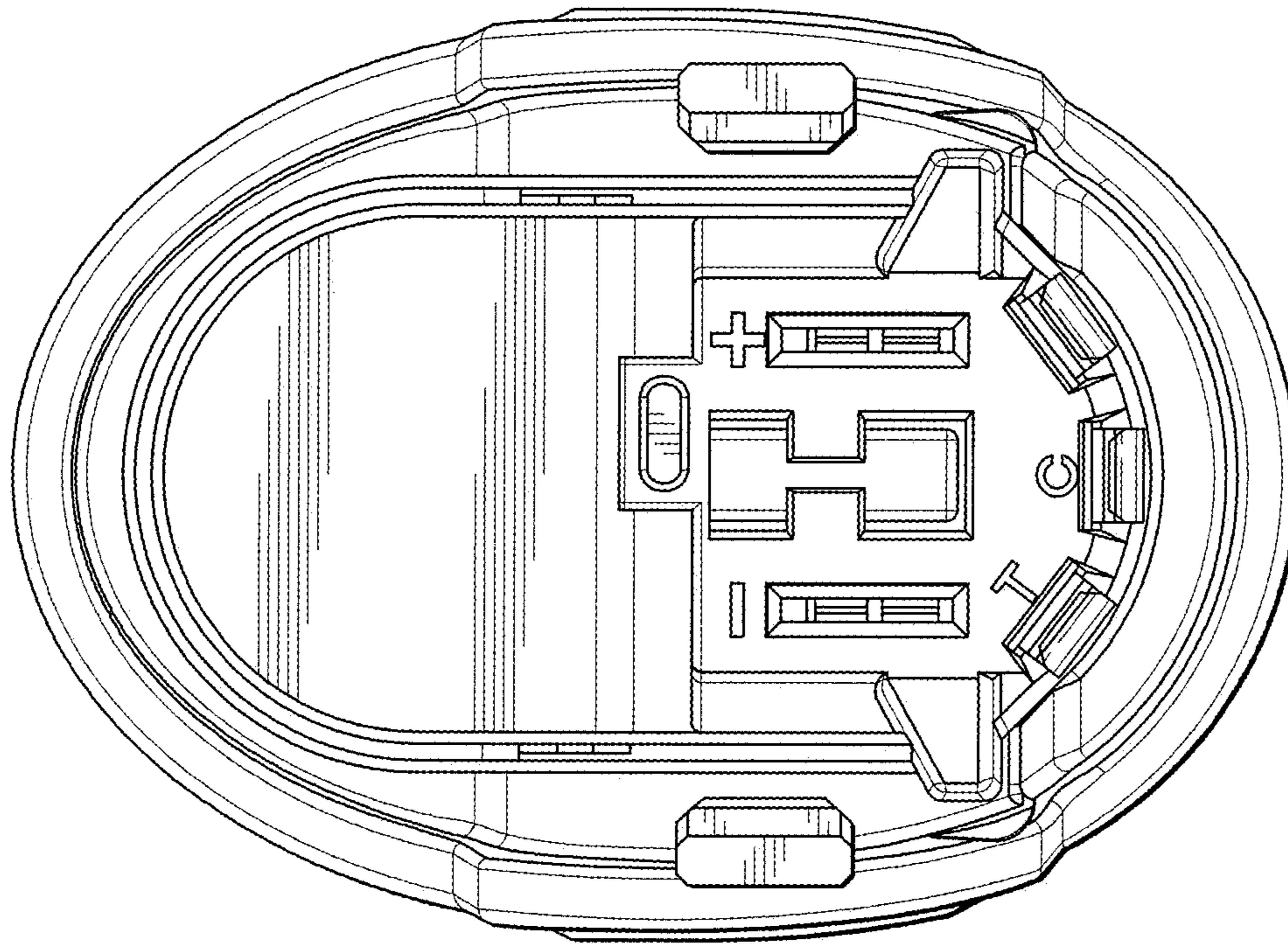


Fig. 7