



US00D682194S

(12) **United States Design Patent**
Jiang et al.

(10) **Patent No.:** **US D682,194 S**

(45) **Date of Patent:** **** May 14, 2013**

(54) **BATTERY PACK**

(75) Inventors: **Jicheng Jiang**, Nanjing (CN); **Wenlong Fan**, Nanjing (CN)

(73) Assignee: **Chervon (HK) Limited**, Hong Kong (HK)

(**) Term: **14 Years**

(21) Appl. No.: **29/431,360**

(22) Filed: **Sep. 6, 2012**

(30) **Foreign Application Priority Data**

Mar. 22, 2012 (CN) 2012 3 0070025

(51) **LOC (9) Cl.** **13-02**

(52) **U.S. Cl.**
USPC **D13/103**

(58) **Field of Classification Search** D13/102–106,
D13/110, 118–119, 184; 429/96–100, 163,
429/176

See application file for complete search history.

(56) **References Cited**

U.S. PATENT DOCUMENTS

D481,672 S * 11/2003 Niwa et al. D13/103
D512,373 S * 12/2005 Tsai et al. D13/108

D550,152 S * 9/2007 Okuda et al. D13/103
D555,086 S * 11/2007 Zhang D13/103
D562,227 S * 2/2008 Yamada et al. D13/103
D568,239 S * 5/2008 Okada et al. D13/103
D597,935 S * 8/2009 Aglassinger D13/103
D606,935 S * 12/2009 Murayama et al. D13/103
D610,537 S * 2/2010 Sweeney D13/103
D622,661 S * 8/2010 Yamada et al. D13/103
D640,196 S * 6/2011 Shuang et al. D13/119
D643,809 S * 8/2011 Okuda et al. D13/103

* cited by examiner

Primary Examiner — Rosemary K Tarcza

(74) *Attorney, Agent, or Firm* — Greenberg Traurig, LLP

(57) **CLAIM**

What is claimed is the ornamental design for a battery pack, as shown and described.

DESCRIPTION

FIG. 1 is a perspective view of a battery pack showing the new design;

FIG. 2 is a right side elevational view thereof, the left side view being a mirror image thereof;

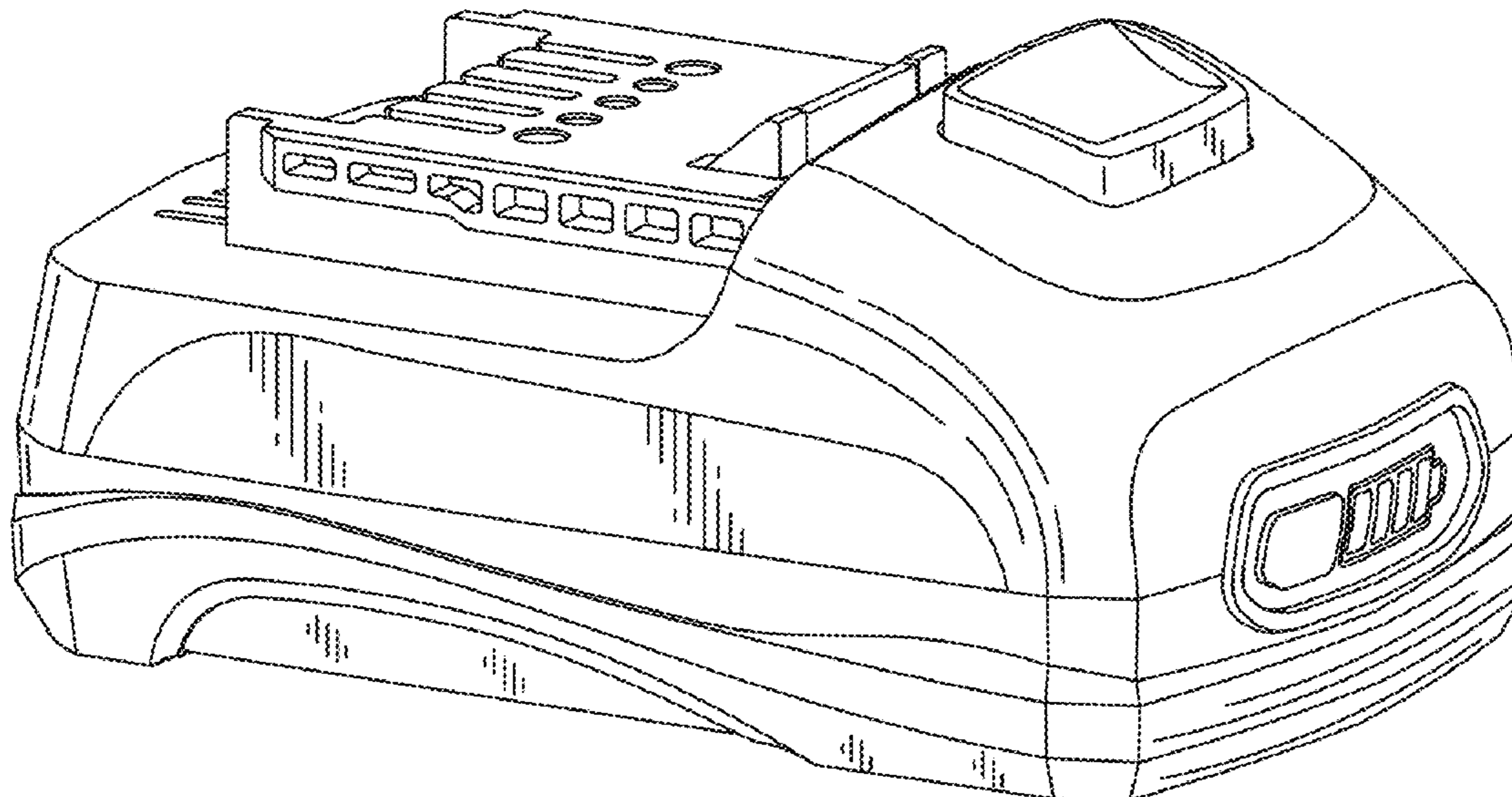
FIG. 3 is a rear side elevational view thereof;

FIG. 4 is a front side elevational view thereof;

FIG. 5 is a top plan view thereof; and,

FIG. 6 is a bottom plan view thereof.

1 Claim, 3 Drawing Sheets



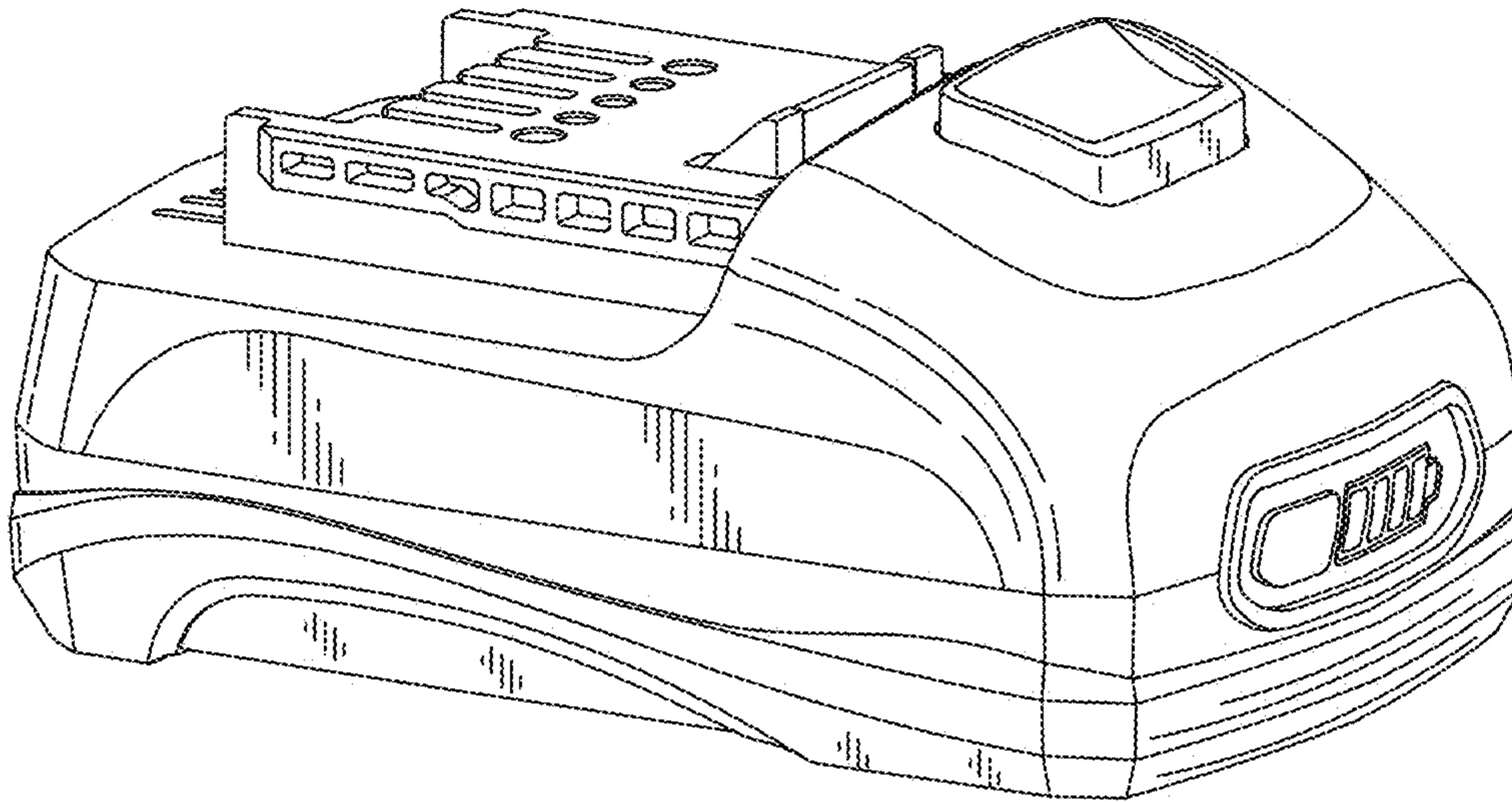


Fig. 1

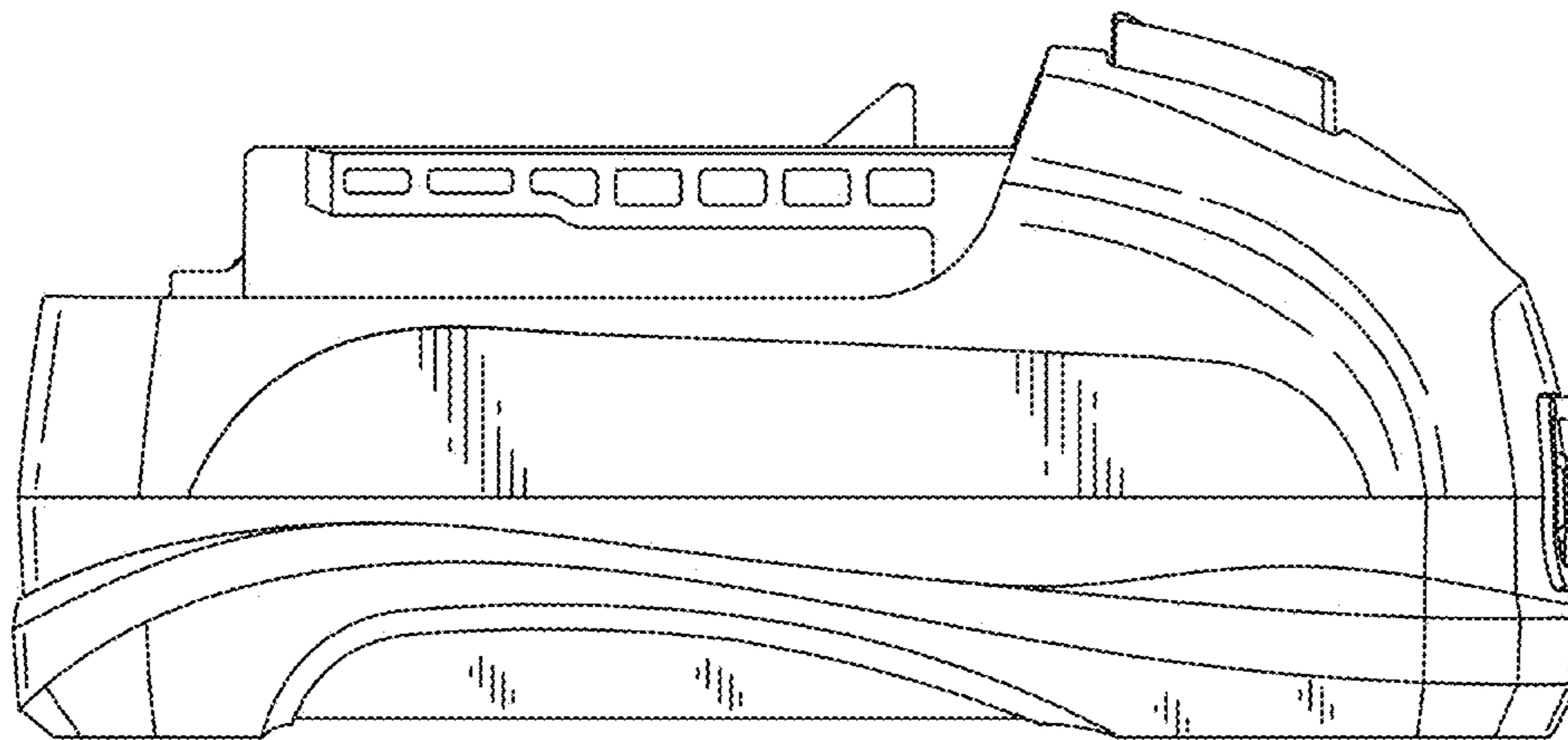


Fig. 2

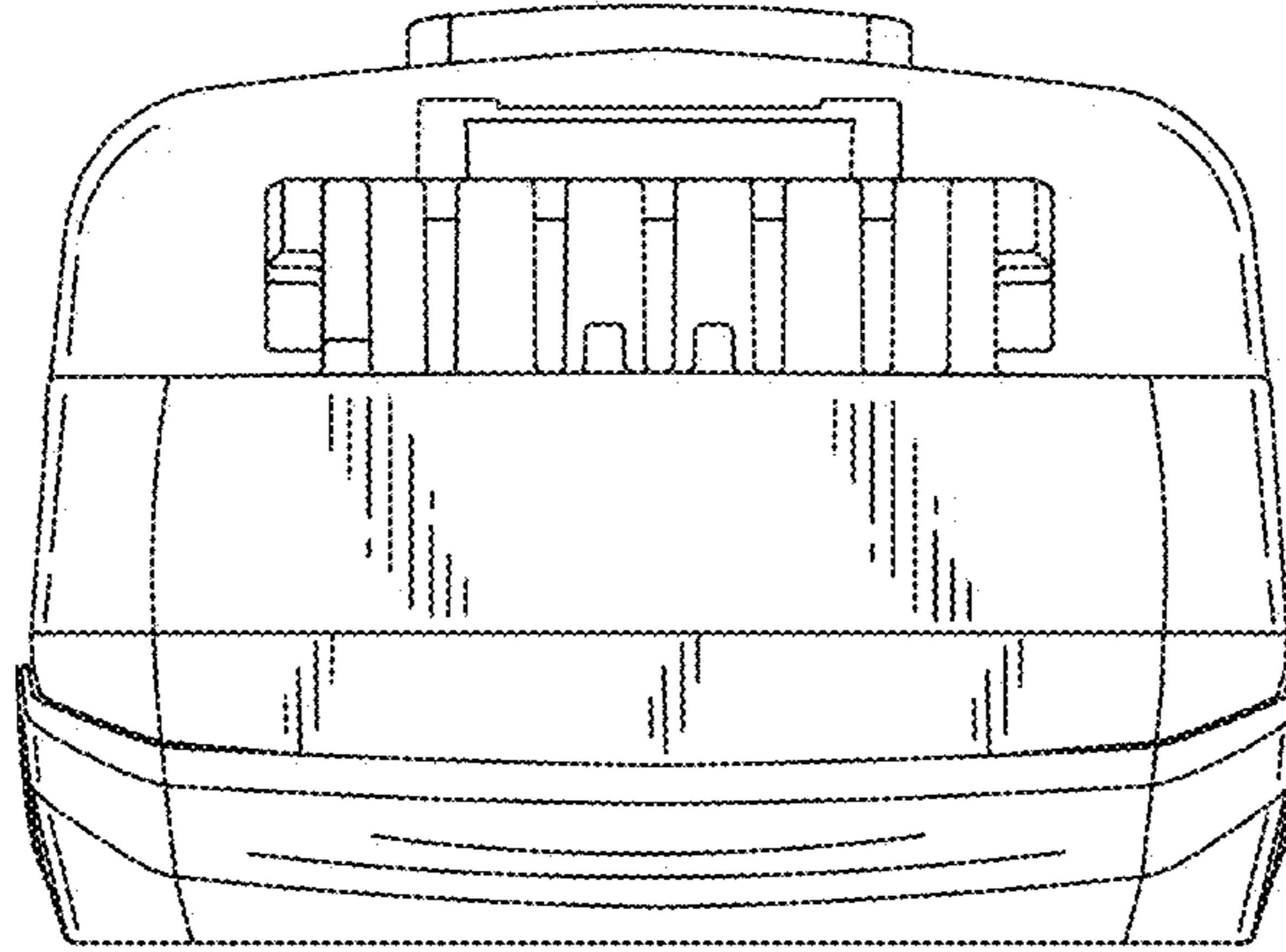


Fig. 3

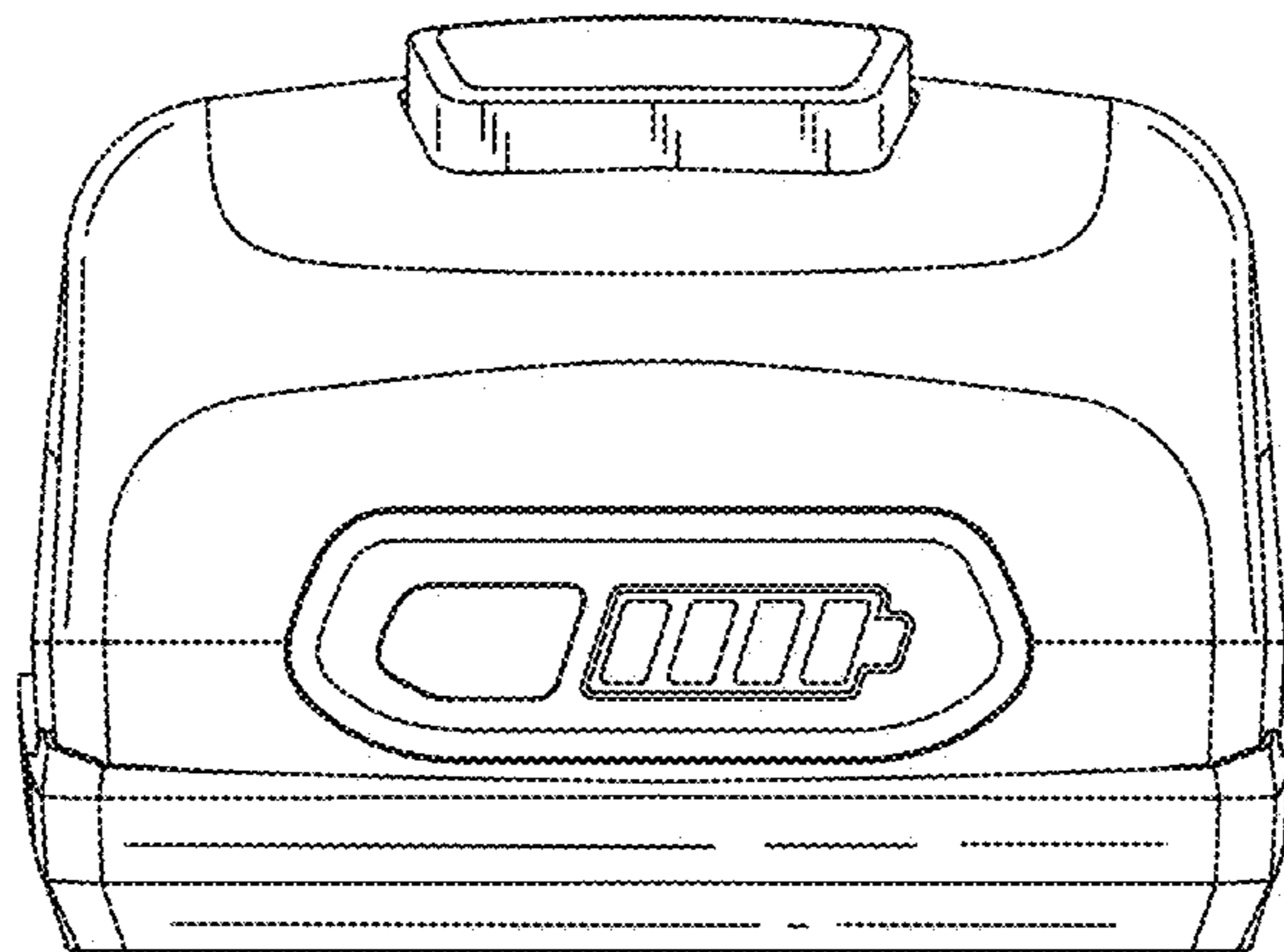


Fig. 4

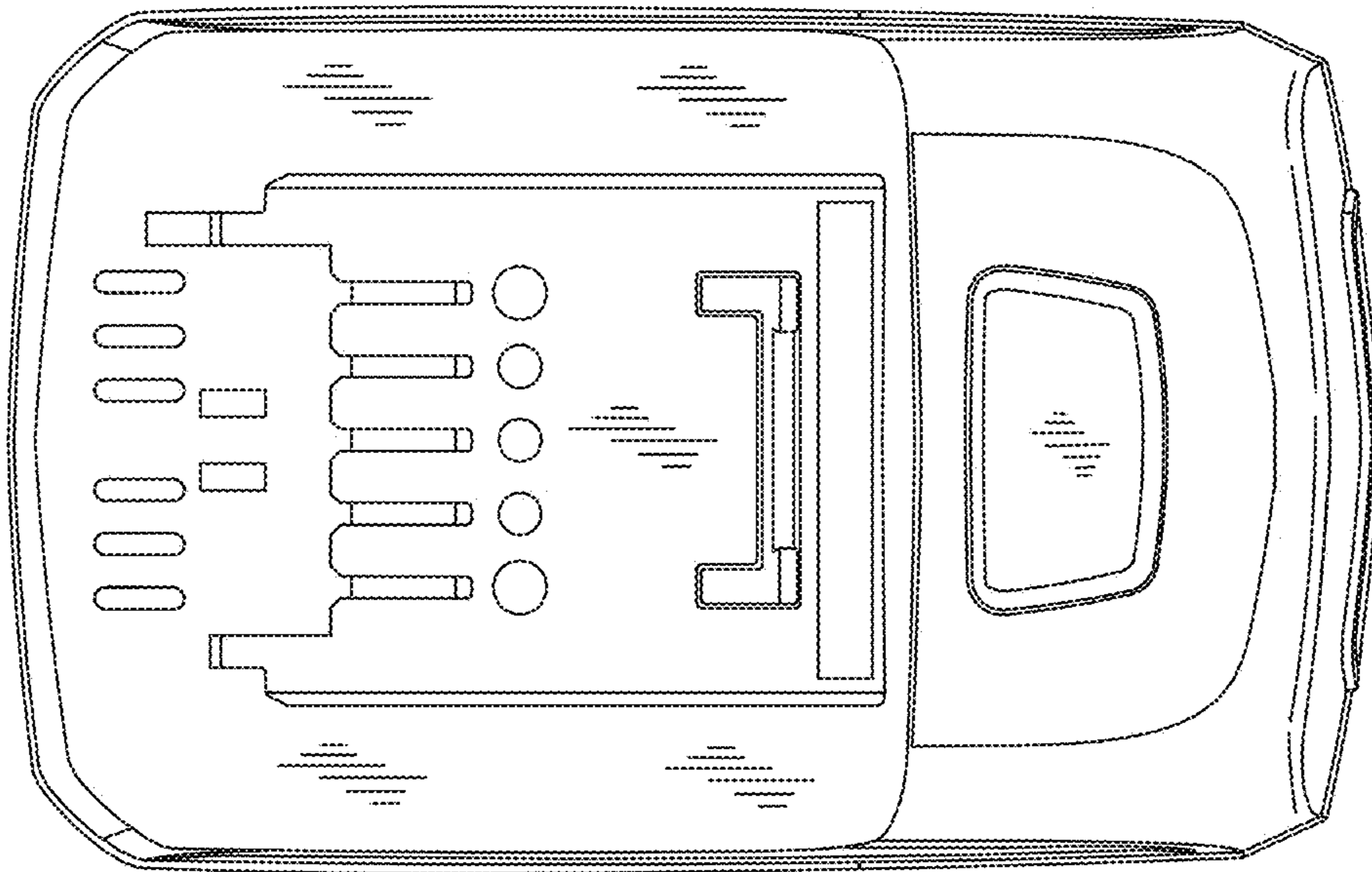


Fig. 5

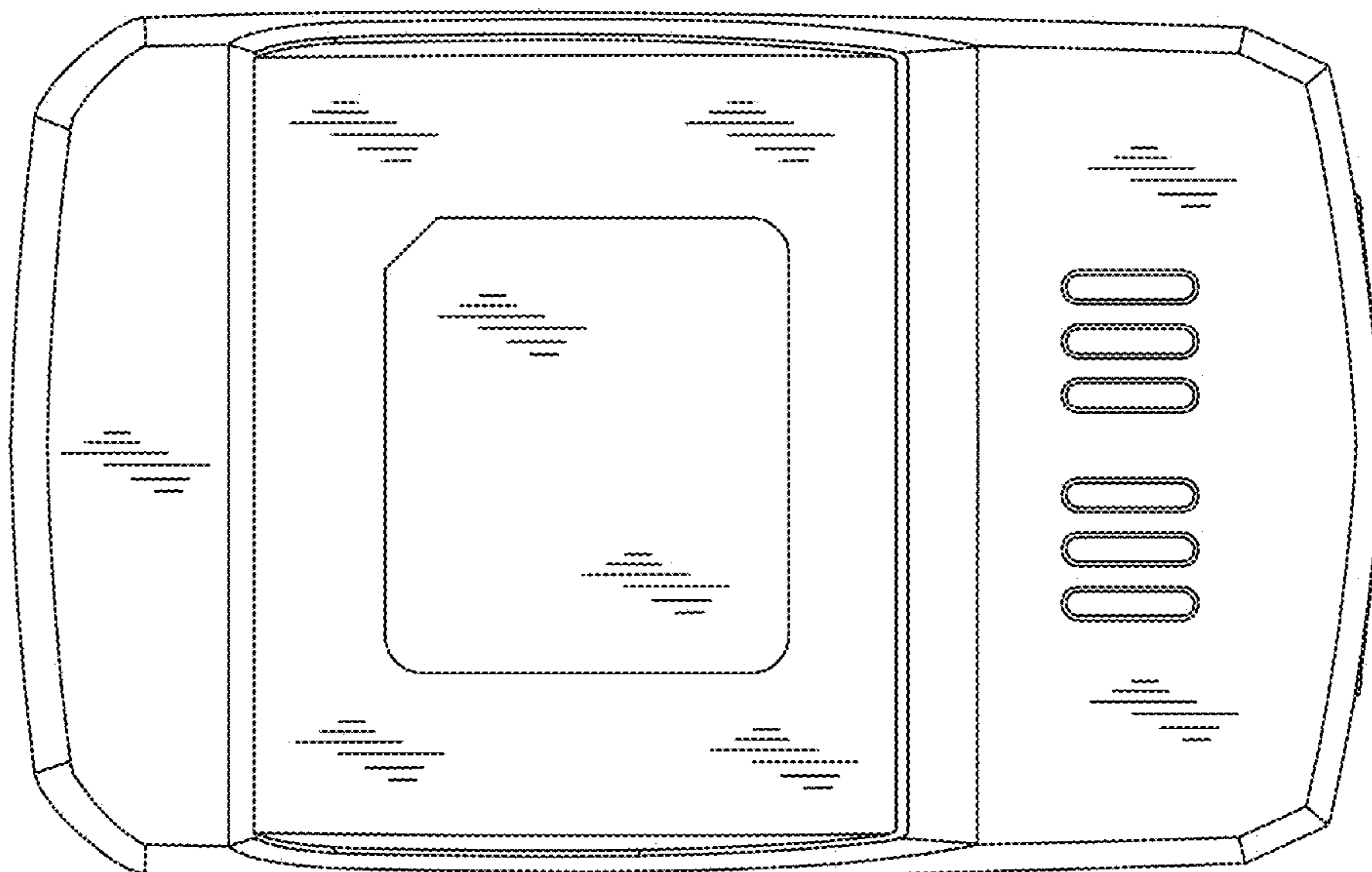


Fig. 6