



US00D682175S

(12) **United States Design Patent**
Lemke

(10) **Patent No.:** **US D682,175 S**
(45) **Date of Patent:** **** May 14, 2013**

(54) **VEHICLE WHEEL RIM**

(75) Inventor: **Peter Lemke**, Munich (DE)

(73) Assignee: **Audi AG**, Ingolstadt (DE)

(**) Term: **14 Years**

(21) Appl. No.: **29/424,782**

(22) Filed: **Jun. 15, 2012**

(30) **Foreign Application Priority Data**

Dec. 15, 2011 (EP) 001 962 853-0001

(51) **LOC (9) Cl.** **12-16**

(52) **U.S. Cl.**
USPC **D12/209**

(58) **Field of Classification Search** D12/204-213;
301/37.101, 64.101, 65, 64.201
See application file for complete search history.

(56) **References Cited**

U.S. PATENT DOCUMENTS

D449,812 S * 10/2001 Penzes D12/211
D487,046 S * 2/2004 Yamagishi D12/209
D510,554 S * 10/2005 Markefka D12/211
D539,724 S * 4/2007 Muzzarelli D12/211

D558,118 S * 12/2007 Hueller D12/211
D597,919 S * 8/2009 Atwell D12/211
D613,657 S * 4/2010 Cortes D12/209
D620,862 S * 8/2010 Pollmann D12/209
D626,052 S * 10/2010 Majdandzic D12/209
D649,102 S * 11/2011 Gallert D12/211
D649,103 S * 11/2011 Gallert D12/211

FOREIGN PATENT DOCUMENTS

AU 325155 3/2009
JP 1363576 6/2009

* cited by examiner

Primary Examiner — Stacia Cadmus

(74) *Attorney, Agent, or Firm* — Lucas & Mercanti, LLP;
Klaus P. Stoffel

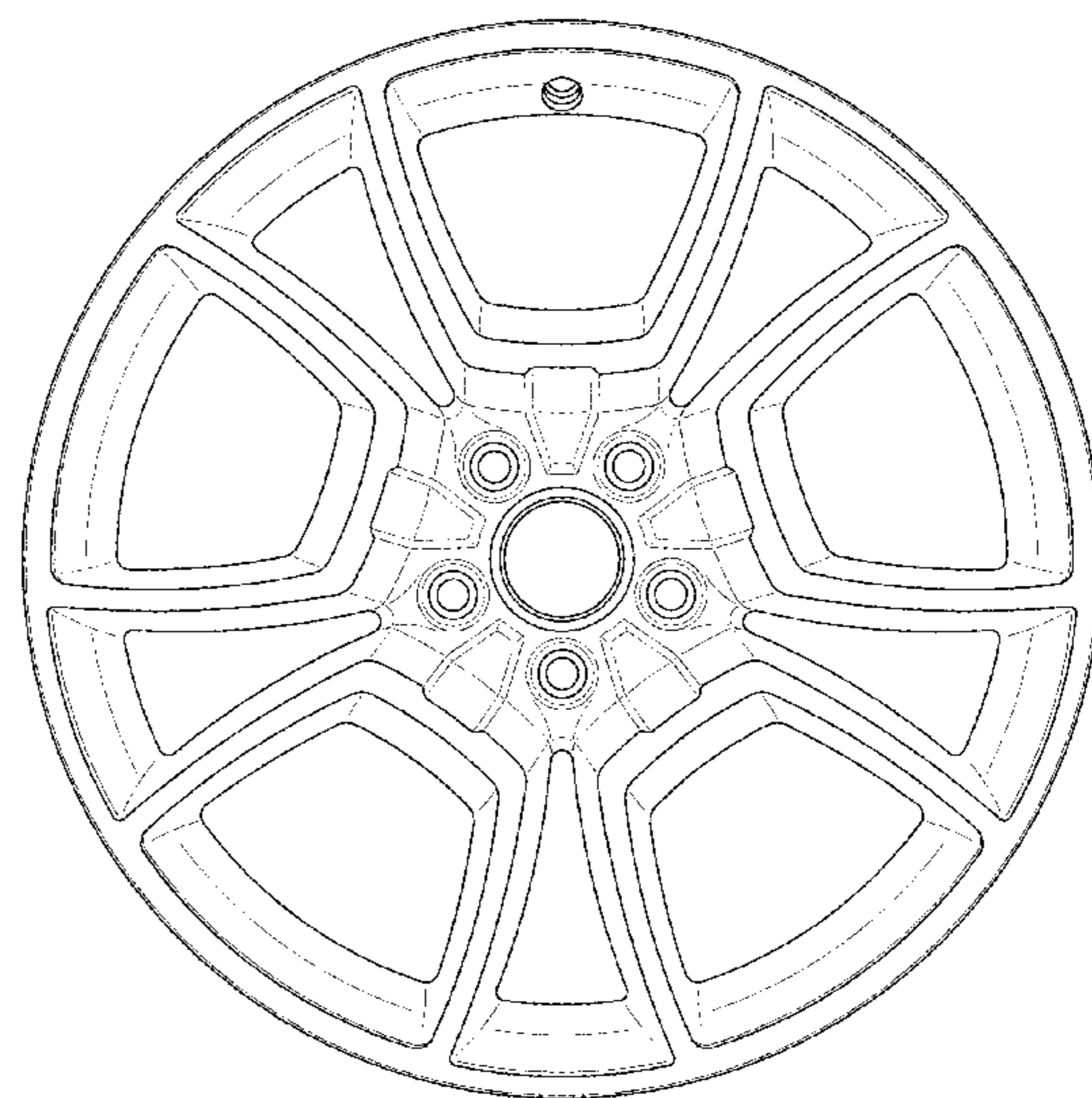
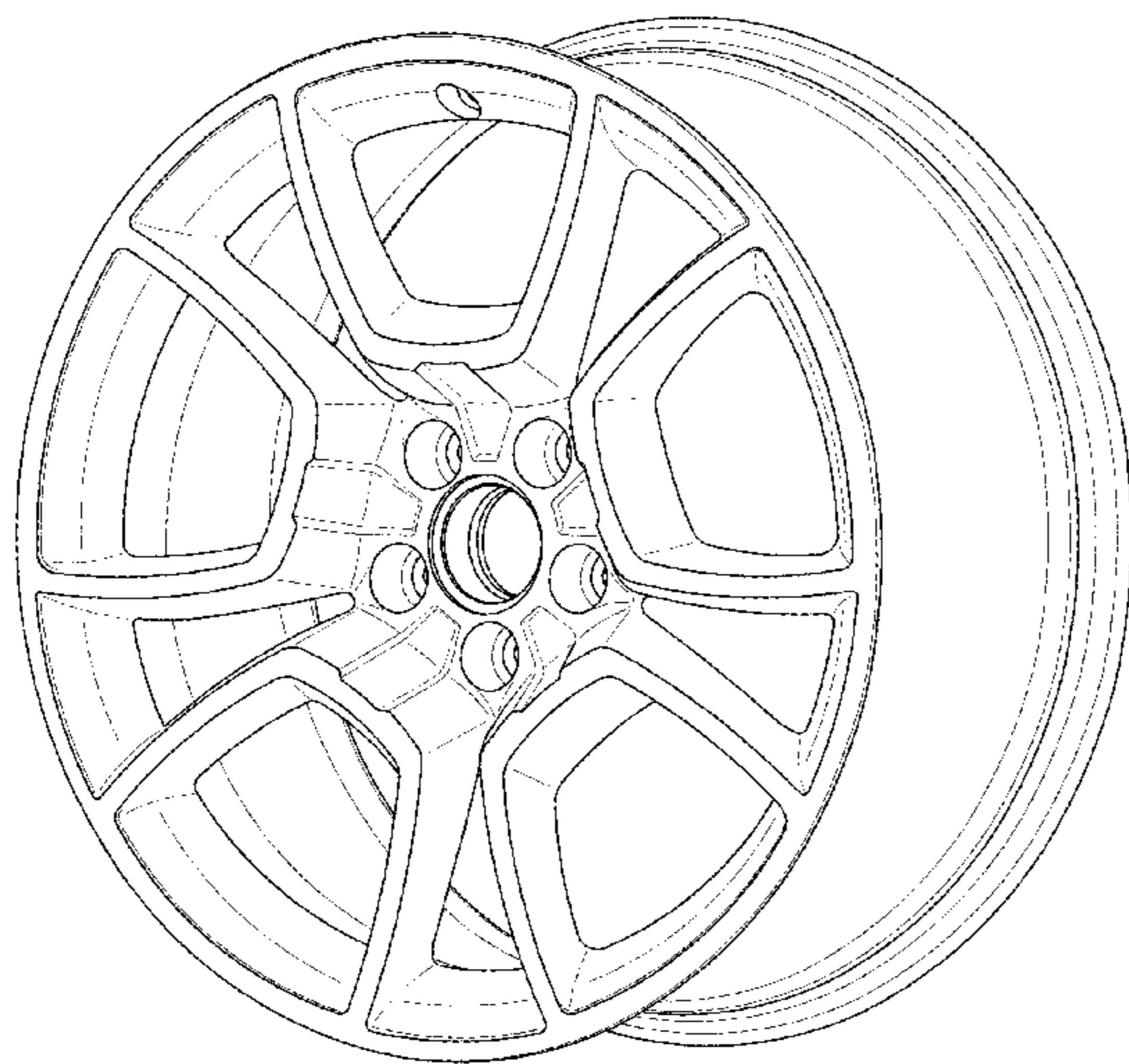
(57) **CLAIM**

The original design for a vehicle wheel rim, as shown and described.

DESCRIPTION

FIG. 1 is a front, side perspective view of the vehicle wheel rim of the present invention;
FIG. 2 is a front view thereof;
FIG. 3 is a right side view thereof;
FIG. 4 is a left side view thereof;
FIG. 5 is a top view thereof; and,
FIG. 6 is a bottom view thereof.

1 Claim, 6 Drawing Sheets



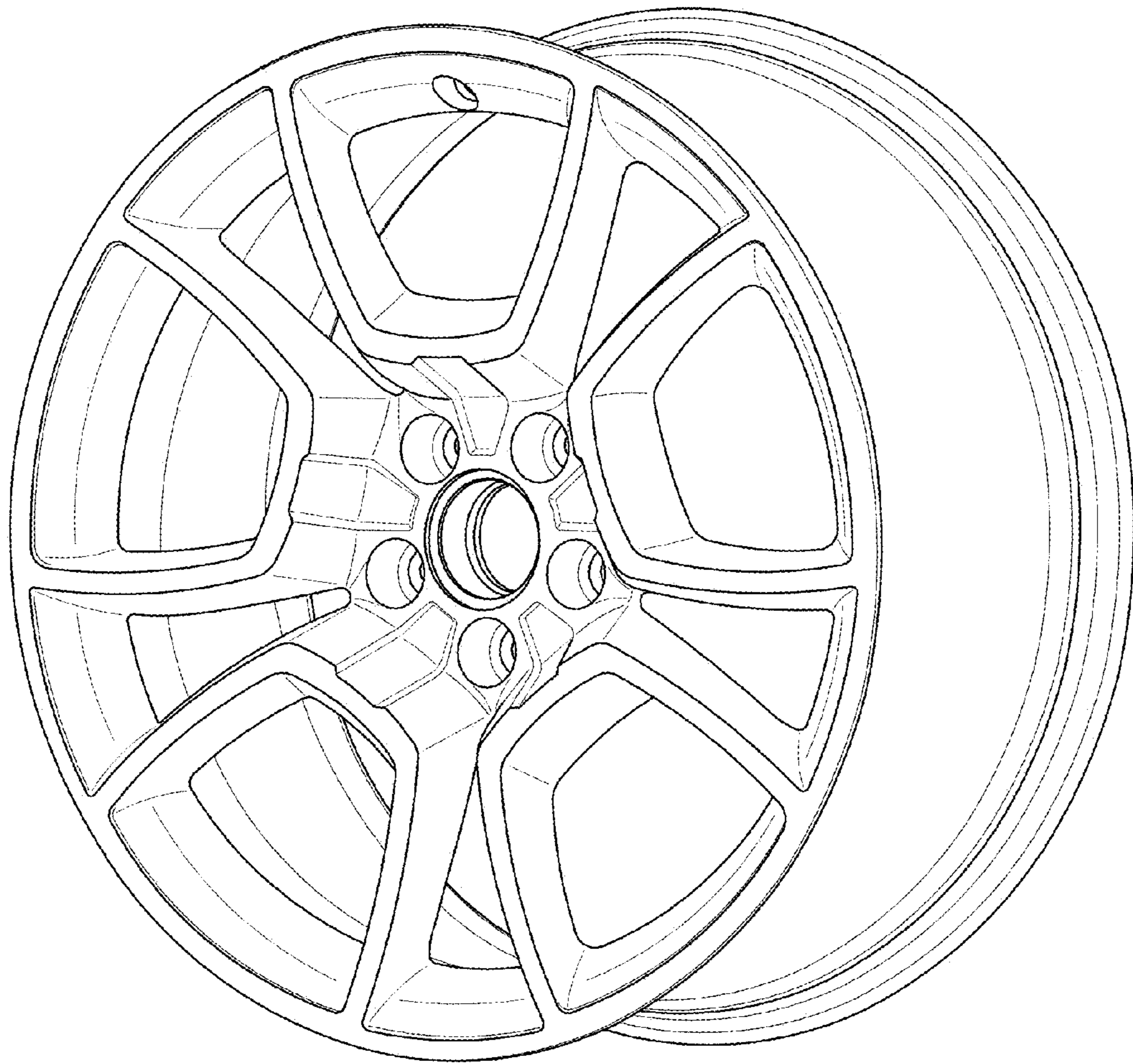


Fig. 1

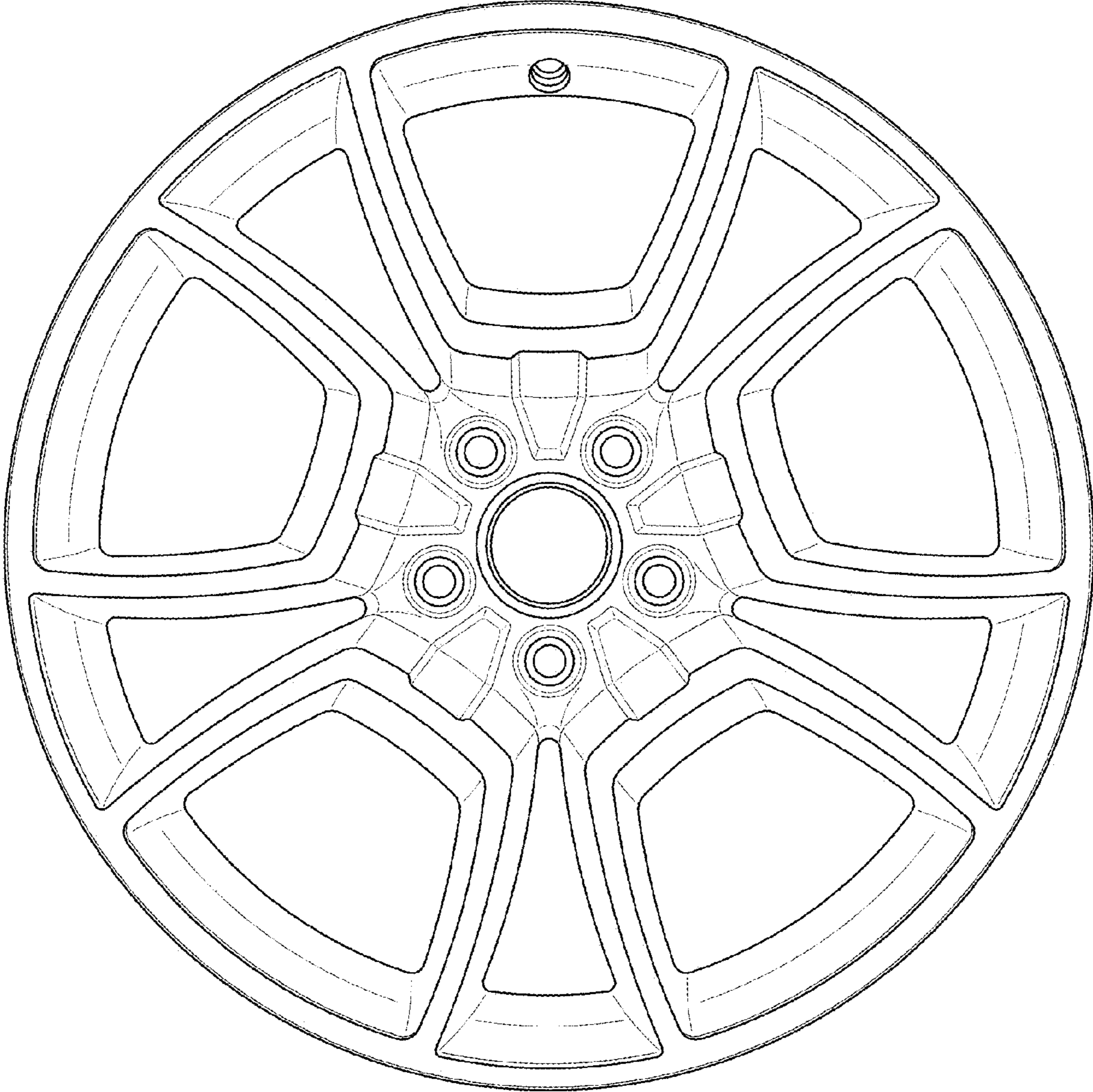


Fig. 2

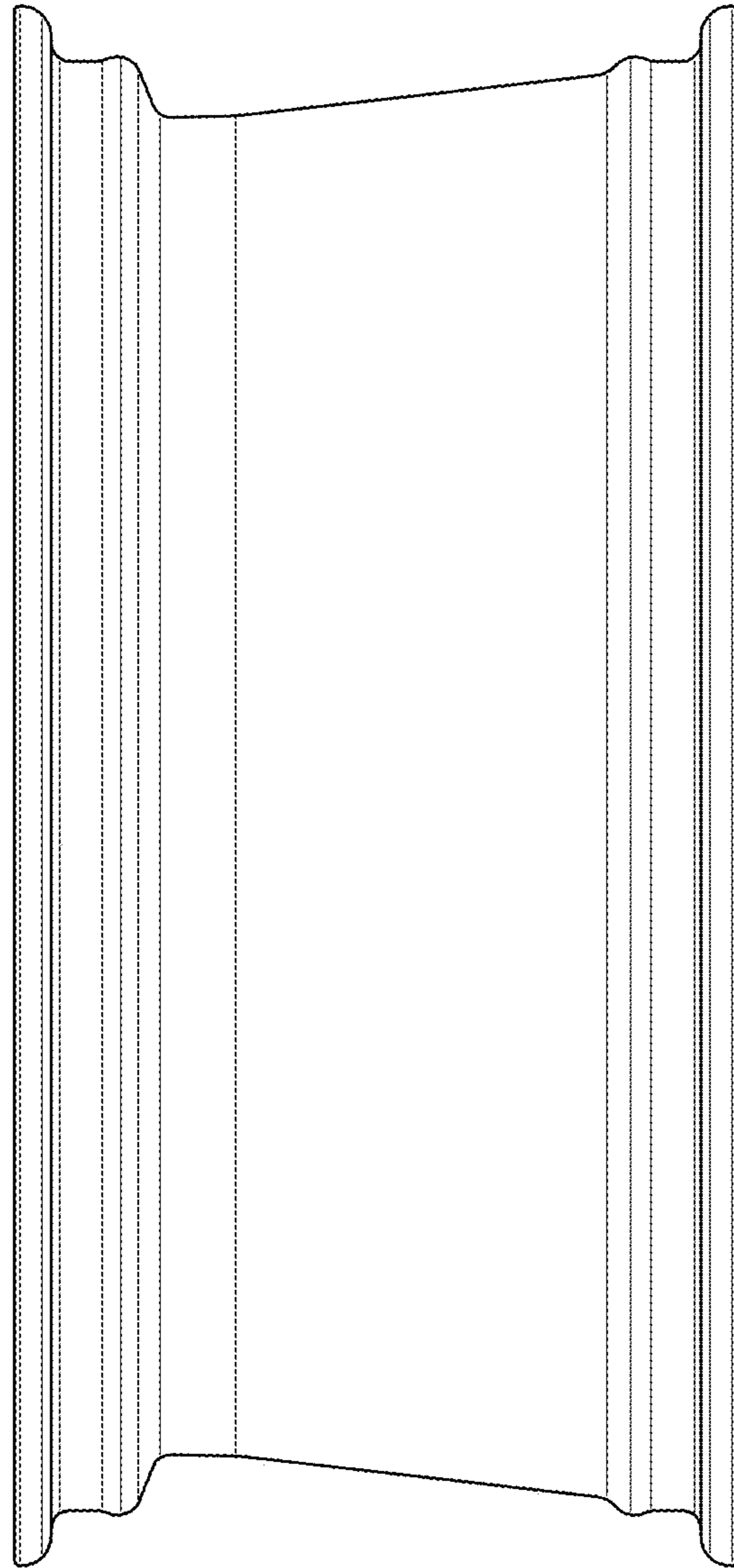


Fig. 3

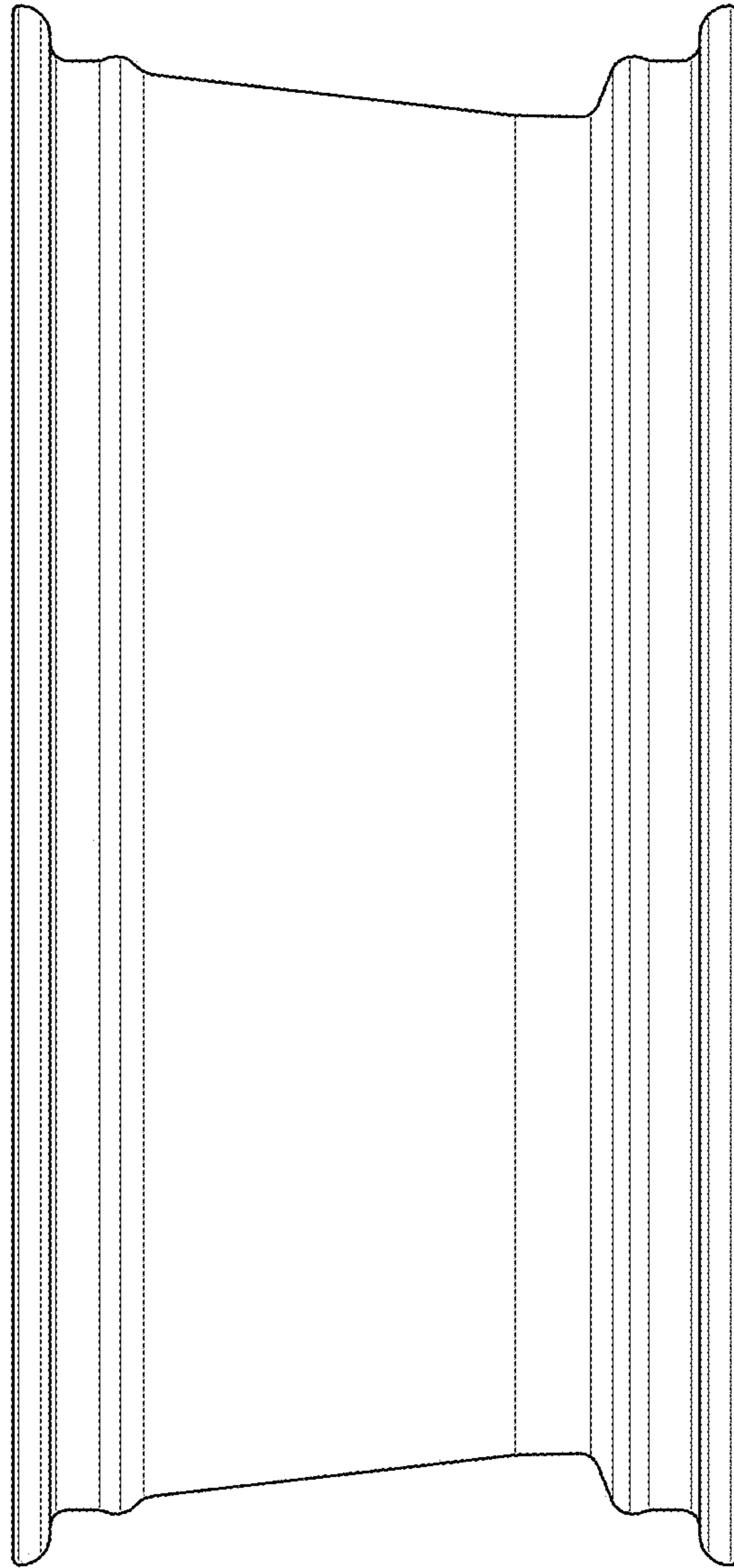


Fig. 4

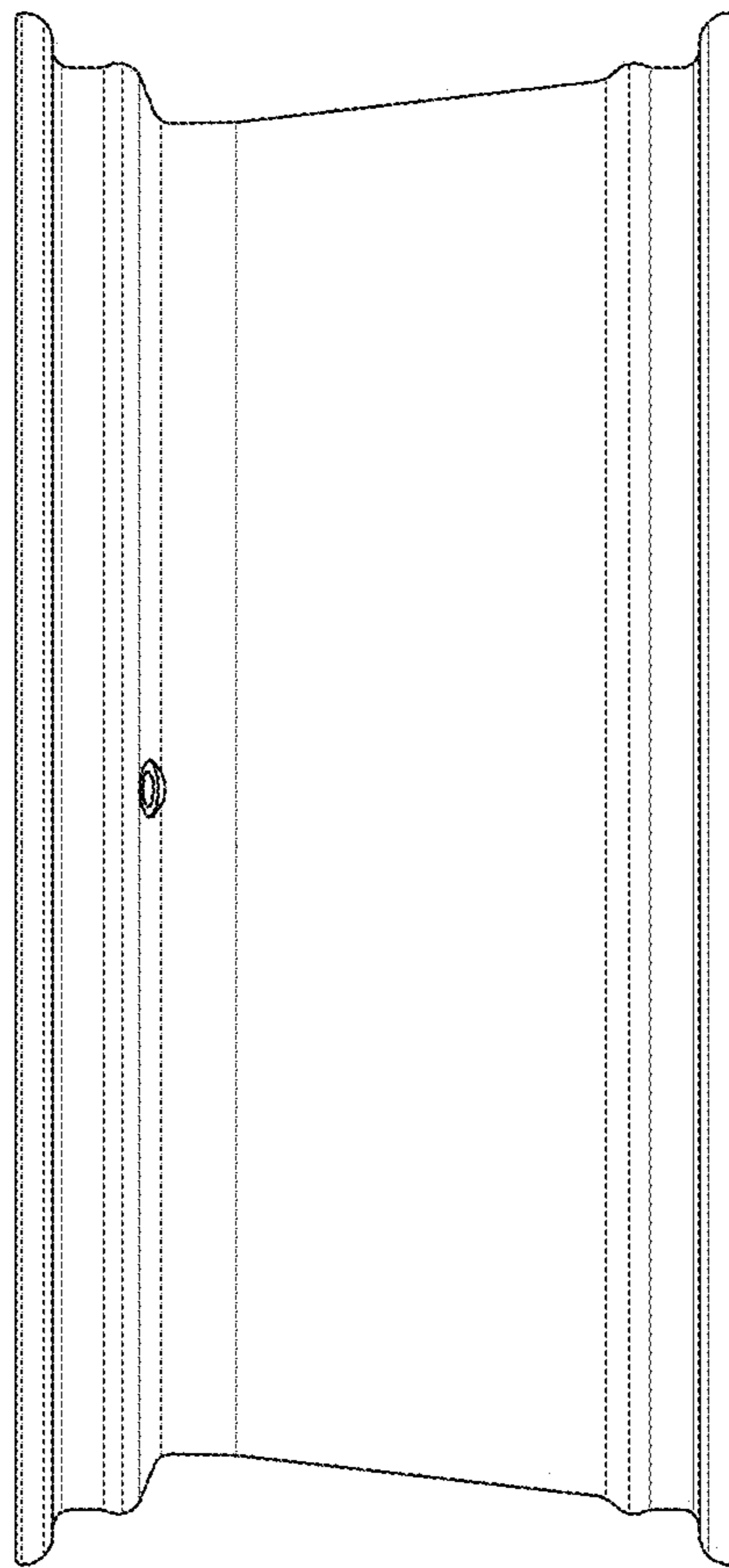


Fig. 5

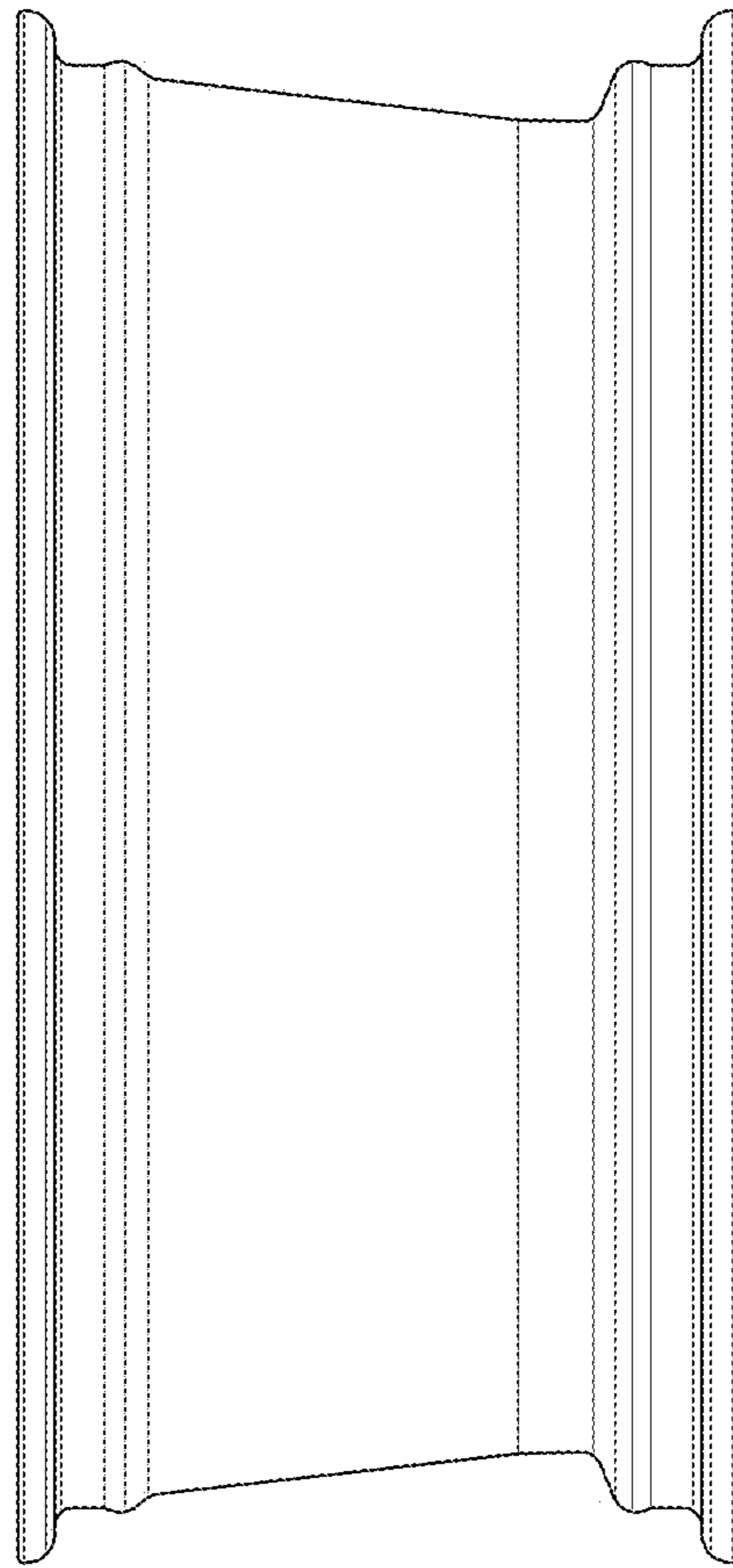


Fig. 6