



US00D682174S

(12) **United States Design Patent**
Tada et al.

(10) **Patent No.:** **US D682,174 S**
(45) **Date of Patent:** **** May 14, 2013**

(54) **REAR FENDER FOR AN AUTOMOBILE**

(75) Inventors: **Hiroyuki Tada**, Nagoya (JP); **Masayuki Yamaji**, Miyoshi (JP)

(73) Assignee: **Toyota Jidosha Kabushiki Kaisha**, Toyota-shi (JP)

(**) Term: **14 Years**

(21) Appl. No.: **29/424,113**

(22) Filed: **Jun. 7, 2012**

(30) **Foreign Application Priority Data**

Mar. 9, 2012 (JP) 2012-005409

(51) **LOC (9) Cl.** **12-16**

(52) **U.S. Cl.**
USPC **D12/196**

(58) **Field of Classification Search** D12/90,
D12/91, 92, 184, 196; 280/152.1, 847, 848,
280/849, 851; 296/181.1, 181.5

See application file for complete search history.

(56) **References Cited**

U.S. PATENT DOCUMENTS

D418,791 S *	1/2000	Gabath	D12/196
D491,857 S *	6/2004	Velazco	D12/196
D505,899 S *	6/2005	Boyer	D12/196
D522,424 S *	6/2006	Nordmann	D12/196
D558,653 S *	1/2008	Leclercq	D12/184
D583,286 S *	12/2008	Leclercq	D12/184
D589,854 S *	4/2009	Suga et al.	D12/164
D620,413 S *	7/2010	Huet	D12/196
D630,988 S *	1/2011	Schneider	D12/196
D645,803 S *	9/2011	Kumai et al.	D12/181
D658,557 S *	5/2012	Hakamata et al.	D12/196
D671,873 S *	12/2012	Yamada et al.	D12/196

OTHER PUBLICATIONS

U.S. Appl. No. 29/424,029, filed Jun. 7, 2012, Hiroyuki Tada et al., Rear Portion of an Automobile.

U.S. Appl. No. 29/424,046, filed Jun. 7, 2012, Hiroyuki Tada et al., Rear Portion of an Automobile.

U.S. Appl. No. 29/424,051, filed Jun. 7, 2012, Hiroyuki Tada et al., Body Portion of an Automobile.

U.S. Appl. No. 29/424,027, filed Jun. 7, 2012, Hiroyuki Tada et al., Automobile and/or Toy Replica Thereof.

U.S. Appl. No. 29/424,093, filed Jun. 7, 2012, Hiroyuki Tada et al., Door for an Automobile.

U.S. Appl. No. 29/424,107, filed Jun. 7, 2012, Hiroyuki Tada et al., Rear Fender for an Automobile.

U.S. Appl. No. 29/424,113, filed Jun. 7, 2012, Hiroyuki Tada et al., Rear Fender for an Automobile.

U.S. Appl. No. 29/424,127, filed Jun. 7, 2012, Hiroyuki Tada et al., Side Panel for an Automobile.

AutoCone.com; FunCargo; Mfg.: Toyota; <http://autoc-onejp/toyota/funcargo/photo/2/> (2004).

Yunyusa no subete 2007; Kangoo; Mfg.: Renault; Publisher: San-eishobo Publishing Co., Ltd.; (May 6, 2007).

* cited by examiner

Primary Examiner — Philip S Hyder

Assistant Examiner — Darlington Ly

(74) *Attorney, Agent, or Firm* — Finnegan, Henderson, Farabow, Garrett & Dunner, LLP

(57) **CLAIM**

The ornamental design for a rear fender for an automobile, as shown and described.

DESCRIPTION

FIG. 1 is a perspective view of a rear fender for an automobile showing our new design;

FIG. 2 is a front view thereof;

FIG. 3 is rear view thereof;

FIG. 4 is a left side view thereof;

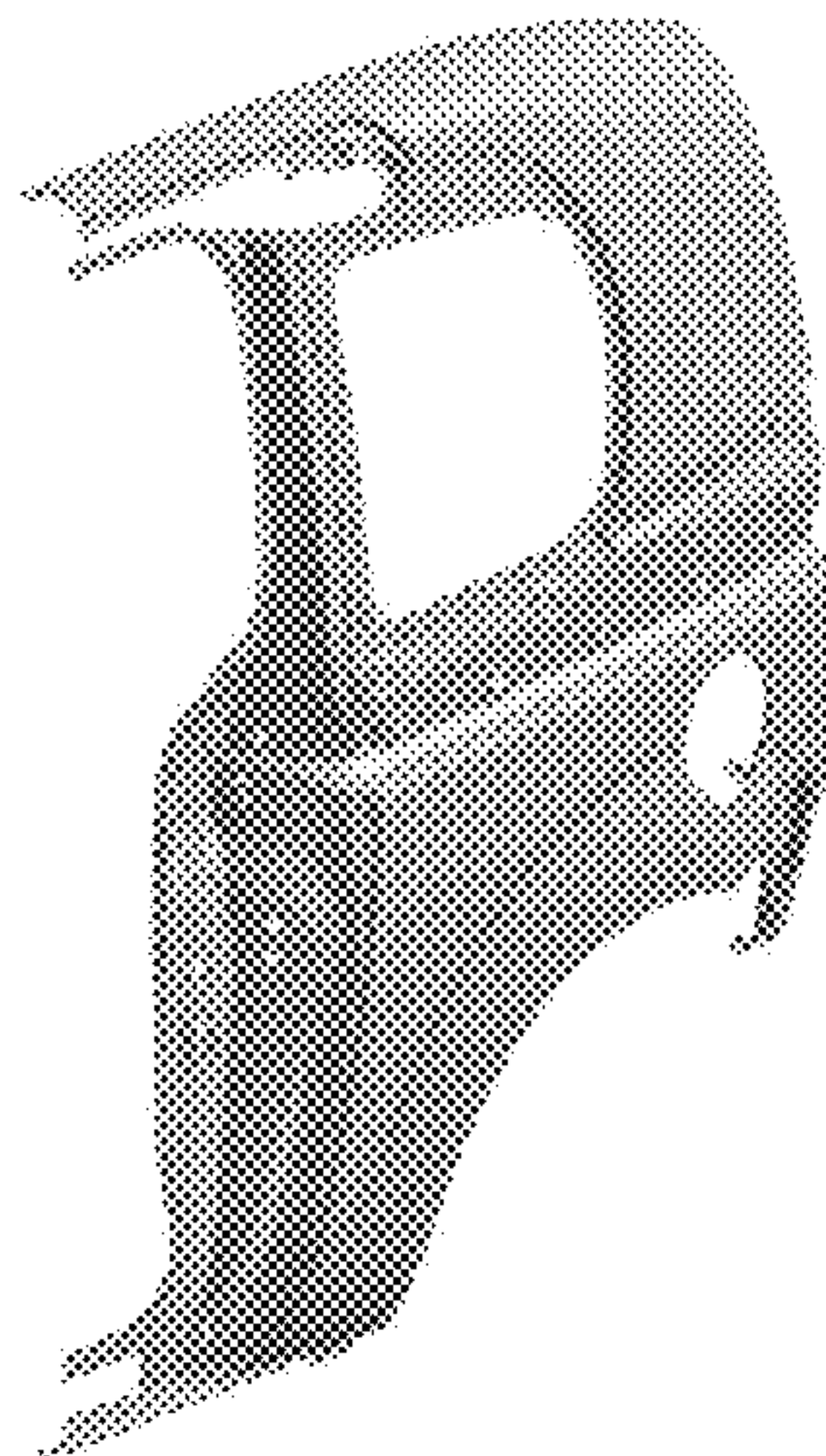
FIG. 5 is a right side view thereof;

FIG. 6 is a top plan view thereof; and,

FIG. 7 is a bottom view.

Our design includes the mirror image of the embodiment depicted.

1 Claim, 4 Drawing Sheets



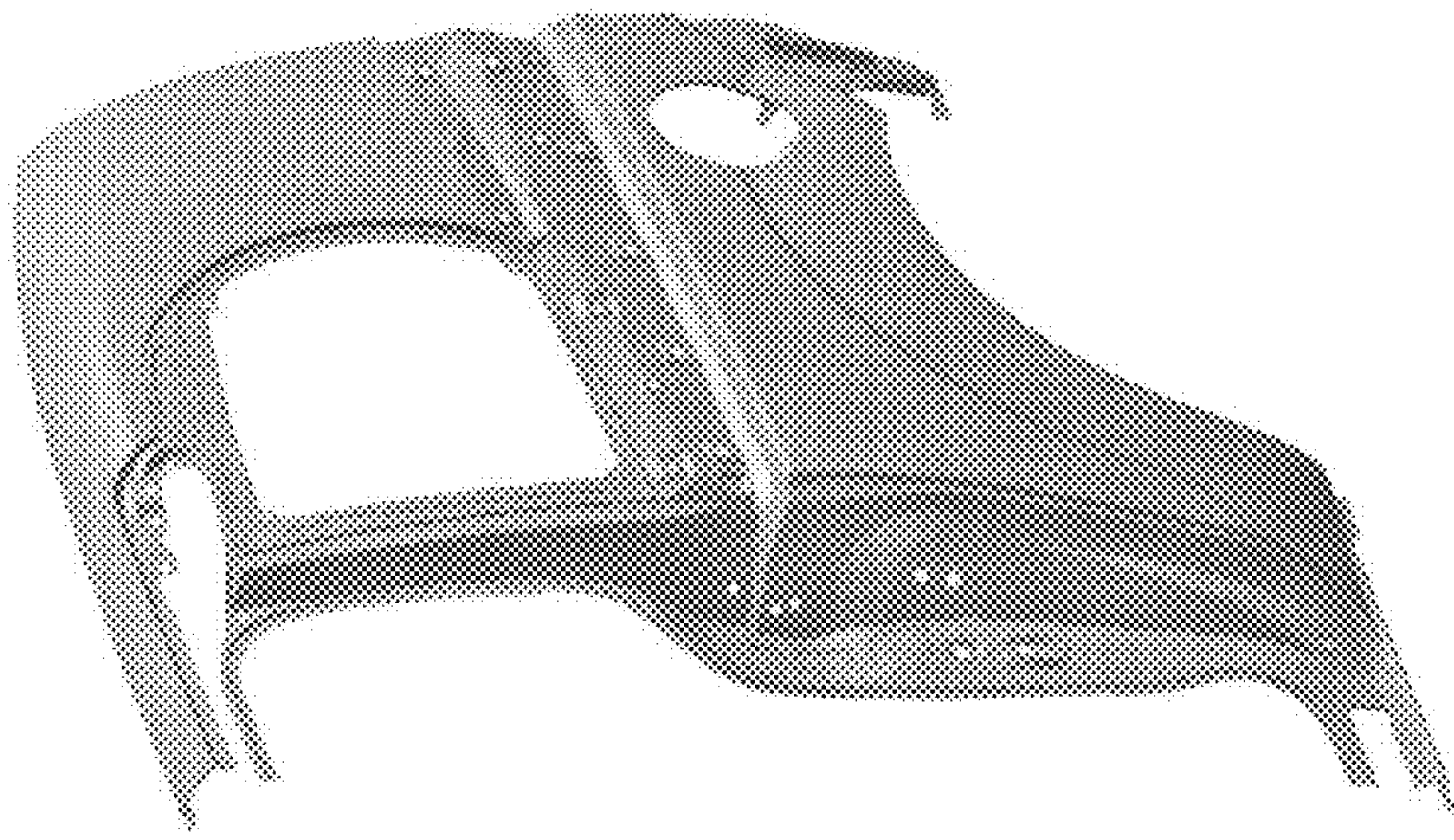


FIG. 1

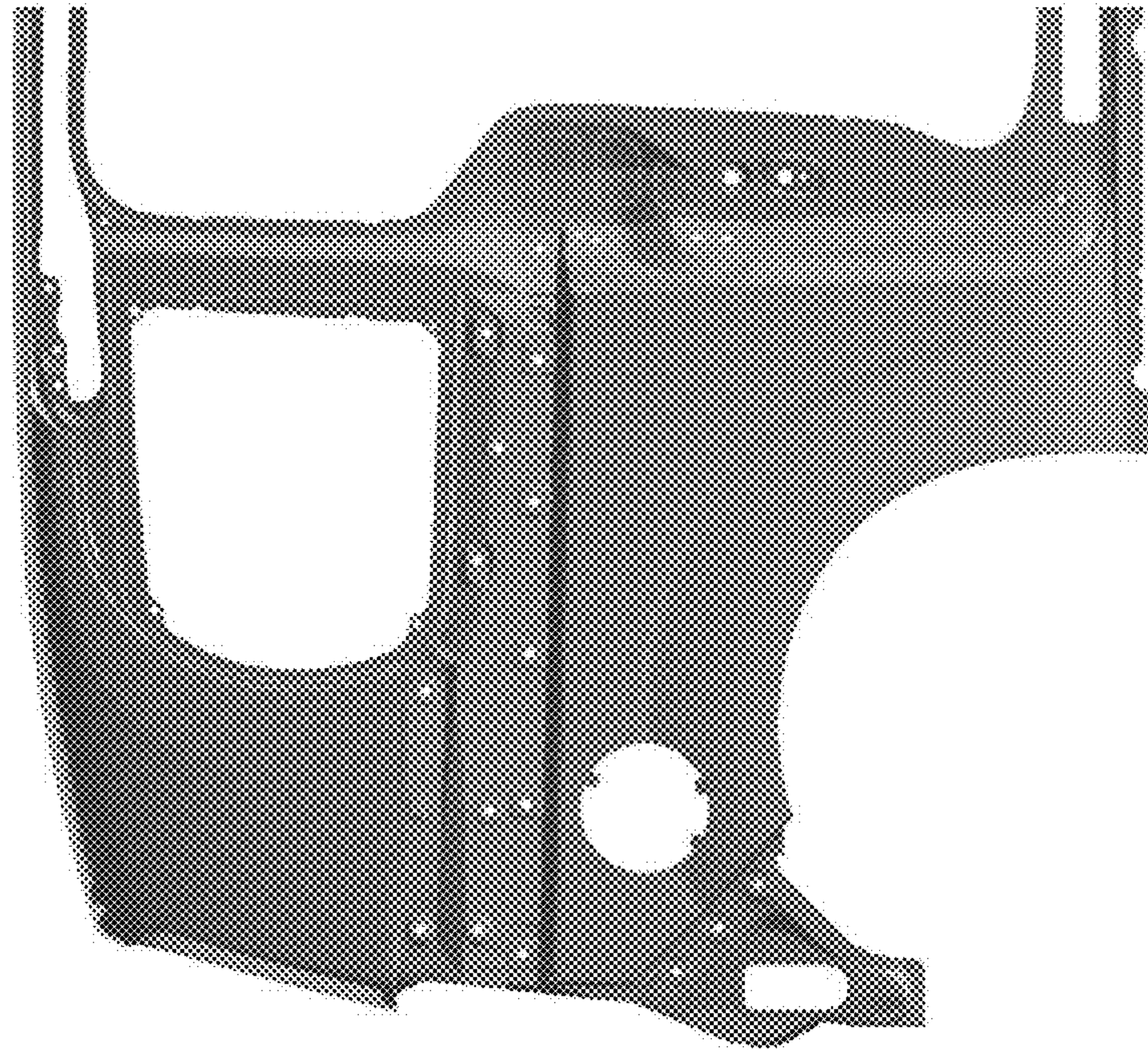


FIG. 3

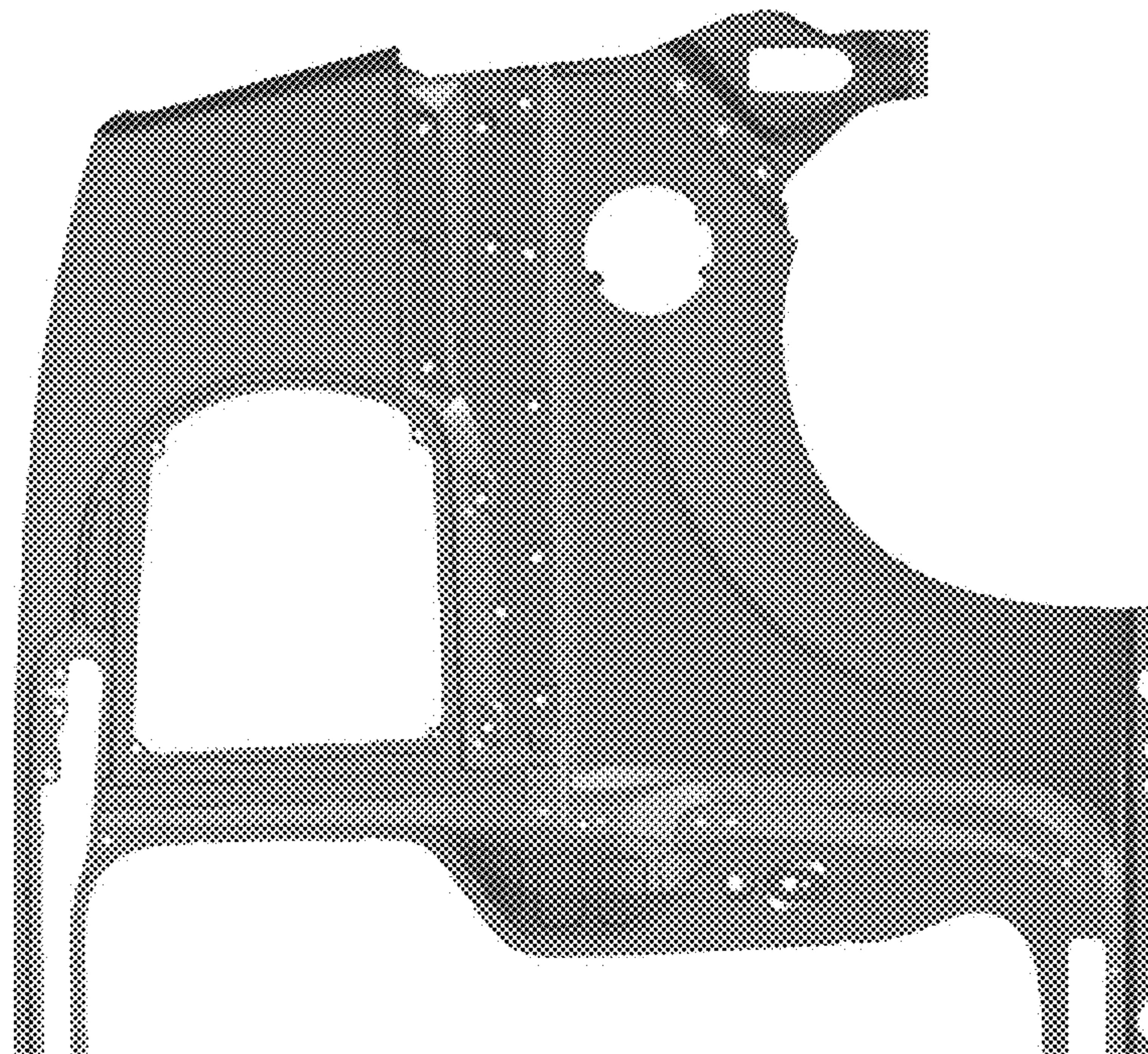


FIG. 2



FIG. 5



FIG. 4

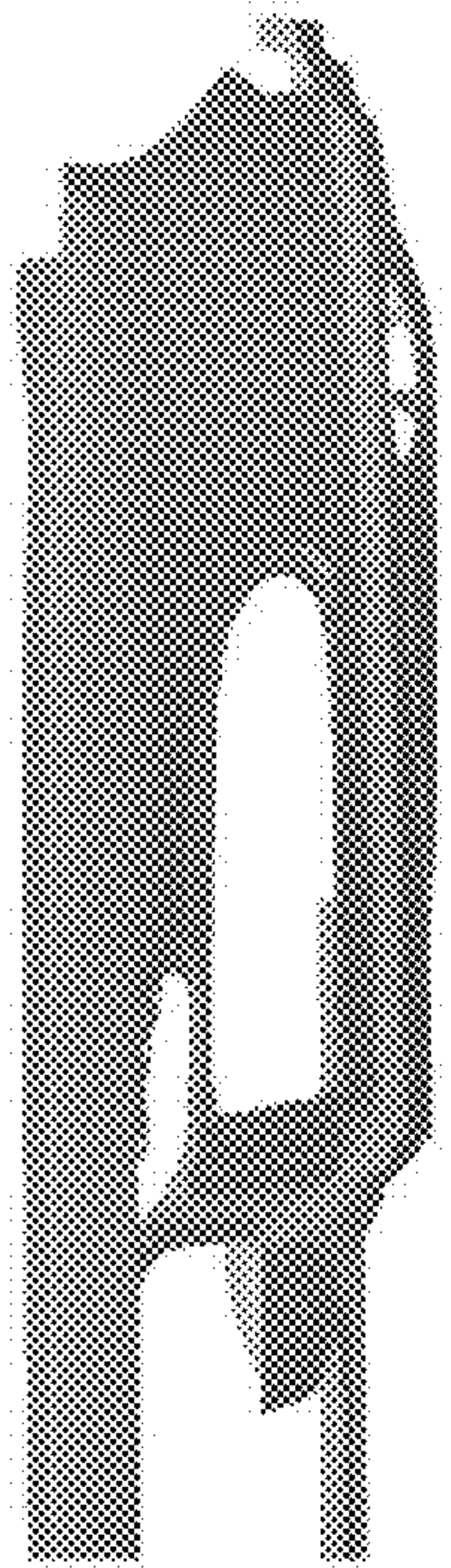


FIG. 6

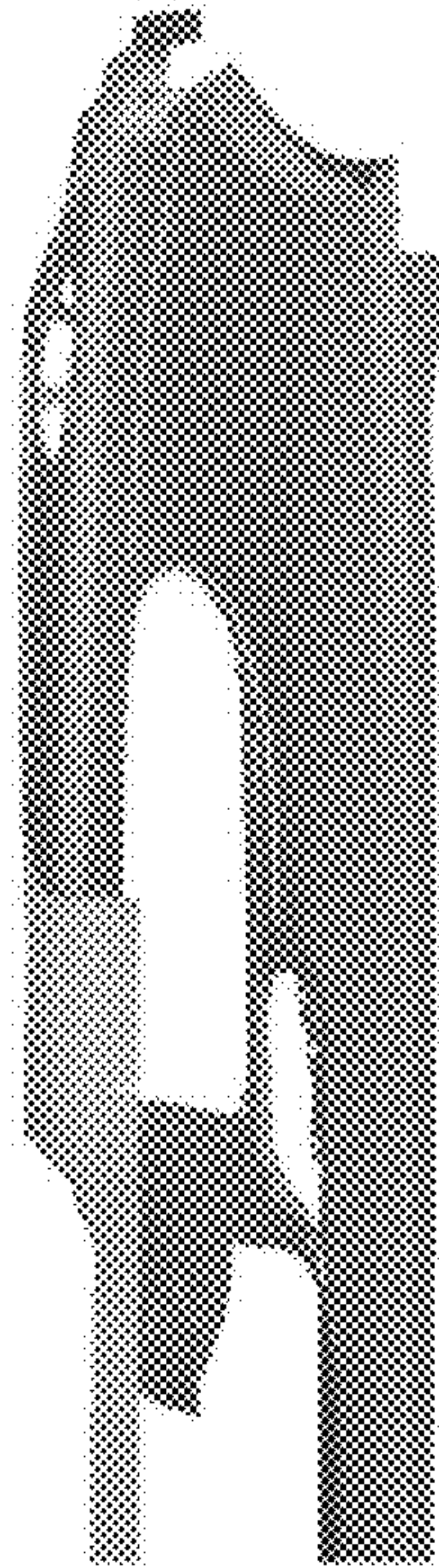


FIG. 7