

US00D682170S

(12) **United States Design Patent**  
**Tomatsu**

(10) **Patent No.:** **US D682,170 S**

(45) **Date of Patent:** **\*\* \*May 14, 2013**

(54) **AUTOMOBILE AND/OR TOY REPLICA THEREOF**

(75) Inventor: **Nobuyuki Tomatsu**, Nagoya (JP)

(73) Assignee: **Toyota Jidosha Kabushiki Kaisha** (JP)

(\*) Notice: This patent is subject to a terminal disclaimer.

(\*\*) Term: **14 Years**

(21) Appl. No.: **29/426,334**

(22) Filed: **Jul. 3, 2012**

**Related U.S. Application Data**

(62) Division of application No. 29/388,890, filed on Apr. 4, 2011, now Pat. No. Des. 669,406.

(30) **Foreign Application Priority Data**

Jan. 7, 2011	(JP)	.....	2011-000242
Jan. 7, 2011	(JP)	.....	2011-000243
Jan. 7, 2011	(JP)	.....	2011-000244
Jan. 7, 2011	(JP)	.....	2011-000245
Jan. 7, 2011	(JP)	.....	2011-000246

(51) **LOC (9) Cl.** ..... **12-16**

(52) **U.S. Cl.**  
USPC ..... **D12/169**

(58) **Field of Classification Search** ..... D12/163,  
D12/196, 171, 169, 216, 90-92, 86, 190;  
180/68.1, 68.6; 296/193.11  
See application file for complete search history.

(56) **References Cited**

**U.S. PATENT DOCUMENTS**

D501,435 S	2/2005	Hosoda et al.
D536,284 S	2/2007	Nakamura et al.
D538,716 S	3/2007	Hogios
D539,196 S	3/2007	Pfeiffer
D539,707 S	4/2007	Golden et al.

D578,444 S	10/2008	Kuo	
D587,636 S	3/2009	Kanno et al.	
D592,560 S	5/2009	Bauer et al.	
D596,088 S	7/2009	Camacho et al.	
D605,989 S	12/2009	Leng et al.	
D619,514 S *	7/2010	Syouji et al.	D12/169
D620,850 S *	8/2010	Sakae et al.	D12/169
D637,533 S *	5/2011	Miyazawa et al.	D12/169
D640,614 S *	6/2011	Kumai et al.	D12/169
D640,958 S *	7/2011	Yokoi et al.	D12/169
D669,406 S *	10/2012	Tomatsu	D12/190
2006/0119115 A1	6/2006	Filip et al.	

**OTHER PUBLICATIONS**

2009 Audi A6, www.netcarshow.com, posted by NetCarShow at least as early as 2009.

2011 Lexus CT200h, www.netcarshow.com, publicly known at least as early as Mar. 2010.

\* cited by examiner

*Primary Examiner* — Melody N Brown

(74) *Attorney, Agent, or Firm* — SAIDMAN Designlaw Group

(57) **CLAIM**

The ornamental design for an automobile and/or toy replica thereof, as shown and described.

**DESCRIPTION**

FIG. 1 is a perspective view of an automobile and/or toy replica thereof showing my new design;

FIG. 2 is a left side view thereof, the right side view being a mirror image;

FIG. 3 is a top view thereof;

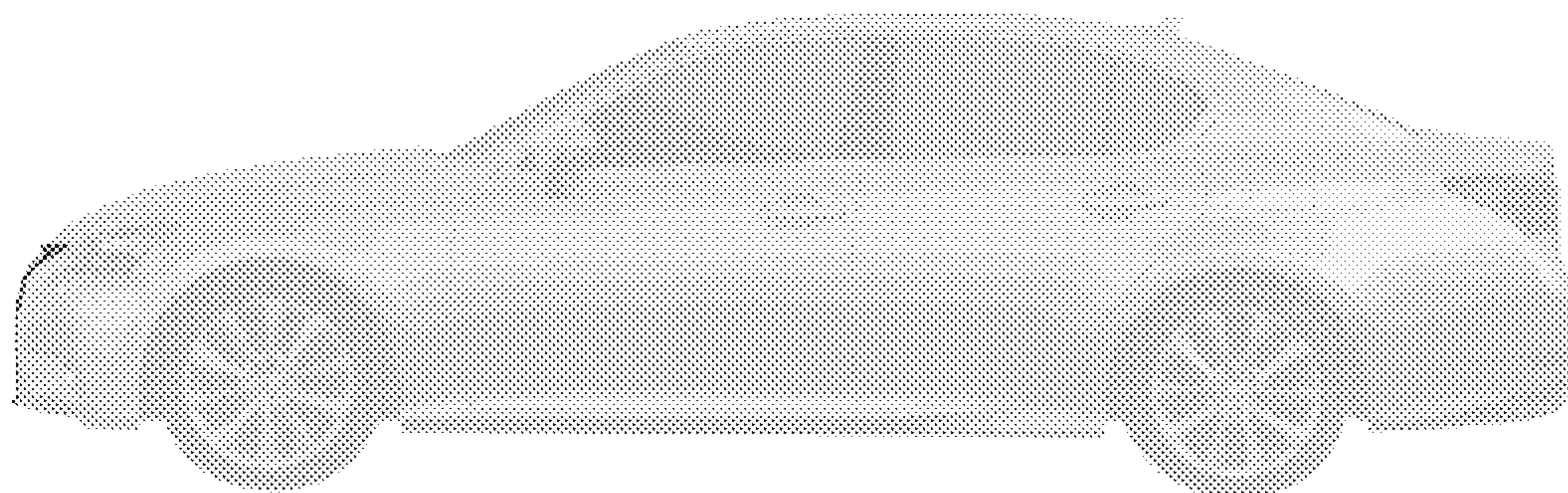
FIG. 4 is a front view thereof;

FIG. 5 is an enlarged view showing a portion of FIG. 1 defined by line 5-5; and,

FIG. 6 is an enlarged view showing a portion of FIG. 4 defined by lines 6-6.

The claimed design is indicated by the relatively dark portions, while the relatively light portions are environmental and form no part of the claimed design.

**1 Claim, 4 Drawing Sheets**



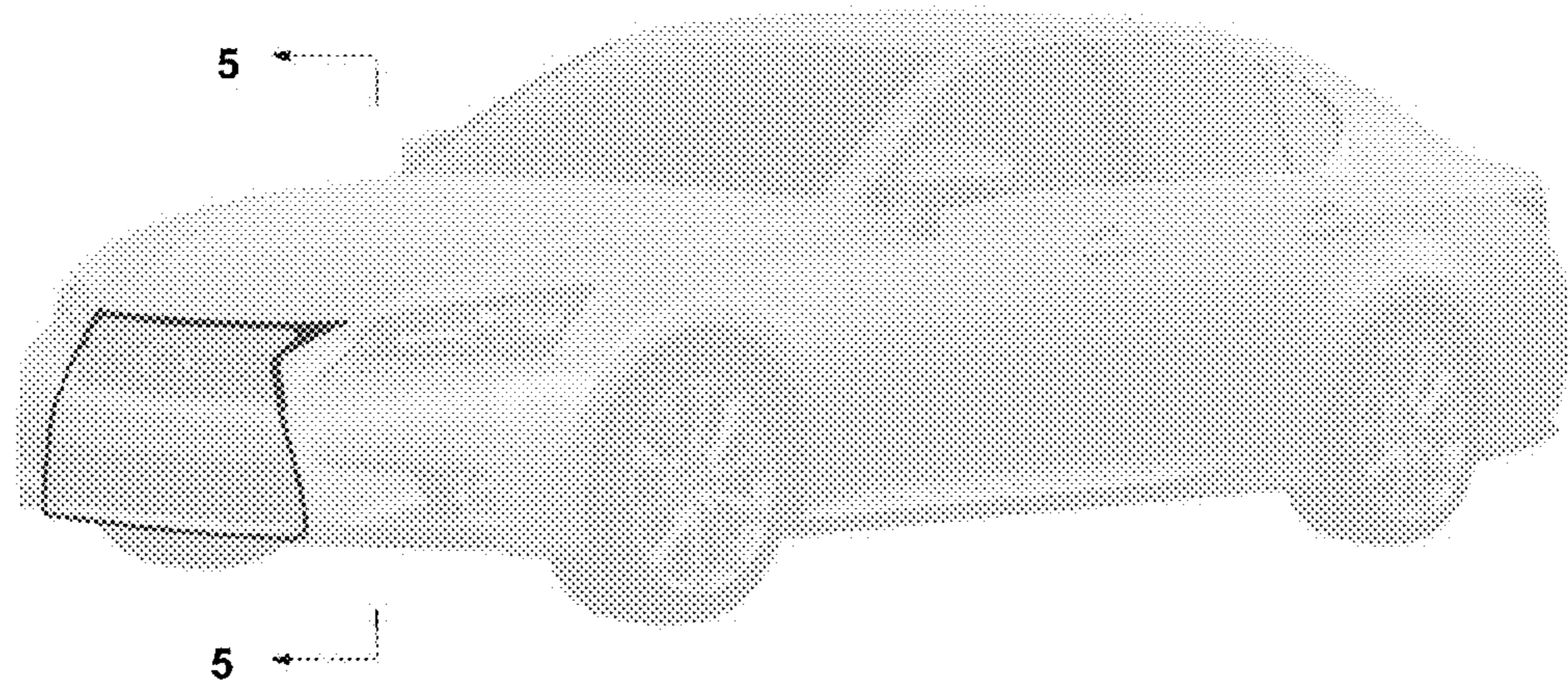


FIG. 1

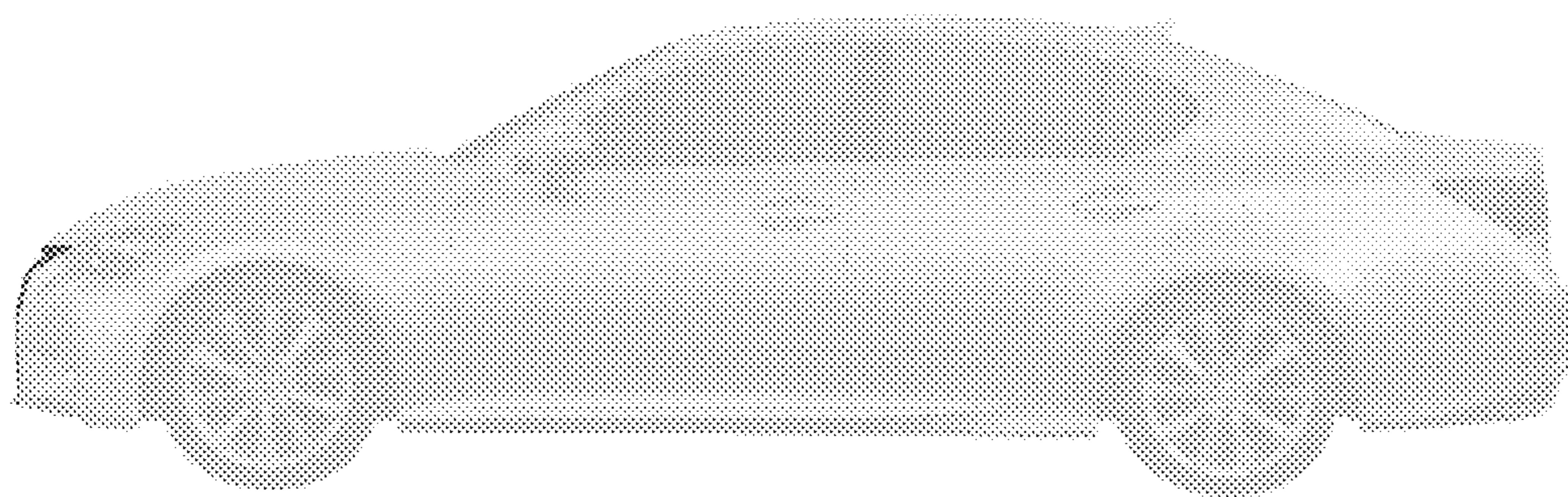


FIG. 2

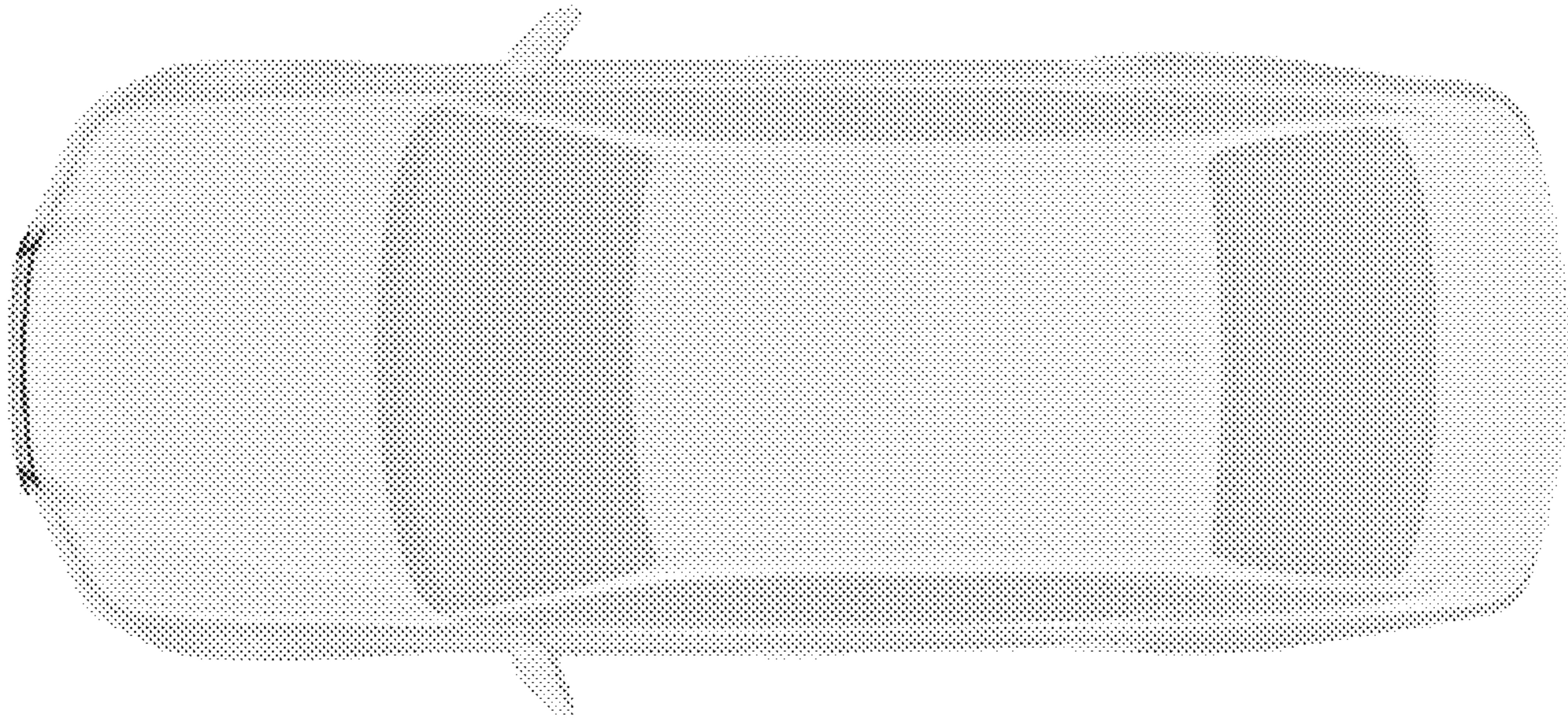


FIG. 3

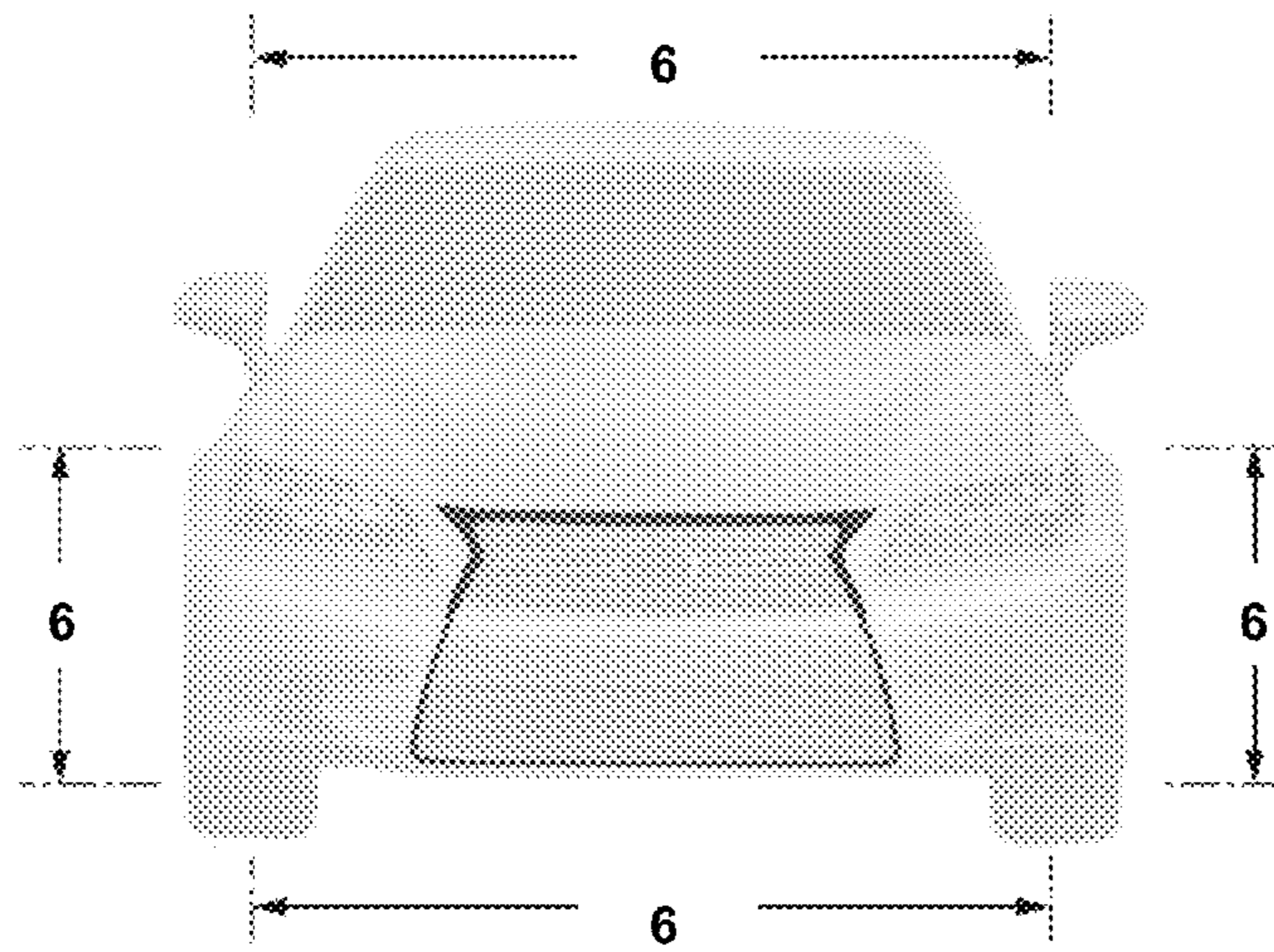


FIG. 4

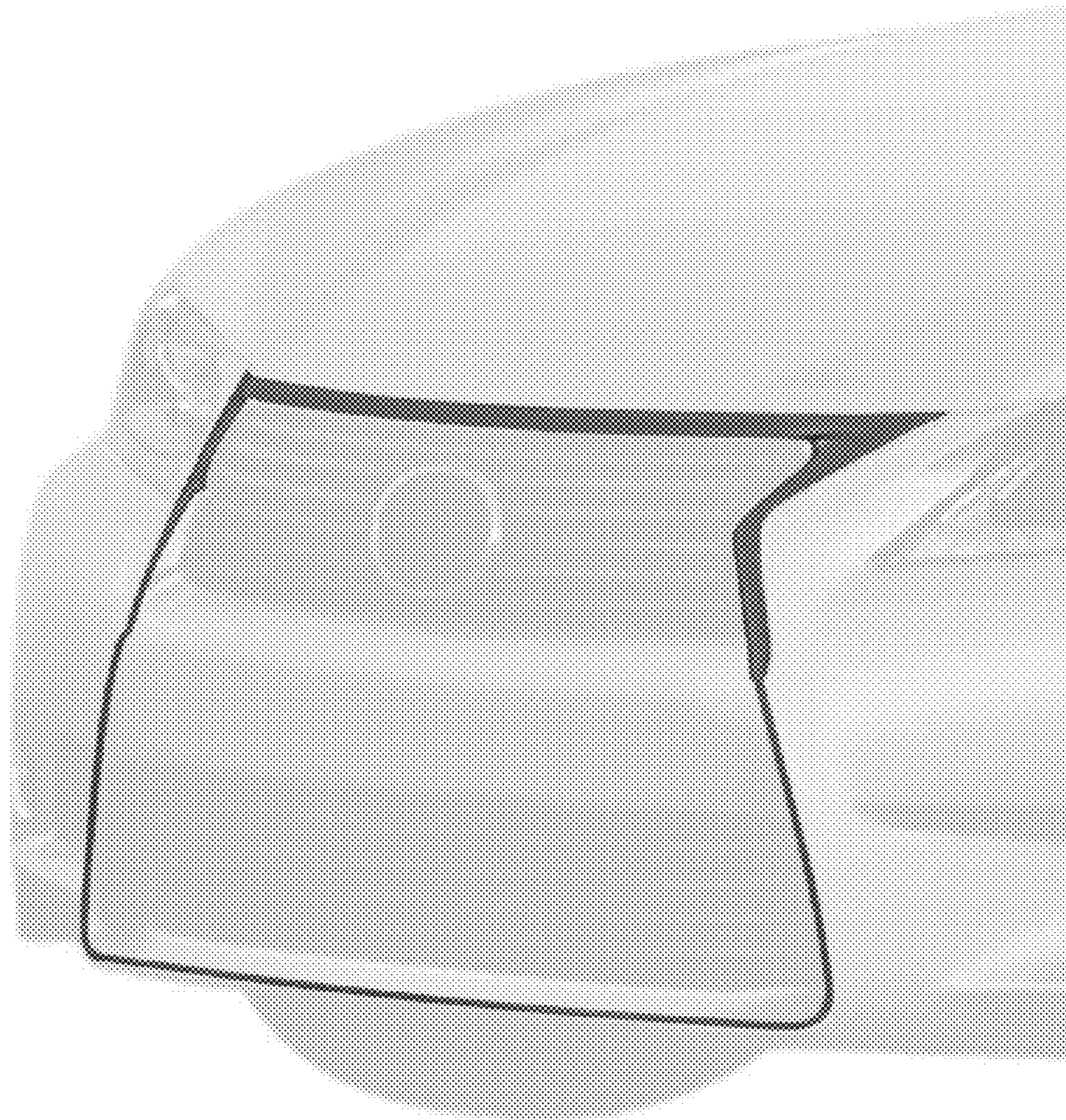


FIG. 5

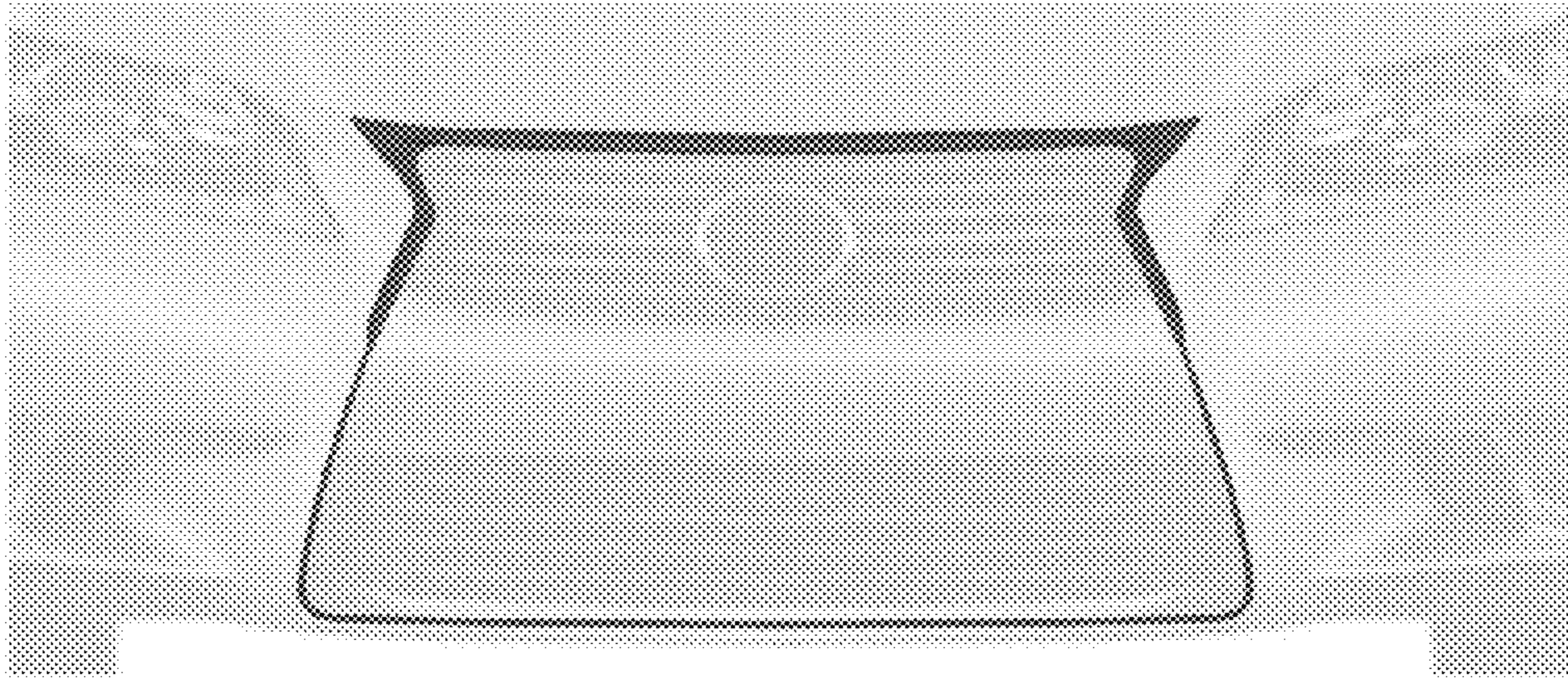


FIG. 6