



US00D682168S

(12) **United States Design Patent**  
**Fuchigami**

(10) **Patent No.:** **US D682,168 S**

(45) **Date of Patent:** **\*\* May 14, 2013**

(54) **FRONT BUMPER FOR AUTOMOBILE**

D664,485 S \* 7/2012 Xu et al. .... D12/169  
D665,711 S \* 8/2012 Matsuno et al. .... D12/169  
D665,712 S \* 8/2012 Tanai ..... D12/169

(75) Inventor: **Hideyuki Fuchigami**, Kanagawa-ken  
(JP)

**FOREIGN PATENT DOCUMENTS**

(73) Assignee: **Nissan Jidosha Kabushiki Kaisha**,  
Kanagawa (JP)

JP D1410041 3/2011  
KR 3005018380000 8/2008

(\*\*) Term: **14 Years**

**OTHER PUBLICATIONS**

(21) Appl. No.: **29/414,172**

Nissan Jidosha Kabushiki Kaisha, Office Action dated Jun. 13, 2012  
(with English Translation) in Russian design application No.  
2012500735, filed on Feb. 29, 2012.

(22) Filed: **Feb. 24, 2012**

\* cited by examiner

(30) **Foreign Application Priority Data**

*Primary Examiner* — Melody Brown

Feb. 1, 2012 (JP) ..... 2012-001986

(74) *Attorney, Agent, or Firm* — Fross Zelnick Lehrman &  
Zissu, P.C.; Lawrence E. Apolzon, Esq.

(51) **LOC (9) Cl.** ..... **12-16**

(57) **CLAIM**

(52) **U.S. Cl.**

The ornamental design for a front bumper for automobile, as  
shown and described.

USPC ..... **D12/169**

(58) **Field of Classification Search** ..... D12/169,  
D12/196, 171, 216, 163, 86, 90-92; 293/102,  
293/113, 115, 117, 120; 296/180.1, 180.2  
See application file for complete search history.

**DESCRIPTION**

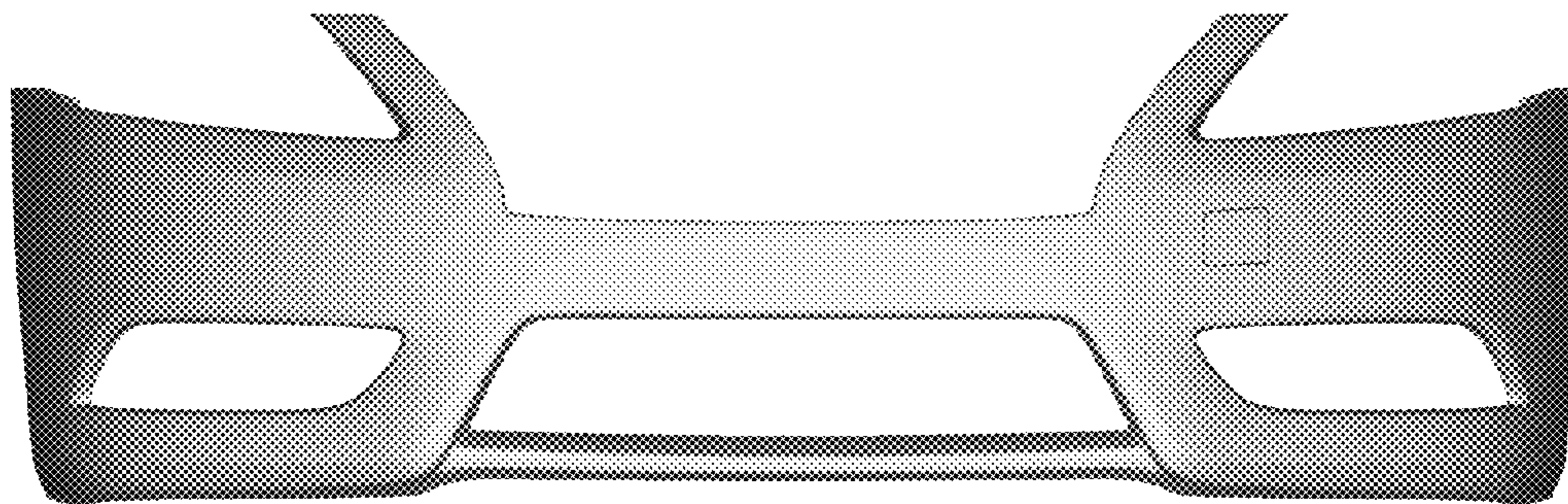
(56) **References Cited**

FIG. 1 is a perspective view of a front bumper for automobile  
showing my new design;  
FIG. 2 is a front view thereof;  
FIG. 3 is a left side view thereof;  
FIG. 4 is a right side view thereof;  
FIG. 5 is a top view thereof; and,  
FIG. 6 is a bottom view thereof.

**U.S. PATENT DOCUMENTS**

D578,450 S 10/2008 Jodo et al.  
D622,193 S \* 8/2010 Koyama ..... D12/169  
D662,866 S \* 7/2012 Fukui et al. .... D12/169

**1 Claim, 2 Drawing Sheets**



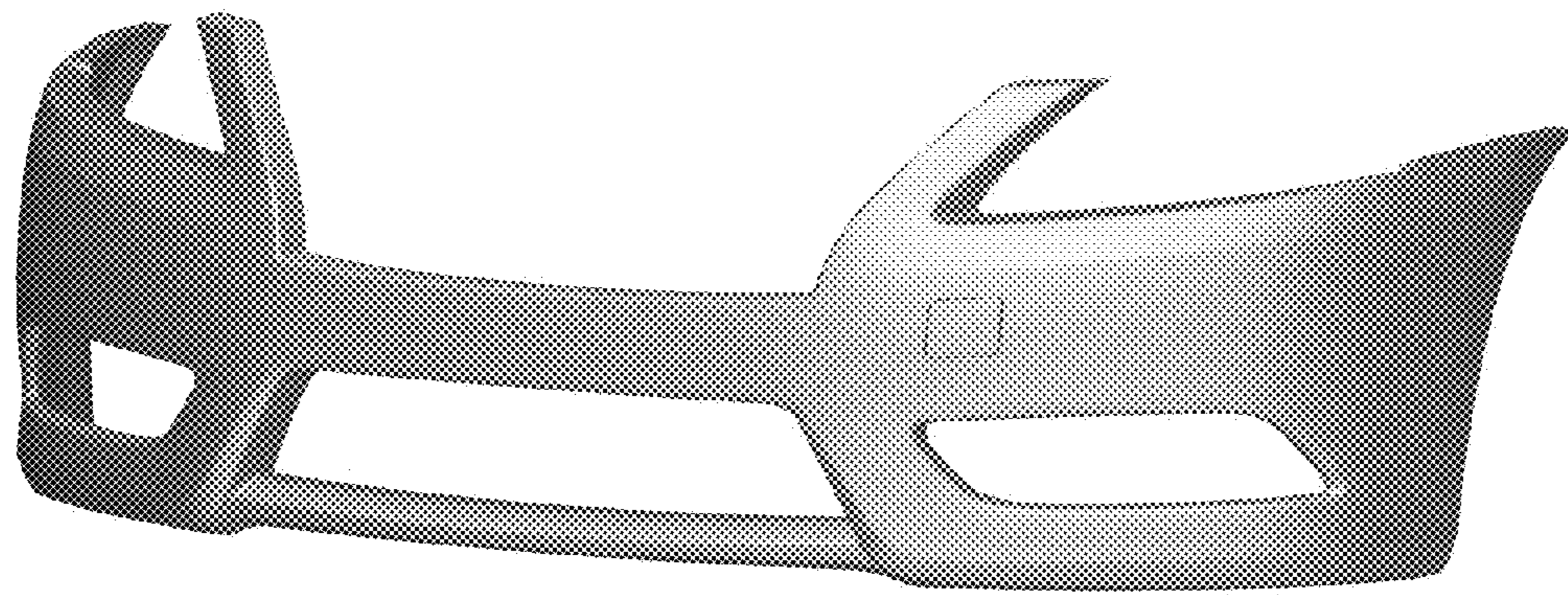


FIG. 1

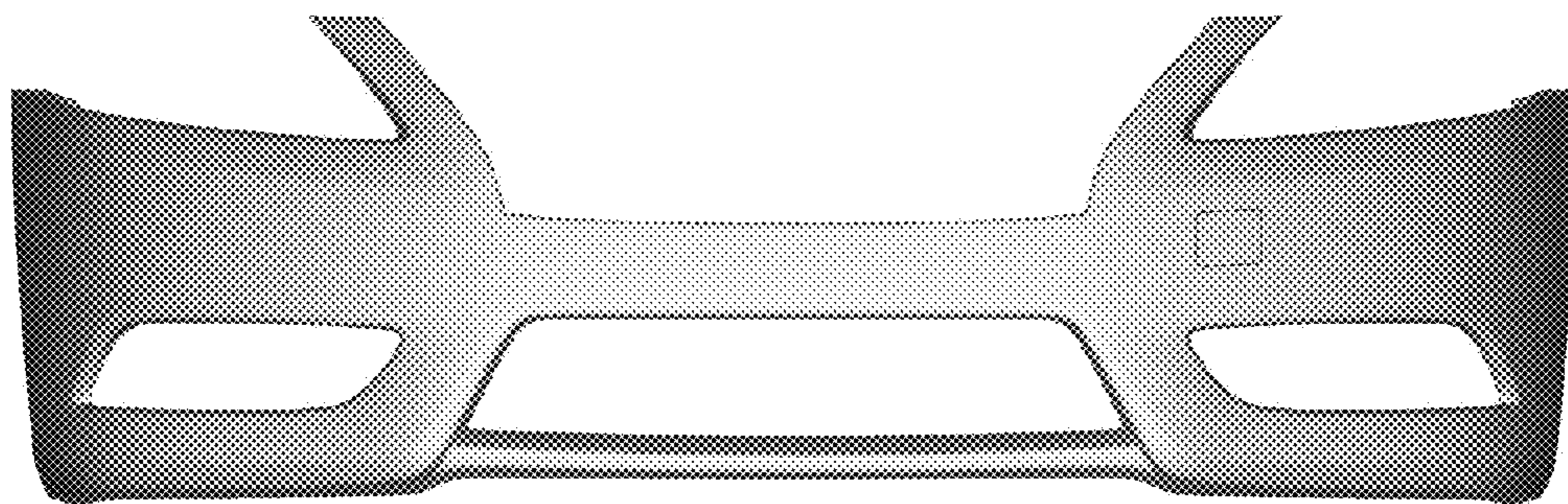


FIG. 2



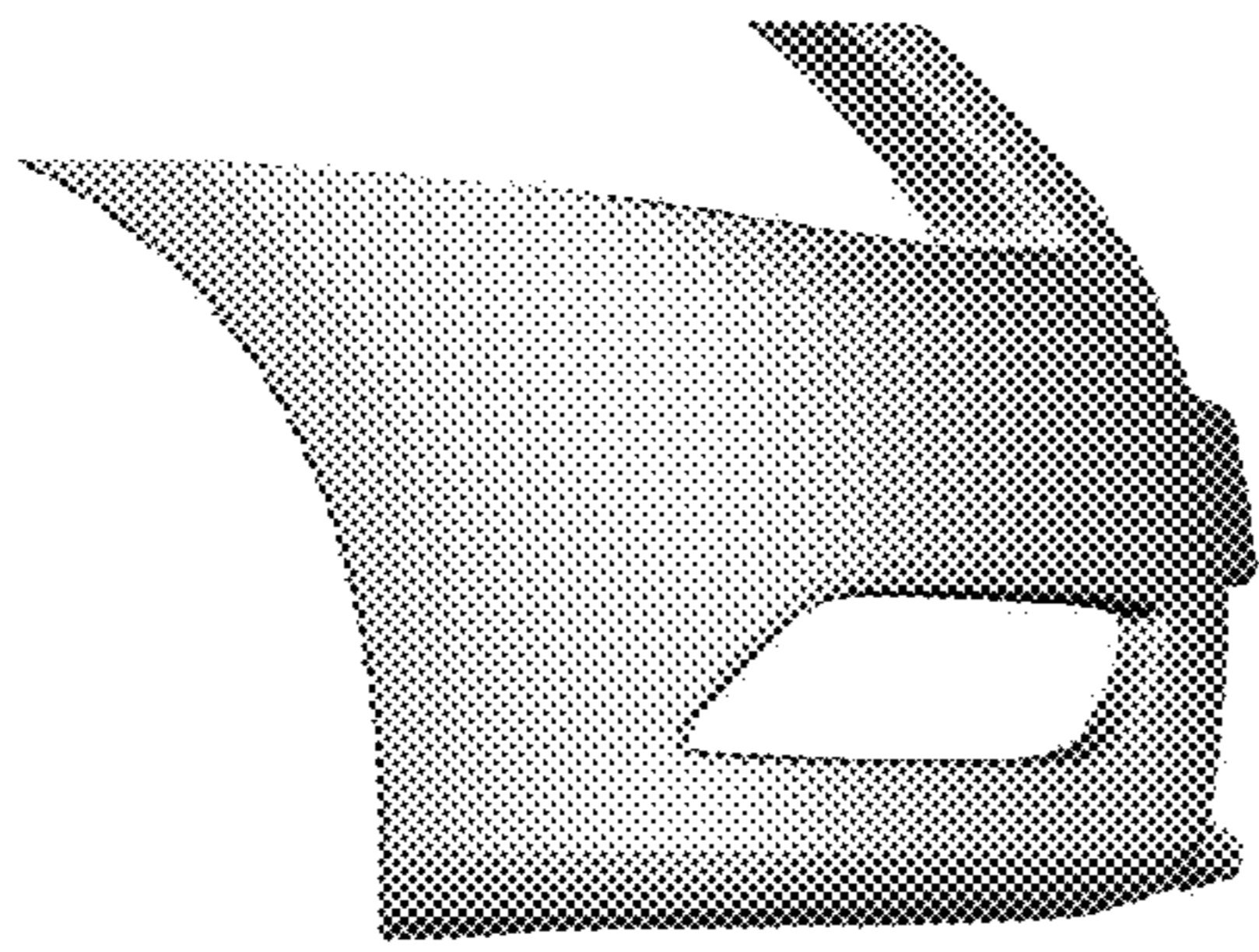


FIG. 3

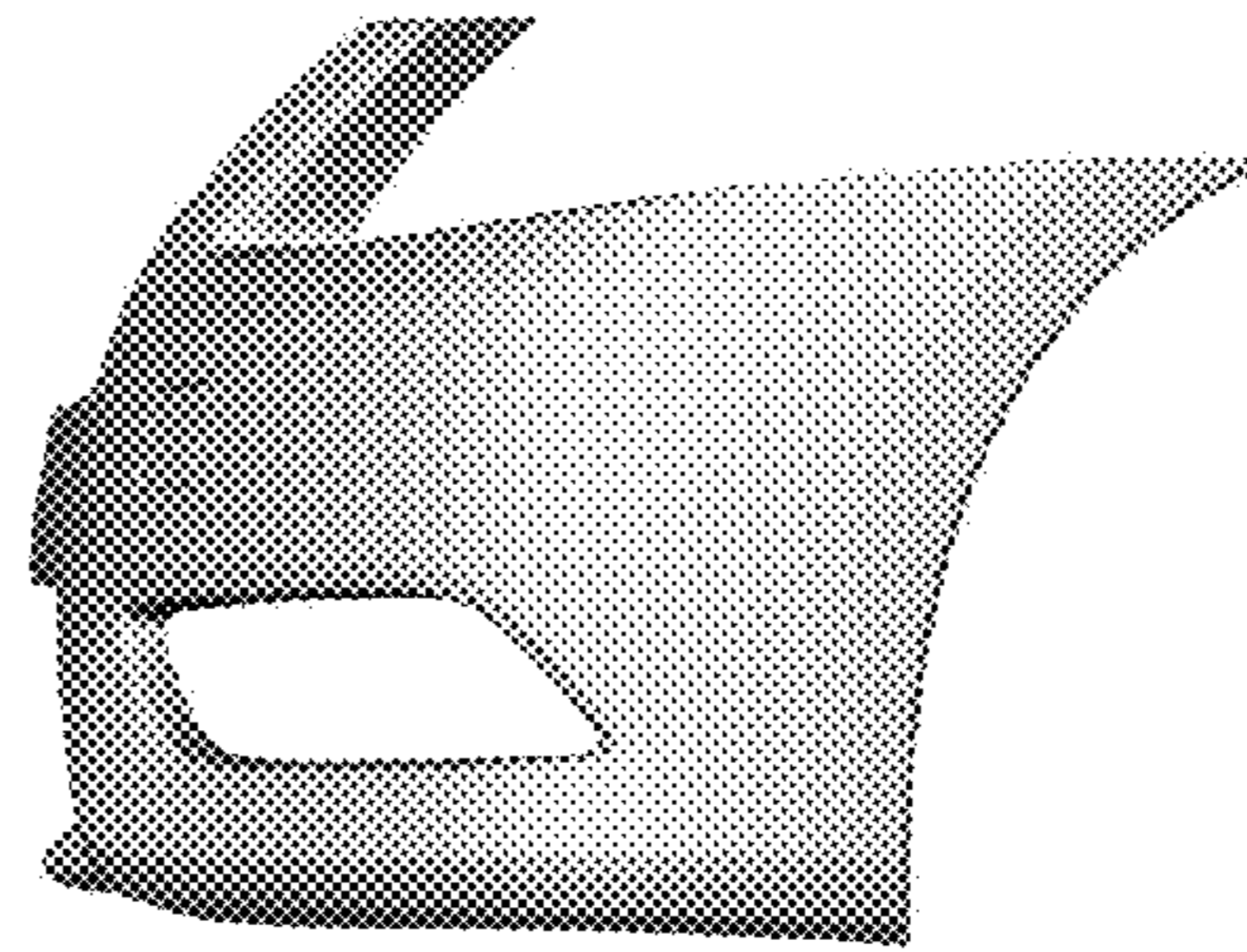


FIG. 4

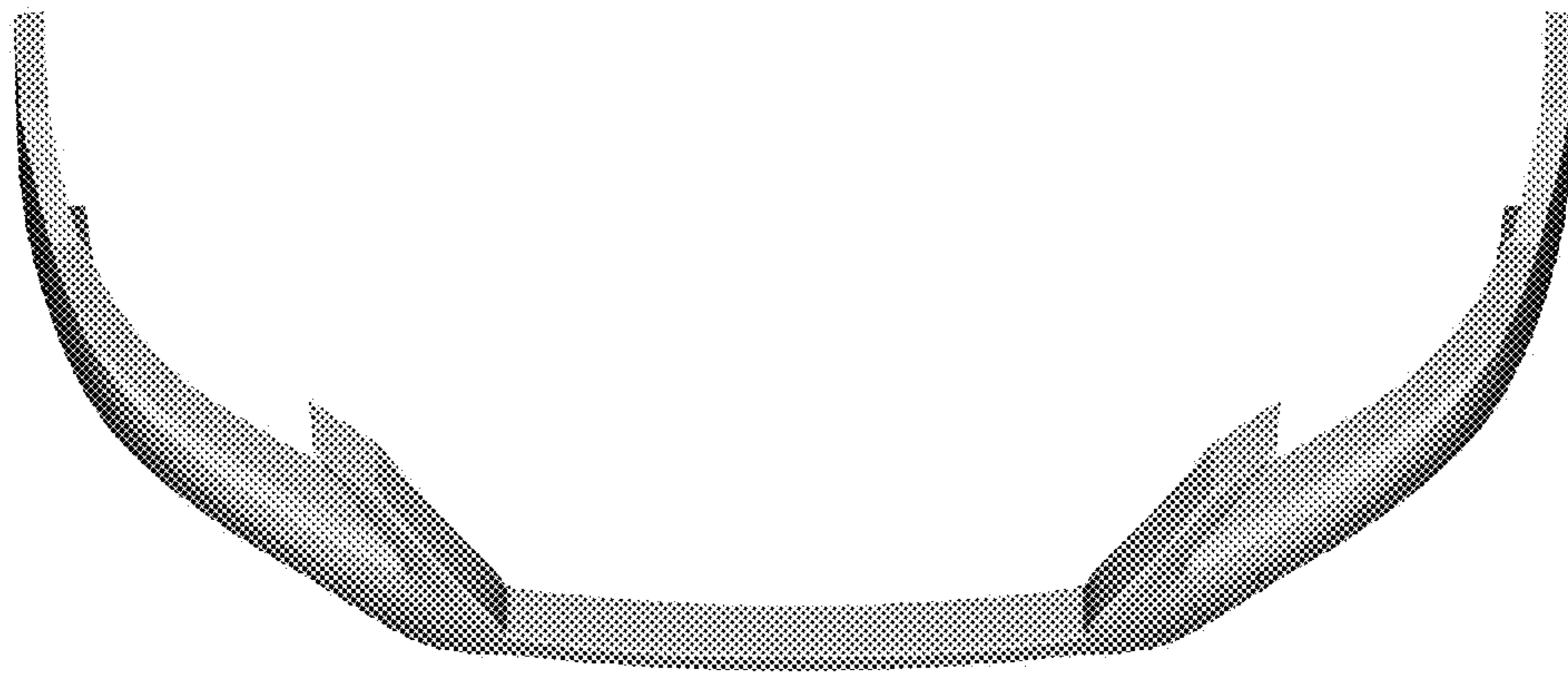


FIG. 5

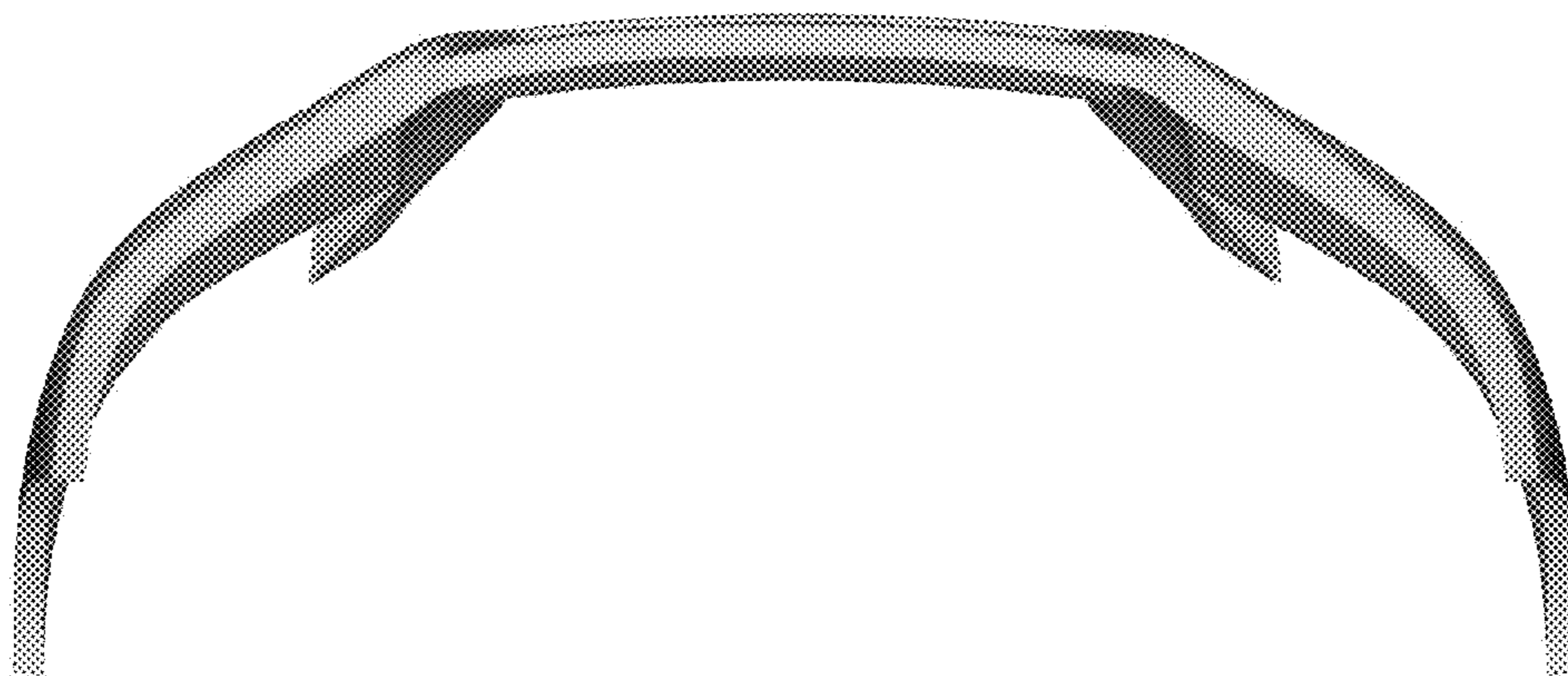


FIG. 6