



US00D682164S

(12) **United States Design Patent**
Fuchigami

(10) **Patent No.:** **US D682,164 S**

(45) **Date of Patent:** **** May 14, 2013**

(54) **RADIATOR GRILL FOR AUTOMOBILE**

FOREIGN PATENT DOCUMENTS

(75) Inventor: **Hideyuki Fuchigami**, Kanagawa-ken
(JP)

EM 001600925-0009 12/2009
JP D1412380 4/2012

(73) Assignee: **Nissan Motor Co., Ltd.**, Kanagawa (JP)

OTHER PUBLICATIONS

(**) Term: **14 Years**

Nissan Jidosha Kabushiki Kaisha, Office Action dated Jun. 5, 2012 (with English Translation) in Russian design application No. 2012500736, filed on Feb. 29, 2012.

(21) Appl. No.: **29/414,171**

* cited by examiner

(22) Filed: **Feb. 24, 2012**

Primary Examiner — Melody Brown

(30) **Foreign Application Priority Data**

(74) *Attorney, Agent, or Firm* — Fross Zelnick Lehrman & Zissu, P.C.; Lawrence E. Apolzon, Esq.

Feb. 1, 2012 (JP) 2012-001985

(51) **LOC (9) Cl.** **12-16**

(52) **U.S. Cl.**
USPC **D12/163**

(58) **Field of Classification Search** D12/163,
D12/196, 171, 169, 216, 90-92, 86; 180/68.1,
180/68.6; 296/193.11

See application file for complete search history.

(57) **CLAIM**

The ornamental design for a radiator grill for automobile, as shown and described.

(56) **References Cited**

DESCRIPTION

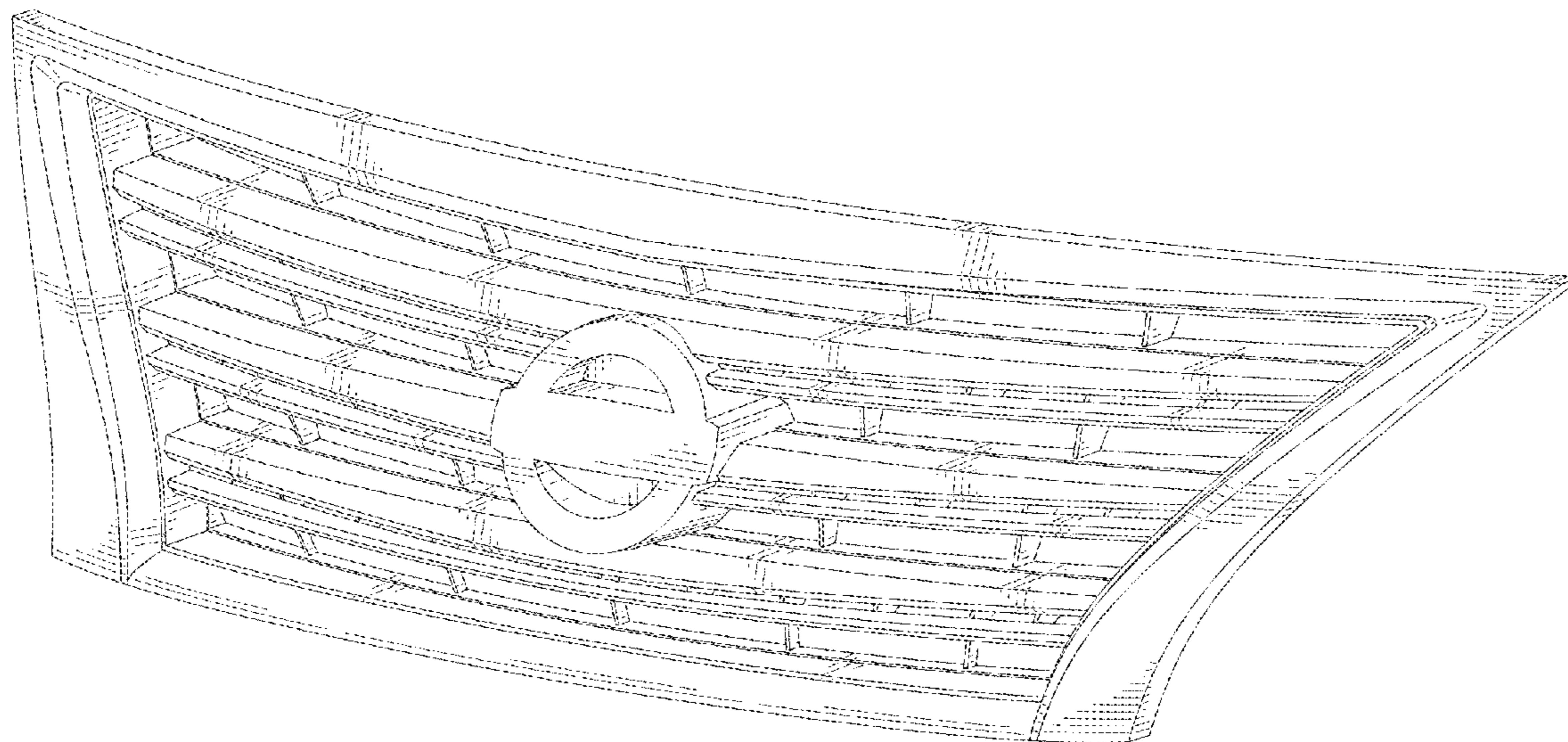
U.S. PATENT DOCUMENTS

D562,741 S * 2/2008 Matsumoto et al. D12/163
D565,480 S * 4/2008 McMahan D12/163
D614,542 S * 4/2010 Kasai et al. D12/163
D614,543 S * 4/2010 Kitazumi et al. D12/163
D616,341 S * 5/2010 Fukui et al. D12/163
D626,464 S * 11/2010 Yanase et al. D12/163
D629,339 S * 12/2010 Choi et al. D12/163
D665,314 S * 8/2012 Fukui et al. D12/163

FIG. 1 is a perspective view of a radiator grill for automobile showing my new design;
FIG. 2 is a front view thereof;
FIG. 3 is a rear view thereof;
FIG. 4 is a left side view thereof;
FIG. 5 is a right side view thereof;
FIG. 6 is a top view thereof; and,
FIG. 7 is a bottom view thereof.

The portions of the article in broken lines are shown for illustrative purposes only and form no part of the claimed design.

1 Claim, 5 Drawing Sheets



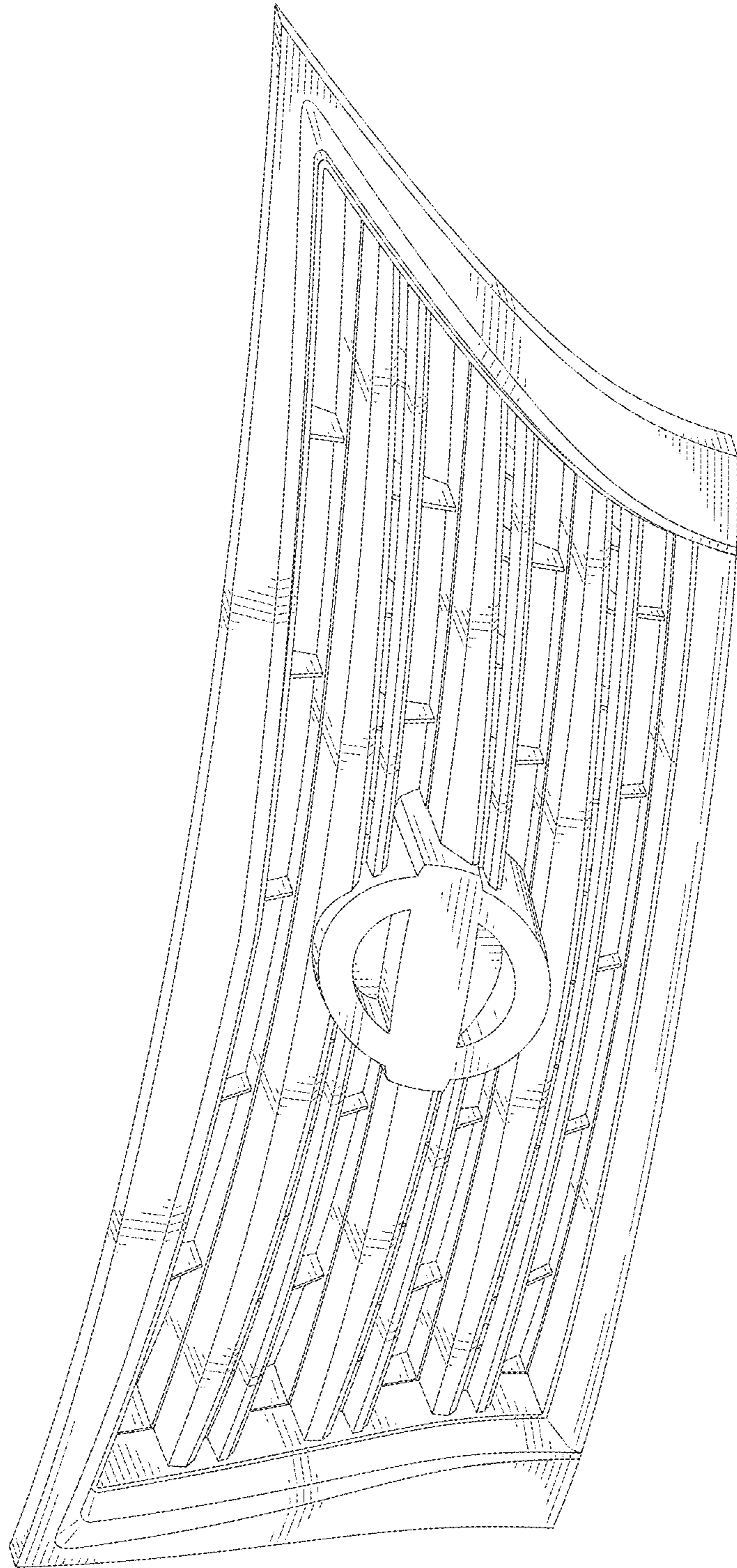


FIG. 1

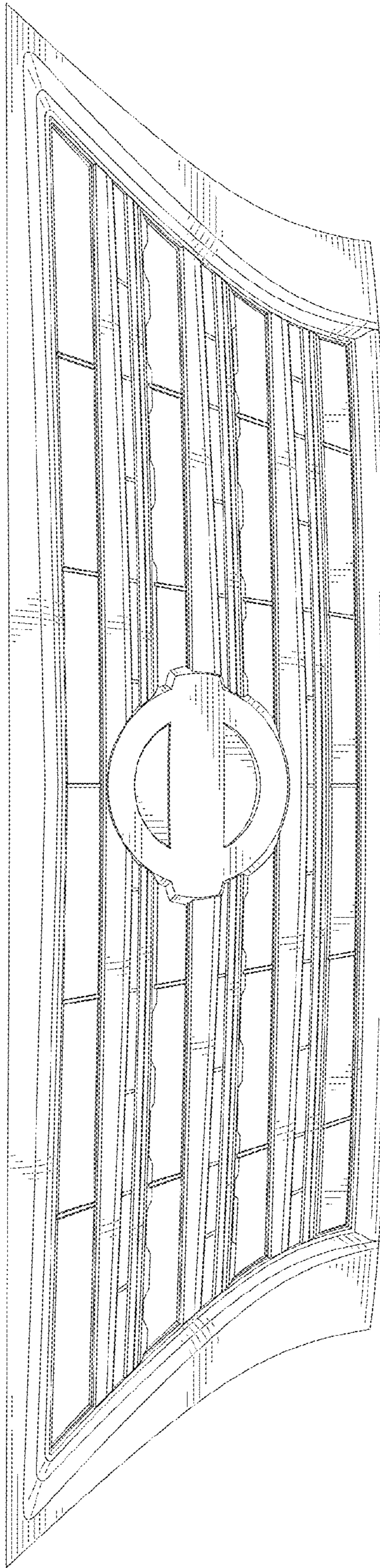


FIG. 2

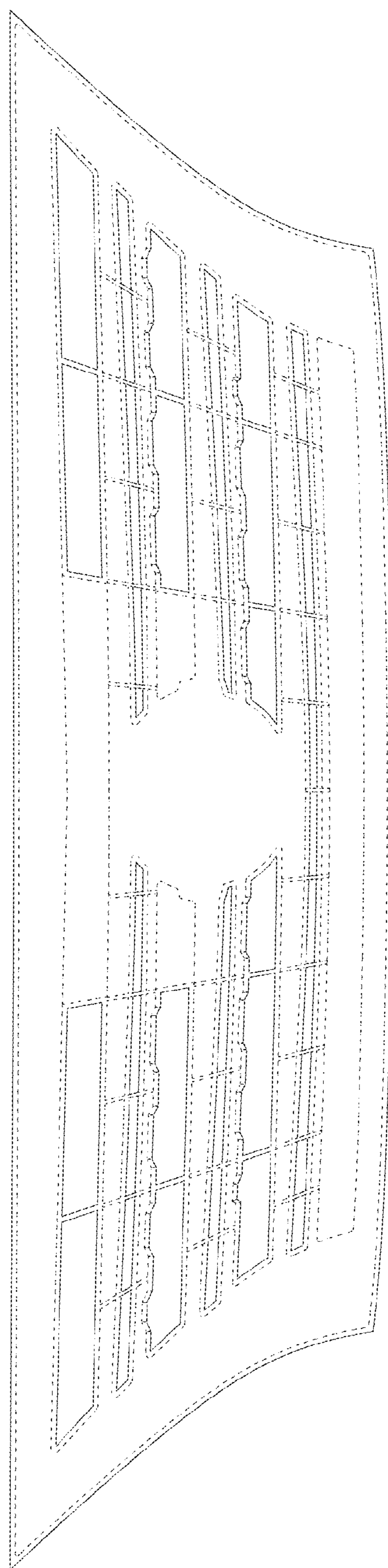


FIG. 3

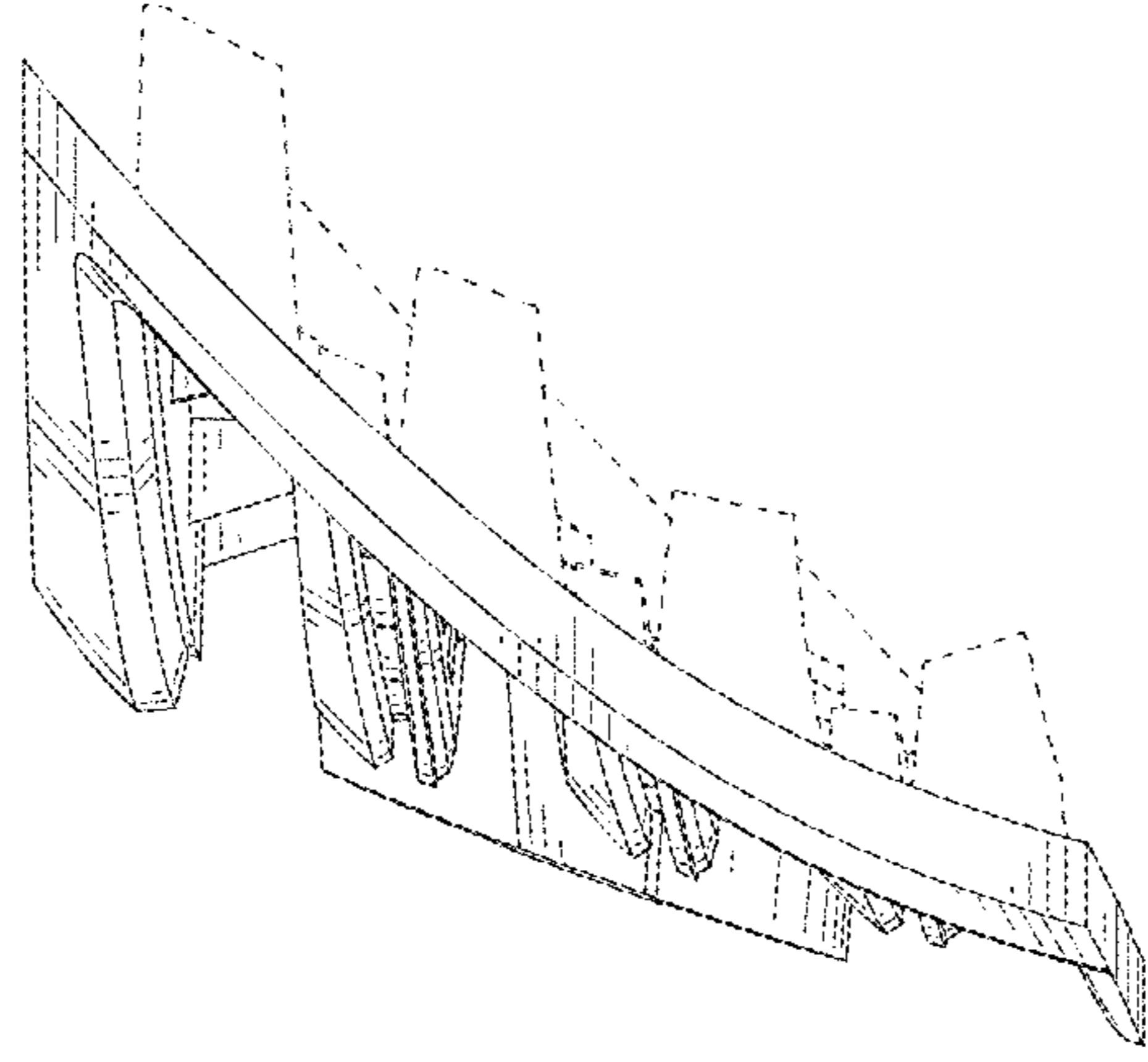


FIG. 5

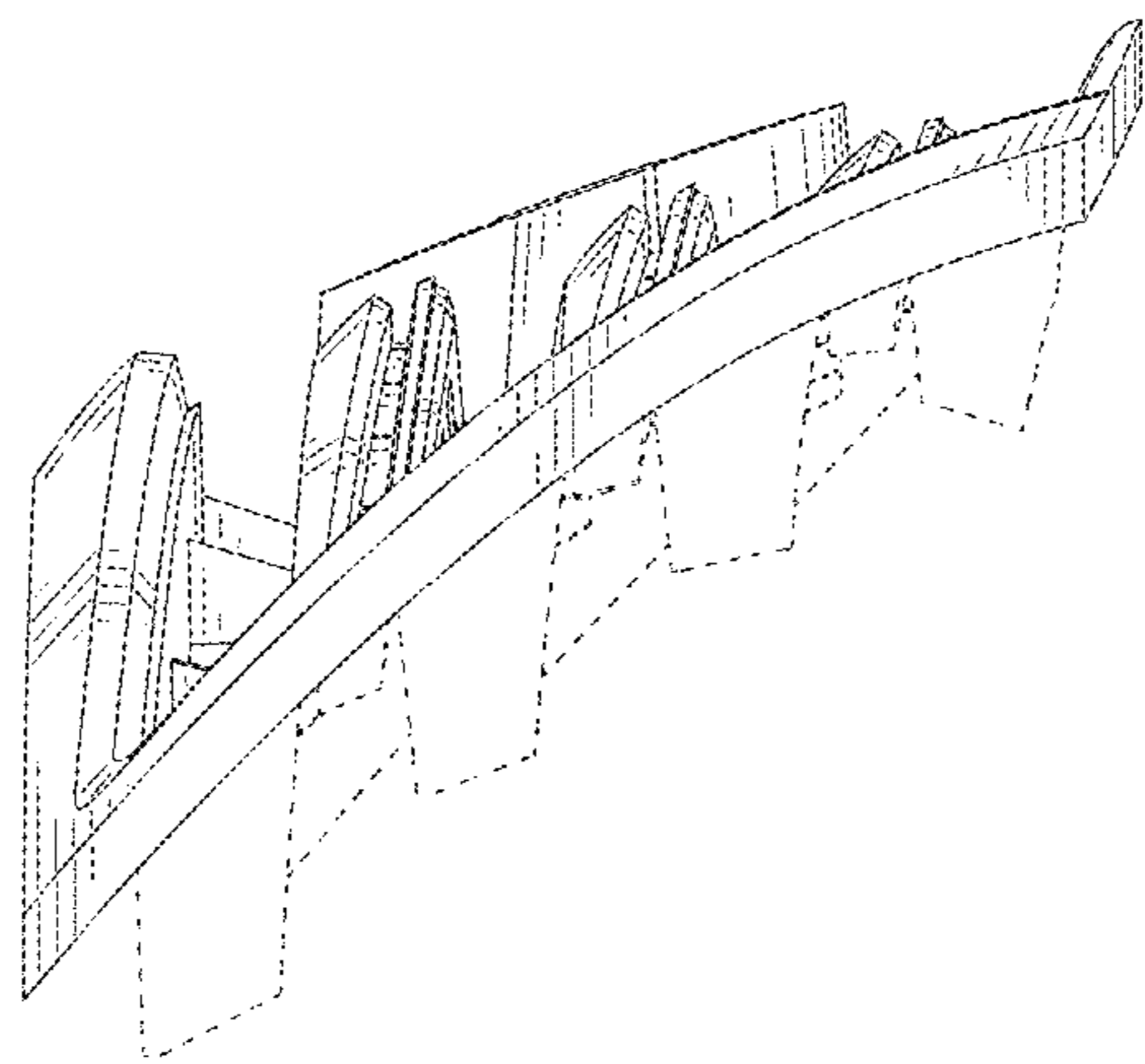


FIG. 4

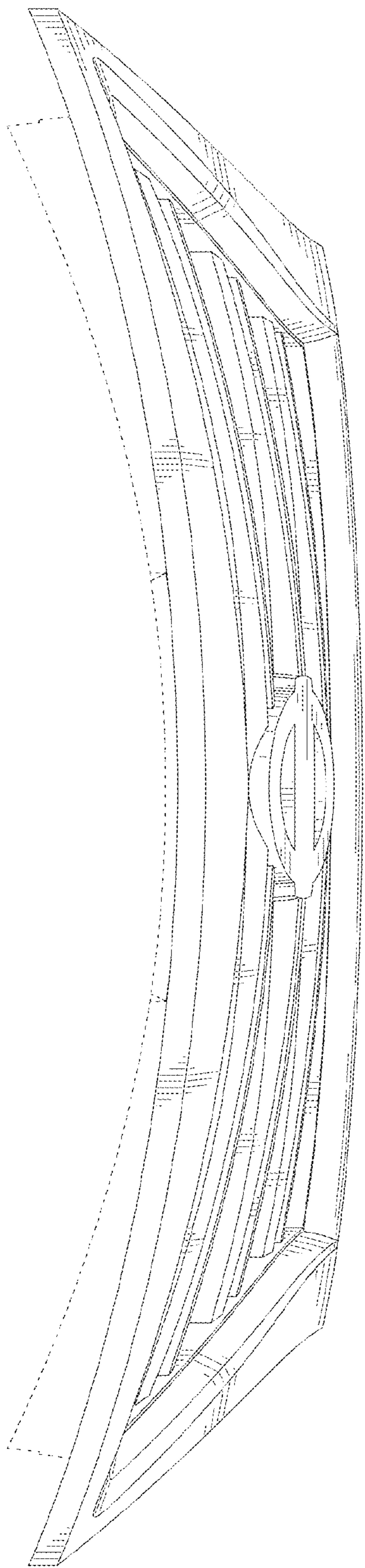


FIG. 6

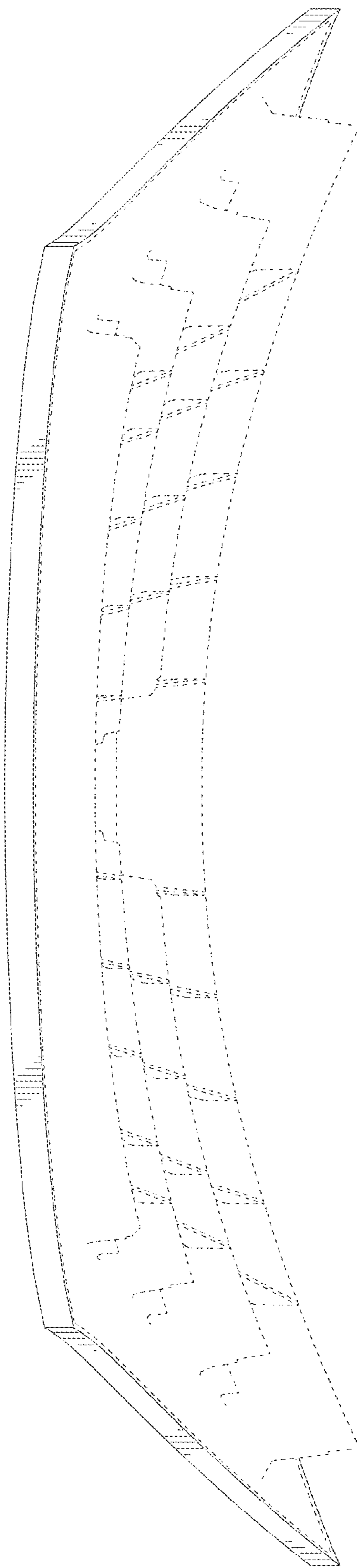


FIG. 7