



US00D682163S

(12) **United States Design Patent**
Hodges

(10) **Patent No.:** **US D682,163 S**

(45) **Date of Patent:** **** May 14, 2013**

(54) **AUTOMOTIVE GRILLE**

(76) Inventor: **Francisco J. Hodges**, Yorba Linda, CA
(US)

(**) Term: **14 Years**

(21) Appl. No.: **29/411,472**

(22) Filed: **Jan. 20, 2012**

D570,264 S *	6/2008	Spry	D12/171
D613,211 S *	4/2010	Wu	D12/163
D613,212 S *	4/2010	Wu	D12/163
D631,404 S *	1/2011	Hodges	D12/163
D640,176 S *	6/2011	Hodges	D12/163
D662,446 S *	6/2012	Hodges	D12/163

* cited by examiner

Primary Examiner — Melody N Brown

(74) *Attorney, Agent, or Firm* — Eric B. Alspaugh

Related U.S. Application Data

(62) Division of application No. 29/382,384, filed on Jan. 3, 2011, now Pat. No. Des. 662,446.

(51) **LOC (9) Cl.** **12-16**

(52) **U.S. Cl.**
USPC **D12/163**

(58) **Field of Classification Search** D12/163,
D12/196, 171, 169, 216, 90-92, 86; 180/68.1,
180/68.6; 296/193.11

See application file for complete search history.

(56) **References Cited**

U.S. PATENT DOCUMENTS

D488,111 S *	4/2004	Elwell	D12/163
D546,247 S *	7/2007	Abbott	D12/163

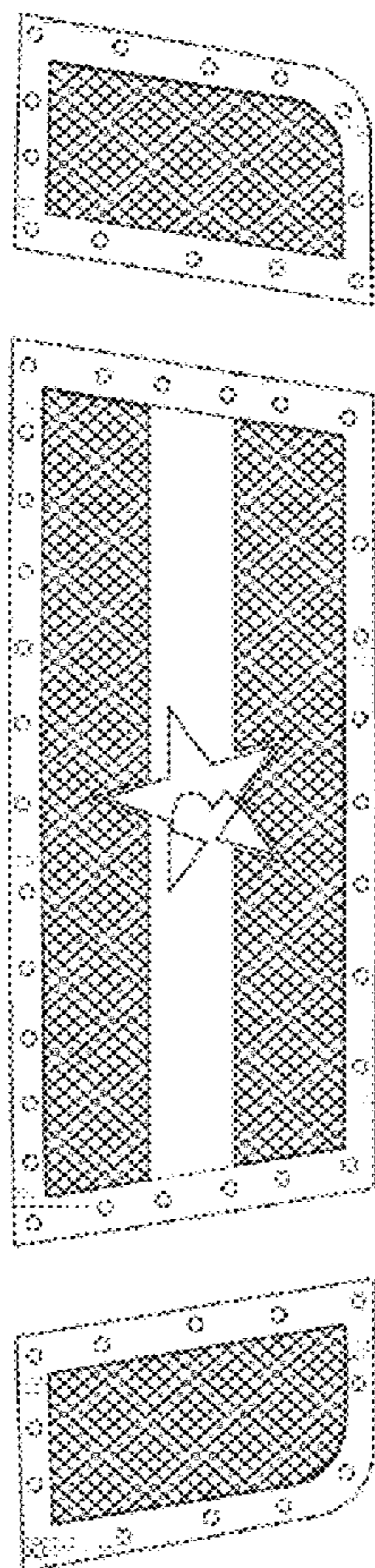
(57) **CLAIM**

The ornamental design for an automotive grille, as shown and described.

DESCRIPTION

FIG. 1 is a front view of an automotive grille showing my new design;
FIG. 2 is a rear view thereof;
FIG. 3 is a top view thereof;
FIG. 4 is a bottom view thereof;
FIG. 5 is a left-side view thereof;
FIG. 6 is a right-side view thereof; and,
FIG. 7 is a perspective view thereof.

1 Claim, 3 Drawing Sheets



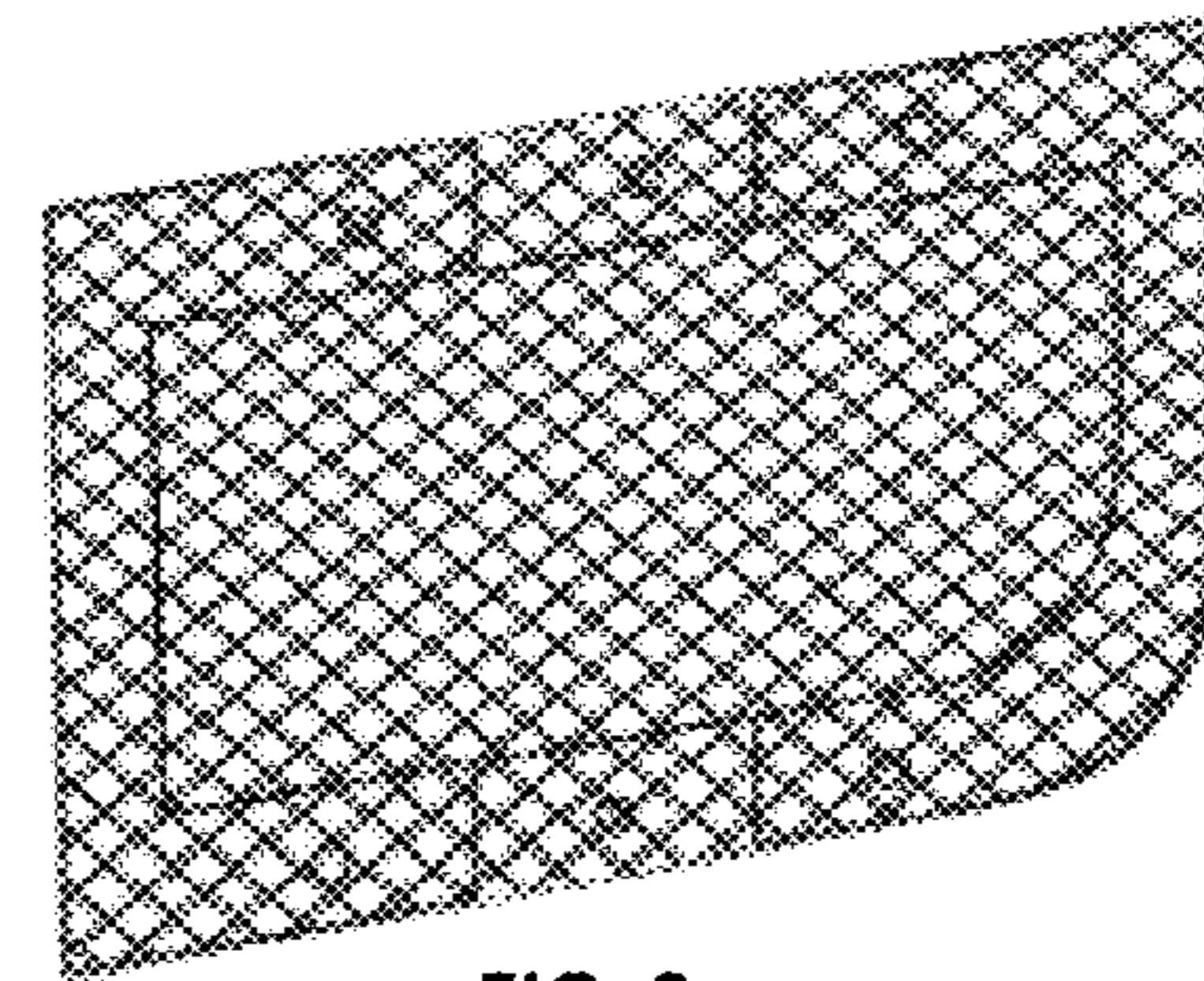
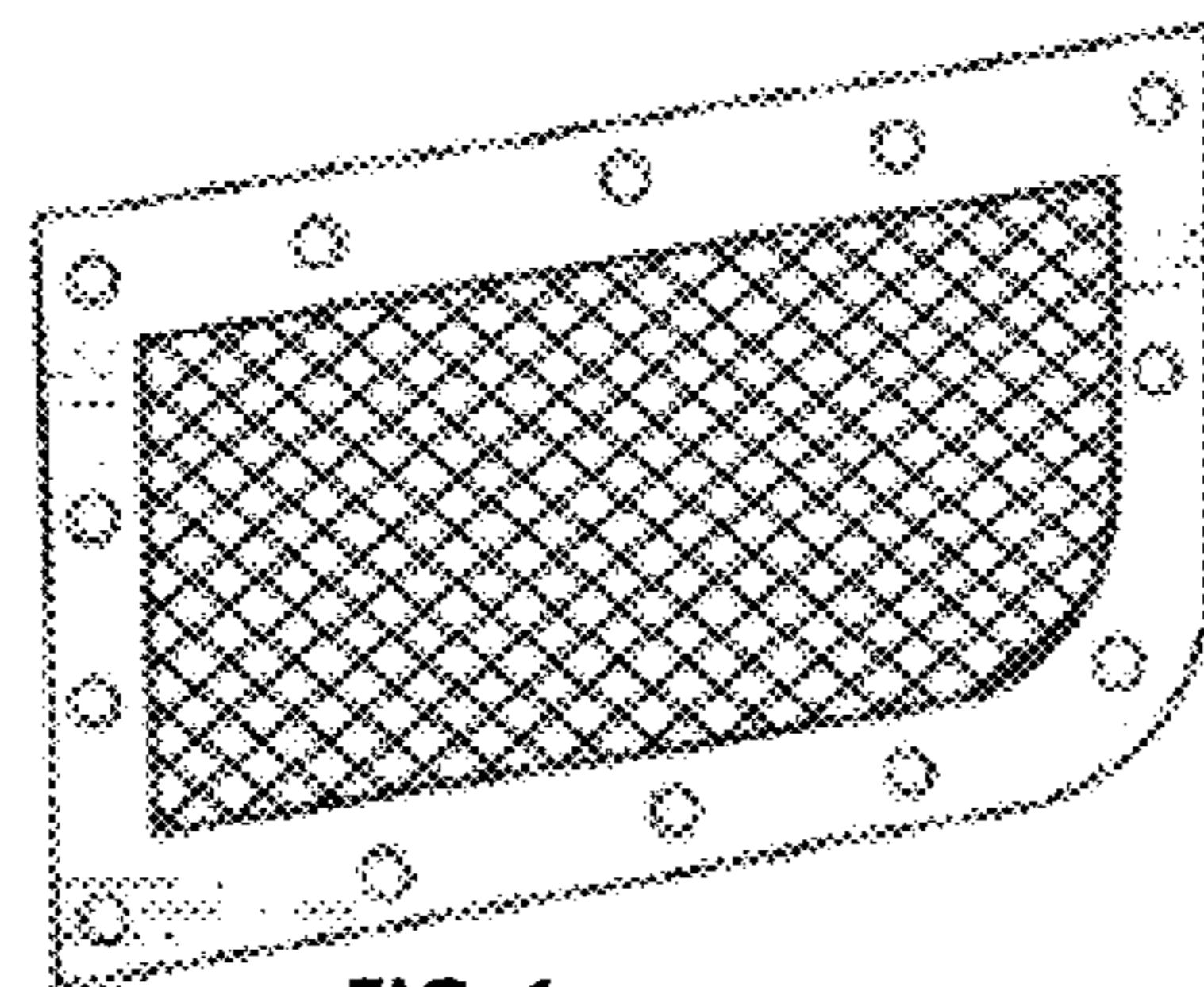
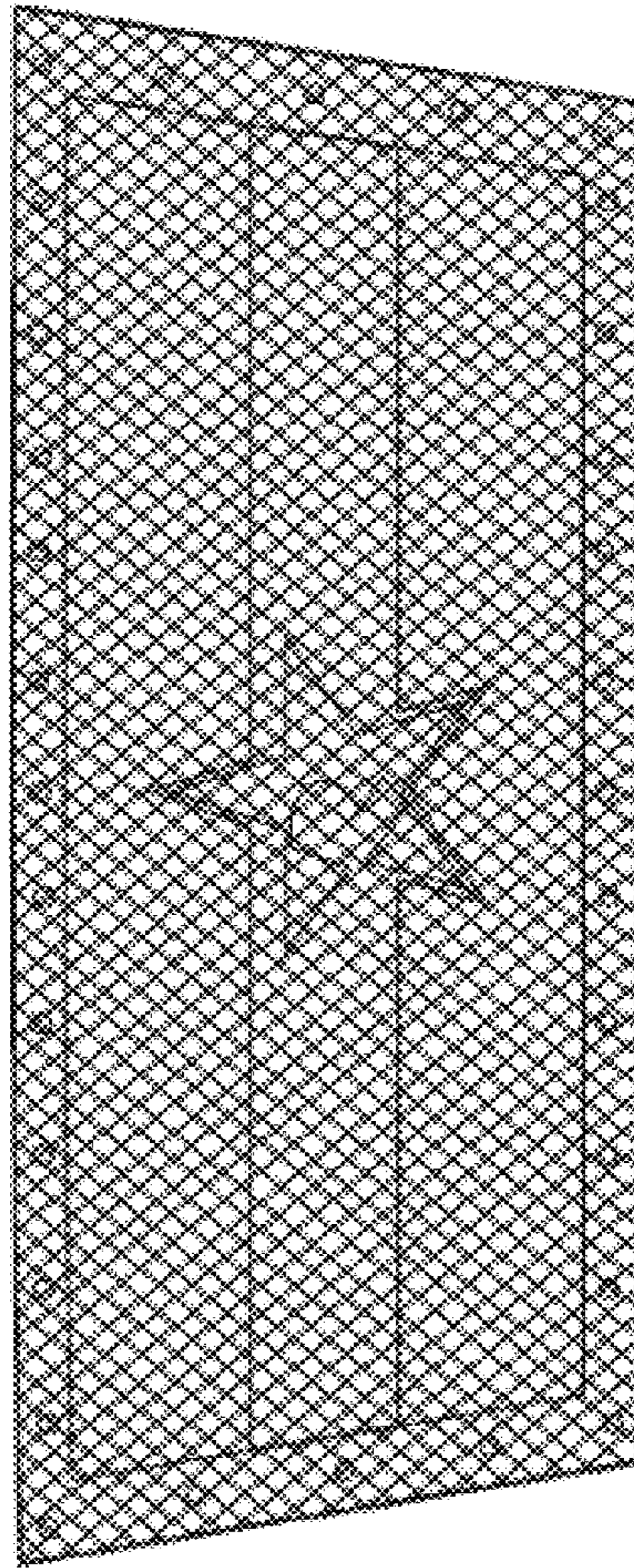
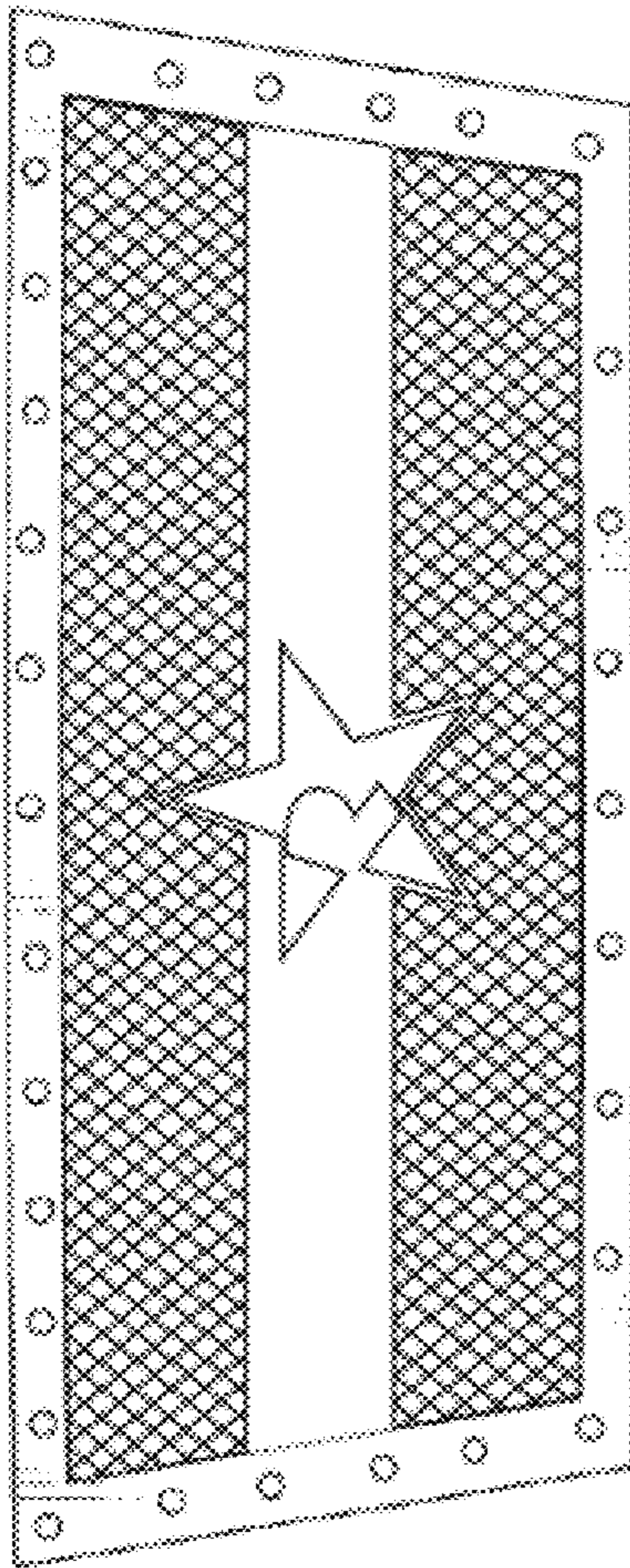
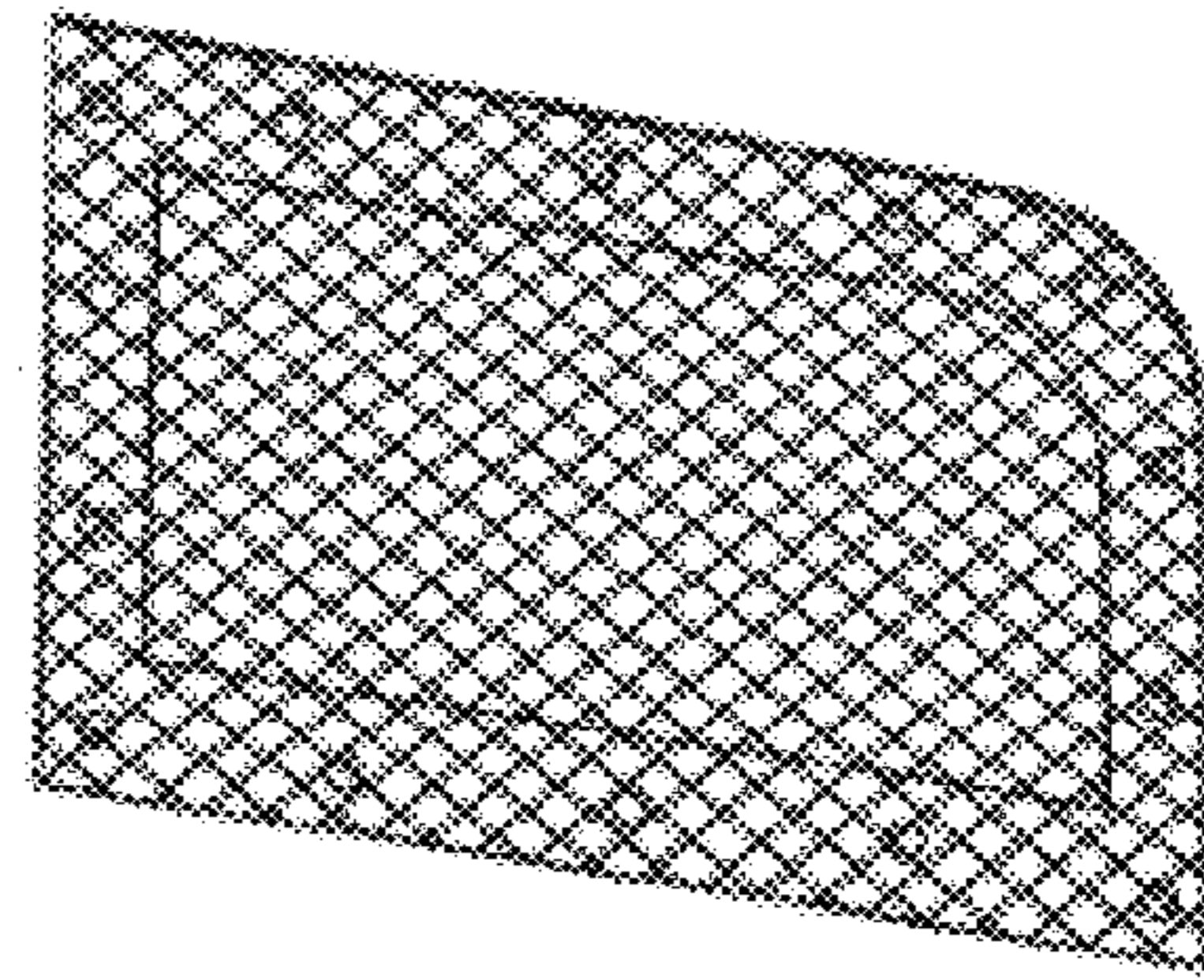
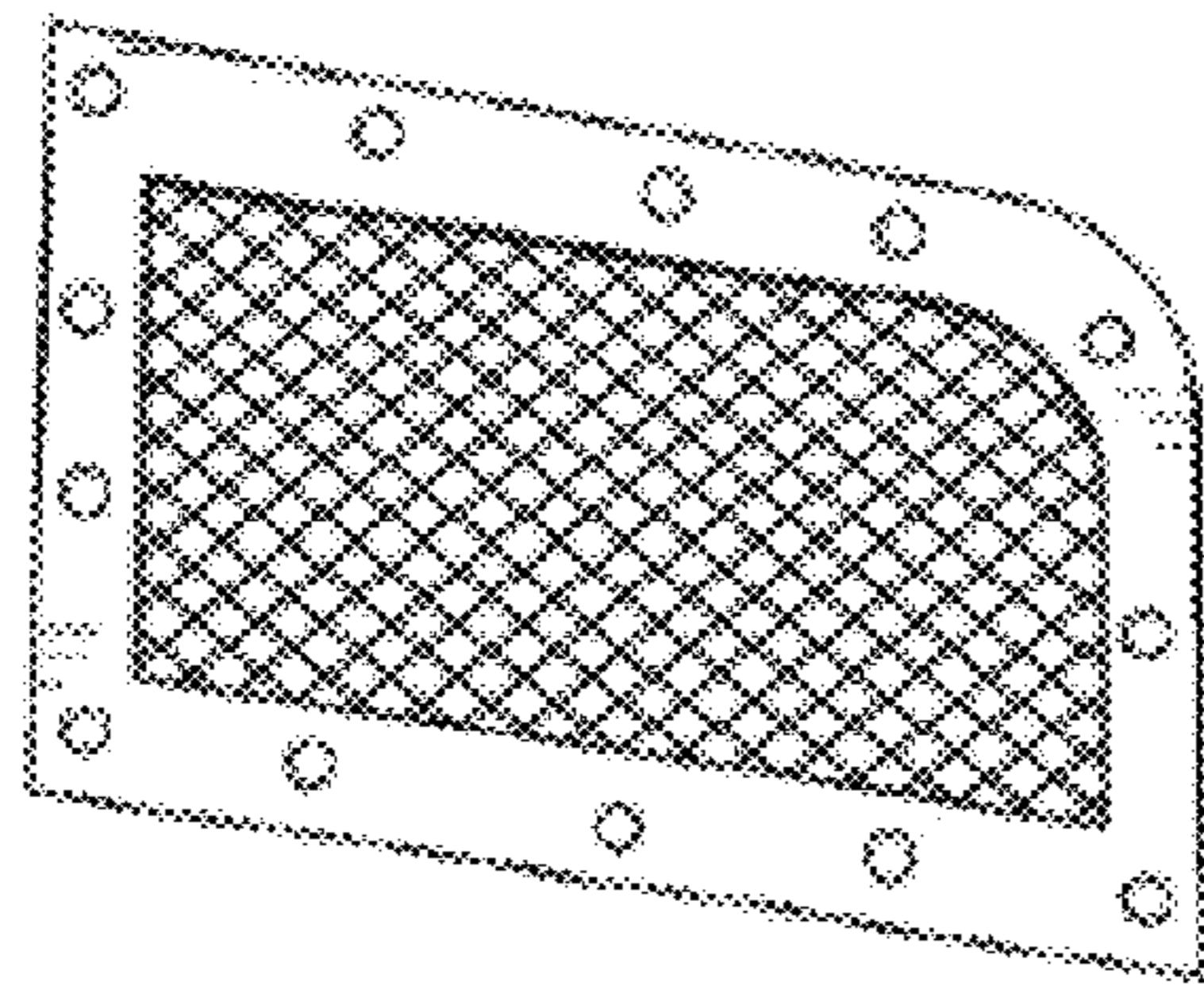


FIG. 1

FIG. 2



FIG. 3



FIG. 4

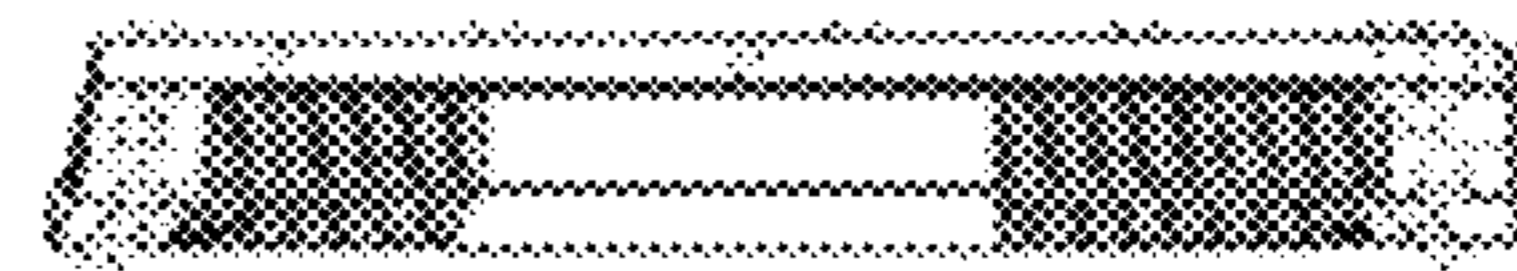


FIG. 5

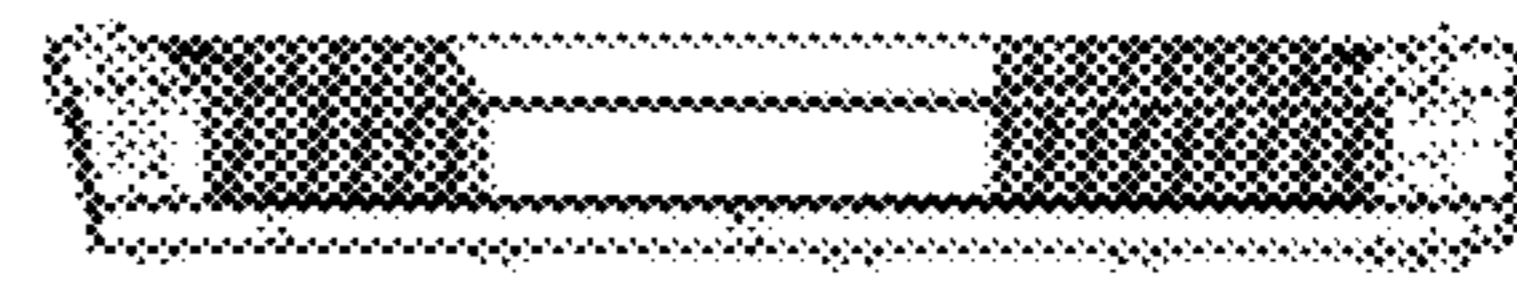


FIG. 6

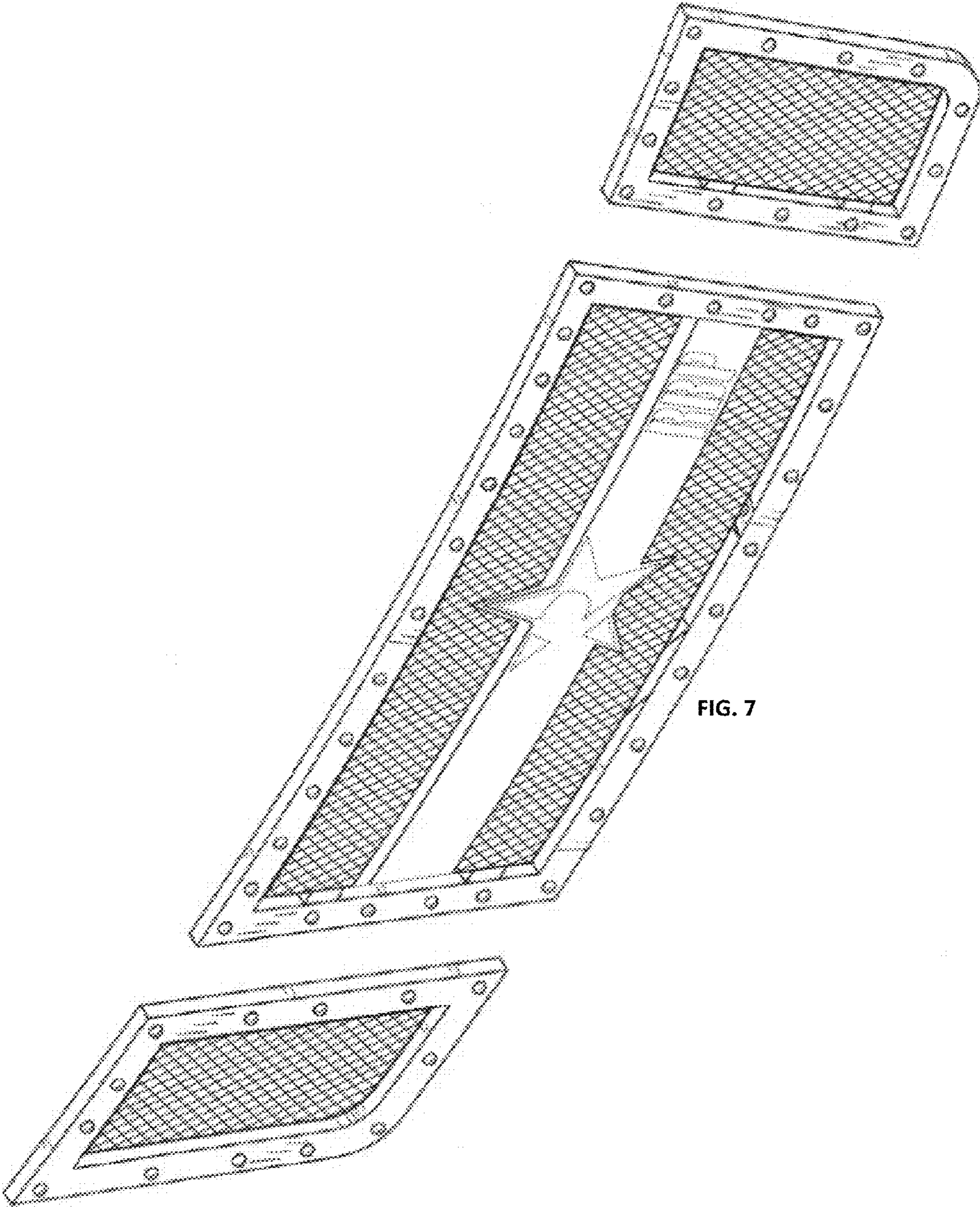


FIG. 7