



US00D682161S

(12) **United States Design Patent**
Aubé et al.

(10) **Patent No.:** **US D682,161 S**

(45) **Date of Patent:** **** May 14, 2013**

(54) **FRAME OF A TRACK SYSTEM FOR AN ALL-TERRAIN VEHICLE**

(75) Inventors: **Martin Aubé**, St-Bruno (CA); **Jeremie Zuchoski**, Sherbrooke (CA)

(73) Assignee: **Camoplast Solideal Inc.**, Sherbrooke, Québec (CA)

(**) Term: **14 Years**

(21) Appl. No.: **29/405,417**

(22) Filed: **Nov. 2, 2011**

(51) **LOC (9) Cl.** **12-11**

(52) **U.S. Cl.**
USPC **D12/107**

(58) **Field of Classification Search** D12/1-3, D12/6-11, 107; D15/24, 28; 180/9, 9.1, 180/9.21, 9.25, 9.26, 9.3, 180, 181, 189, 180/9.28, 44, 190-196, 182-186; 280/5.22, 280/28.5, 844, 13, 28, 609; 305/120, 54, 305/46, 100, 131, 132, 135

See application file for complete search history.

(56) **References Cited**

U.S. PATENT DOCUMENTS

D298,018	S	*	10/1988	Cartwright	D12/3
6,095,275	A	*	8/2000	Shaw	180/185
6,401,847	B1	*	6/2002	Lykken	180/9.1
D476,599	S	*	7/2003	Whittington	D12/7
D488,171	S	*	4/2004	Juncker et al.	D15/28
6,874,586	B2	*	4/2005	Boivin et al.	180/9.26
D505,136	S	*	5/2005	Brazier	D15/28
D528,133	S	*	9/2006	Brazier	D15/28
7,131,508	B2	*	11/2006	Brazier	180/9.21
D556,791	S	*	12/2007	Brazier	D15/28
7,497,530	B2	*	3/2009	Bessette	305/135

7,597,161	B2	*	10/2009	Brazier	180/9.3
7,708,092	B2	*	5/2010	Despres	180/9.5
2012/0104840	A1		5/2012	Zuchoski et al.		

OTHER PUBLICATIONS

“ATV/UTV Track Systems 2009-2010 Catalog”, Camoplast, Inc., Aug. 2009 (8 pages).

* cited by examiner

Primary Examiner — Susan M Lee

Assistant Examiner — Linda G Brooks

(74) *Attorney, Agent, or Firm* — Fish & Richardson P.C.

(57) **CLAIM**

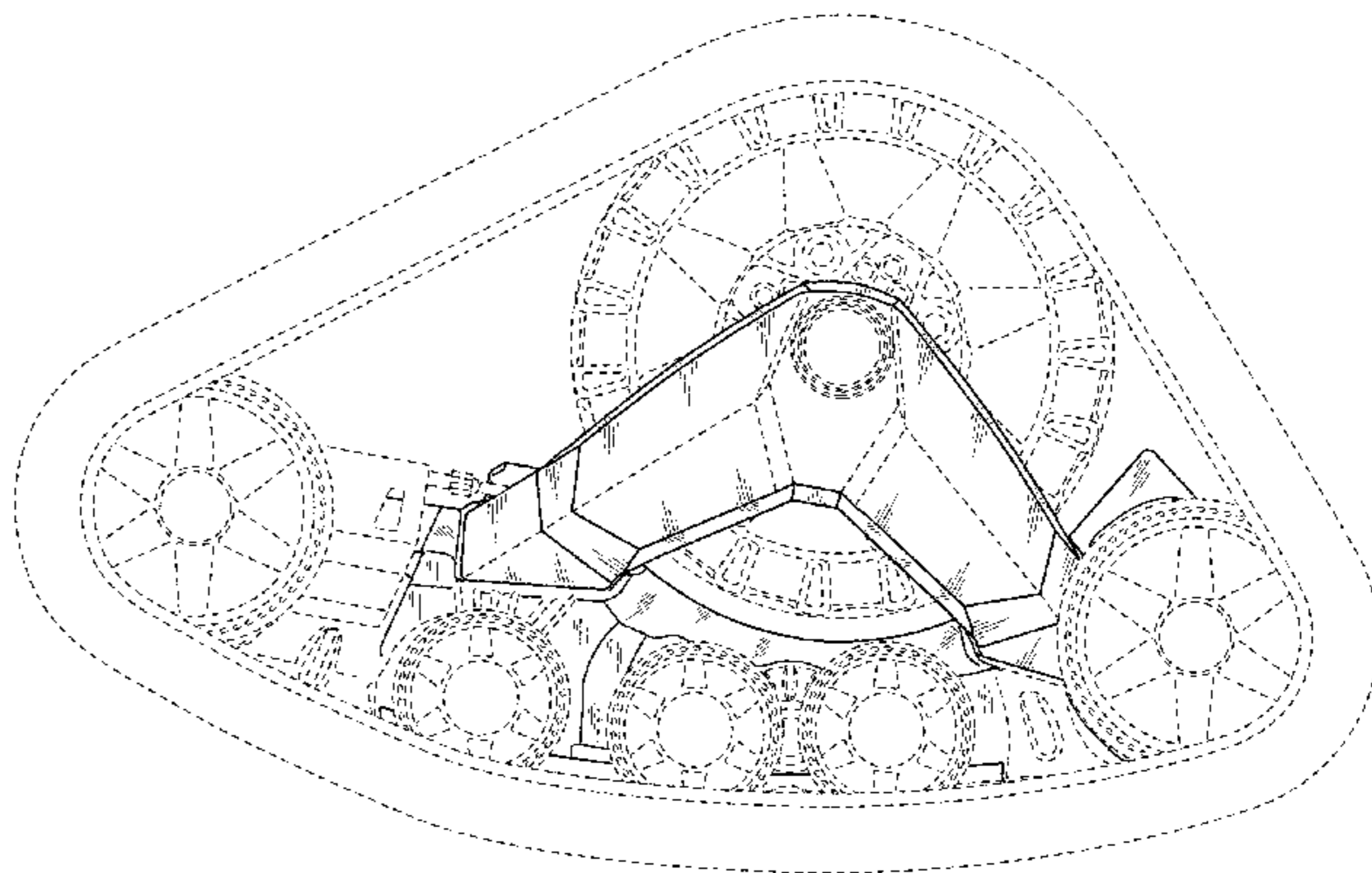
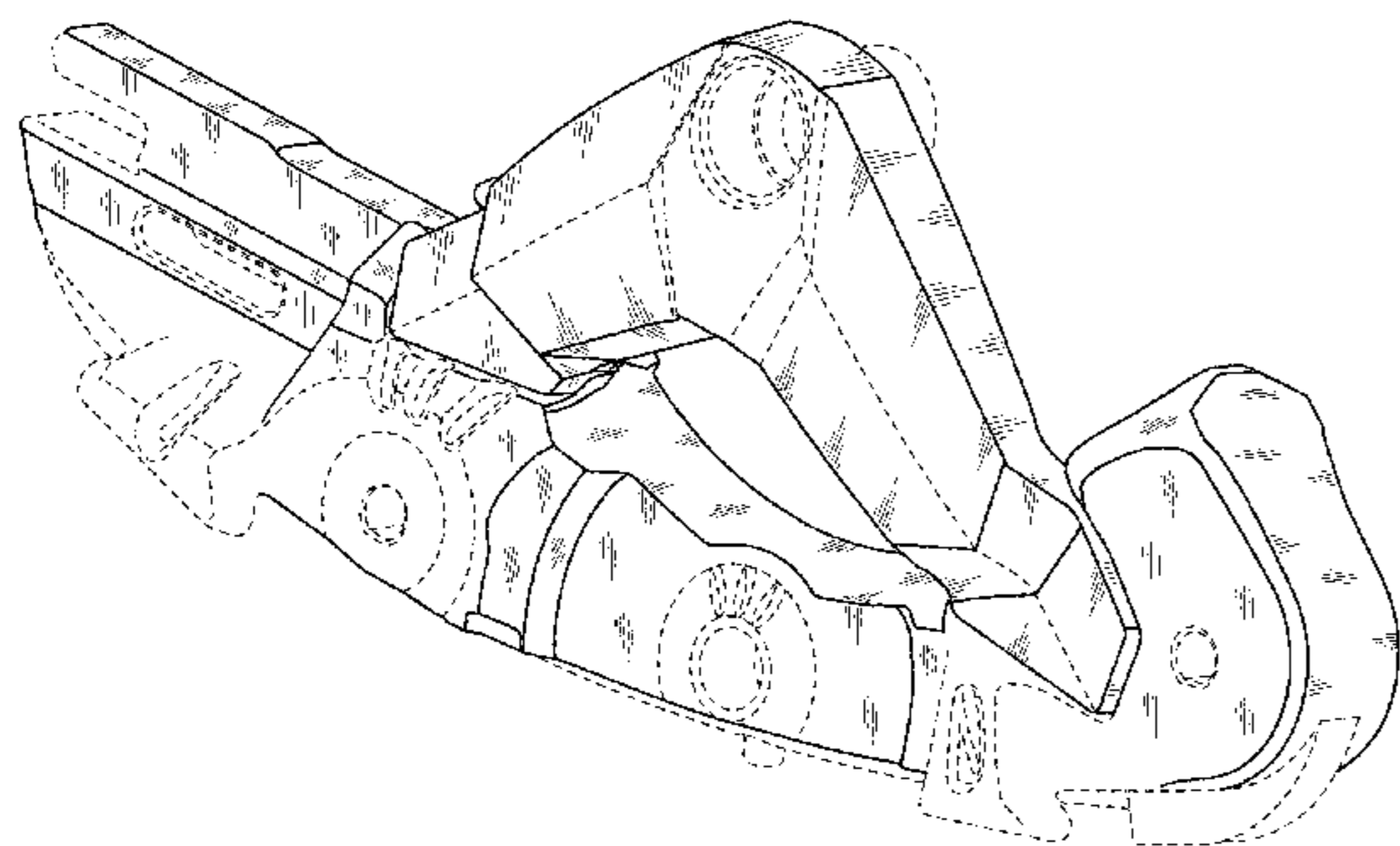
We claim the ornamental design for a frame of a track system for an all-terrain vehicle, as shown and described.

DESCRIPTION

FIG. 1 is a perspective view of a frame of a track system for an all-terrain vehicle according to the present design;
 FIG. 2 is a side elevational view of the frame of a track system for an all-terrain vehicle of FIG. 1;
 FIG. 3 is a rear elevational view of the frame of a track system for an all-terrain vehicle of FIG. 1;
 FIG. 4 is a front elevational view of the frame of a track system for an all-terrain vehicle of FIG. 1;
 FIG. 5 is a top view of the frame of a track system for an all-terrain vehicle of FIG. 1;
 FIG. 6 is a bottom view of the frame of a track system for an all-terrain vehicle of FIG. 1; and,
 FIG. 7 is a side elevational view of the frame of a track system for an all-terrain vehicle shown in the context of its environment.

The outermost broken lines in FIGS. 1-6 are boundary lines, while the other broken lines illustrate unclaimed environmental structure. None of the broken lines form part of the claimed design.

1 Claim, 5 Drawing Sheets



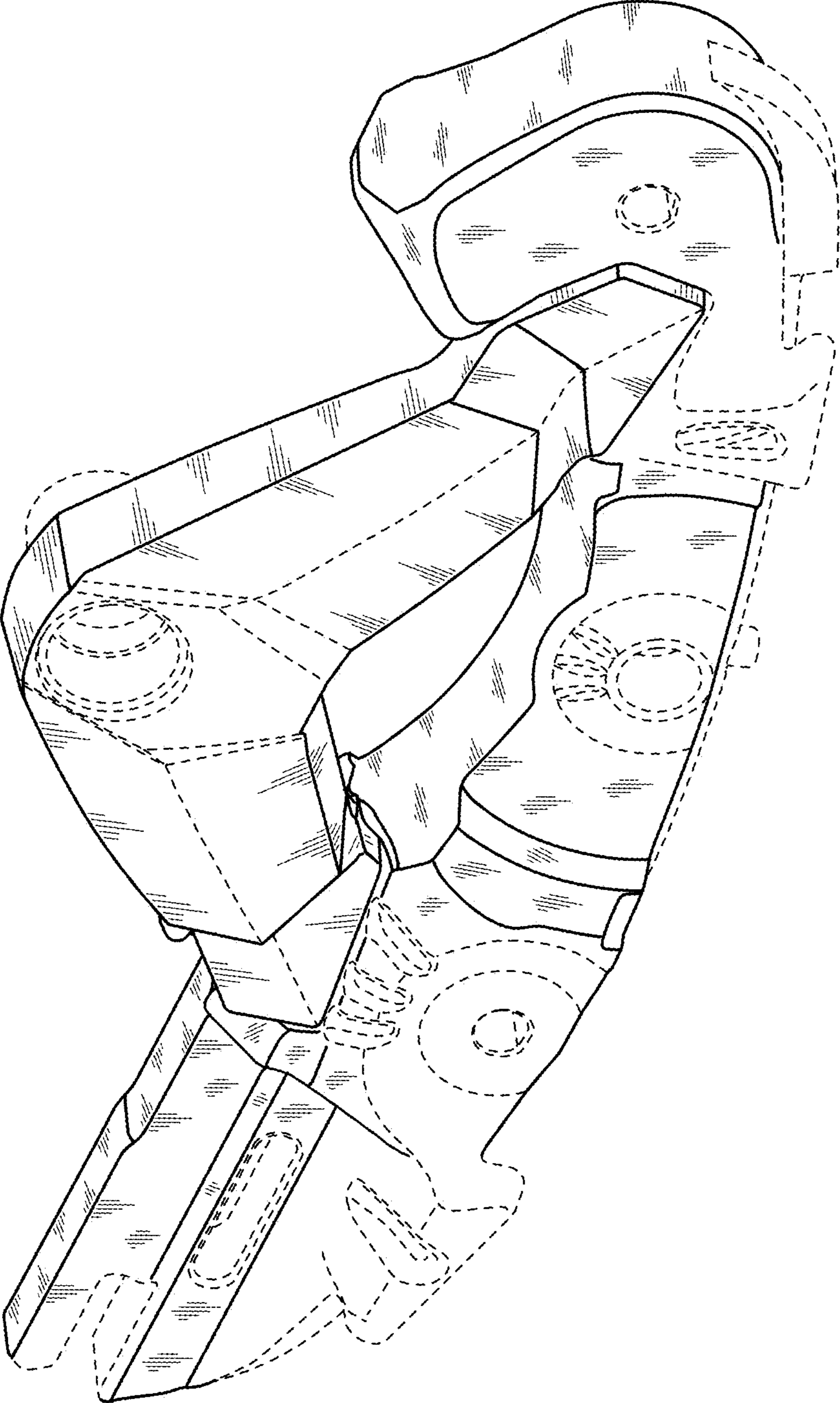


FIG. 1

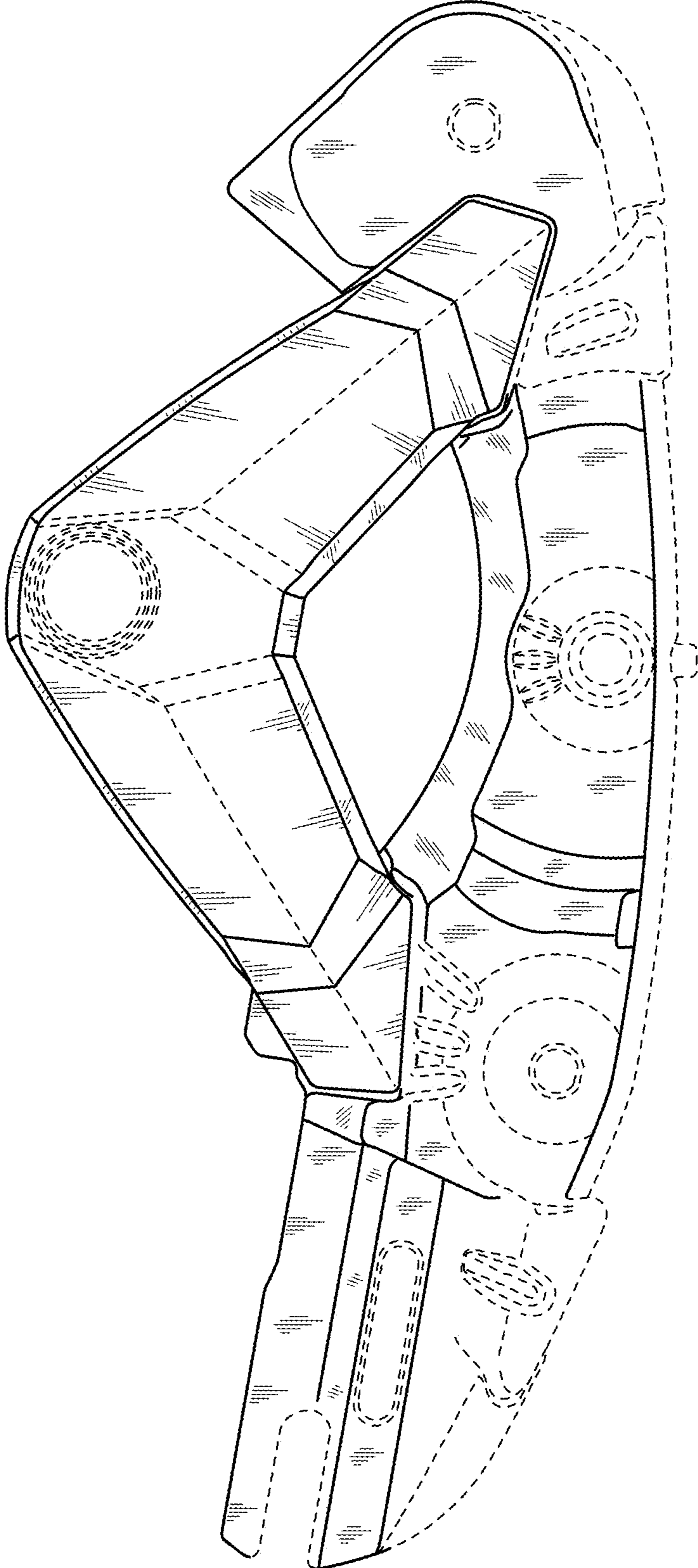


FIG. 2

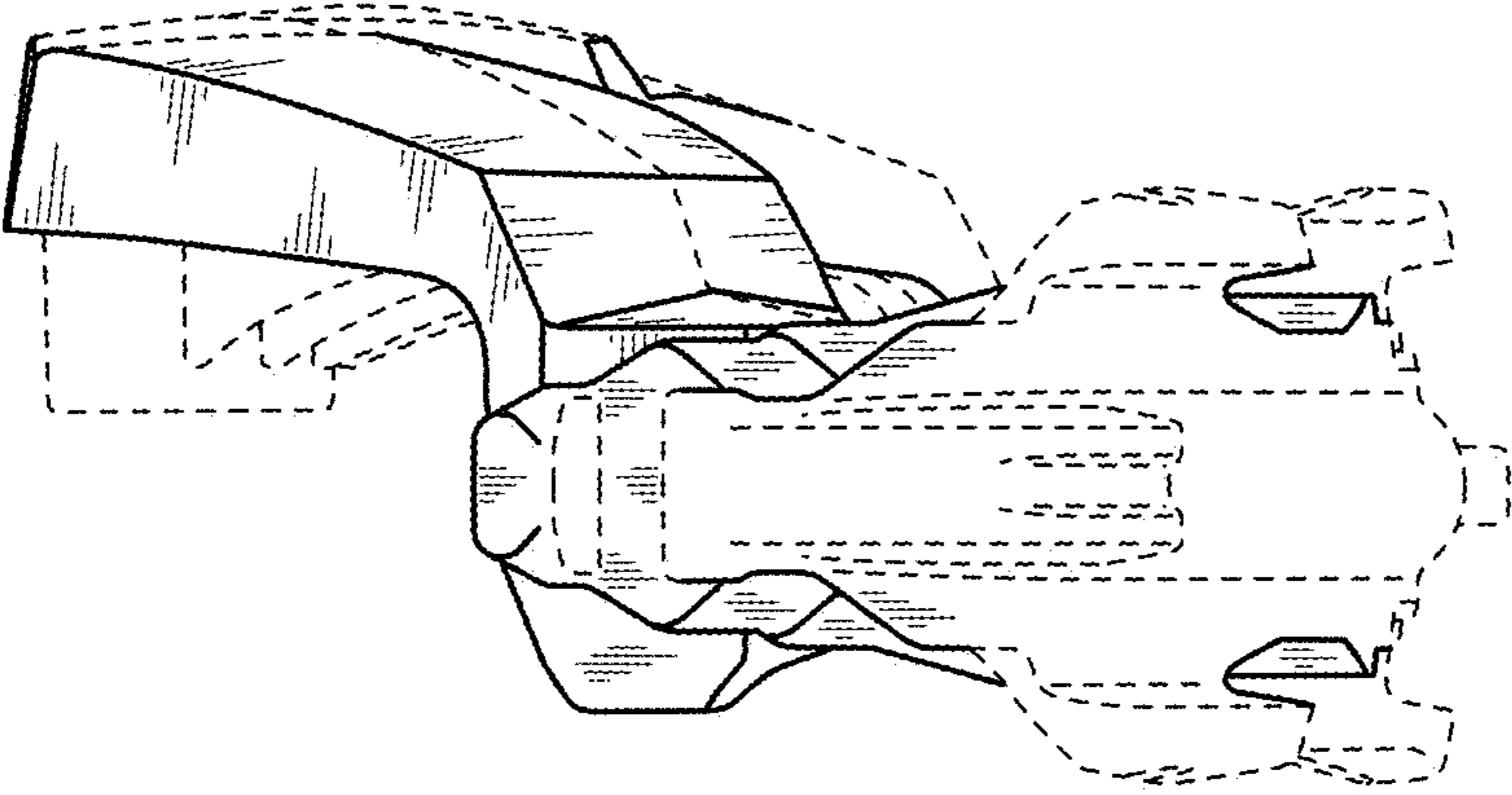


FIG. 4

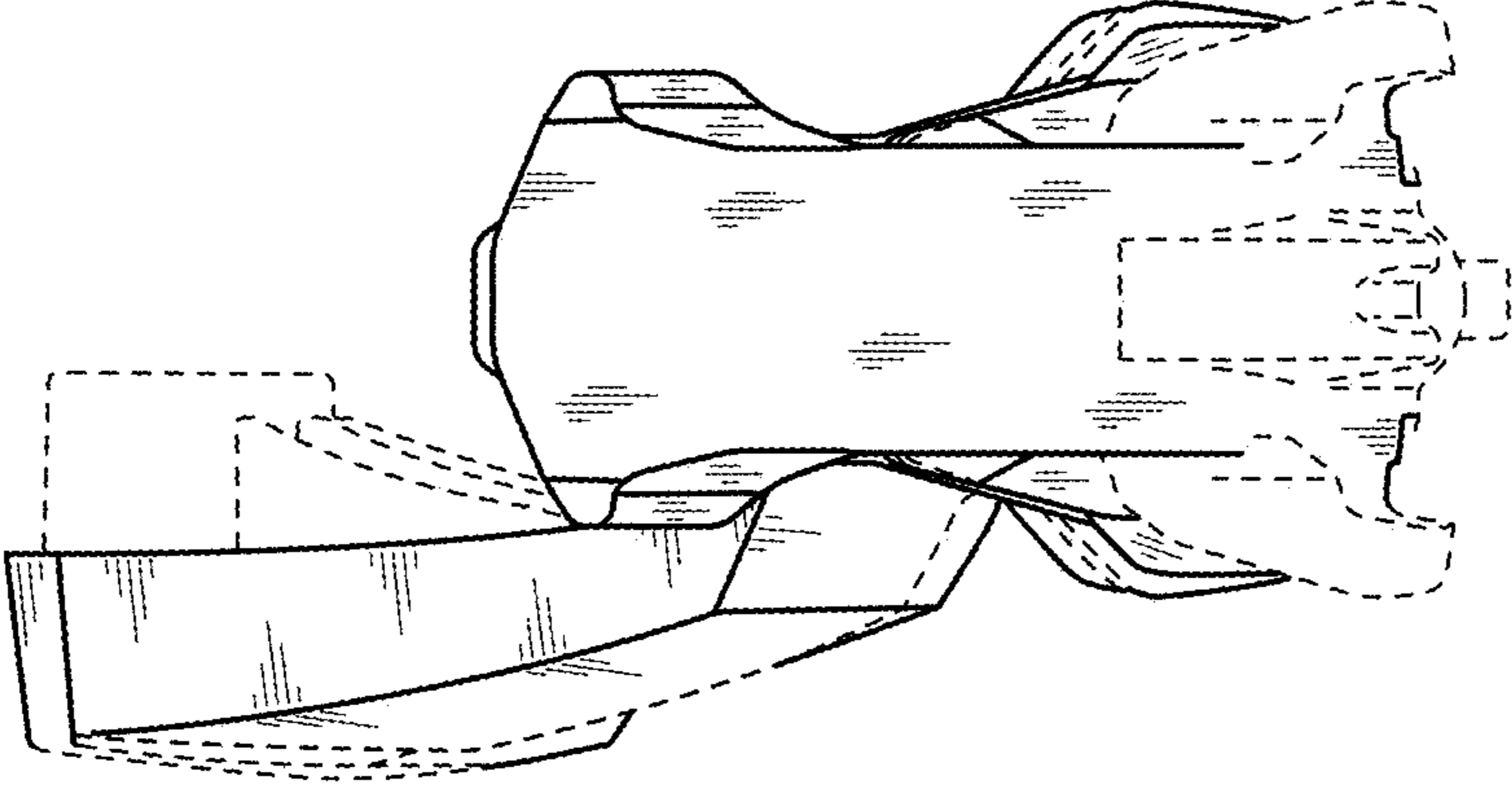


FIG. 3

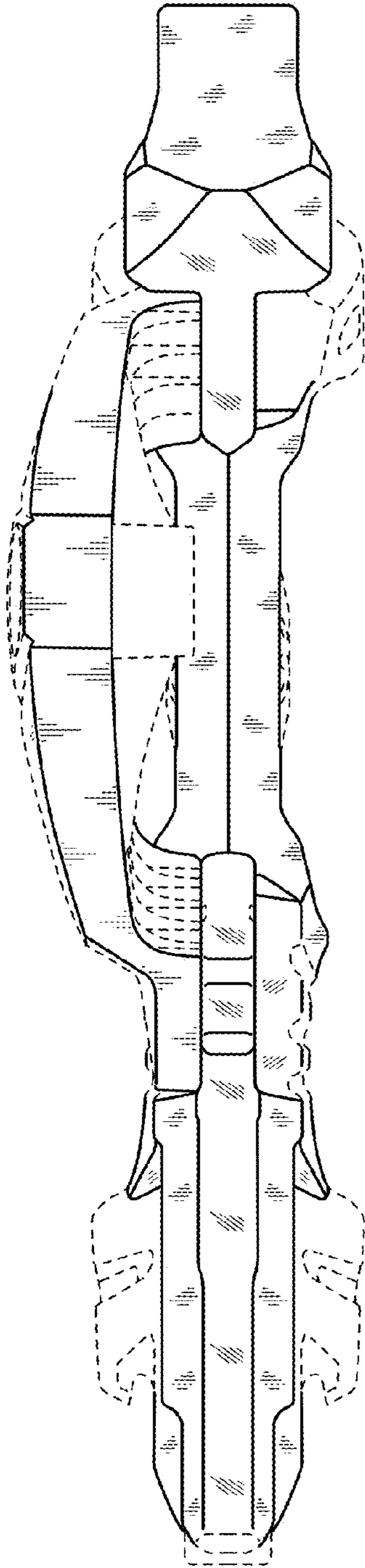


FIG. 5

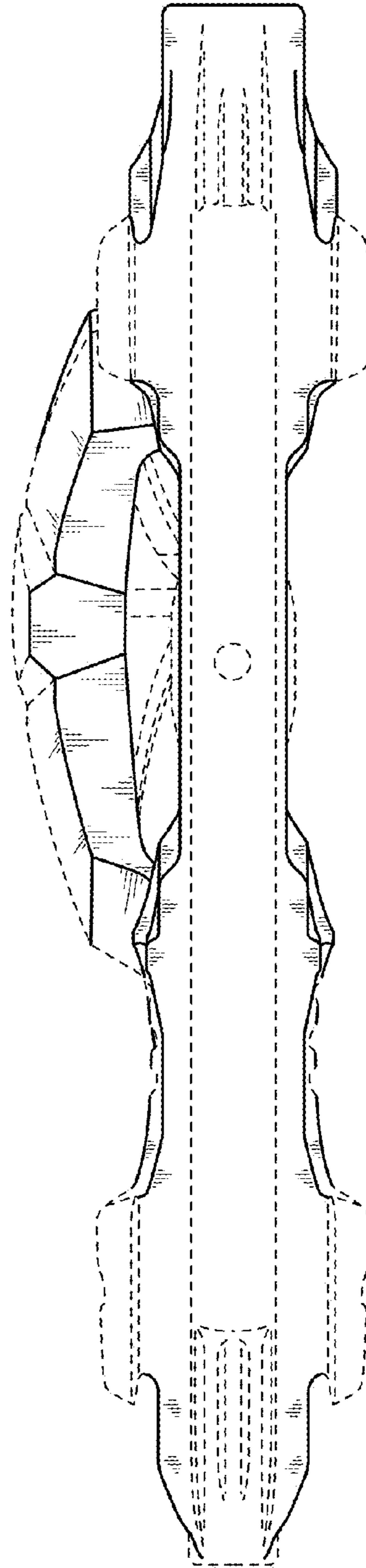


FIG. 6

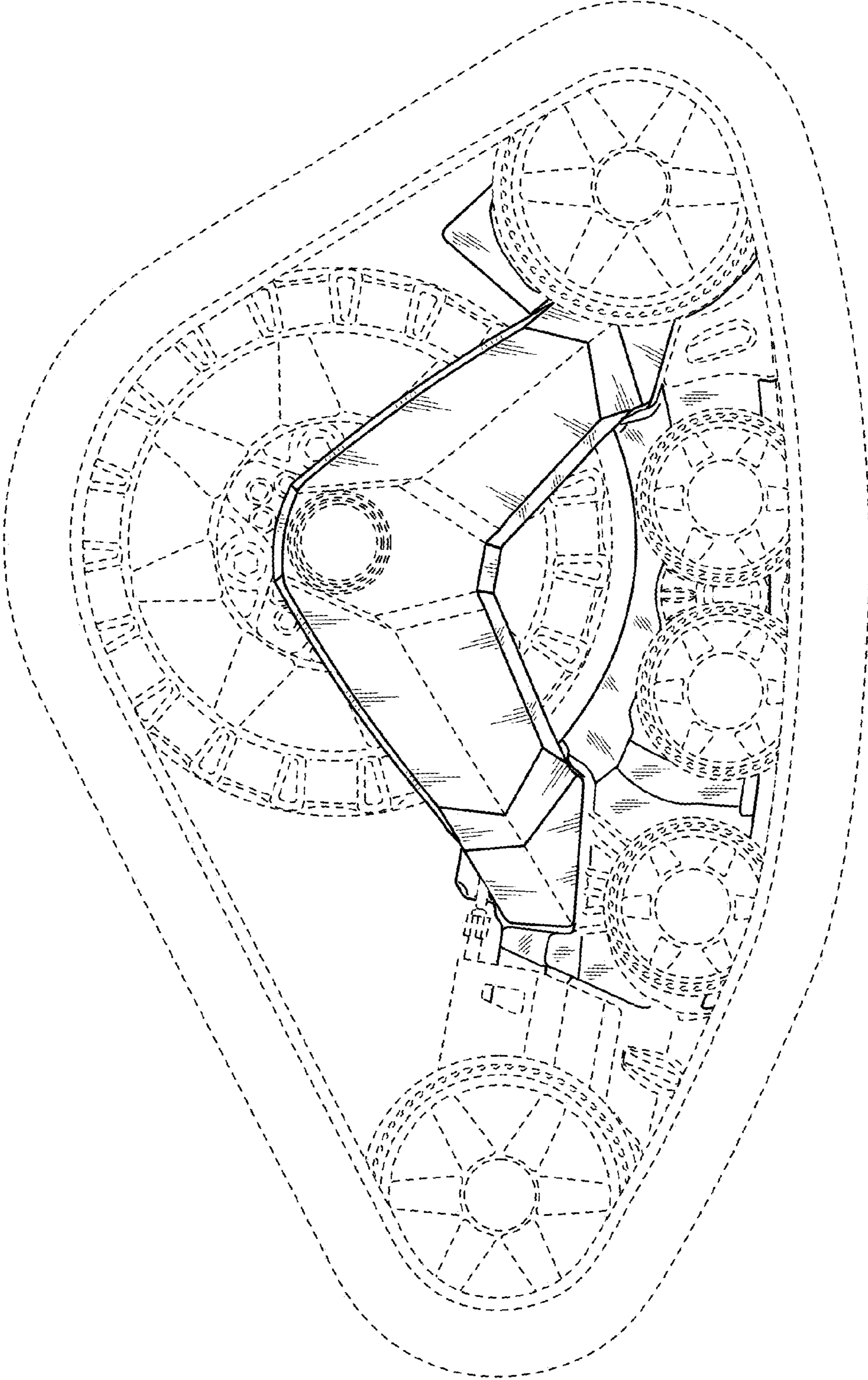


FIG. 7