



US00D682157S

(12) **United States Design Patent**
Ehrhardt et al.

(10) **Patent No.:** **US D682,157 S**

(45) **Date of Patent:** **** May 14, 2013**

(54) **SLIDER CLIP FOR RECLOSABLE ZIPPER**

(56) **References Cited**

(75) Inventors: **Brian Ehrhardt**, Orangeburg, NY (US);
Glyn Russell, New City, NY (US); **Jose Manuel Septien Rojas**, Scarborough (GB); **Martin J. C. Offa-Jones**, North Yorkshire (GB); **Murray Edward Bruce Leighton**, Sugarhill, GA (US); **David Anzini**, Middletown, NY (US)

U.S. PATENT DOCUMENTS

D325,547 S *	4/1992	Saito et al.	D11/221
D422,909 S *	4/2000	Smith et al.	D9/434
D439,866 S *	4/2001	Savicki, Sr.	D11/221
D469,721 S *	2/2003	Buchman	D11/221
D490,706 S *	6/2004	Smith et al.	D9/434
D511,480 S *	11/2005	Buchman	D11/221

* cited by examiner

(73) Assignee: **Illinois Tool Works Inc.**, Glenview, IL (US)

Primary Examiner — Ralf Seifert

(74) *Attorney, Agent, or Firm* — McCarter & English, LLP

(**) Term: **14 Years**

(57) **CLAIM**

The ornamental design for the slider clip for reclosable zipper, as shown and described.

(21) Appl. No.: **29/406,414**

DESCRIPTION

(22) Filed: **Nov. 14, 2011**

(51) **LOC (9) Cl.** **02-07**

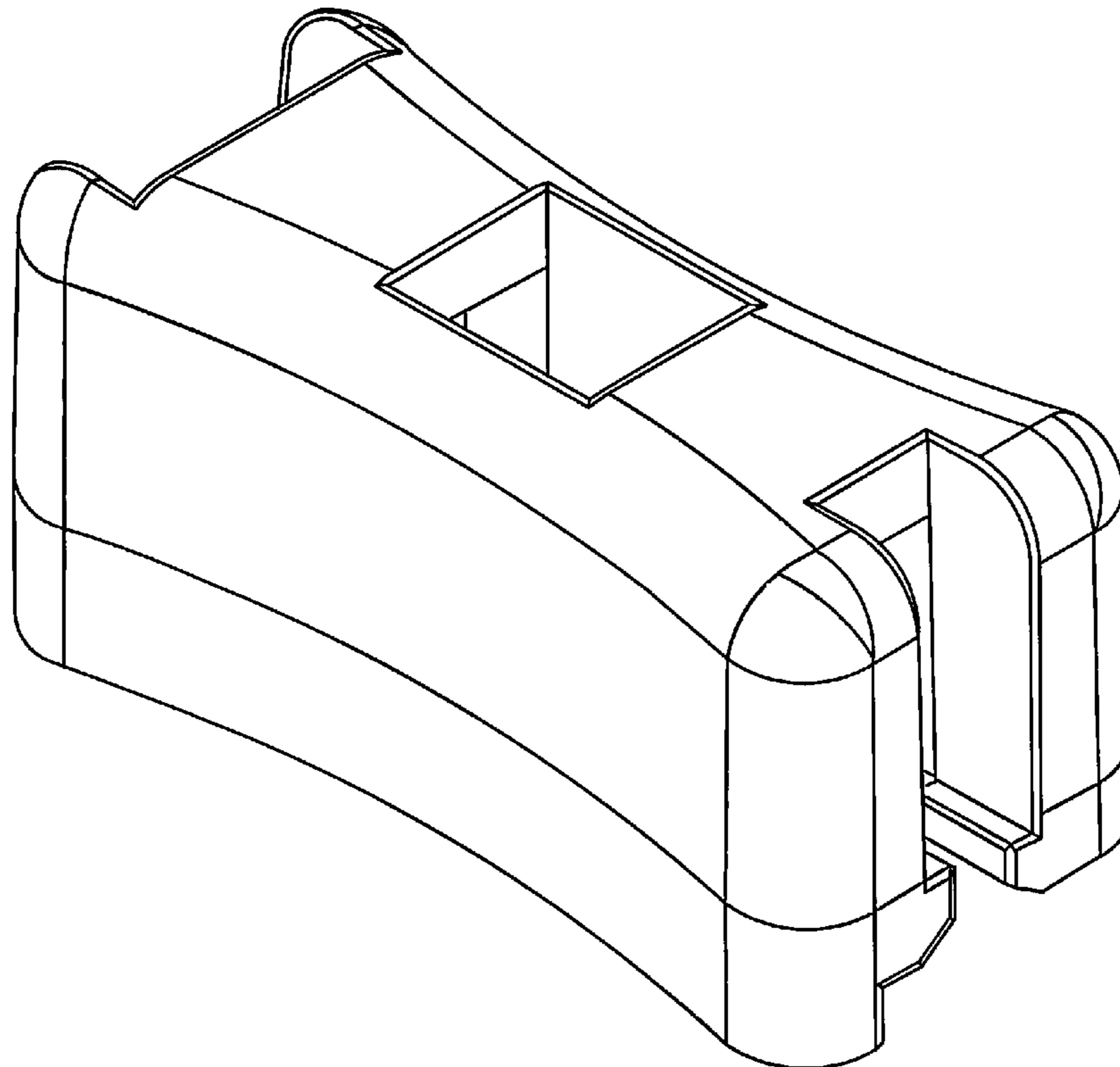
(52) **U.S. Cl.**
USPC **D11/221**

(58) **Field of Classification Search** D11/1-2,
D11/200-201, 206-210, 214-218; 24/163 R,
24/169-171, 173, 177-179, 191, 194-195,
24/197, 200, 614-616, 625; D9/434

FIG. 1 is a front perspective view thereof;
FIG. 2 is a bottom perspective view thereof,
FIG. 3 is a top plan view thereof,
FIG. 4 is a bottom plan view thereof,
FIG. 5 is a first end plan view thereof,
FIG. 6 is a second end plan view thereof; and,
FIG. 7 is a cross-sectional view along plane 7-7 in FIG. 5.

See application file for complete search history.

1 Claim, 6 Drawing Sheets



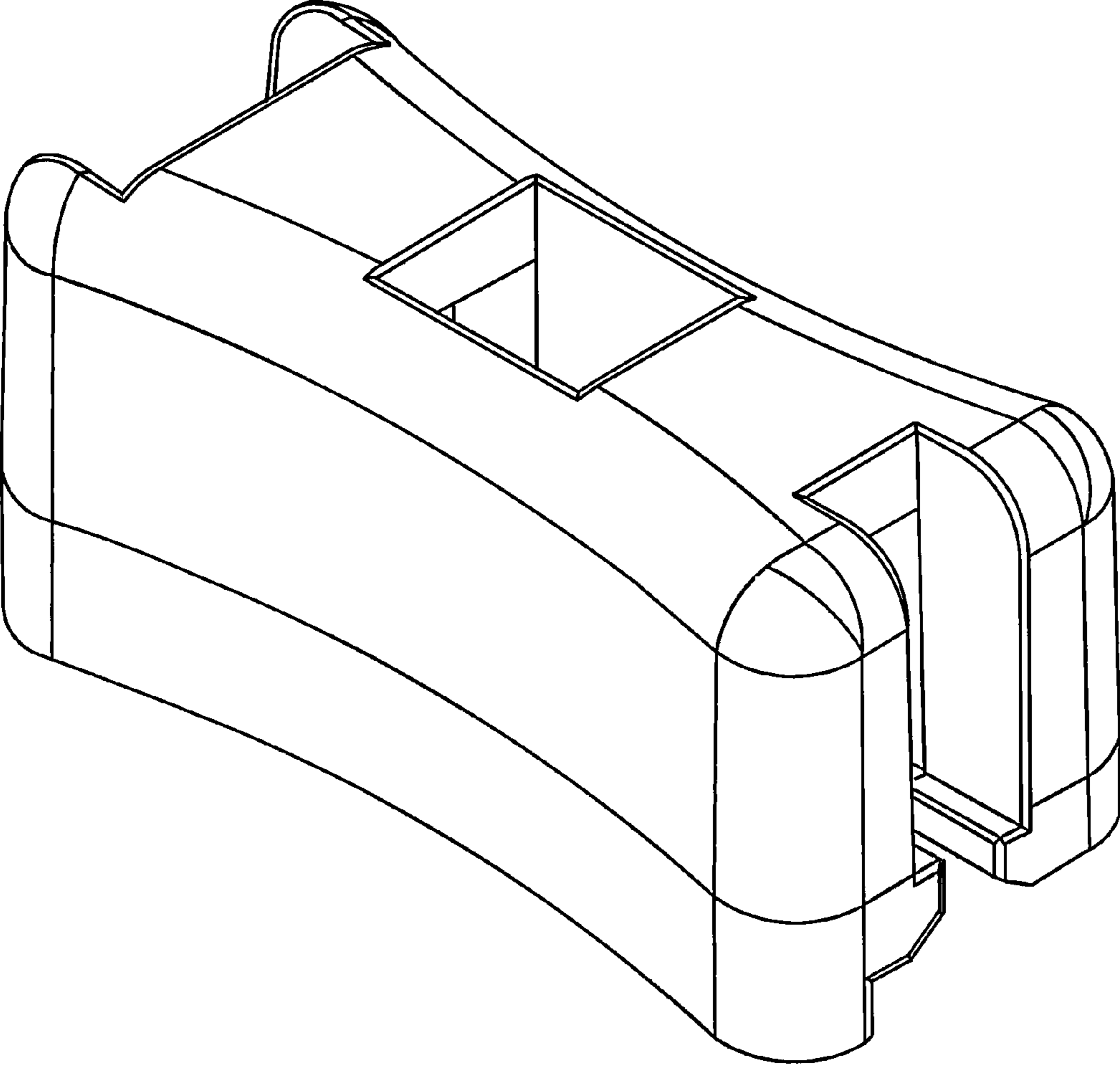


FIG. 1

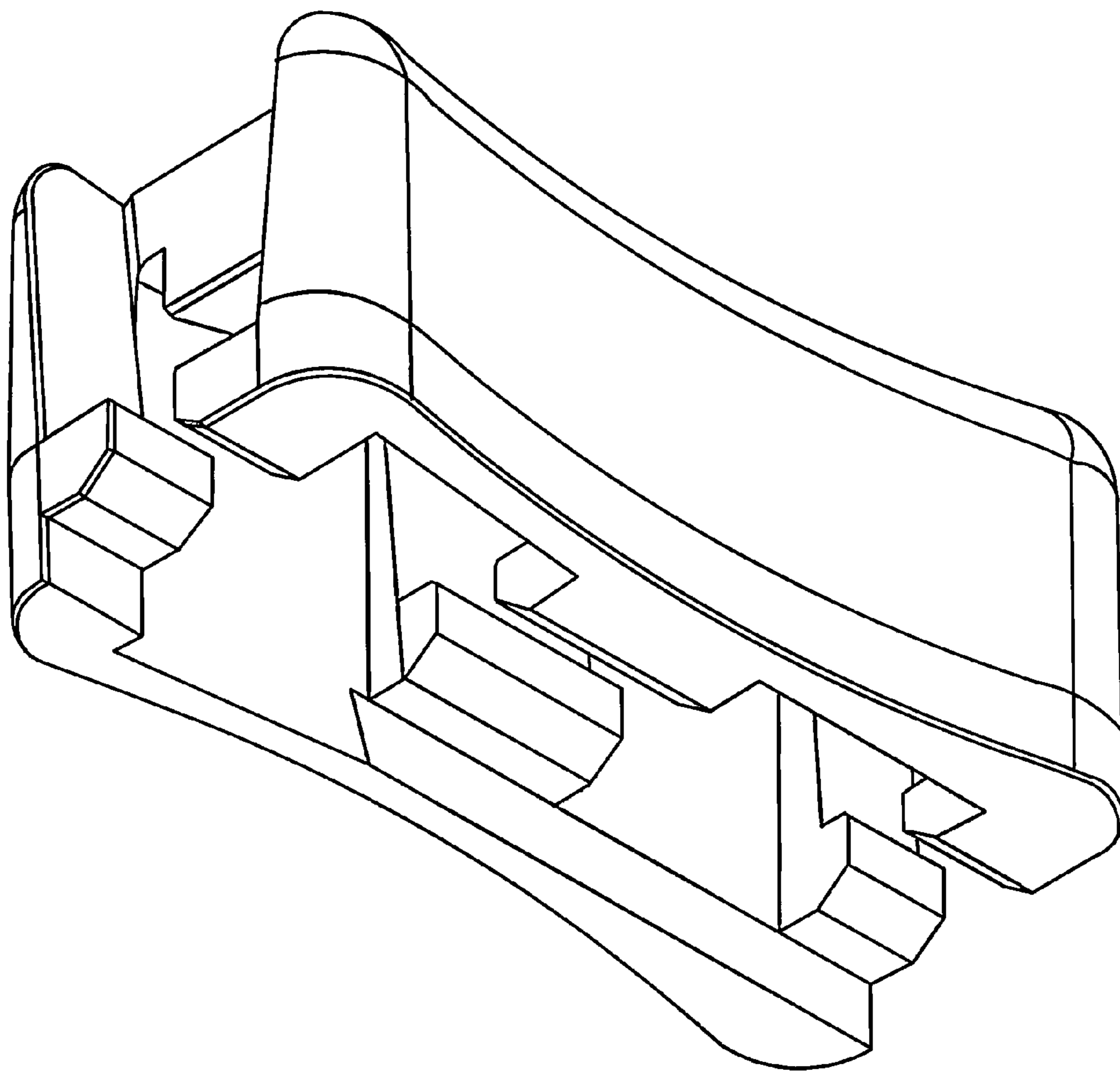


FIG. 2

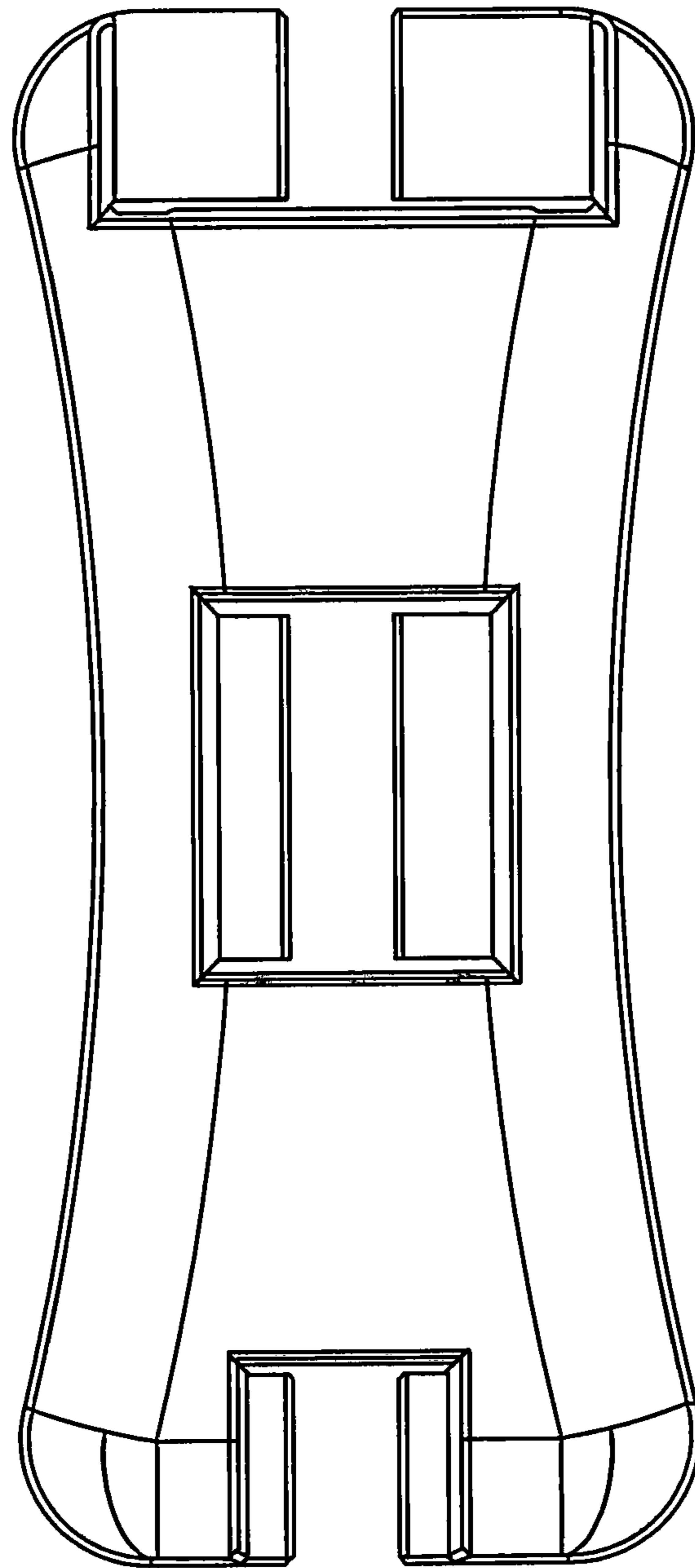


FIG. 3

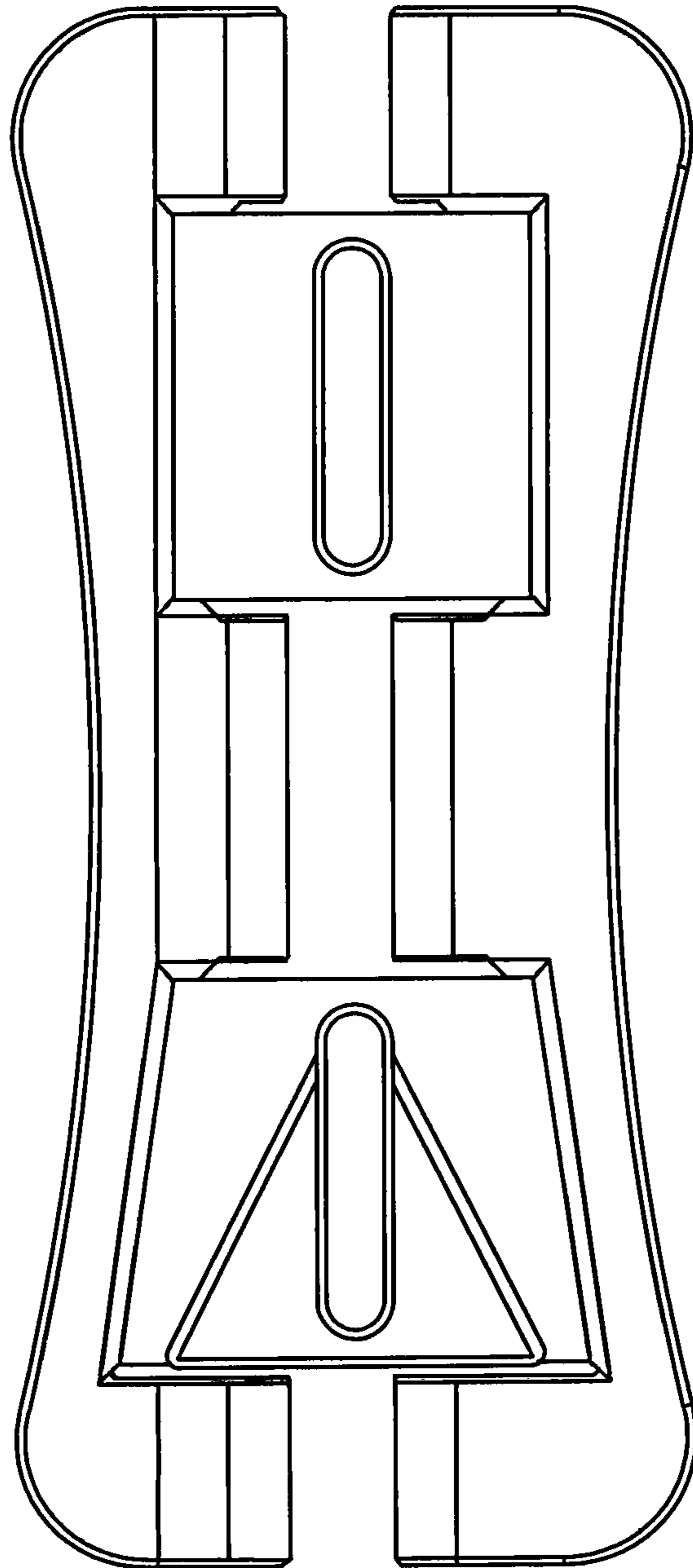


FIG. 4

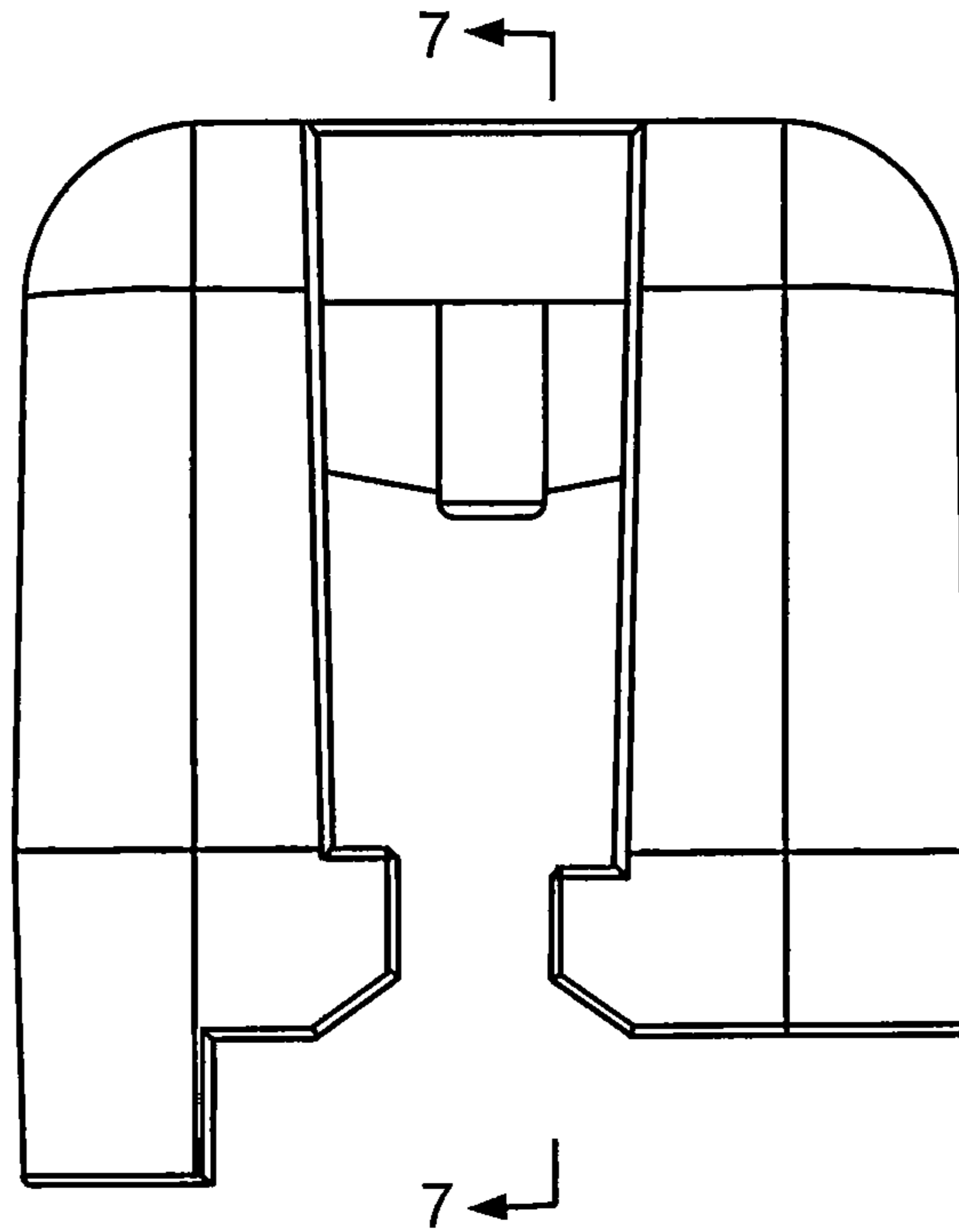


FIG. 5

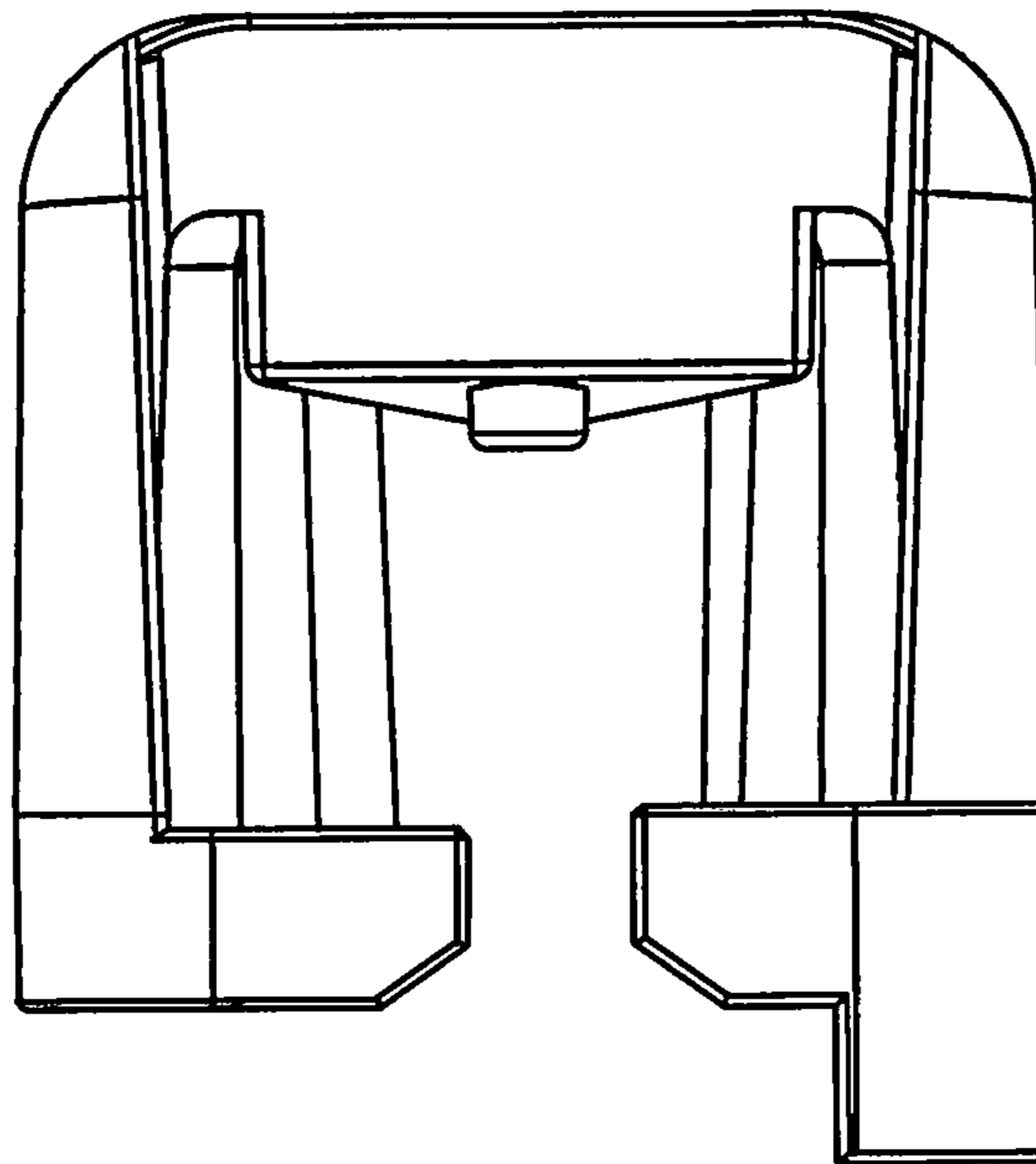


FIG. 6

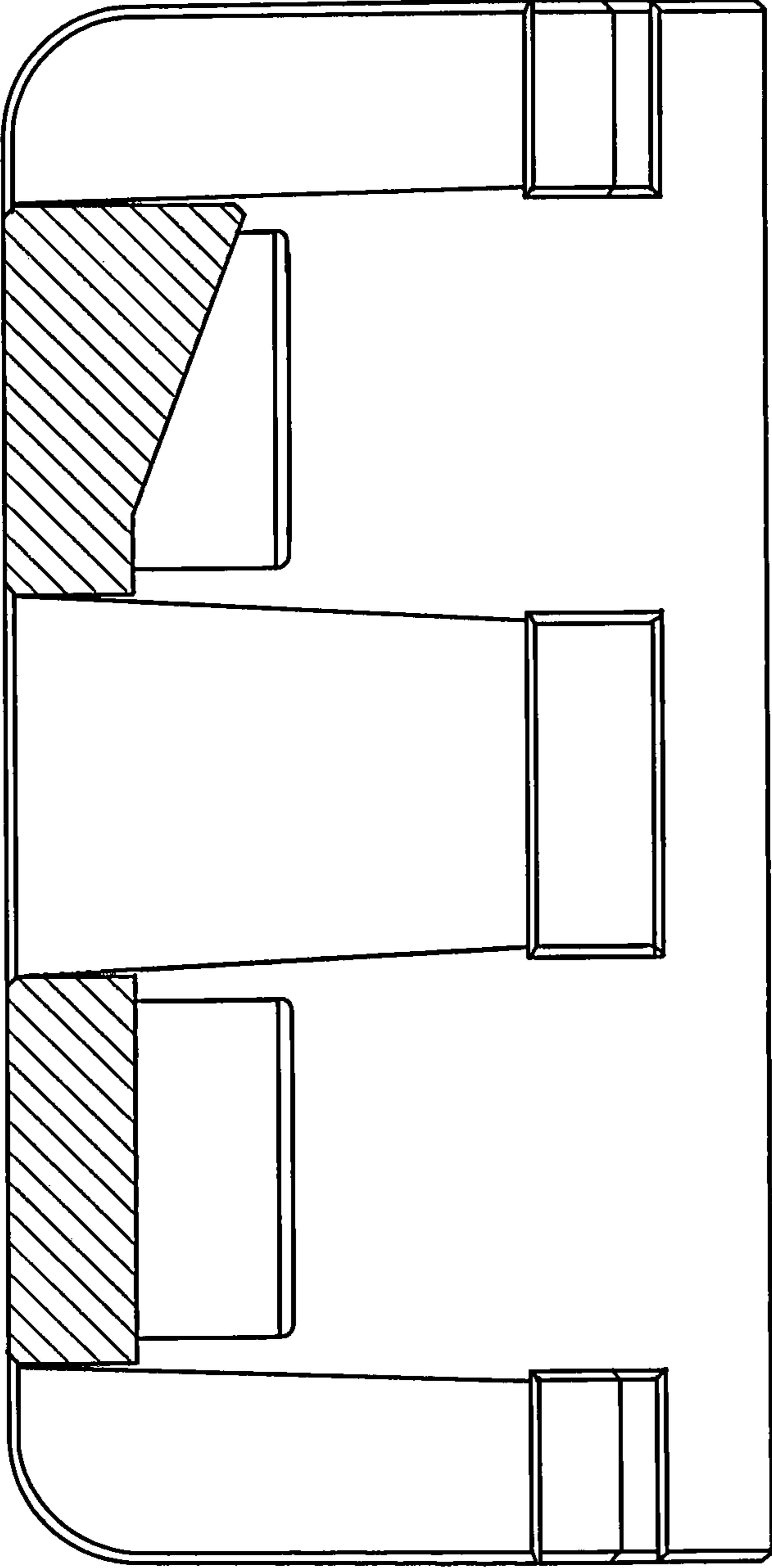


FIG. 7