



US00D682154S

(12) **United States Design Patent**
Grimm

(10) **Patent No.:** **US D682,154 S**

(45) **Date of Patent:** **** May 14, 2013**

(54) **BUCKLE**

(71) Applicant: **Michael B. Grimm**, Evanston, IL (US)

(72) Inventor: **Michael B. Grimm**, Evanston, IL (US)

(73) Assignee: **Illinois Tool Works Inc.**, Glenview, IL (US)

(**) Term: **14 Years**

(21) Appl. No.: **29/432,857**

(22) Filed: **Sep. 21, 2012**

(51) **LOC (9) Cl.** **02-07**

(52) **U.S. Cl.**
USPC **D11/216**

(58) **Field of Classification Search** D11/1-2,
D11/200-220; 24/163 R, 169-179, 191,
24/194-195, 197, 200, 614-616, 625

See application file for complete search history.

(56) **References Cited**

U.S. PATENT DOCUMENTS

D340,886 S * 11/1993 Anscher D11/218
D341,105 S * 11/1993 Lovato D11/216
6,247,213 B1 * 6/2001 Uehara 24/625

* cited by examiner

Primary Examiner — Ralf Seifert

(74) *Attorney, Agent, or Firm* — Mark W. Croll; Paul F. Donovan

(57) **CLAIM**

The ornamental design for a buckle, as shown and described.

DESCRIPTION

FIG. 1 is a perspective view of the buckle showing the new design;

FIG. 2 is a top view thereof;

FIG. 3 is a bottom view thereof;

FIG. 4 is a left side view thereof;

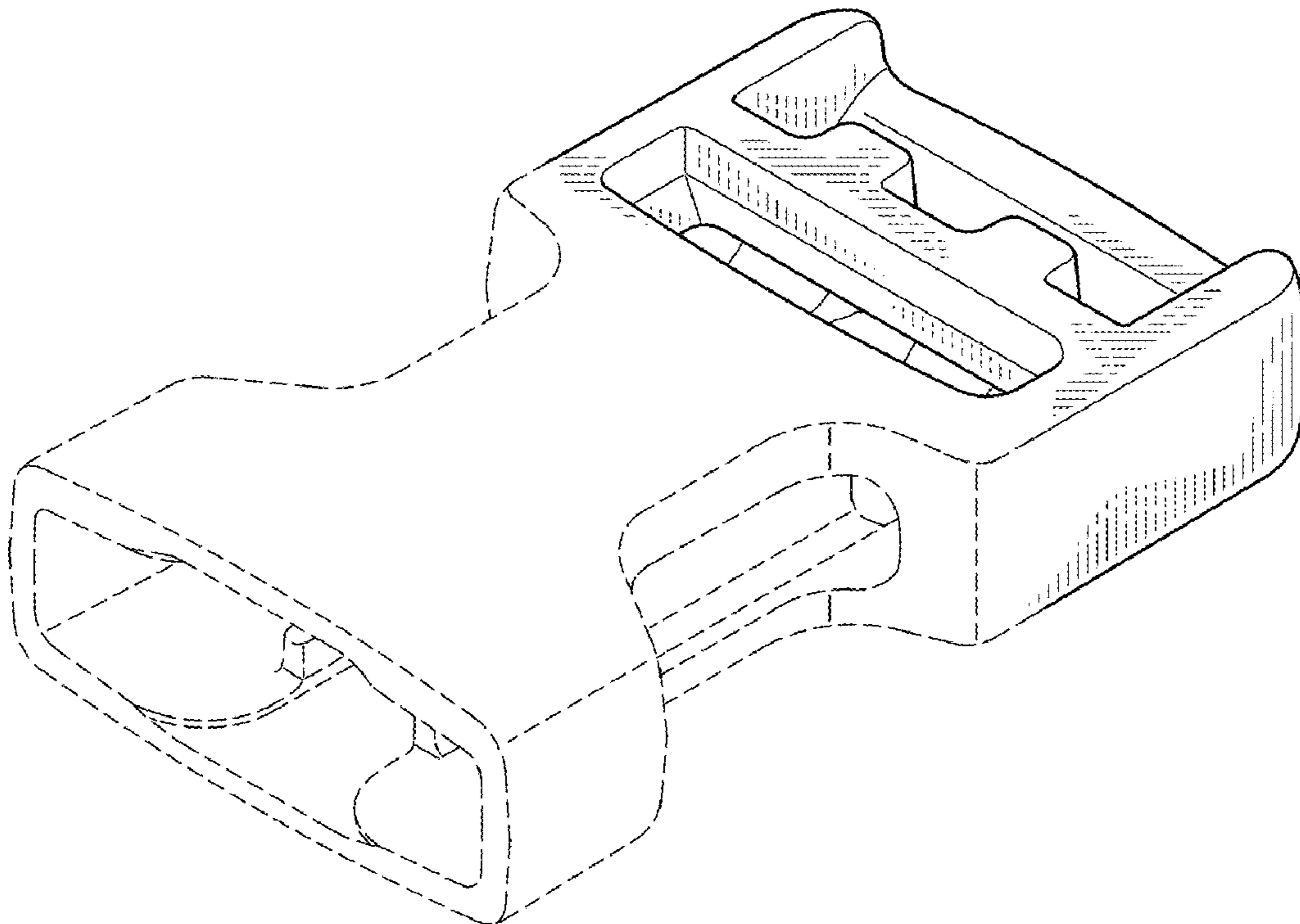
FIG. 5 is a right side view thereof;

FIG. 6 is a back view thereof; and,

FIG. 7 is a front view thereof.

The broken line portions of the disclosure are for illustrative purposes only and form no part of the claimed design.

1 Claim, 4 Drawing Sheets



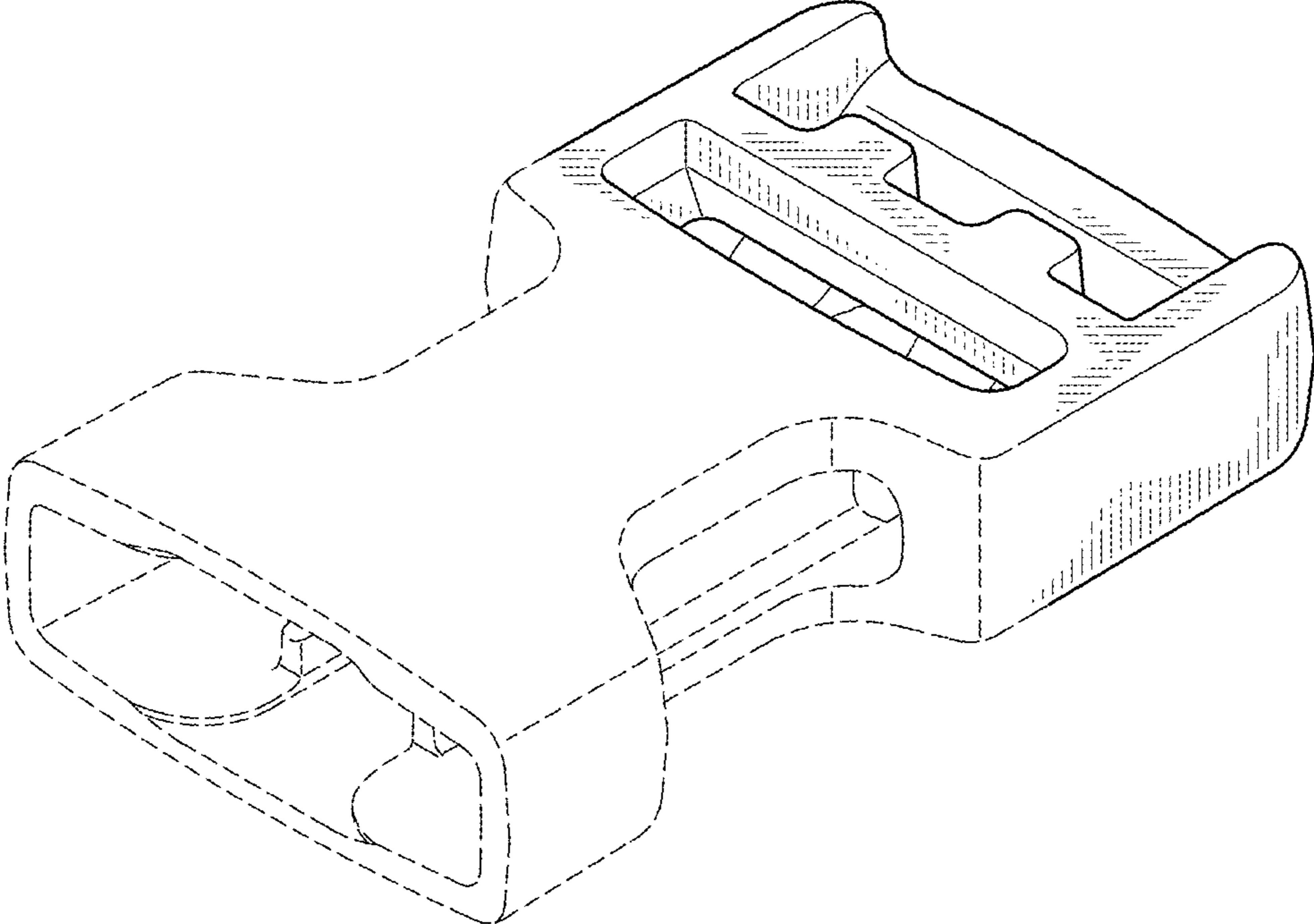


FIG. 1

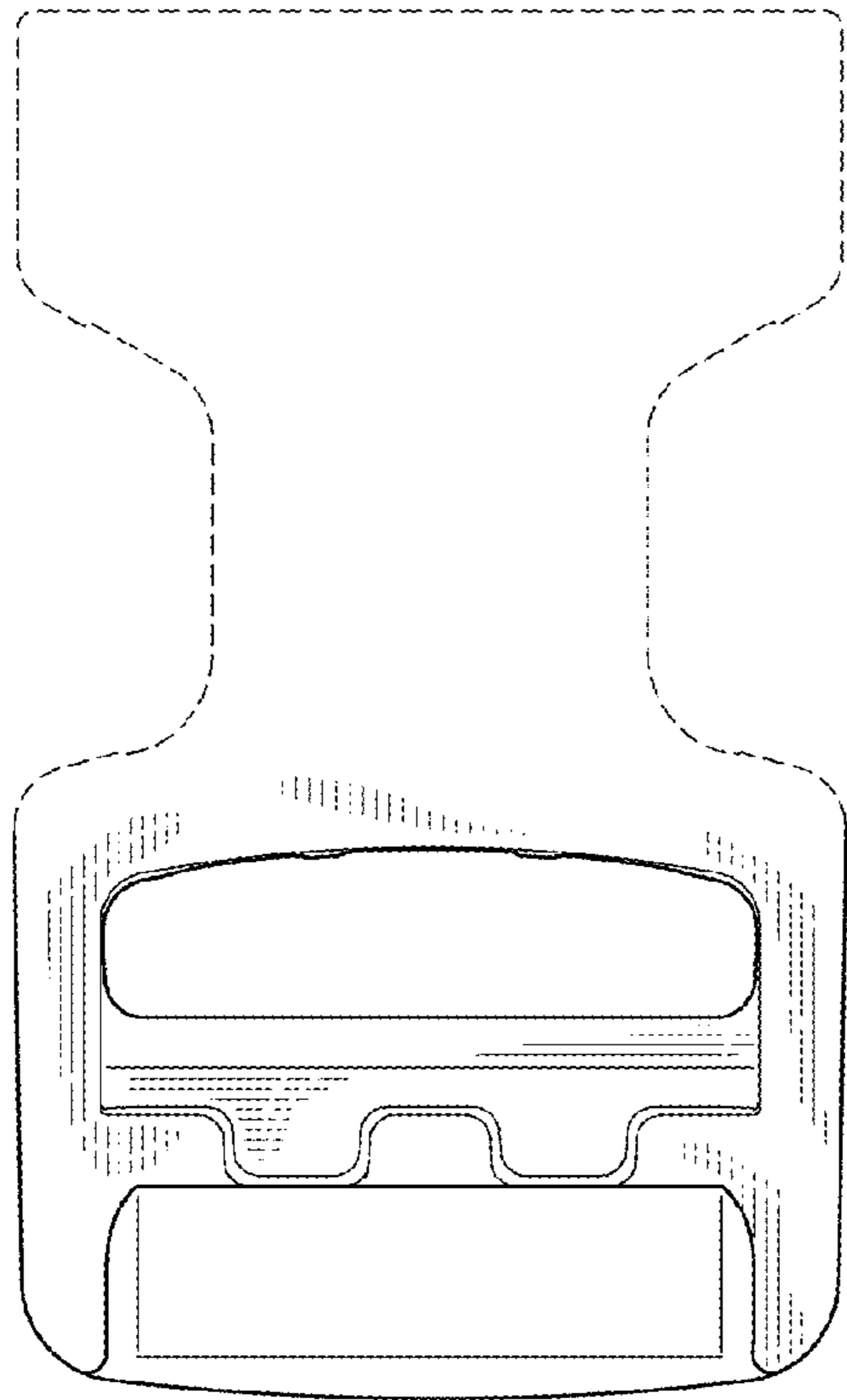


FIG. 2

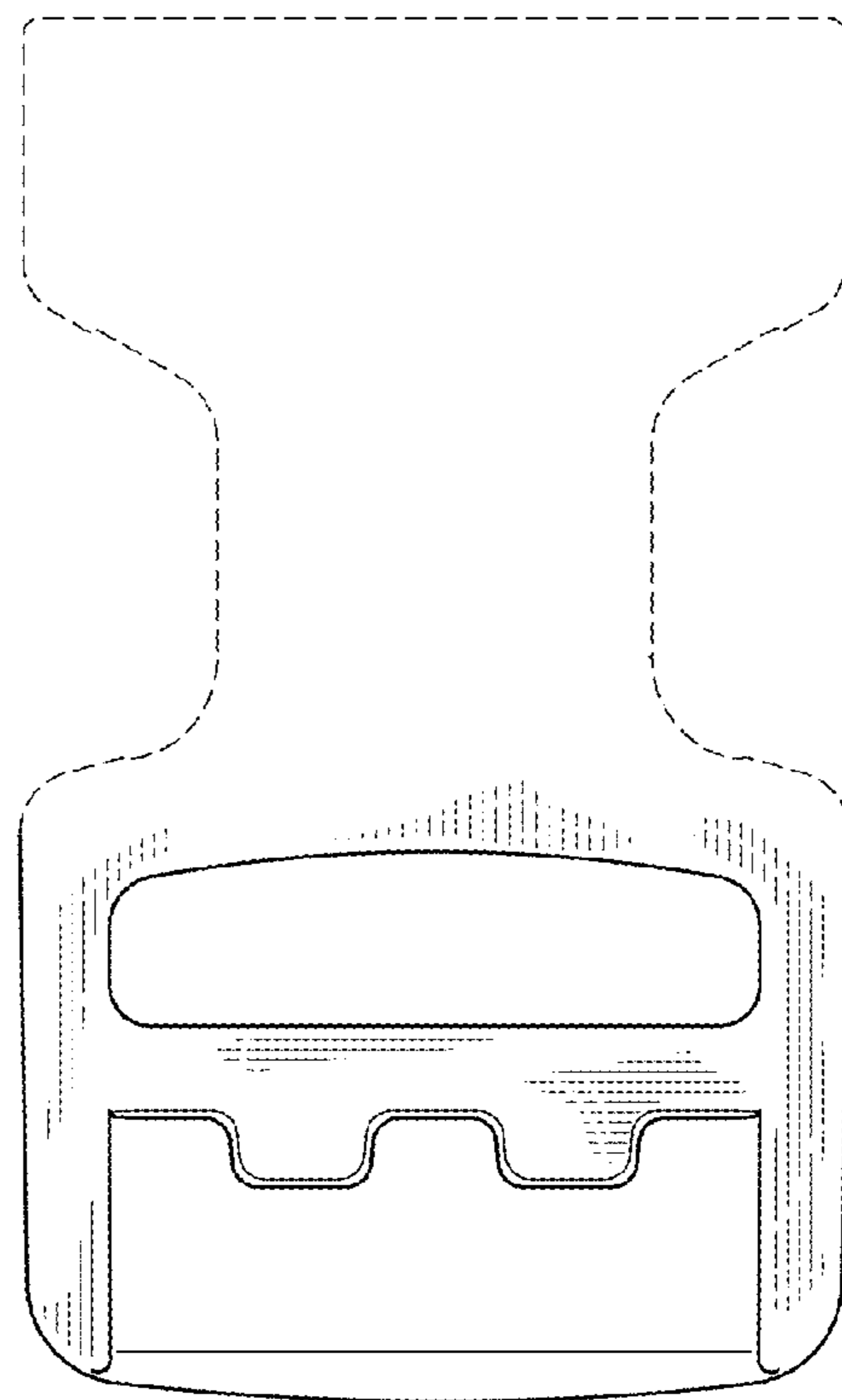


FIG. 3

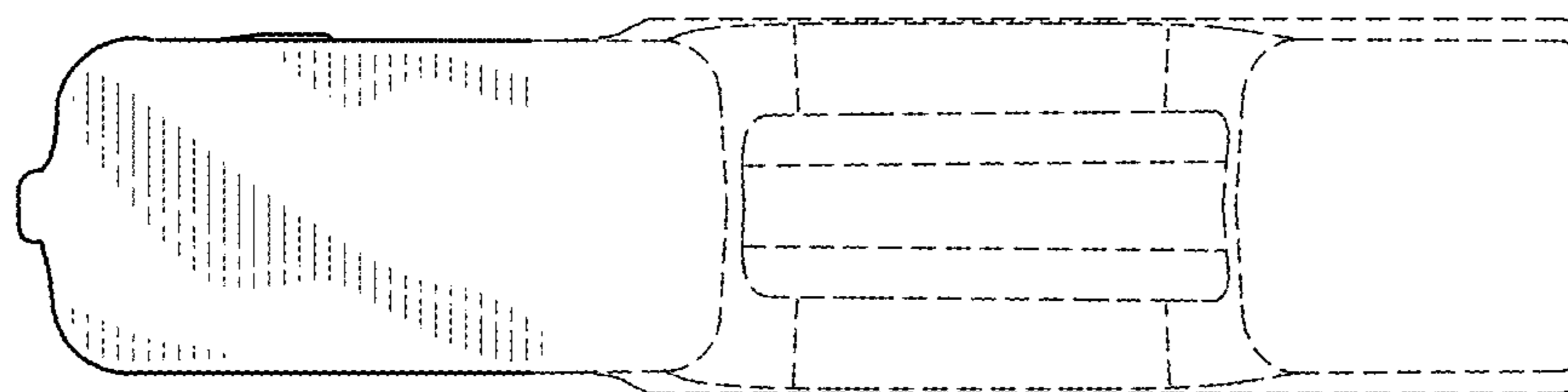


FIG. 4

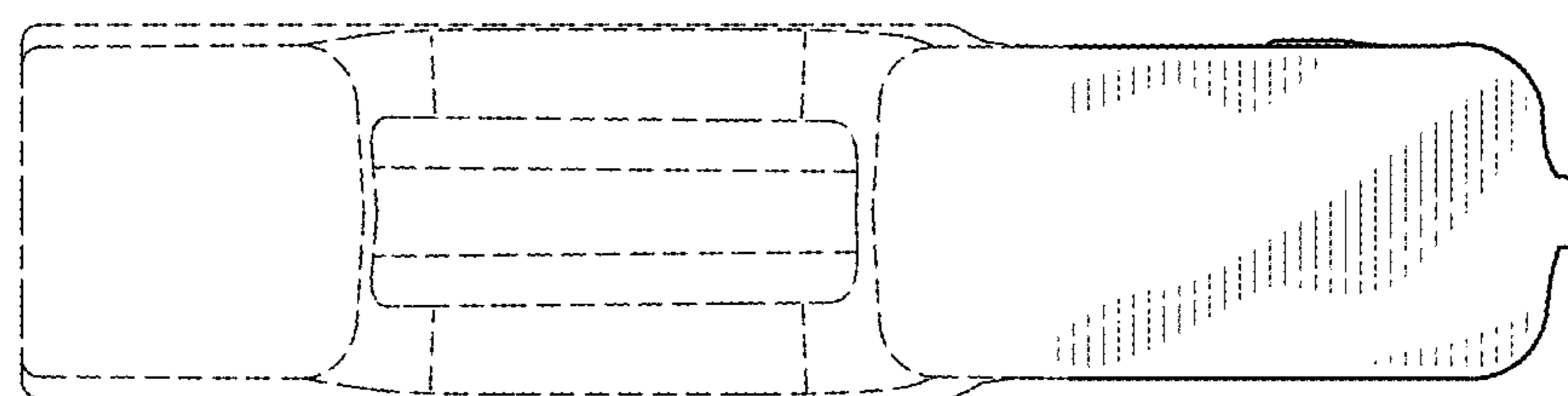


FIG. 5

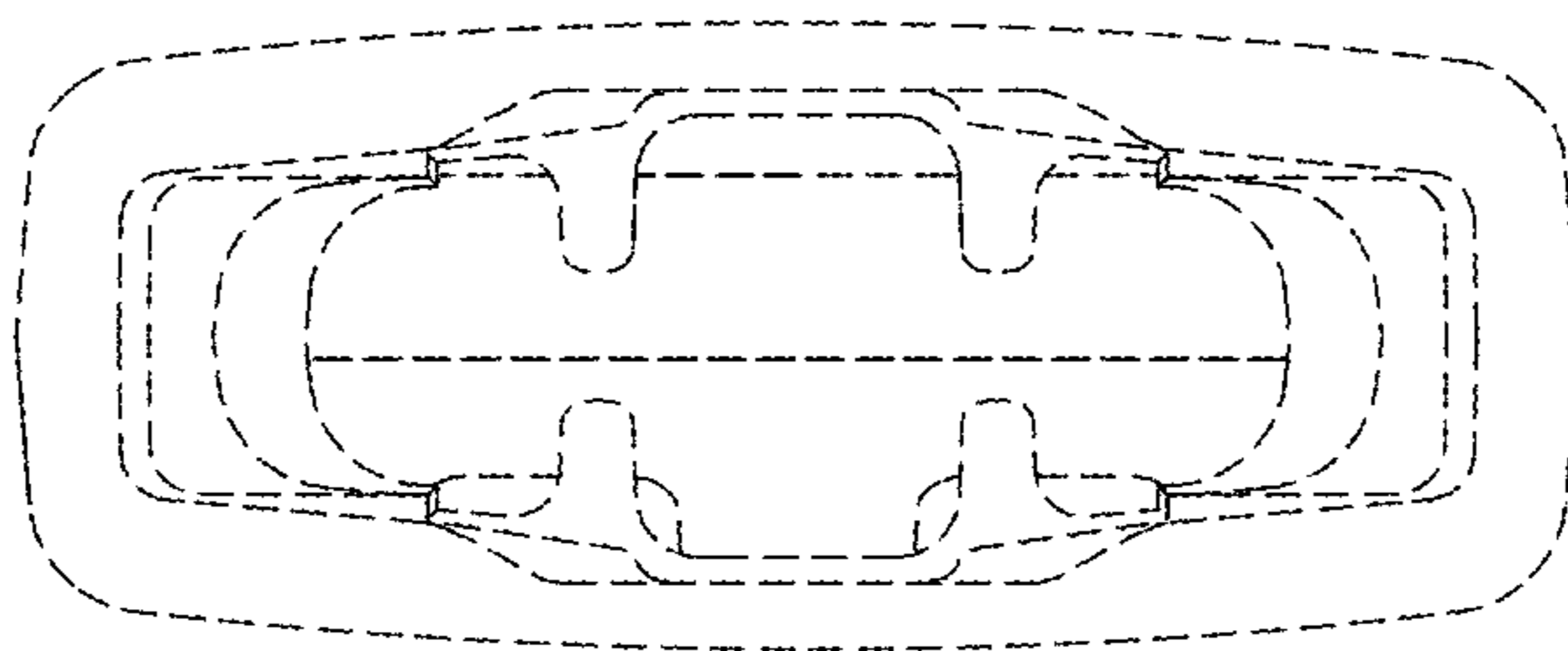


FIG. 6

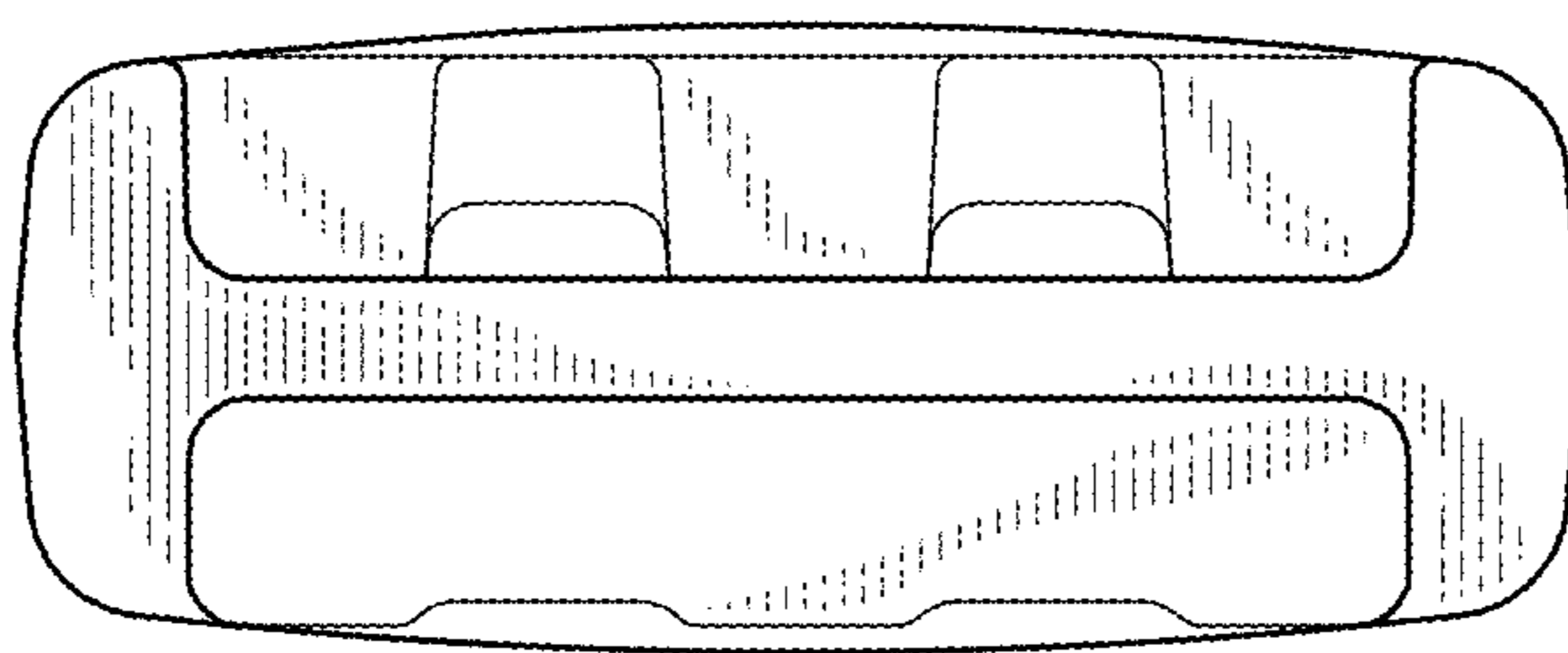


FIG. 7