



US00D682153S

(12) **United States Design Patent**  
**Dickey**

(10) **Patent No.:** **US D682,153 S**

(45) **Date of Patent:** **\*\* May 14, 2013**

(54) **DOUBLE CAM BUCKLE**

(76) Inventor: **Robert S. Dickey**, Tucson, AZ (US)

(\*\*) Term: **14 Years**

(21) Appl. No.: **29/432,388**

(22) Filed: **Sep. 14, 2012**

(51) **LOC (9) Cl.** ..... **02-07**

(52) **U.S. Cl.**  
USPC ..... **D11/216**

(58) **Field of Classification Search** ..... D11/1-2,  
D11/200-201, 206-210, 214-218; 24/163 R,  
24/169-171, 173, 177-179, 191, 194-195,  
24/197, 200, 614-616, 625, 68 CD; D8/356  
See application file for complete search history.

(56) **References Cited**

**U.S. PATENT DOCUMENTS**

D136,912 S *	12/1943	Glaser	.....	D11/215
4,584,742 A *	4/1986	Speich	.....	24/68 CD
4,987,653 A *	1/1991	Lin	.....	24/68 CD
D354,457 S *	1/1995	McIntyre	.....	D11/216
D364,364 S *	11/1995	Takimoto	.....	D11/216

\* cited by examiner

*Primary Examiner* — Ralf Seifert

(74) *Attorney, Agent, or Firm* — Nikia L. Gray; Quarles & Brady LLP

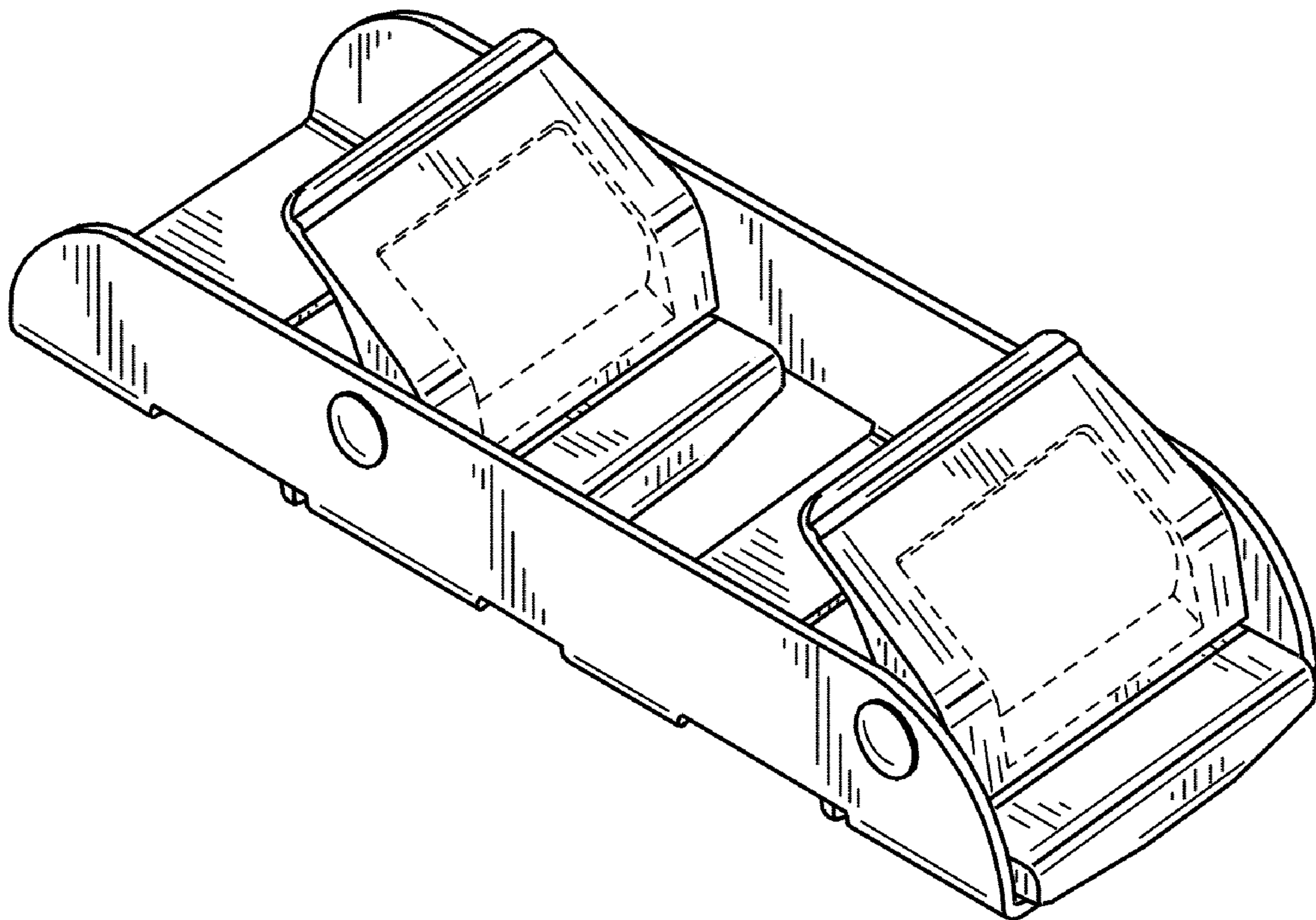
(57) **CLAIM**

The ornamental design for a double cam buckle, as shown and described.

**DESCRIPTION**

FIG. 1 is a perspective view showing Applicant's double cam buckle;  
FIG. 2 is a top side view thereof;  
FIG. 3 is a side view thereof;  
FIG. 4 is a bottom view thereof;  
FIG. 5 is a first end view thereof;  
FIG. 6 is a second end view thereof; and,  
FIG. 7 is a perspective view showing a strap threaded through Applicant's double cam buckle.

**1 Claim, 5 Drawing Sheets**



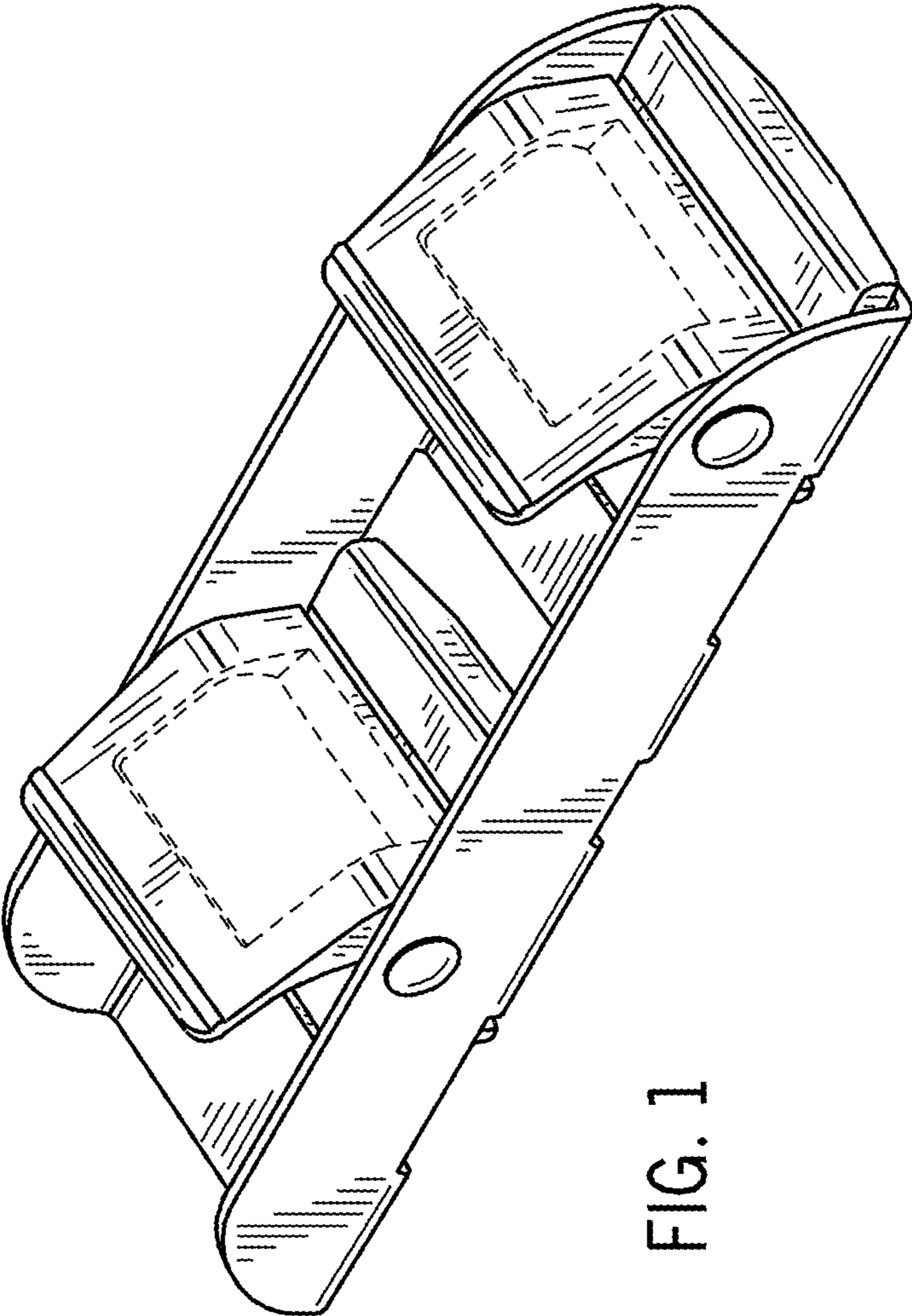


FIG. 1

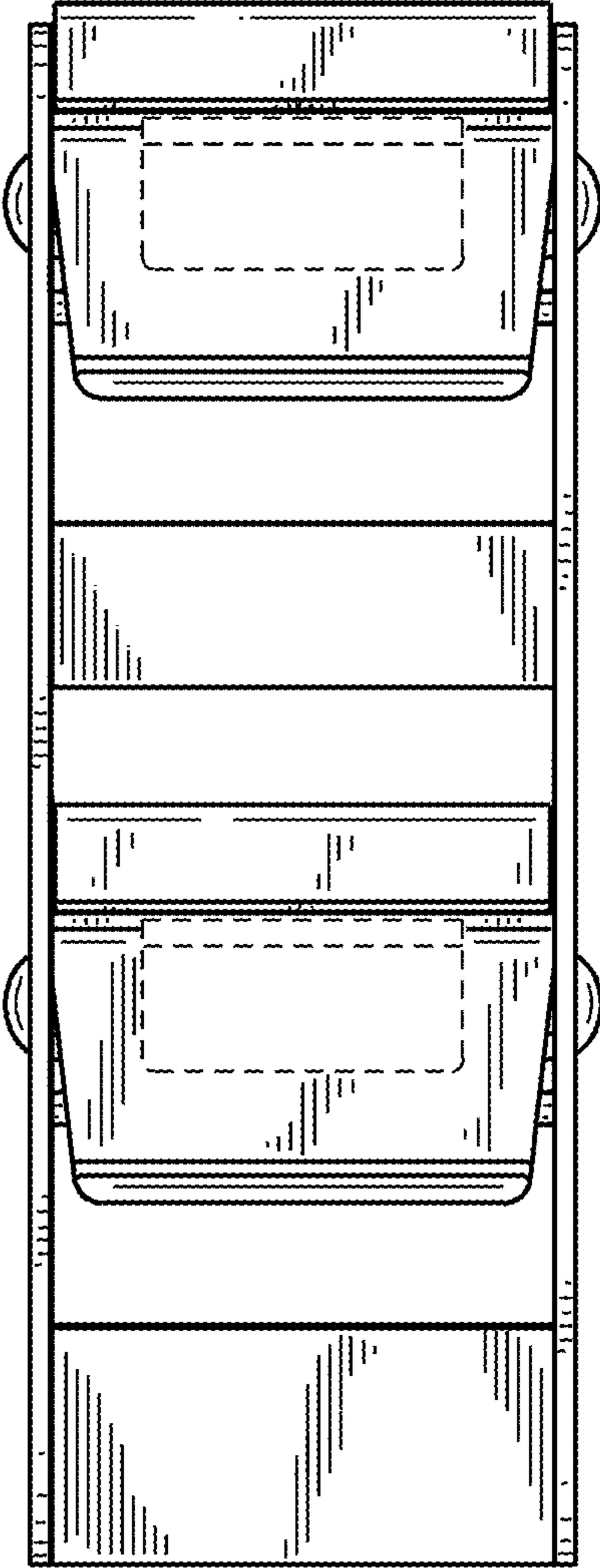


FIG. 2

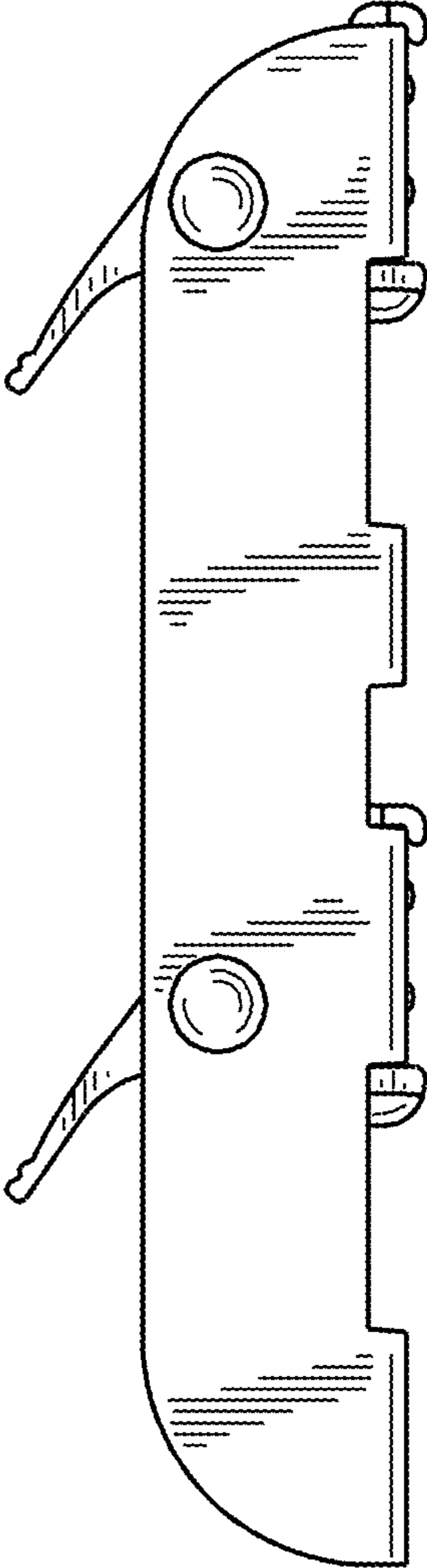


FIG. 3

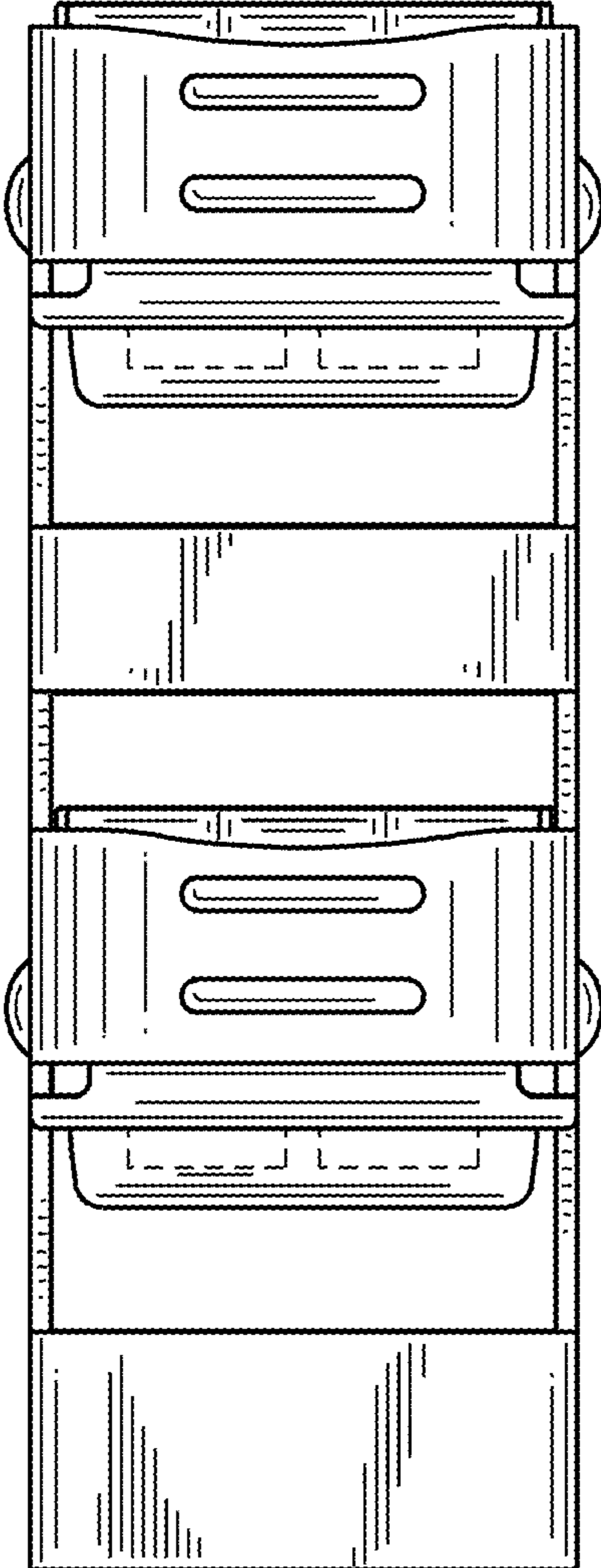


FIG. 4

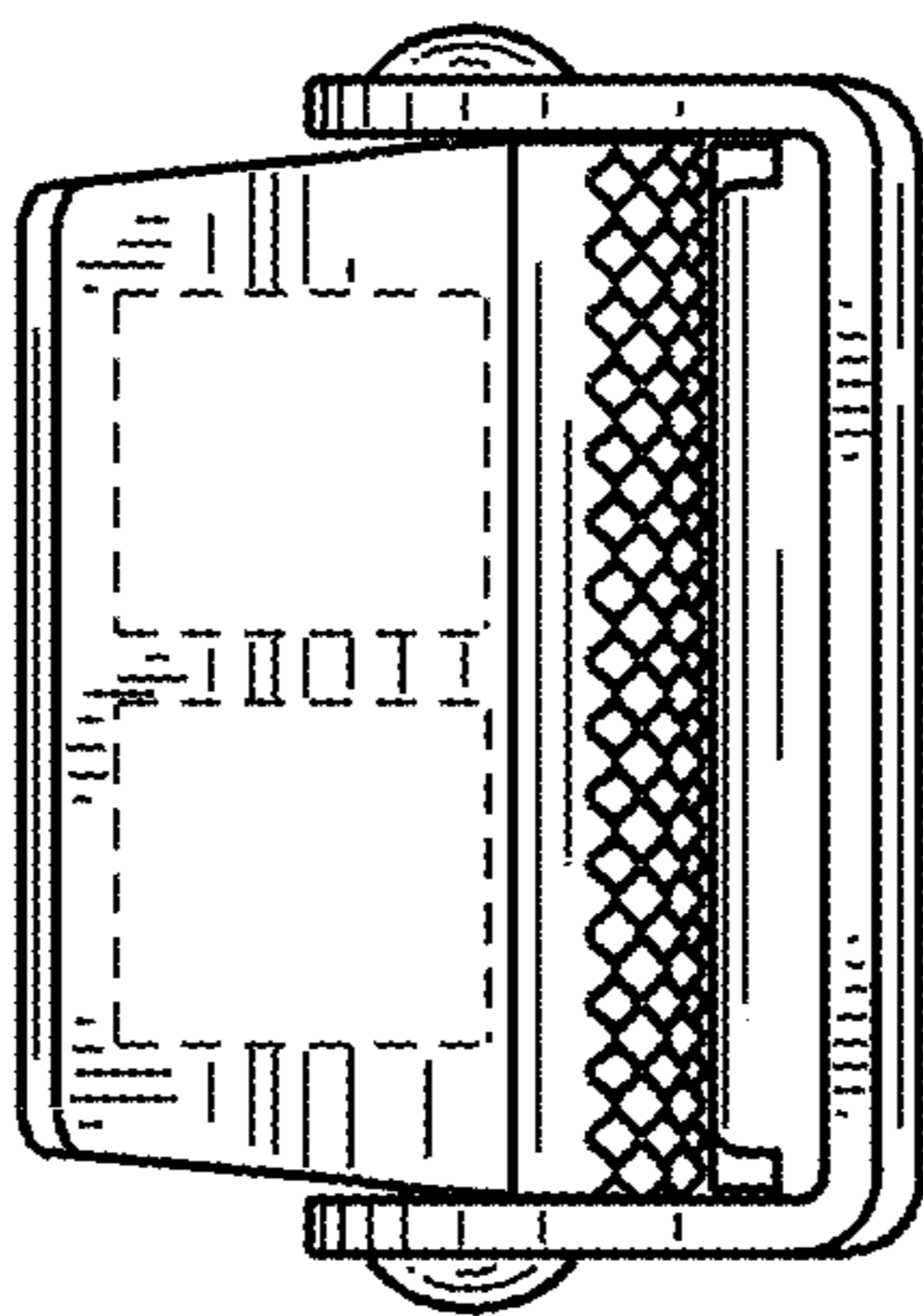


FIG. 6

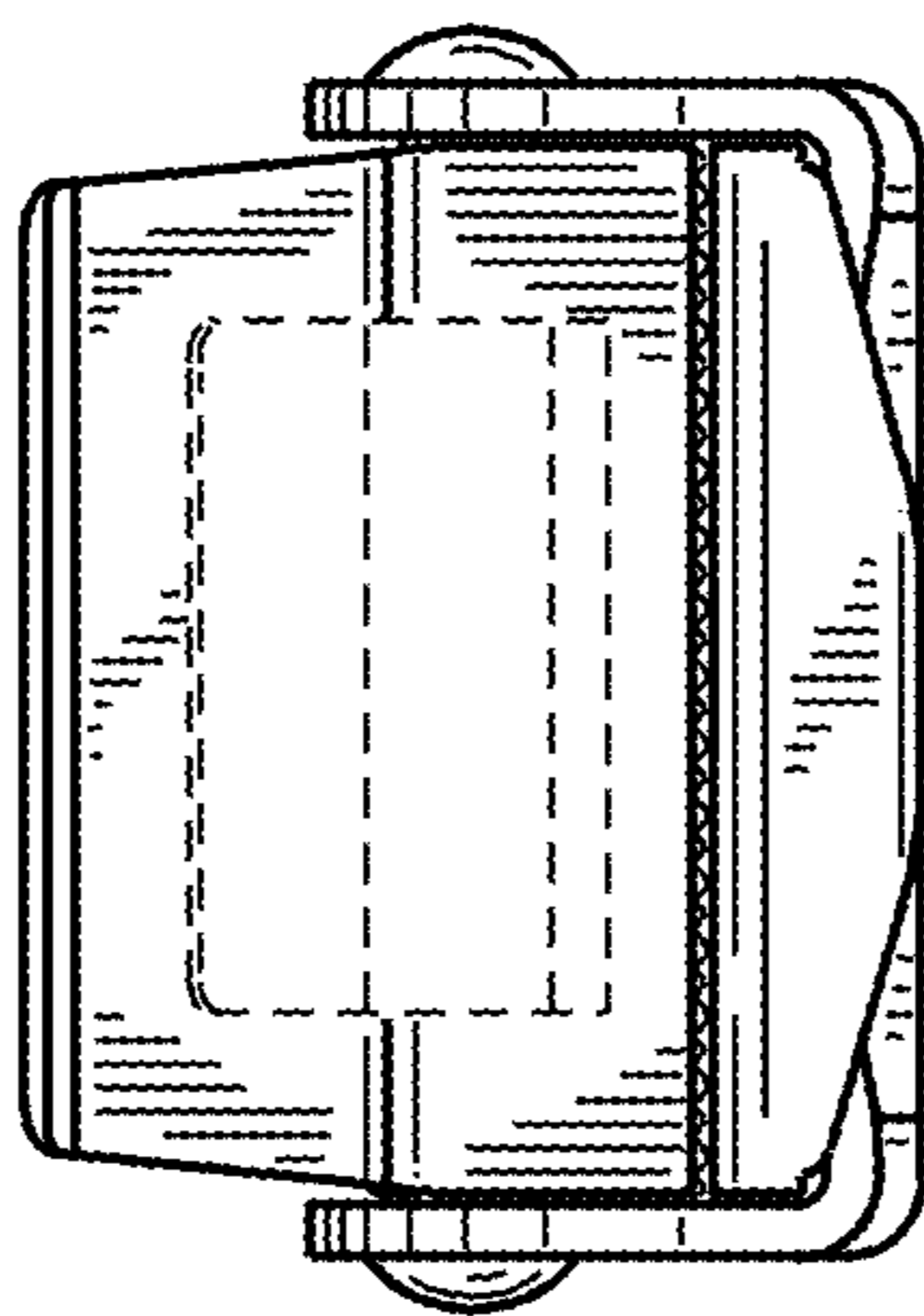


FIG. 5



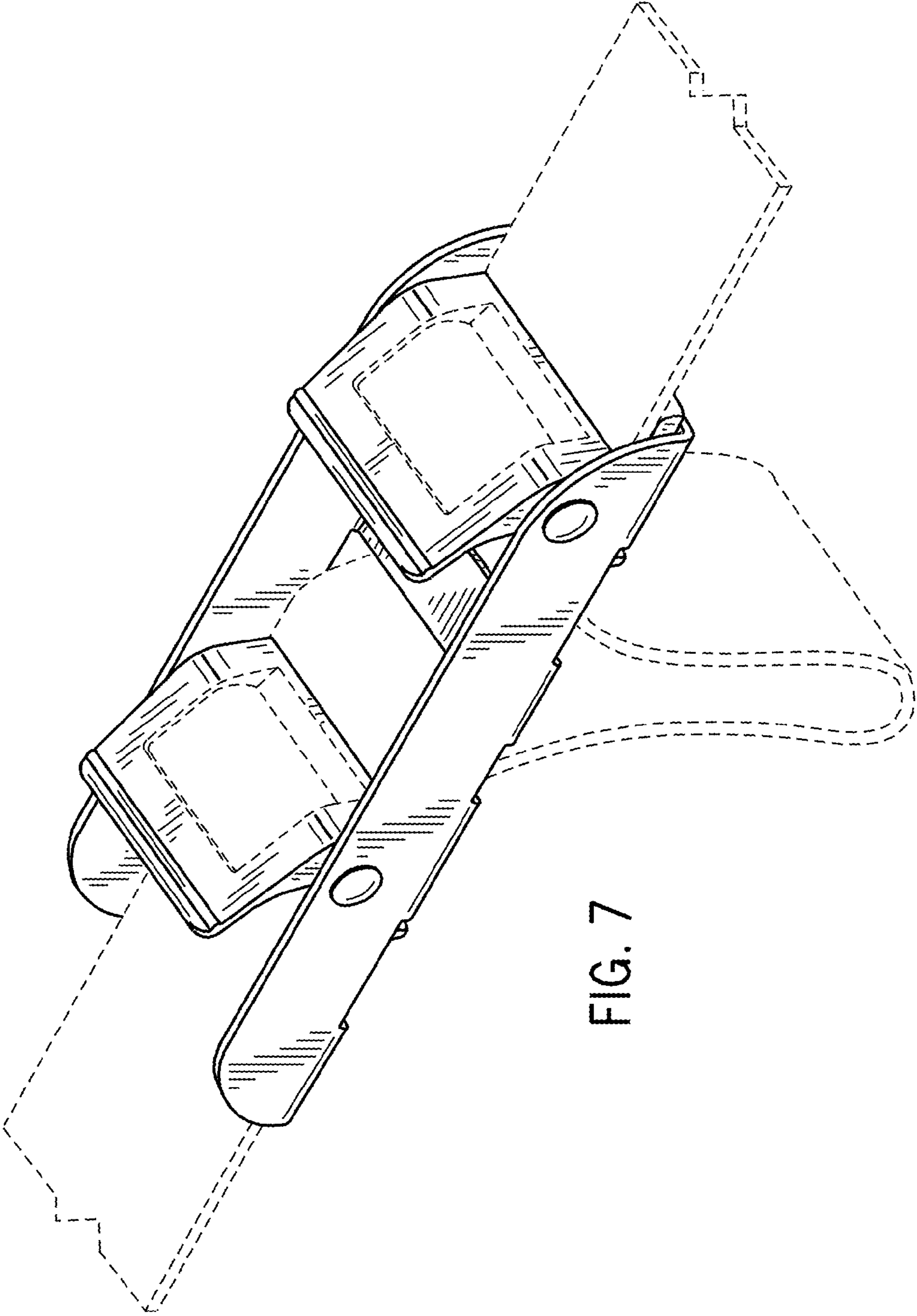


FIG. 7