



US00D682152S

(12) **United States Design Patent**
Grimm et al.

(10) **Patent No.:** **US D682,152 S**

(45) **Date of Patent:** **** May 14, 2013**

(54) **SIDE RELEASE BUCKLE**

(75) Inventors: **Michael B. Grimm**, Evanston, IL (US);
Martin J. Nilsen, Hampshire, IL (US);
Christopher A. J. Iannello, Rolling
Meadows, IL (US)

(73) Assignee: **Illinois Tool Works Inc.**, Glenview, IL
(US)

(**) Term: **14 Years**

(21) Appl. No.: **29/427,469**

(22) Filed: **Jul. 18, 2012**

(51) **LOC (9) Cl.** **02-07**

(52) **U.S. Cl.**
USPC **D11/216**

(58) **Field of Classification Search** D11/1-2,
D11/200-220; 24/163 R, 169-179, 191,
24/194-195, 197, 200, 614-616, 625
See application file for complete search history.

(56) **References Cited**

U.S. PATENT DOCUMENTS

D312,430 S * 11/1990 Crowle D11/216

D349,664 S * 8/1994 Ueno D11/216
D581,835 S * 12/2008 Yang D11/218
D649,086 S * 11/2011 Kaneko D11/216
D667,338 S * 9/2012 Kaneko D11/216

* cited by examiner

Primary Examiner — Ralf Seifert

(74) *Attorney, Agent, or Firm* — Mark W. Croll; Paul F.
Donovan

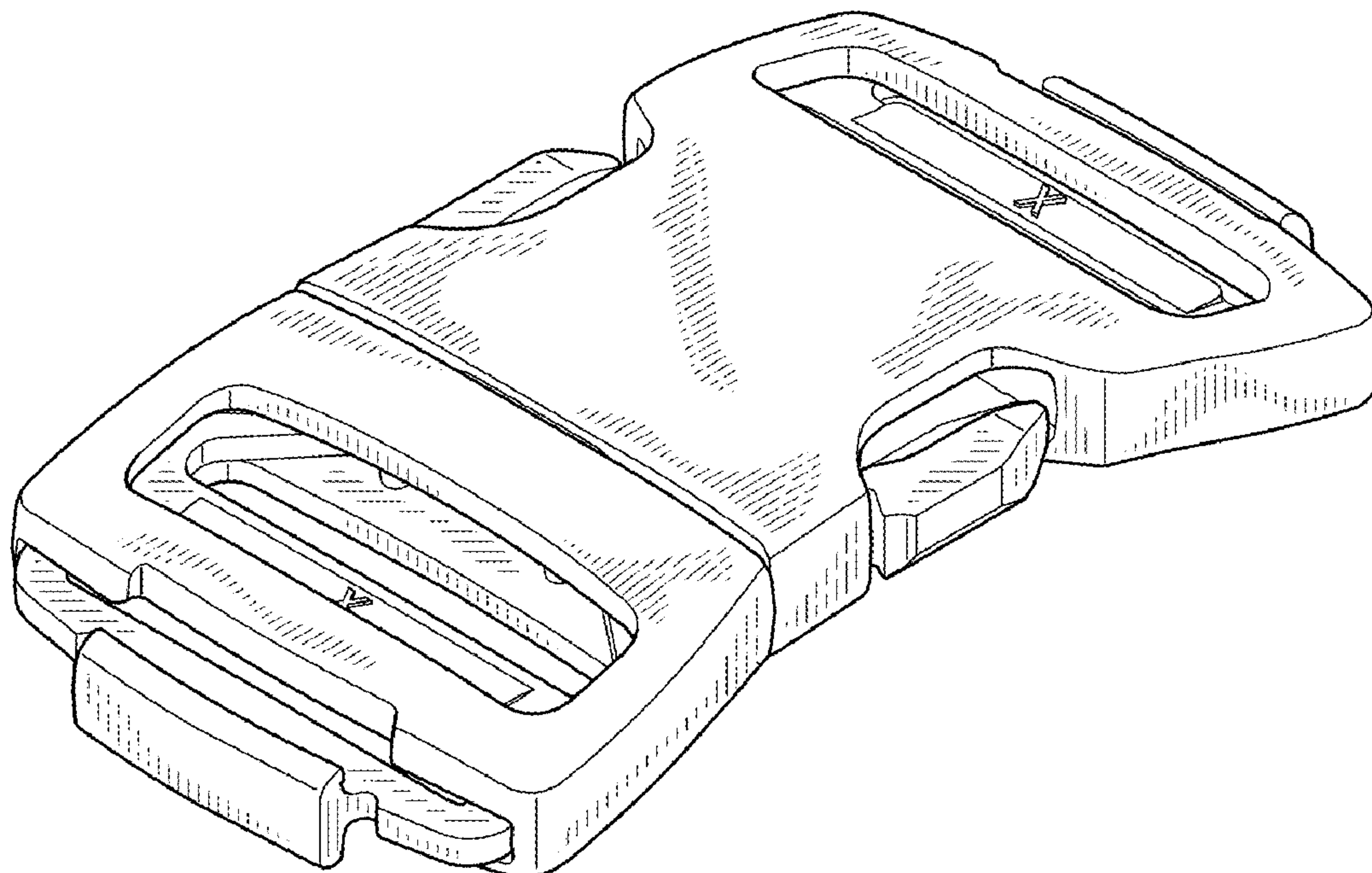
(57) **CLAIM**

The ornamental design for a side release buckle, as shown and
described.

DESCRIPTION

FIG. 1 is a perspective view of the side release buckle showing
the new design;
FIG. 2 is a top view thereof;
FIG. 3 is a bottom view thereof;
FIG. 4 is a front view thereof;
FIG. 5 is a back view thereof;
FIG. 6 is a left side view thereof; and,
FIG. 7 is a right side view thereof.

1 Claim, 4 Drawing Sheets



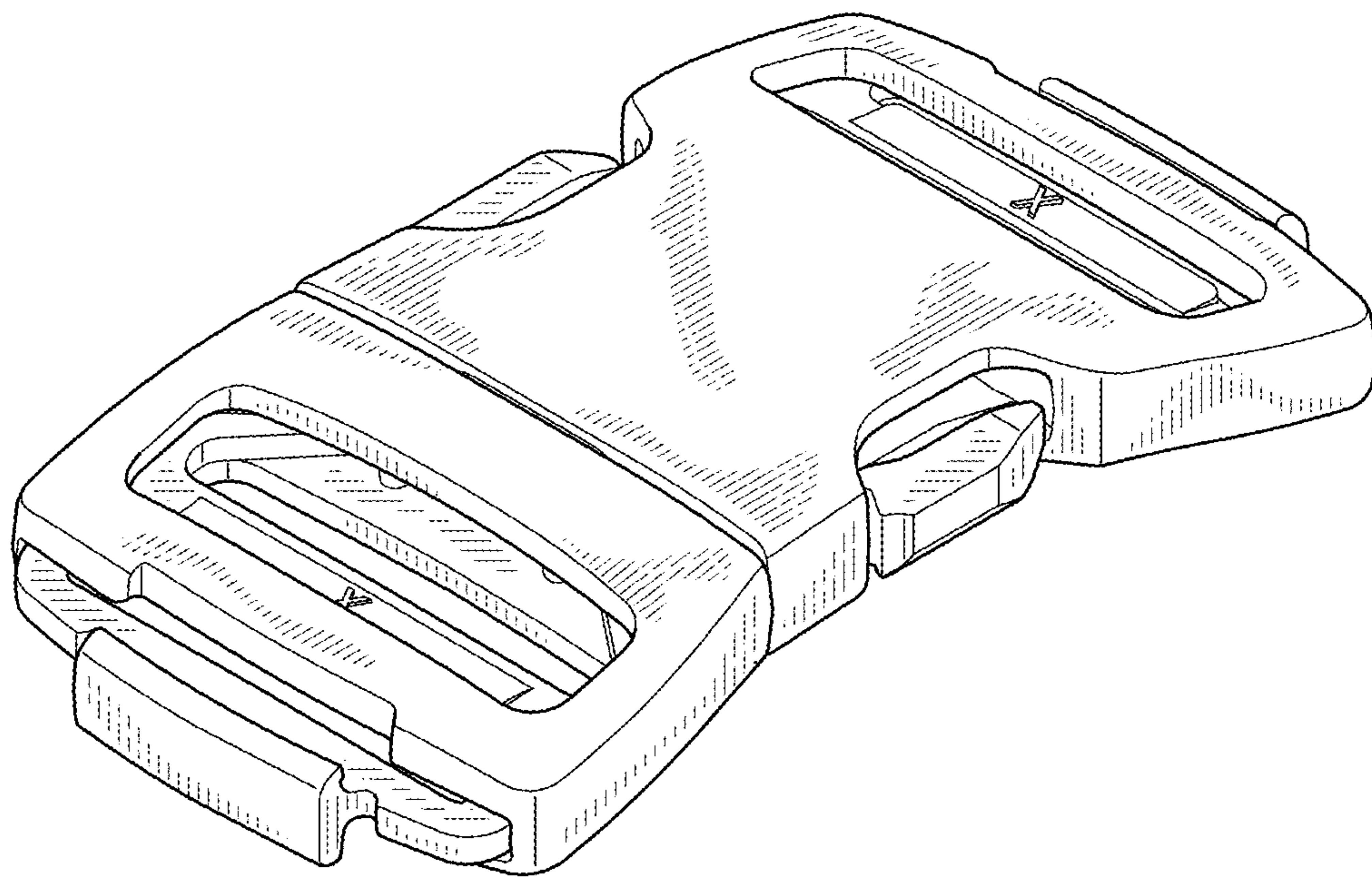


FIG. 1

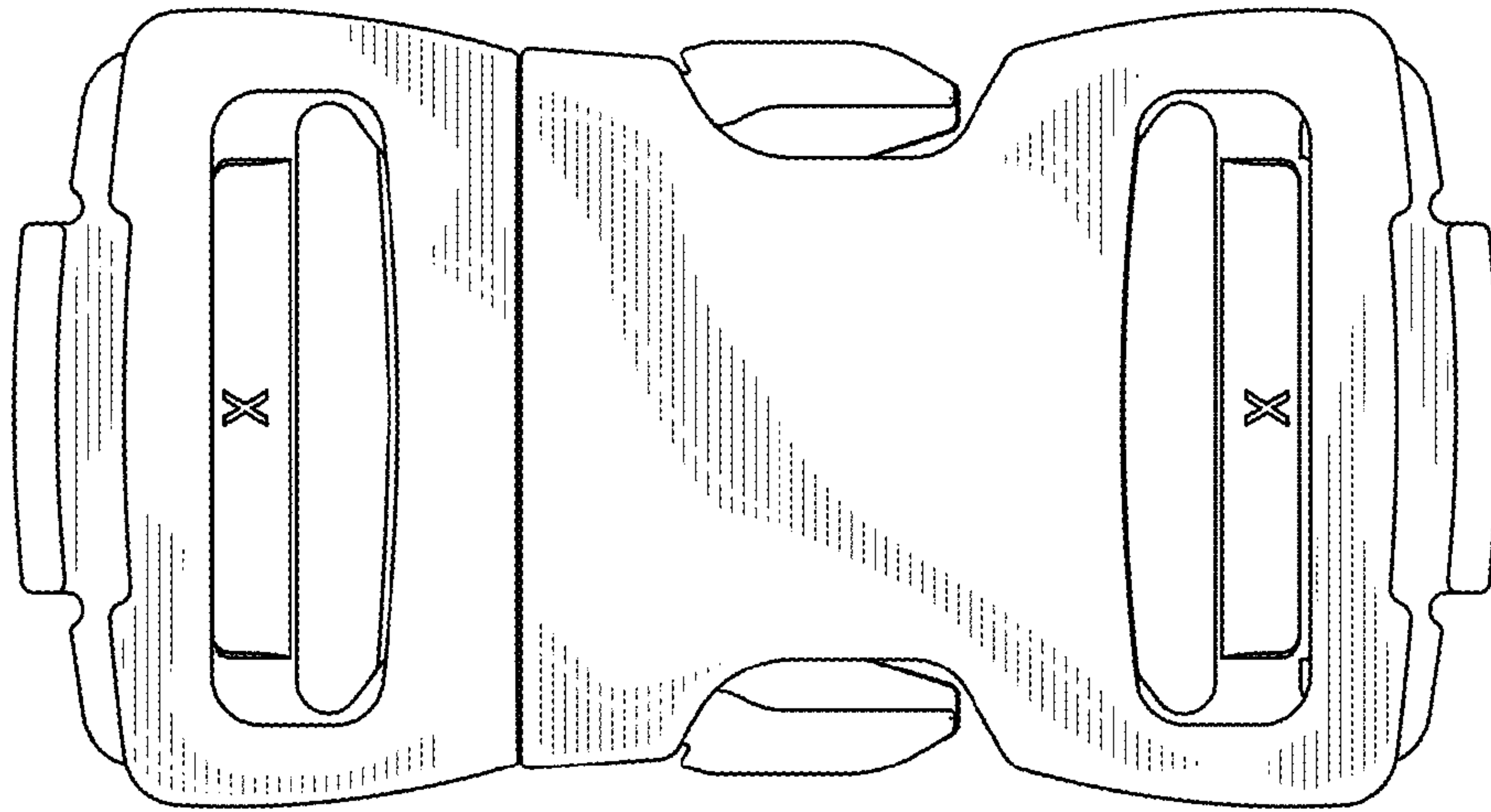


FIG. 2

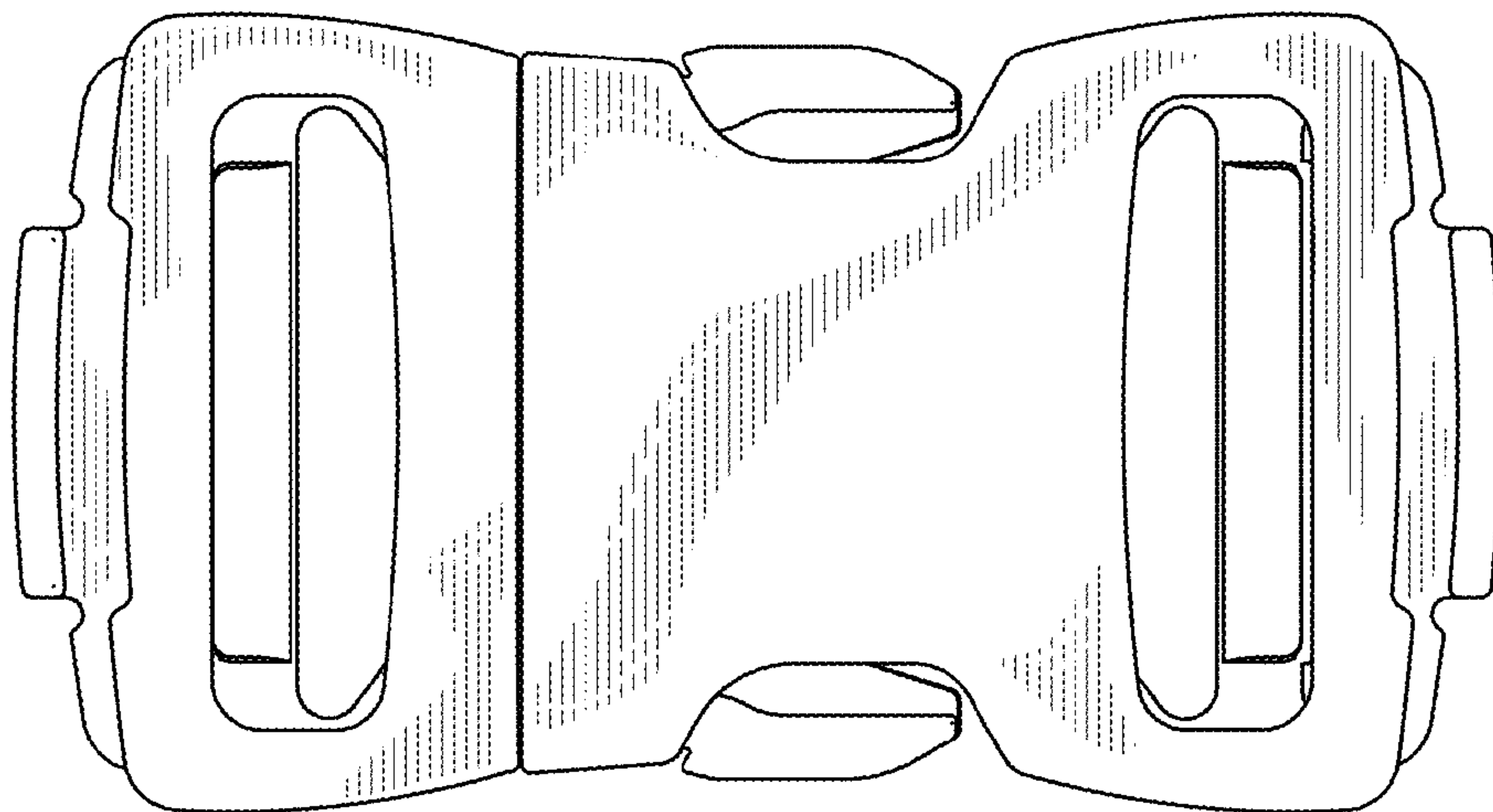


FIG. 3

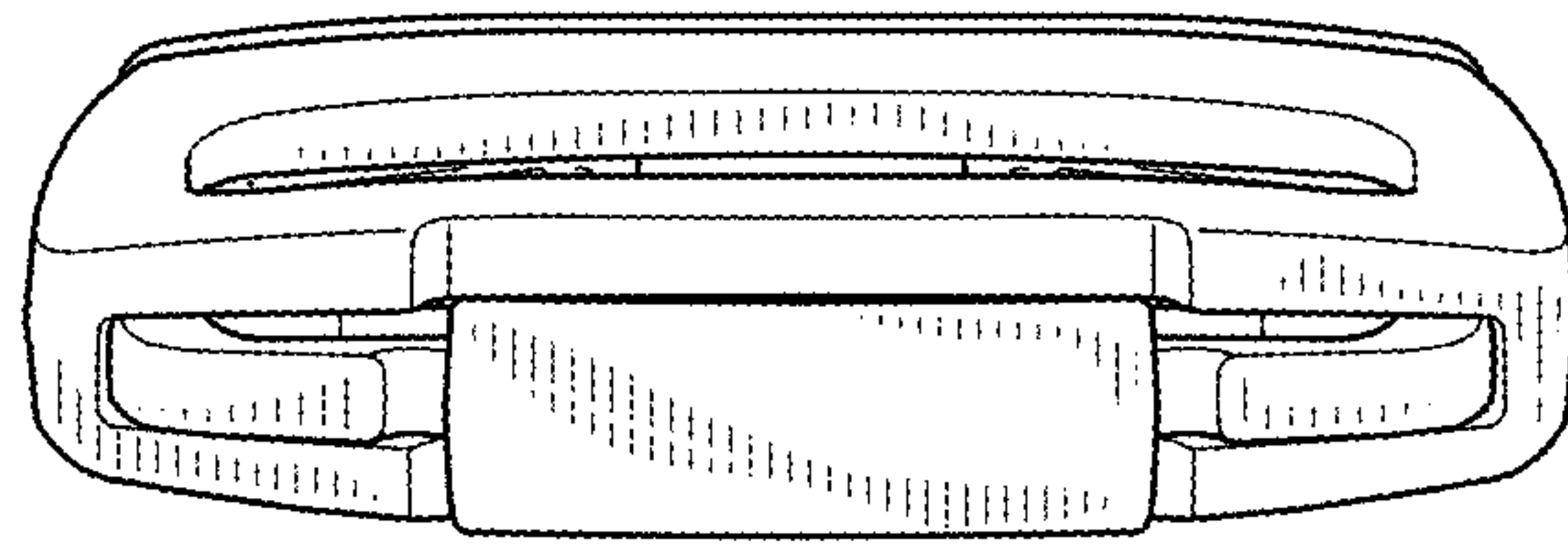


FIG. 4

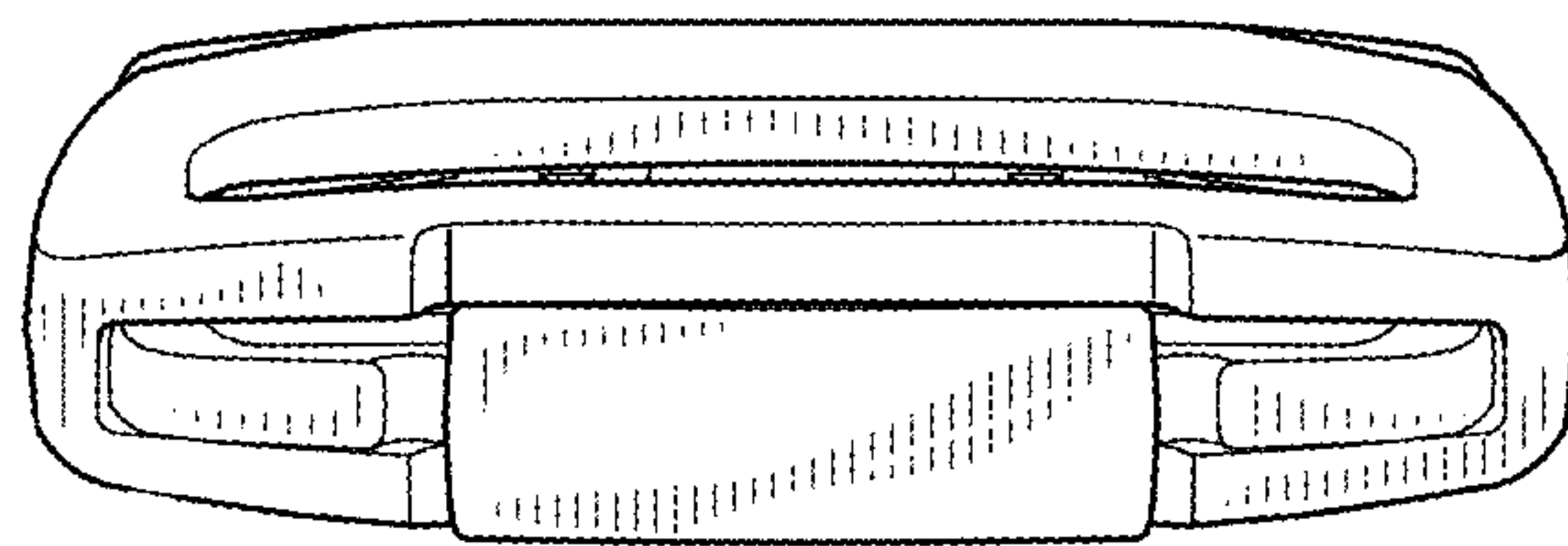


FIG. 5

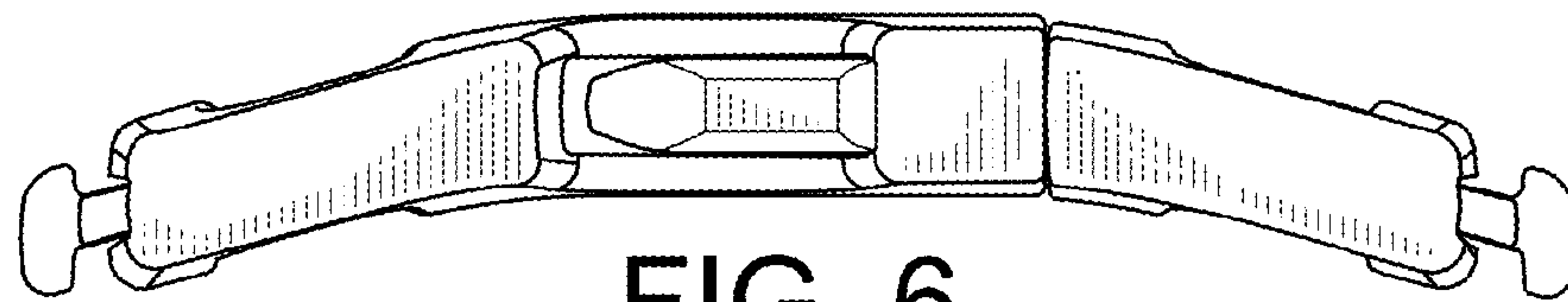


FIG. 6

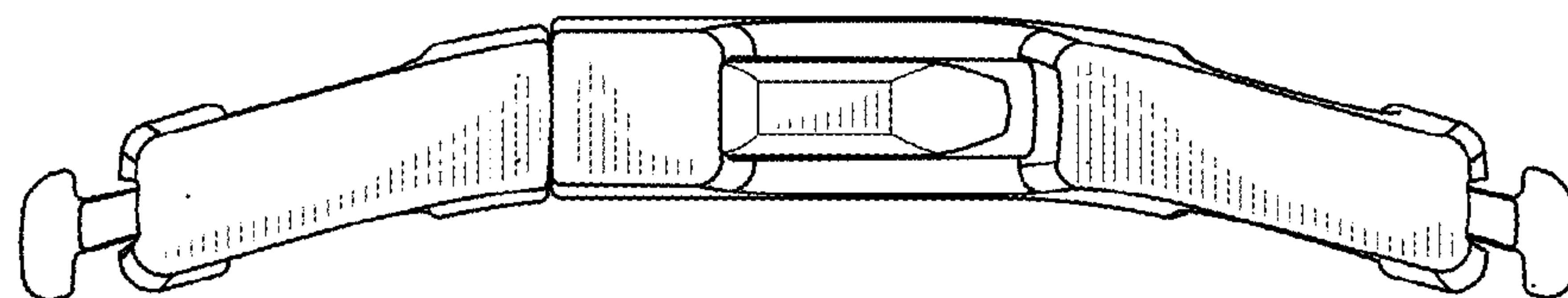


FIG. 7