



US00D682147S

(12) **United States Design Patent**
Dubow

(10) **Patent No.:** **US D682,147 S**

(45) **Date of Patent:** **** May 14, 2013**

(54) **WOODY CORK HOLDER**

(71) Applicant: **Epic Products, Inc.**, Santa Ana, CA
(US)

(72) Inventor: **Ardeen Dubow**, Santa Ana, AR (US)

(73) Assignee: **Epic Products, Inc.**, Santa Ana, CA
(US)

(**) Term: **14 Years**

(21) Appl. No.: **29/440,707**

(22) Filed: **Dec. 26, 2012**

(51) **LOC (9) Cl.** **11-02**

(52) **U.S. Cl.**
USPC **D11/157**

(58) **Field of Classification Search** D11/130,
D11/157, 164, 184; D17/19, 20, 14; D7/560,
D7/564, 563, 571, 628, 604, 606, 625, 601;
D9/681, 600; D3/270, 271.1; 206/206
See application file for complete search history.

(56) **References Cited**

U.S. PATENT DOCUMENTS

D287,650 S * 1/1987 Braeuner D30/110
D309,047 S * 7/1990 Small D30/114

D309,429 S * 7/1990 Grimm D3/271.1
D436,145 S * 1/2001 Chan D21/541
D545,925 S * 7/2007 Milner D21/533
D617,611 S * 6/2010 DuBow D7/628
D617,612 S * 6/2010 DuBow D7/628
D626,325 S * 11/2010 DuBow D3/202
D639,159 S * 6/2011 Dubow D9/439
D672,684 S * 12/2012 Dubow D11/157
D674,317 S * 1/2013 Dubow D11/157

* cited by examiner

Primary Examiner — T. Chase Nelson

Assistant Examiner — Michelle E Wilson

(74) *Attorney, Agent, or Firm* — Nath, Goldberg & Meyer;
Jerald L. Meyer; Scott C. Langford

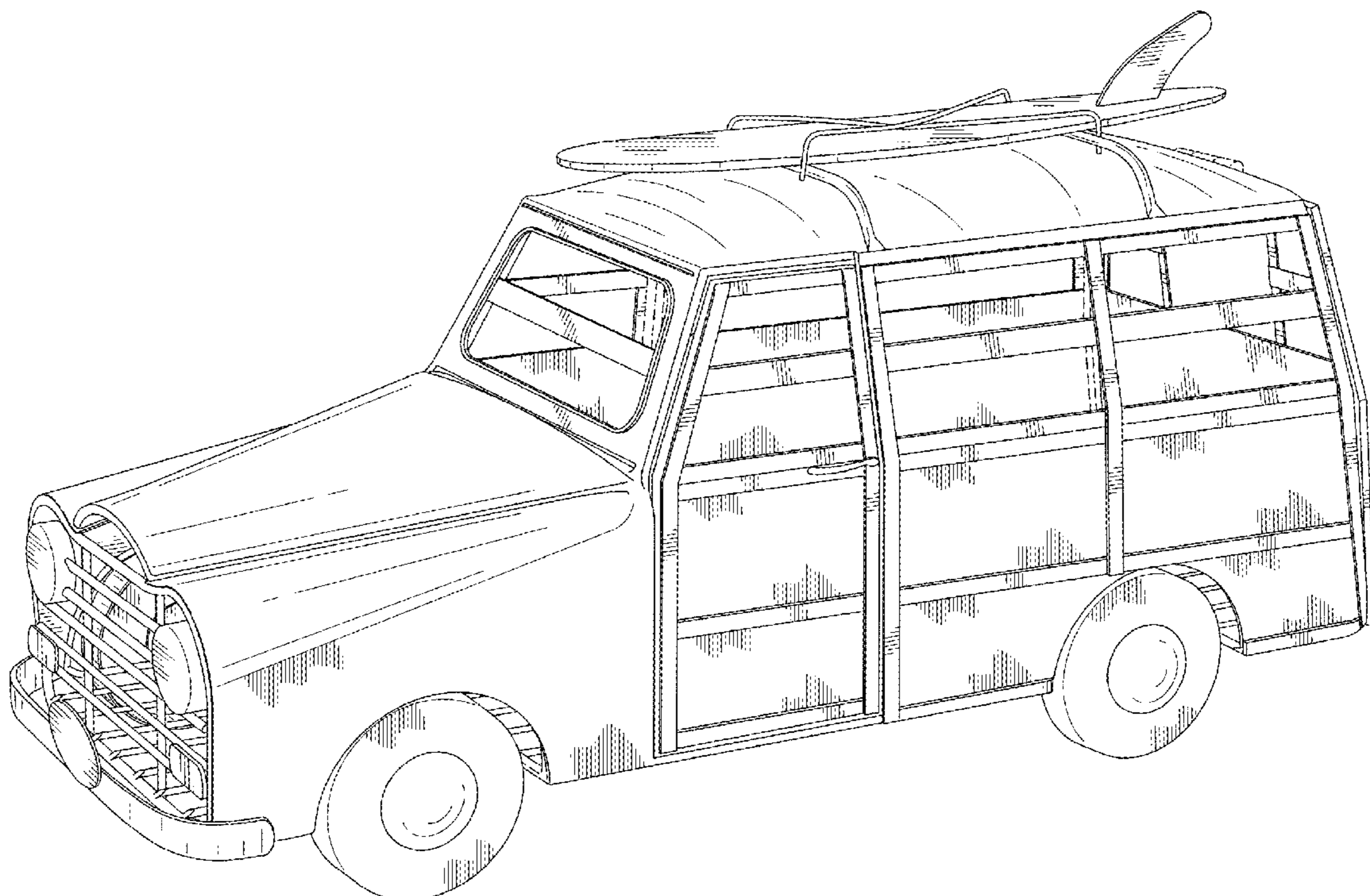
(57) **CLAIM**

The ornamental design for a woody cork holder, as shown and described.

DESCRIPTION

FIG. 1 is a front, right side and top perspective view of a woody cork holder showing my new design;
FIG. 2 is a left side, front and top perspective view thereof;
FIG. 3 is a back, bottom and left side view thereof;
FIG. 4 is a right side, bottom and back view thereof;
FIG. 5 is a front view thereof; and,
FIG. 6 is a back view thereof.
The broken lines depict portions of the woody cork holder that form no part of the claimed design.

1 Claim, 6 Drawing Sheets



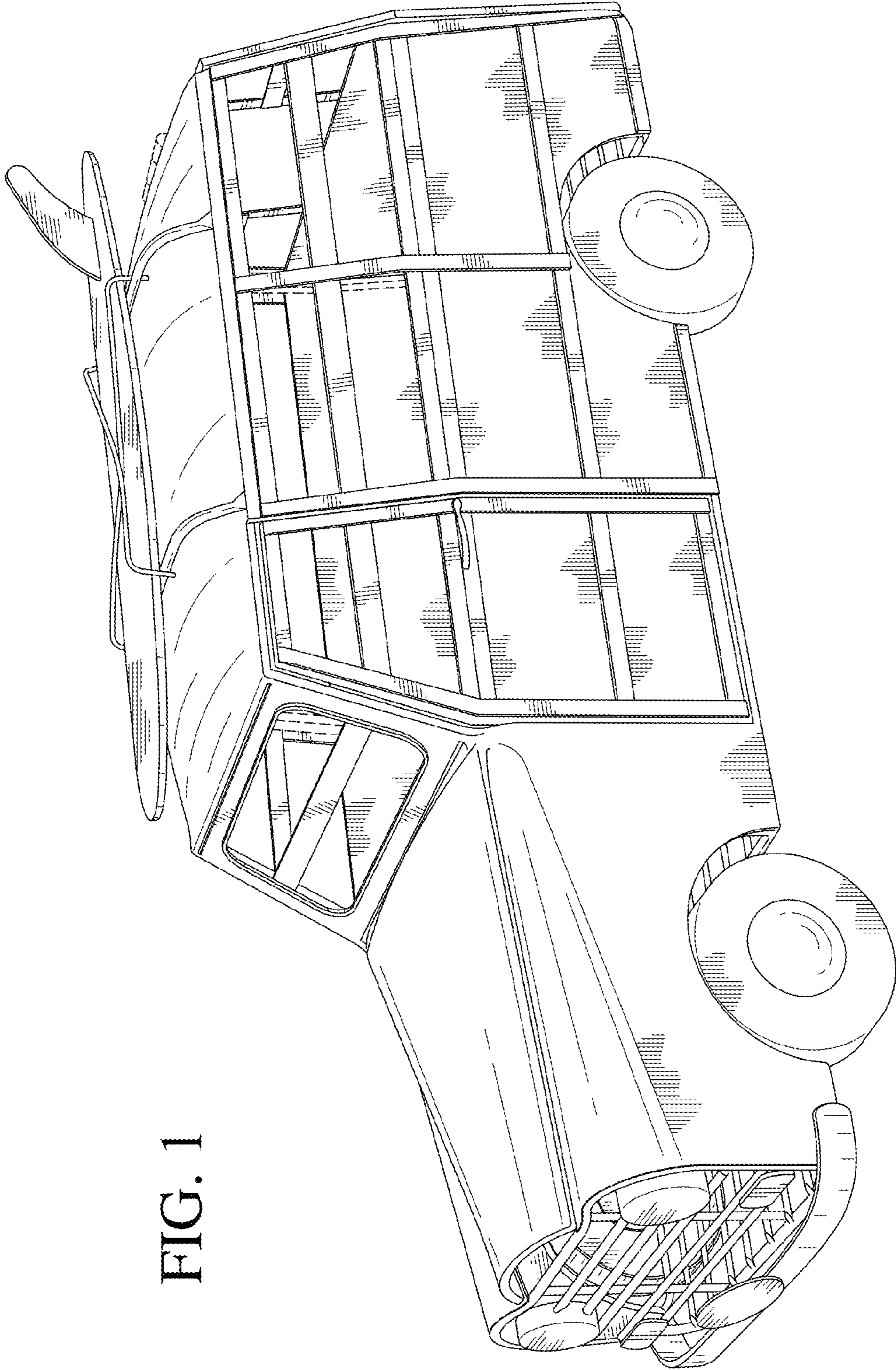


FIG. 1

FIG. 2

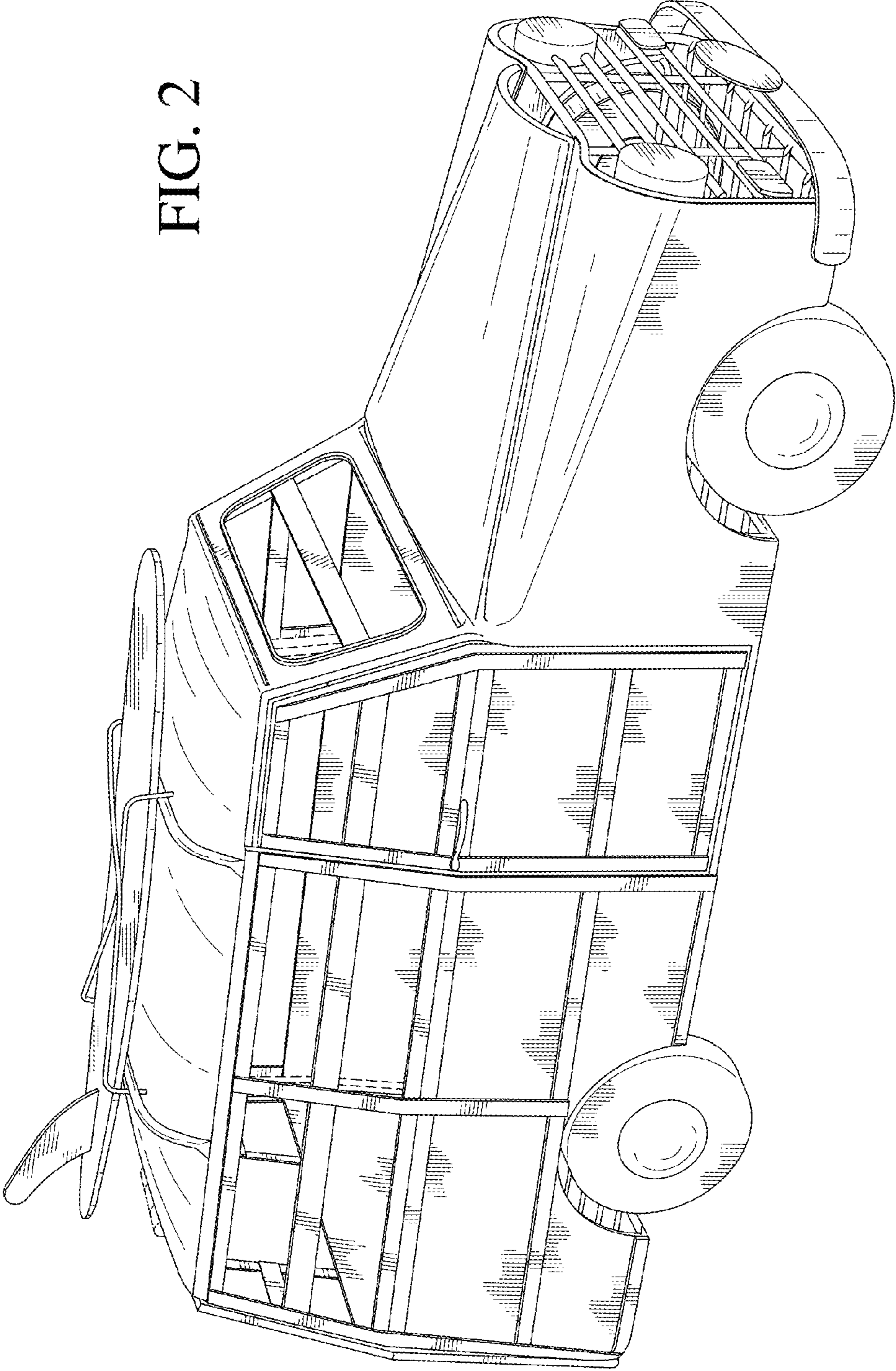
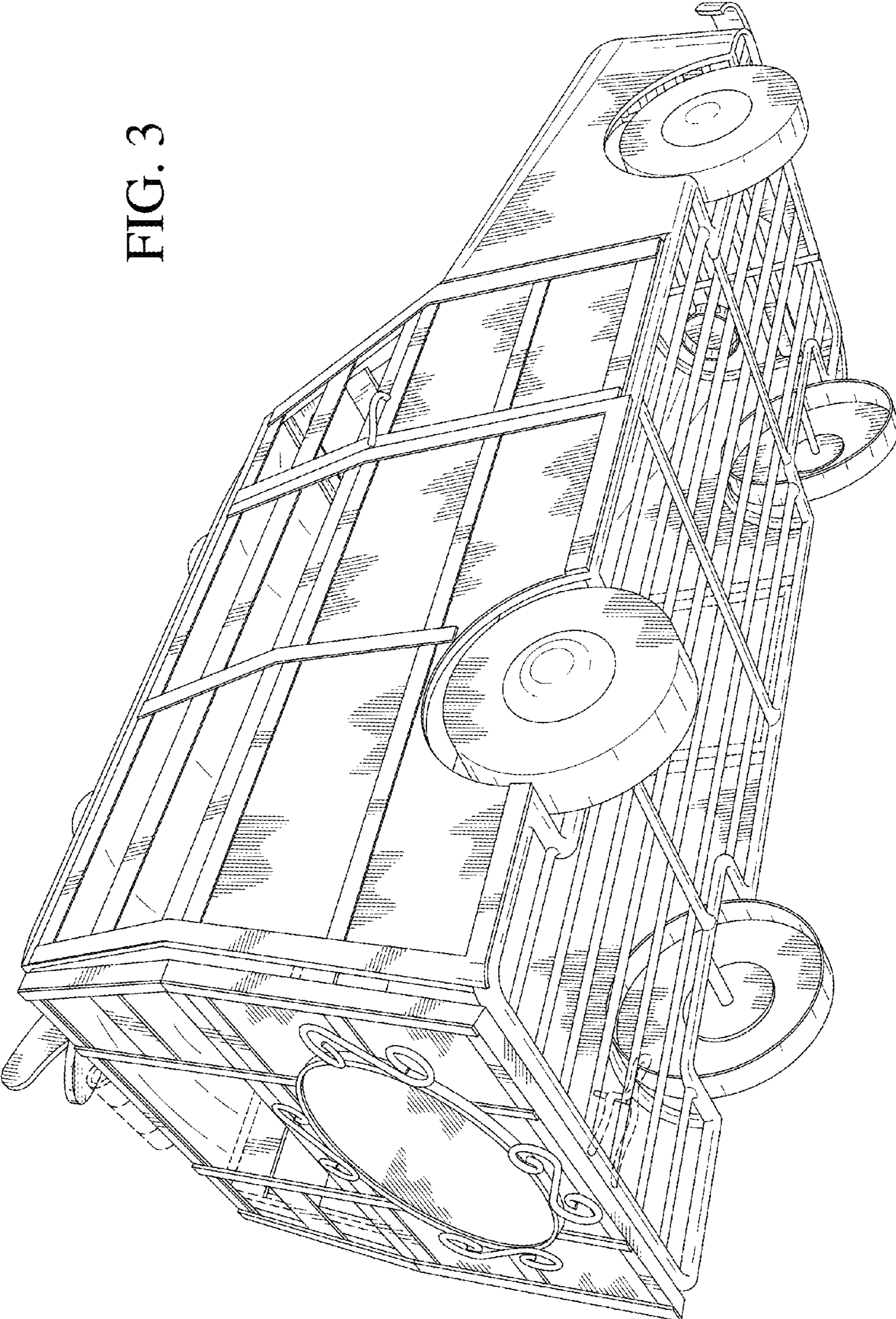


FIG. 3



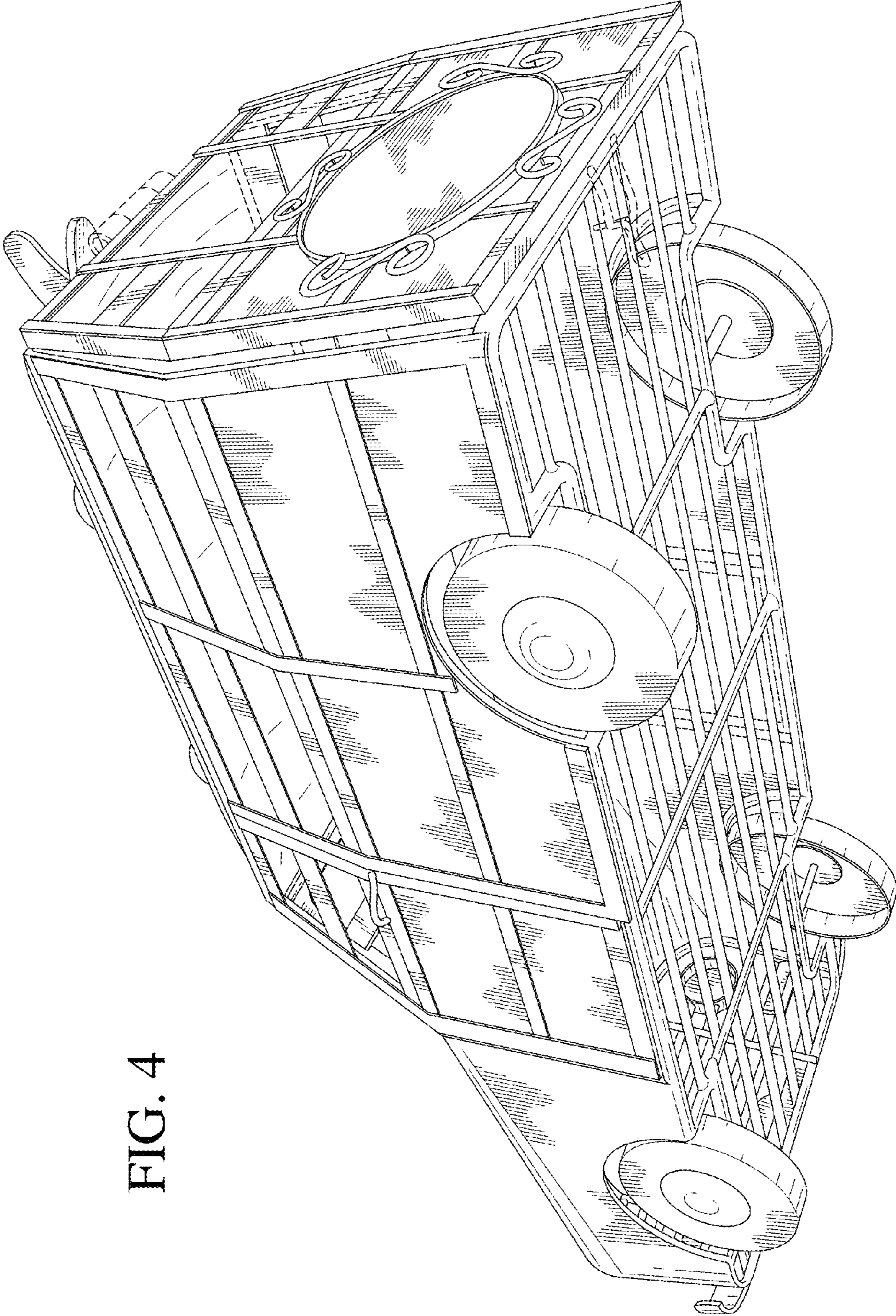


FIG. 4

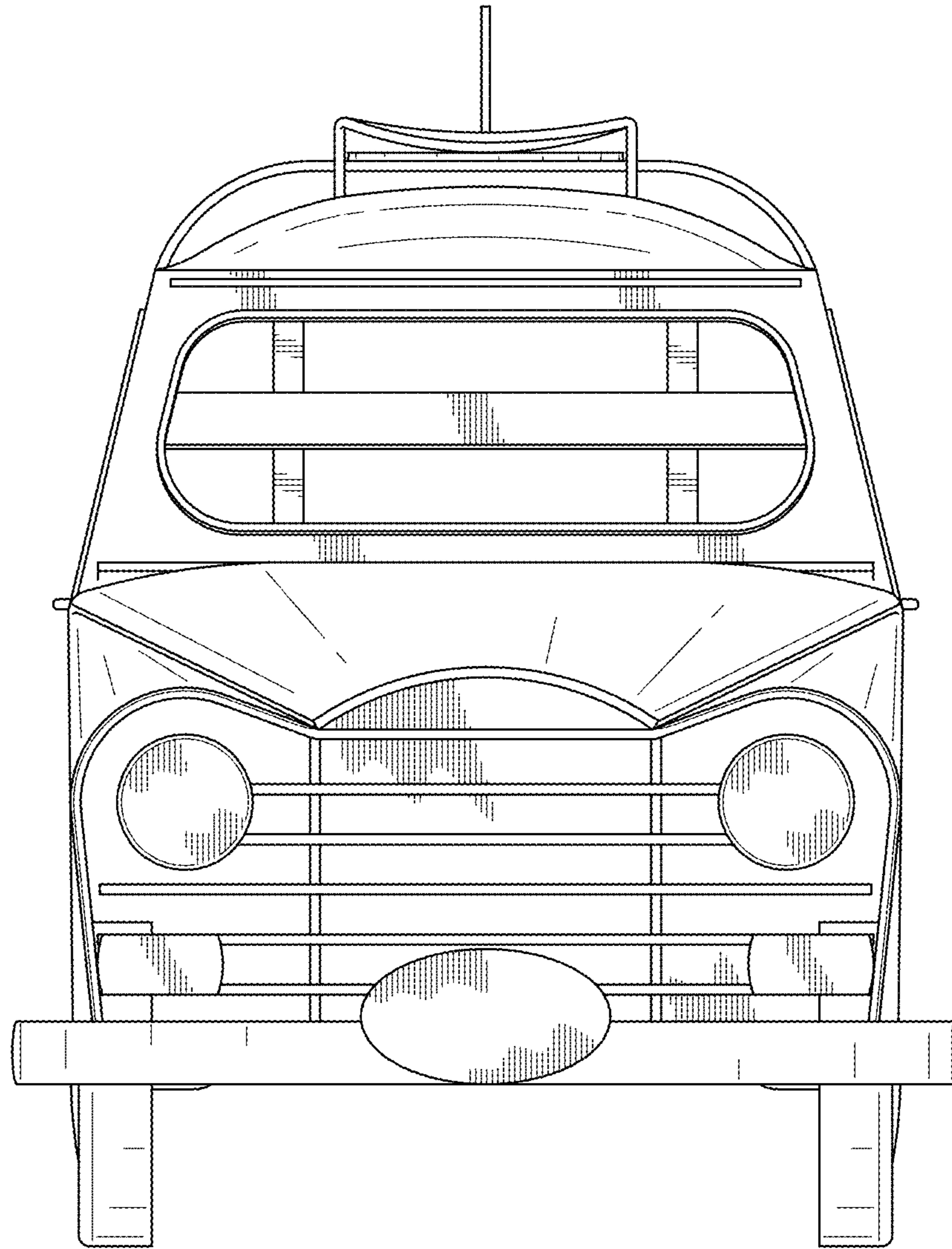


FIG. 5

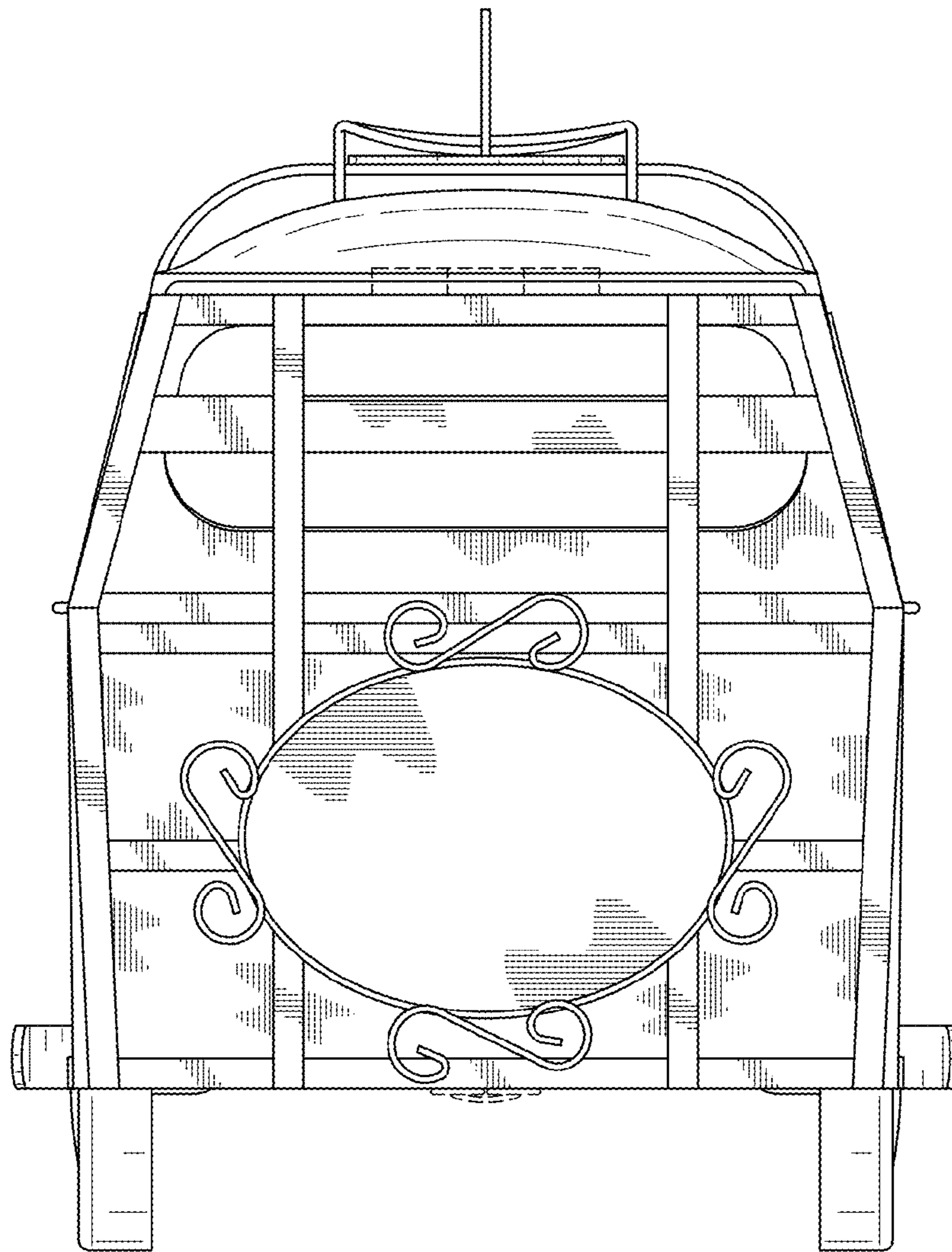


FIG. 6