



US00D682145S

(12) **United States Design Patent**  
**Haase**

(10) **Patent No.:** **US D682,145 S**

(45) **Date of Patent:** **\*\* May 14, 2013**

(54) **HOLIDAY STOCKING STAND**

(76) Inventor: **Shawn Paul Haase**, Brighton, CO (US)

(\*\*) Term: **14 Years**

(21) Appl. No.: **29/419,003**

(22) Filed: **Apr. 24, 2012**

(51) **LOC (9) Cl.** ..... **11-04**

(52) **U.S. Cl.**  
USPC ..... **D11/117**

(58) **Field of Classification Search** ..... D11/117,  
D11/121, 125, 126, 130, 131, 157, 164; 428/7,  
428/8, 9, 12; D6/315, 316, 317, 318, 319,  
D6/322, 324, 329, 410, 411, 412

See application file for complete search history.

(56) **References Cited**

**U.S. PATENT DOCUMENTS**

896,990	A *	8/1908	Hill	.....	248/125.3
D464,159	S *	10/2002	Peloquin	.....	D26/67
6,568,546	B1 *	5/2003	Huang	.....	211/205
D482,960	S *	12/2003	Fok	.....	D9/643
D509,041	S *	9/2005	Larkin	.....	D1/101
D565,912	S *	4/2008	Diekmann et al.	.....	D8/1
D571,687	S *	6/2008	Spencer	.....	D11/130
D585,326	S *	1/2009	Donaldson	.....	D11/130

D640,952	S *	7/2011	Rasmussen	.....	D11/125
8,020,716	B2 *	9/2011	Vitale	.....	211/197
D654,706	S *	2/2012	Kacines	.....	D6/323
D661,911	S *	6/2012	Kacines	.....	D6/323
2003/0089830	A1 *	5/2003	Loughman	.....	248/125.7
2005/0247837	A1 *	11/2005	Spencer	.....	248/218.4

\* cited by examiner

*Primary Examiner* — Elizabeth J Oswecki

(74) *Attorney, Agent, or Firm* — Patent Law Offices of Rick Martin, P.C.

(57) **CLAIM**

The ornamental design for a holiday stocking stand, as shown and described.

**DESCRIPTION**

FIG. 1 is a side perspective view of a holiday stocking stand showing my new design;  
 FIG. 2 is a front elevation view thereof;  
 FIG. 3 is a rear elevation view thereof;  
 FIG. 4 is a left side elevation view thereof, wherein the right side elevation view is a mirror image thereof;  
 FIG. 5 is a top plan view thereof;  
 FIG. 6 is a bottom plan view thereof; and,  
 FIG. 7 is a bottom perspective view thereof.

**1 Claim, 4 Drawing Sheets**

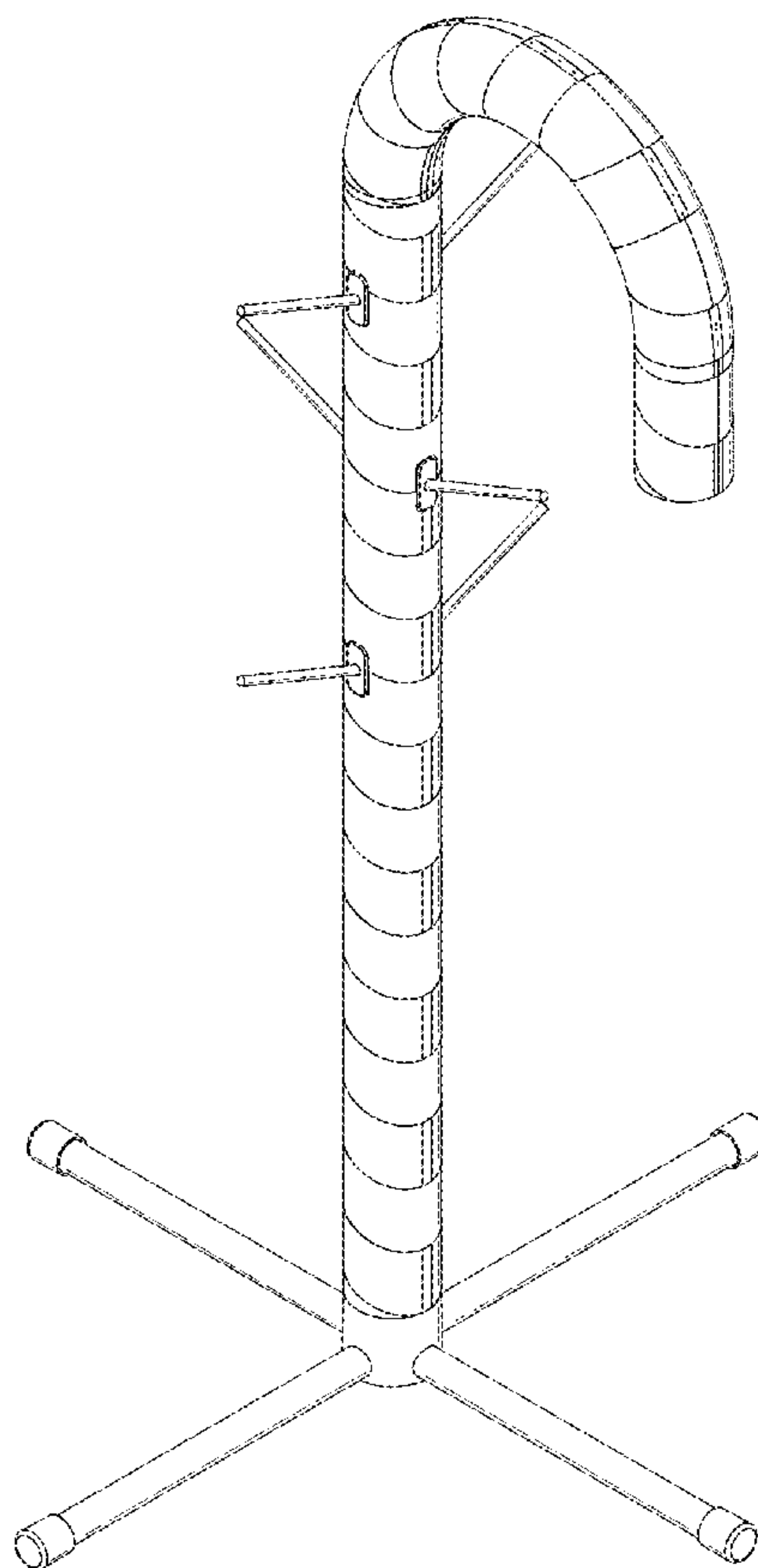
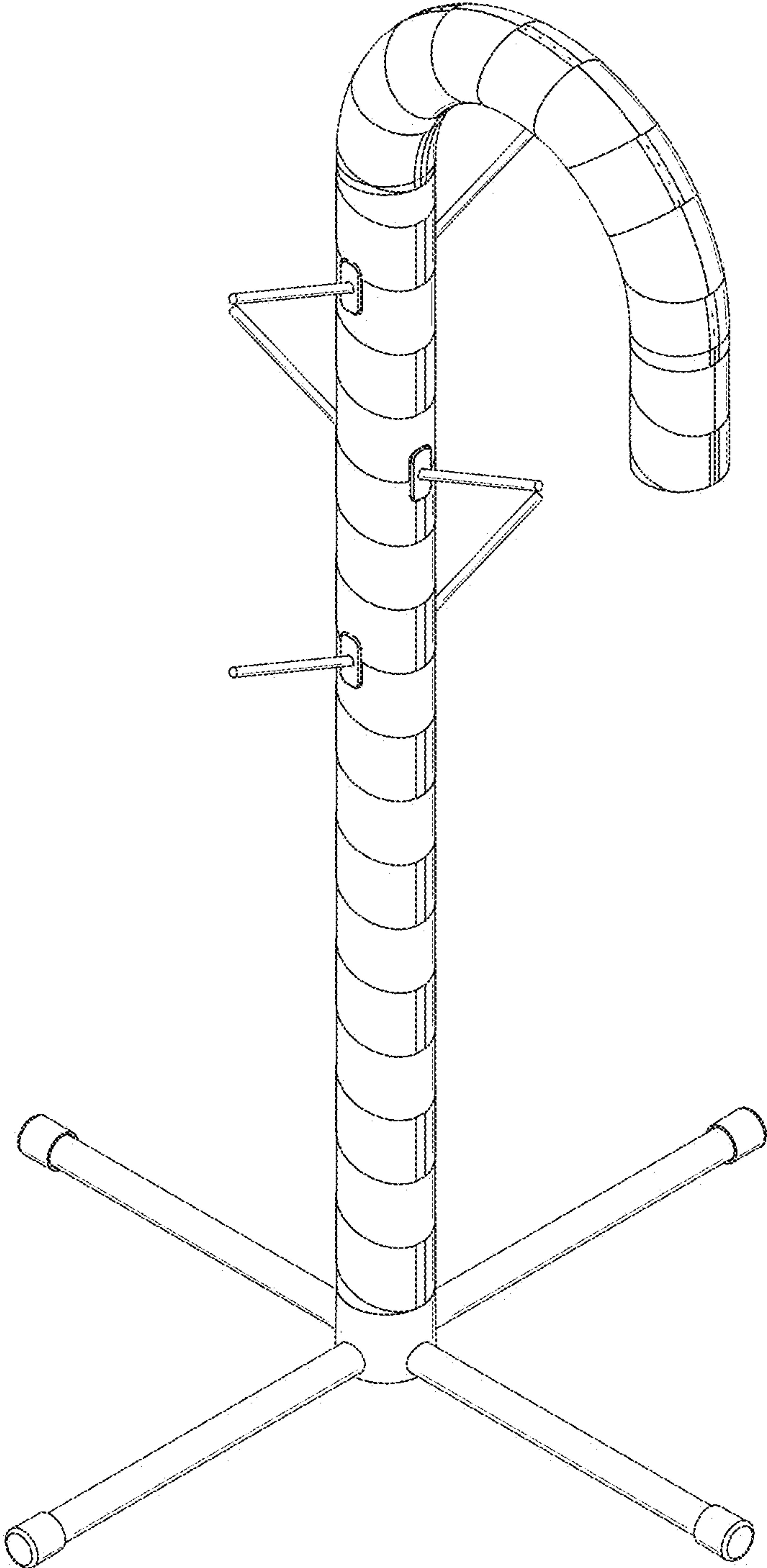


Fig 1



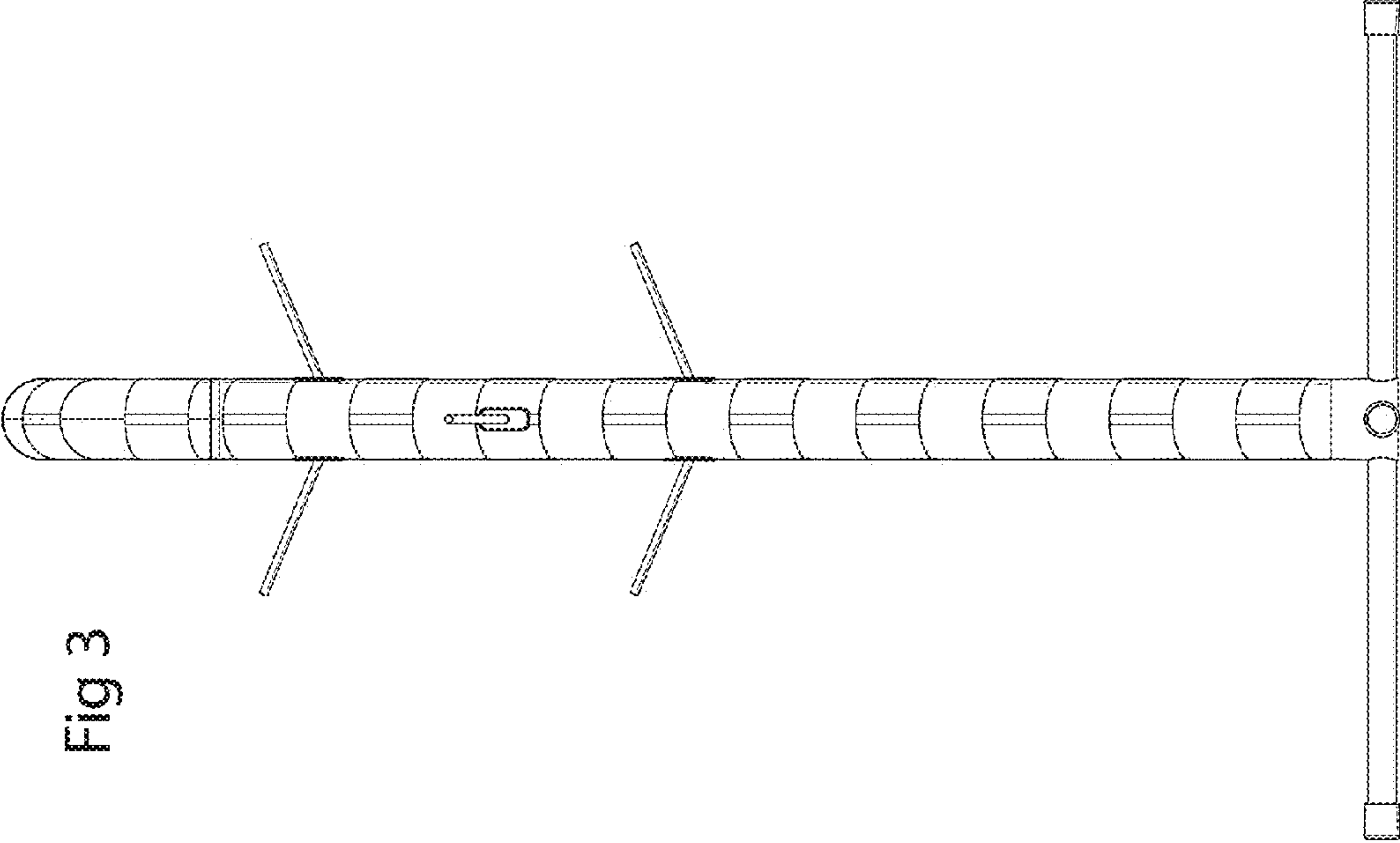


Fig 3

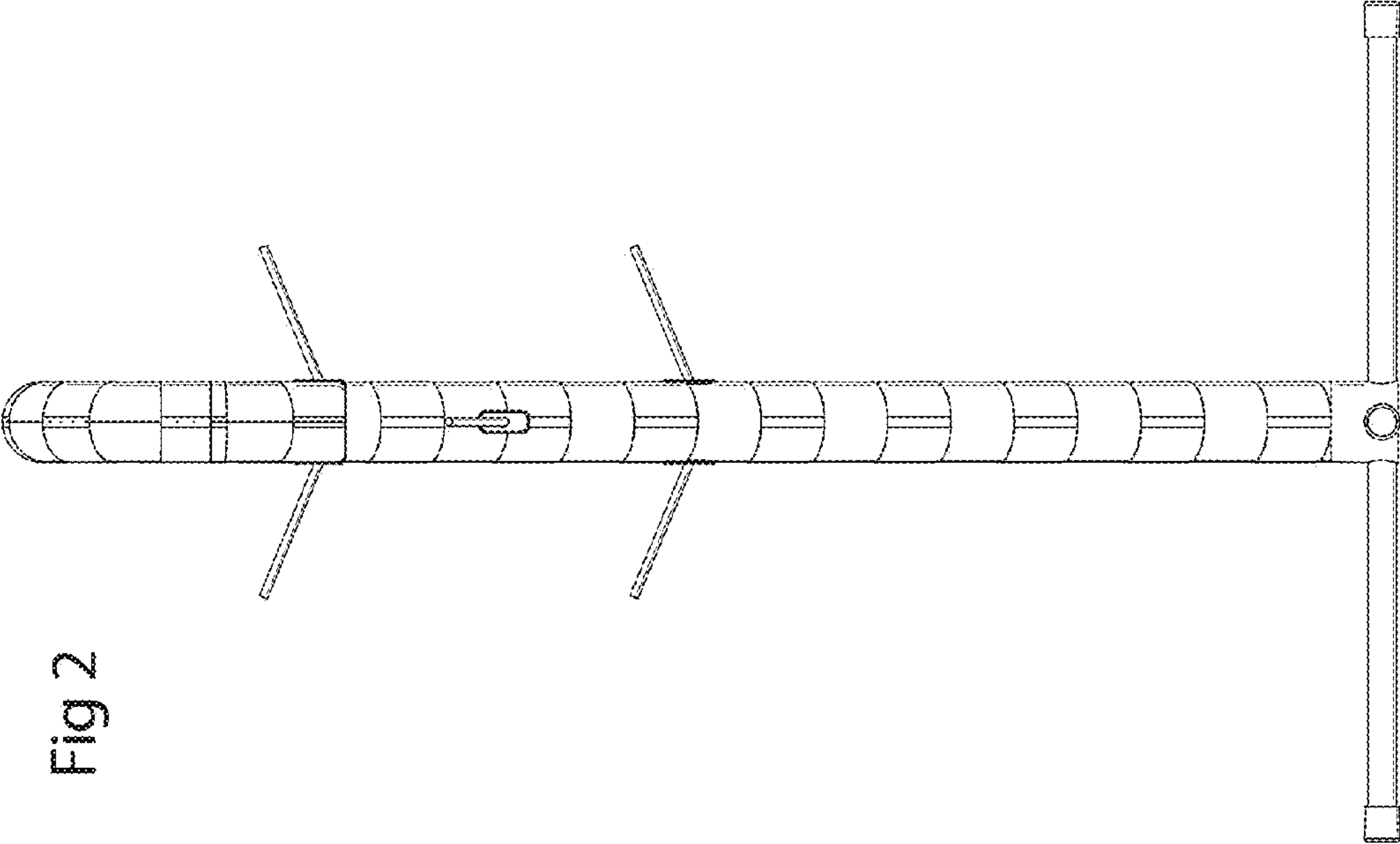


Fig 2

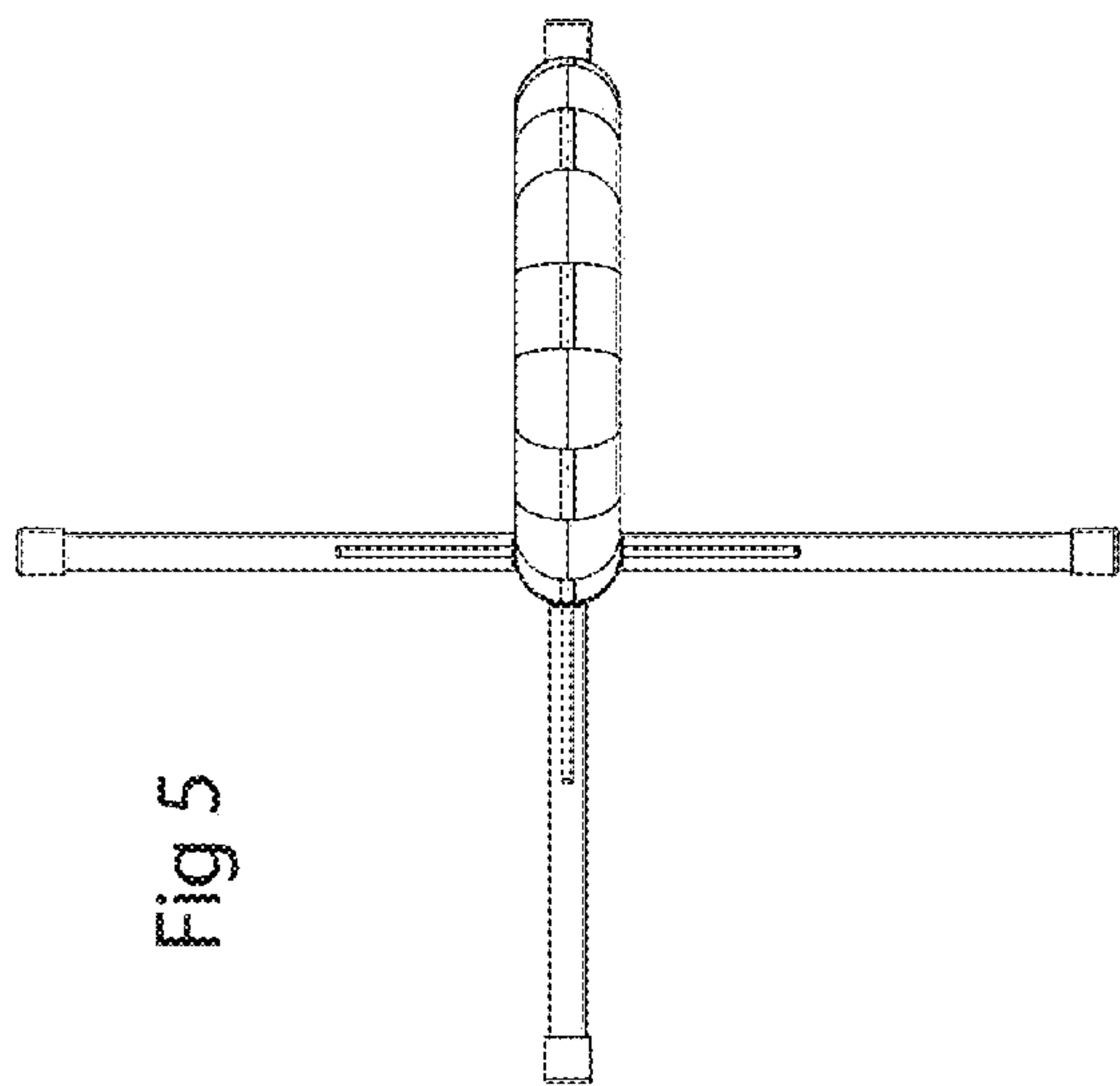


Fig 5

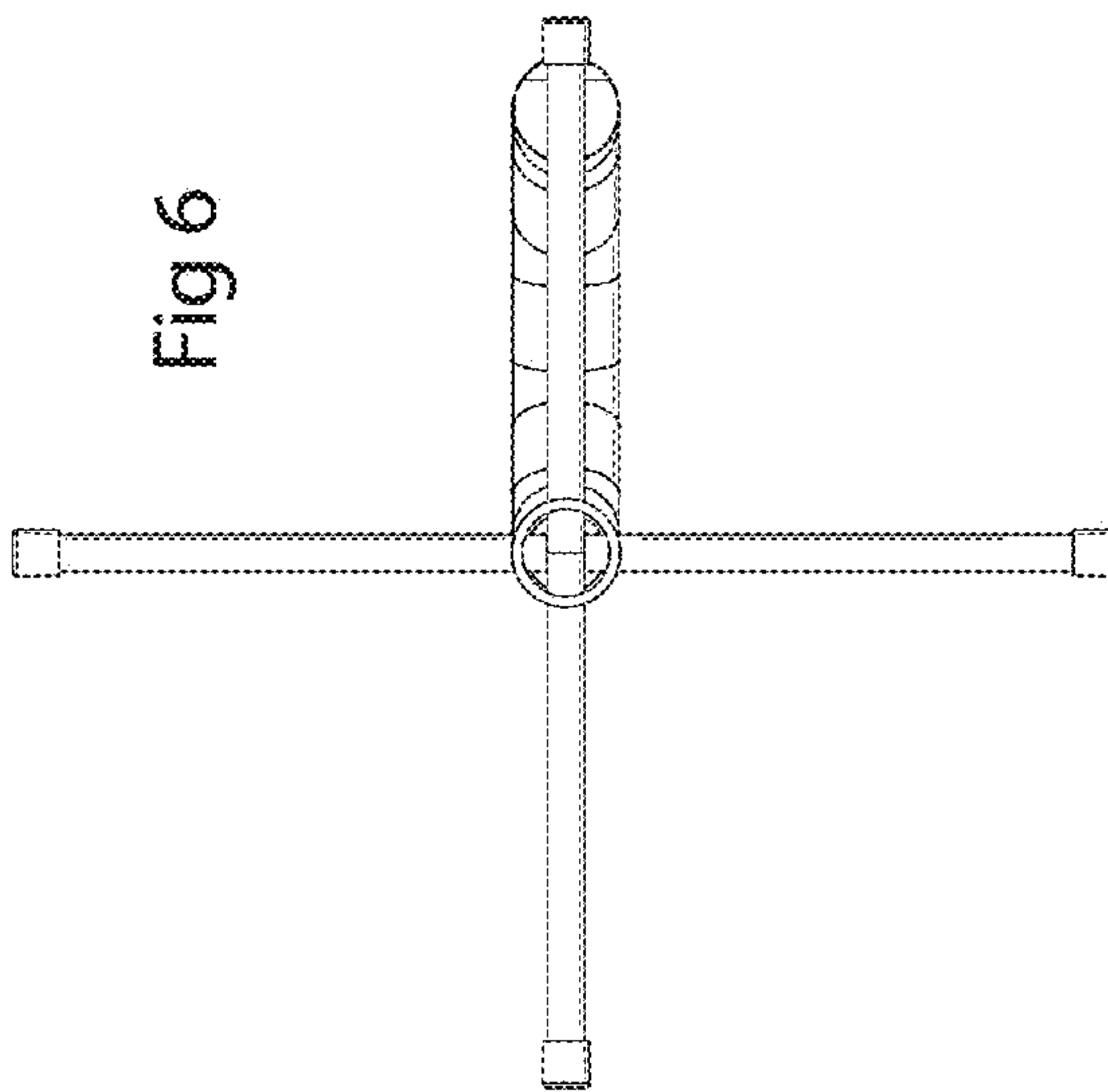


Fig 6

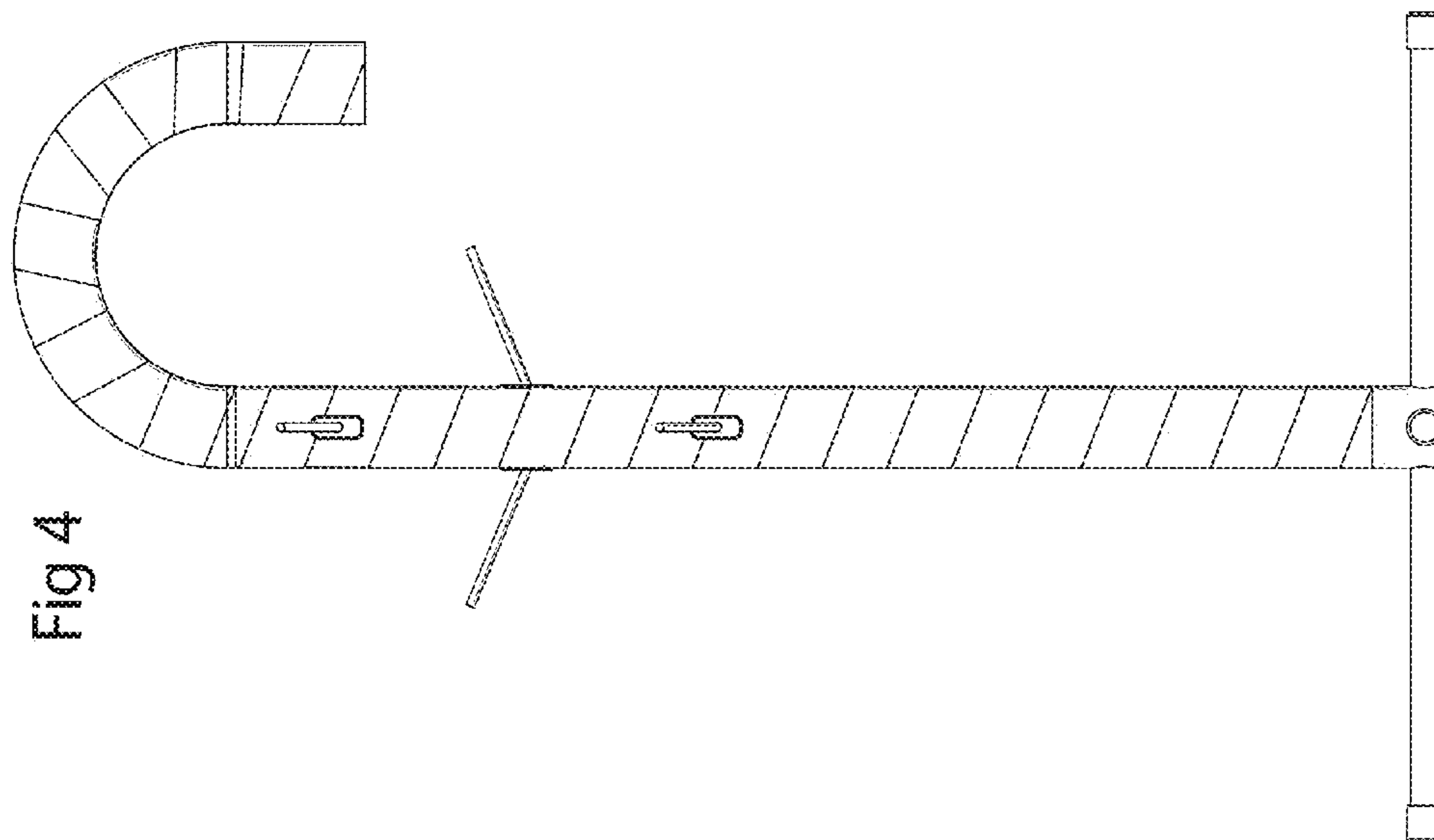


Fig 4

Fig 7

