



US00D682135S

(12) **United States Design Patent**
Grote, Jr. et al.

(10) **Patent No.:** **US D682,135 S**

(45) **Date of Patent:** **** May 14, 2013**

(54) **LIGHT BAR**

(75) Inventors: **William F. Grote, Jr.**, Deep River, CT (US); **Jon H. Lyons**, Haddam, CT (US)

(73) Assignee: **Whelen Engineering Company, Inc.**, Chester, CT (US)

(**) Term: **14 Years**

(21) Appl. No.: **29/432,277**

(22) Filed: **Sep. 14, 2012**

(51) **LOC (9) Cl.** **10-05**

(52) **U.S. Cl.**
USPC **D10/114.4**

(58) **Field of Classification Search** ... D10/114.1-114.5;
D26/72, 85, 76; 362/263, 157, 171-174,
362/183-208, 217.01-217.09, 158; 315/224
See application file for complete search history.

(56) **References Cited**

U.S. PATENT DOCUMENTS

- D595,173 S * 6/2009 Shin D10/114.4
- D632,199 S * 2/2011 Jacobs et al. D10/114.4
- D658,526 S * 5/2012 Shin D10/114.4

* cited by examiner

Primary Examiner — George D Kirschbaum

(74) *Attorney, Agent, or Firm* — Alix, Yale & Ristas, LLP

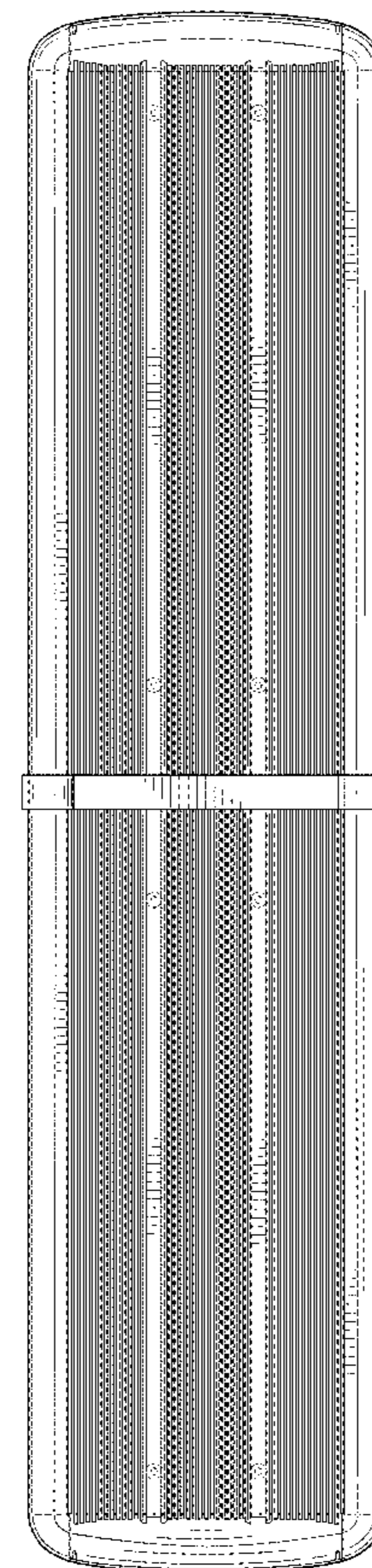
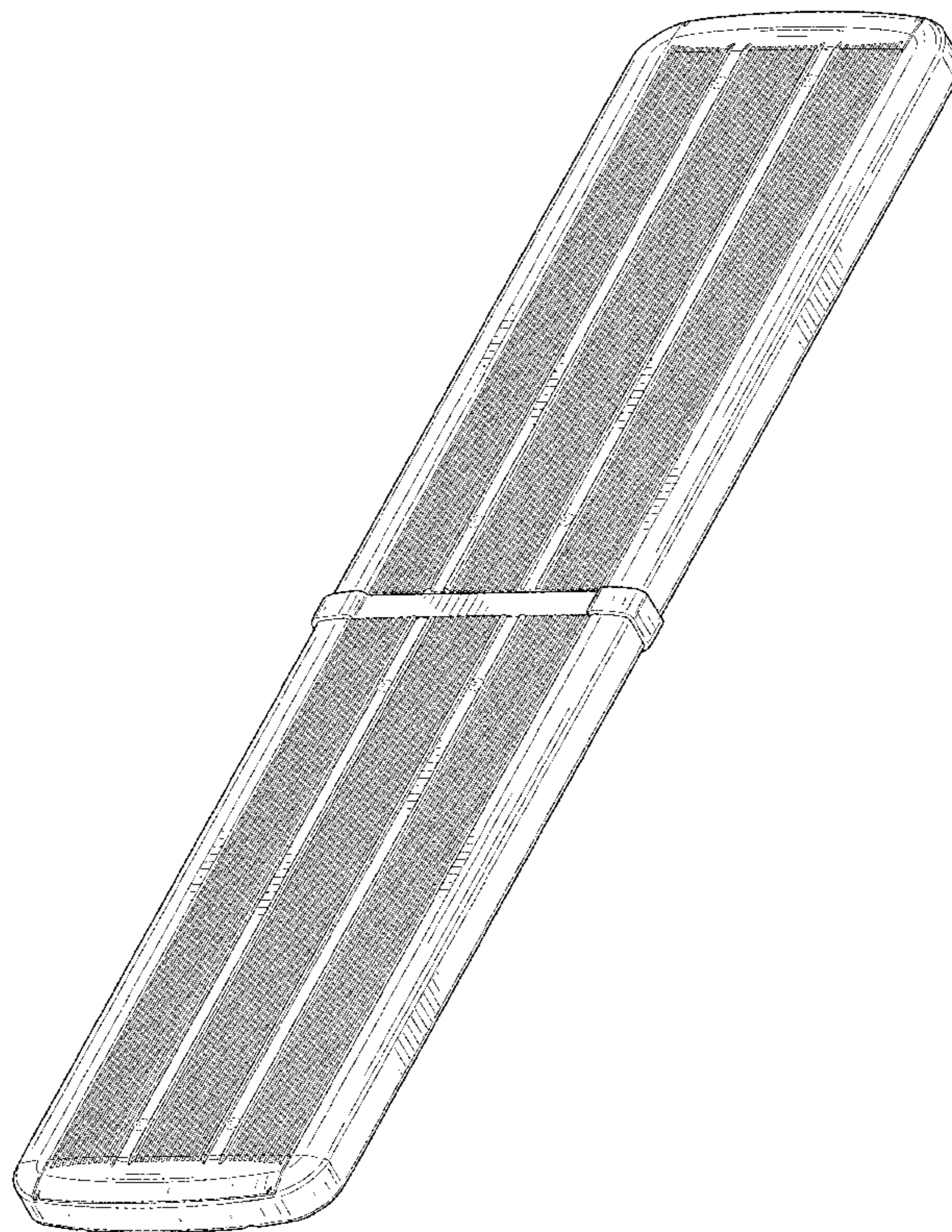
(57) **CLAIM**

The ornamental design for the light bar, as shown and described.

DESCRIPTION

FIG. 1 is a top perspective view of one embodiment of our light bar;
 FIG. 2 is a top plan view of the light bar of FIG. 1;
 FIG. 3 is a front view of the light bar of FIG. 1, the opposite rear view being identical;
 FIG. 4 is a left side view of the light bar of FIG. 1, the opposite right side view being identical;
 FIG. 5 is a bottom plan view of the light bar of FIG. 1;
 FIG. 6 is a top perspective view of a second embodiment of our light bar;
 FIG. 7 is a top plan view of the light bar of FIG. 6;
 FIG. 8 is a front view of the light bar of FIG. 6, the opposite rear view being identical;
 FIG. 9 is a left side view of the light bar of FIG. 6, the opposite right side view being identical; and,
 FIG. 10 is a bottom plan view of the light bar of FIG. 6.

1 Claim, 8 Drawing Sheets



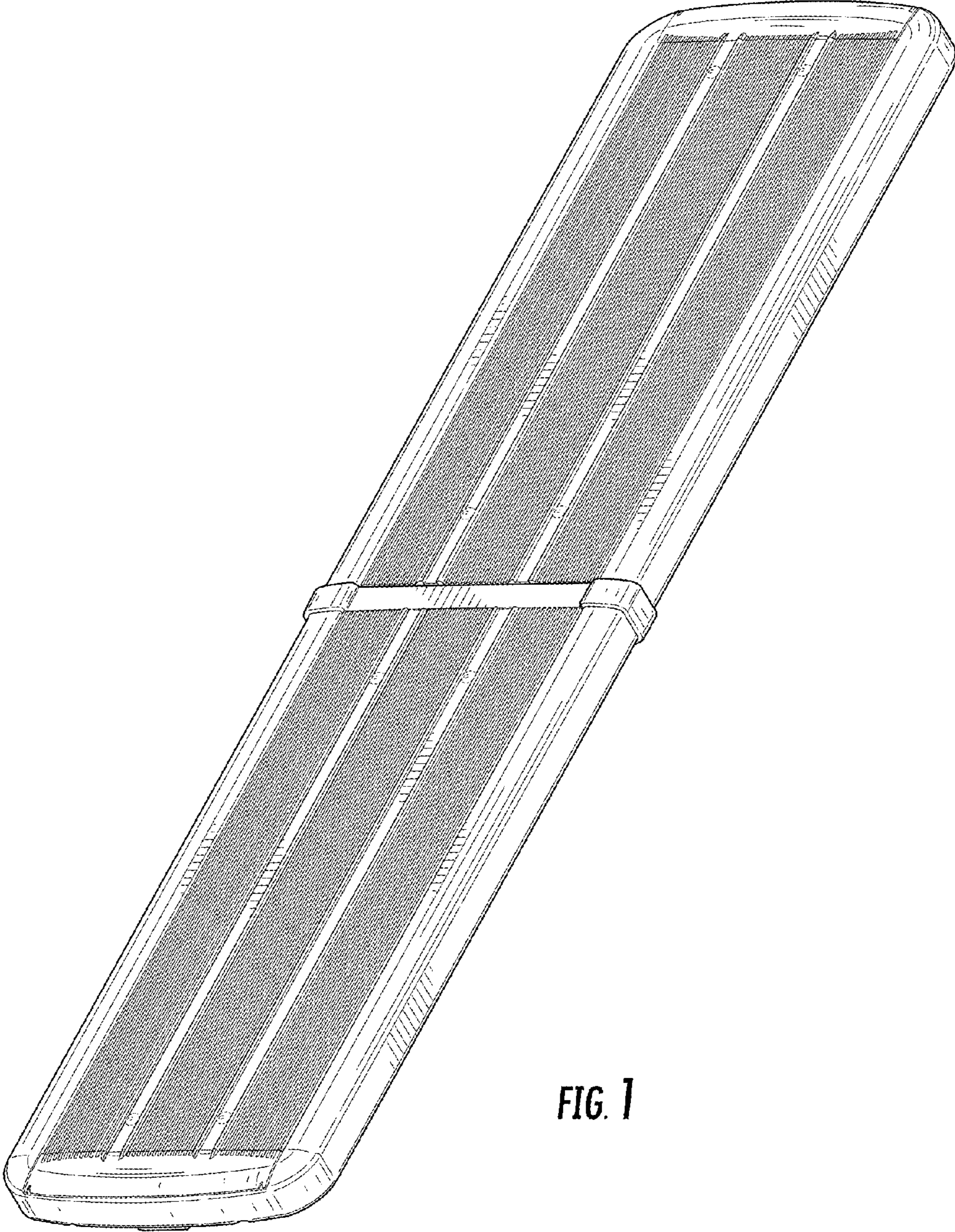


FIG. 1

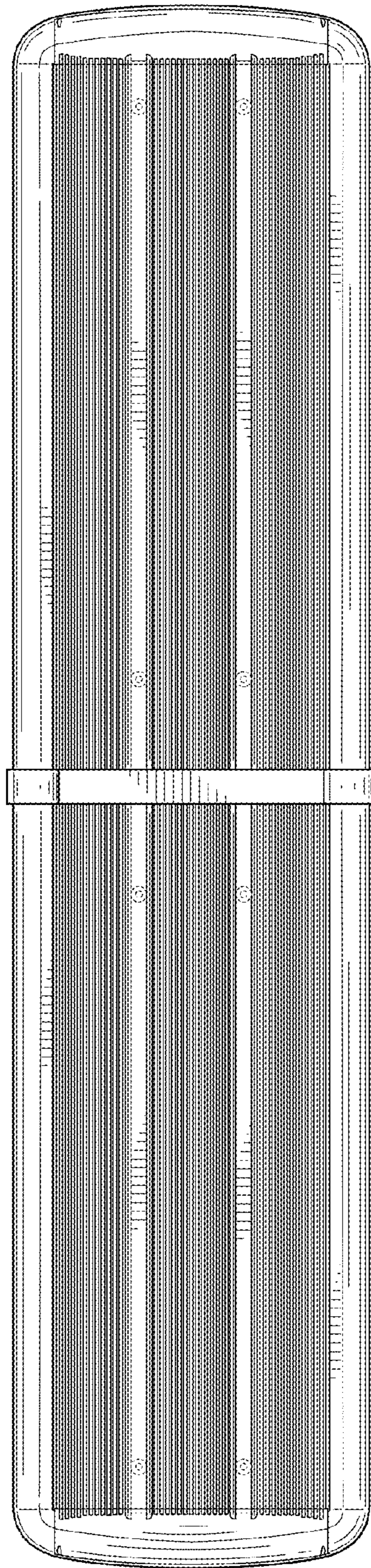


FIG. 2

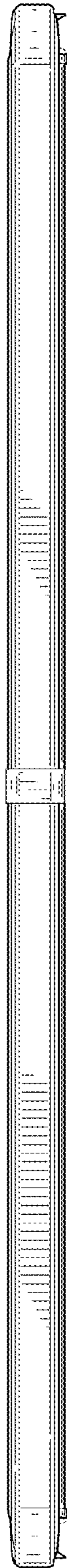


FIG. 3

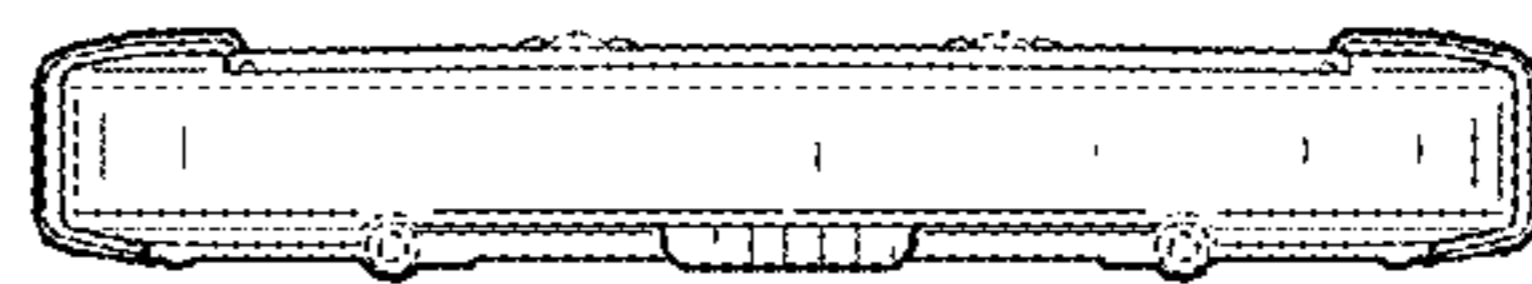


FIG. 4

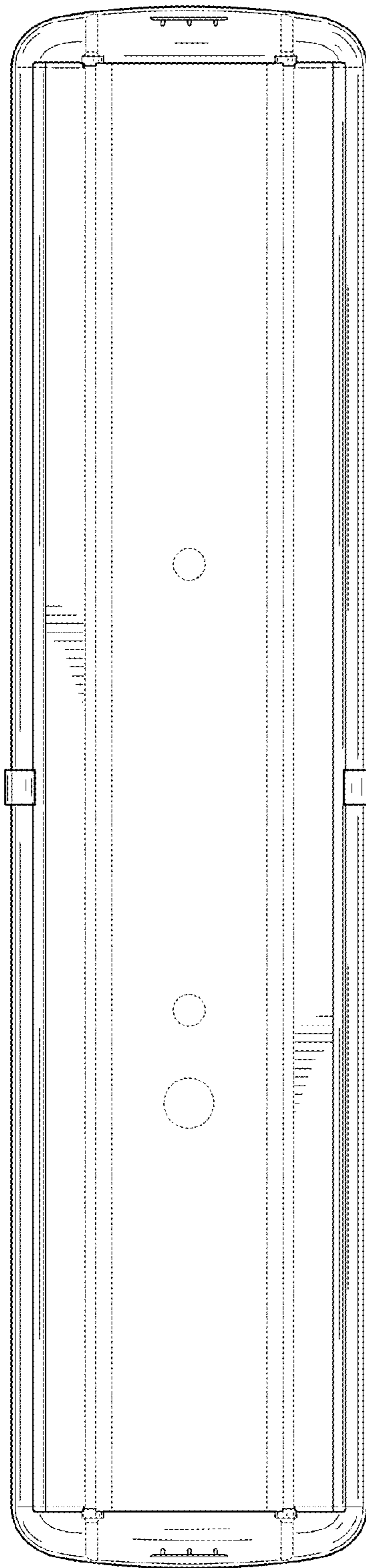


FIG. 5

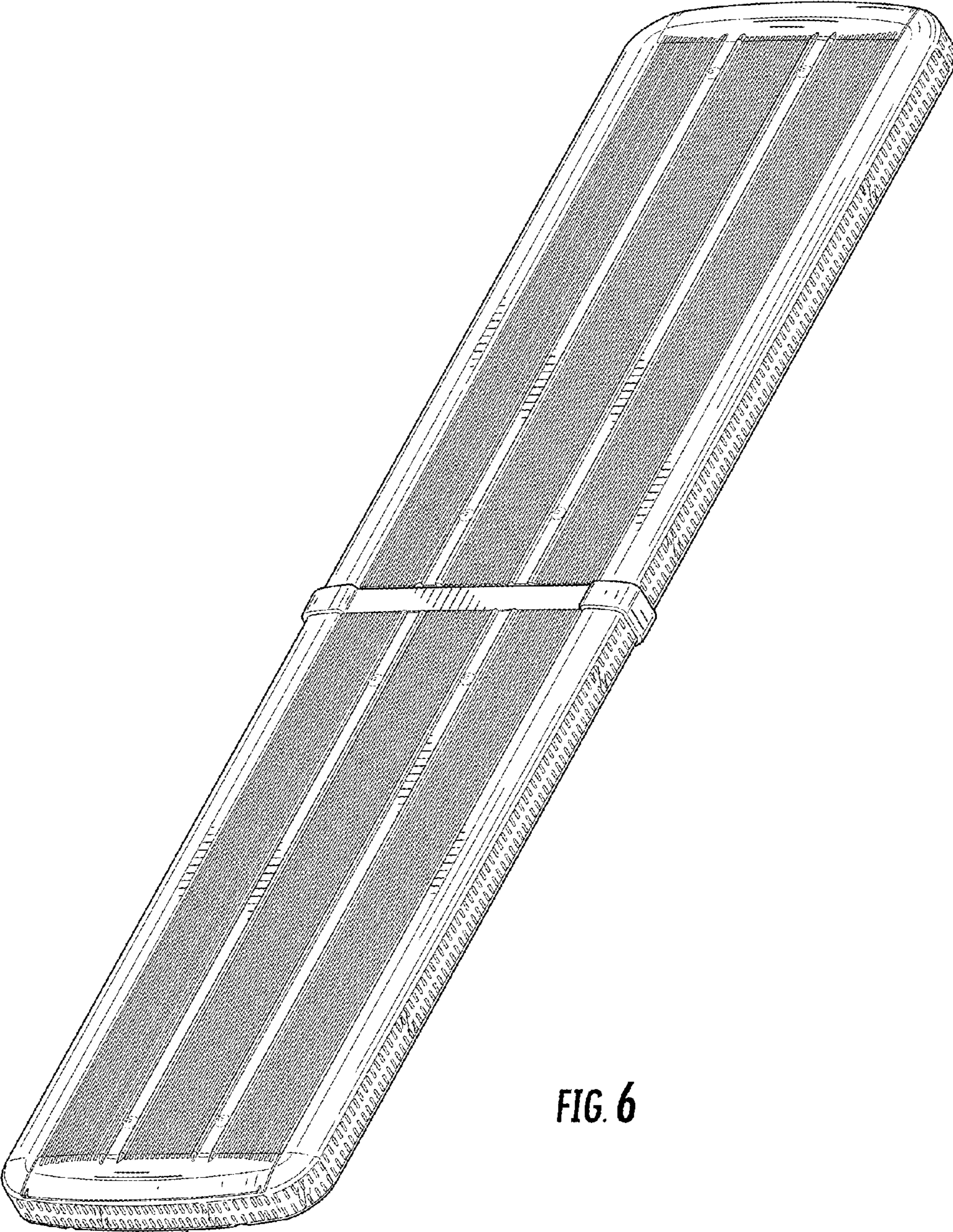


FIG. 6

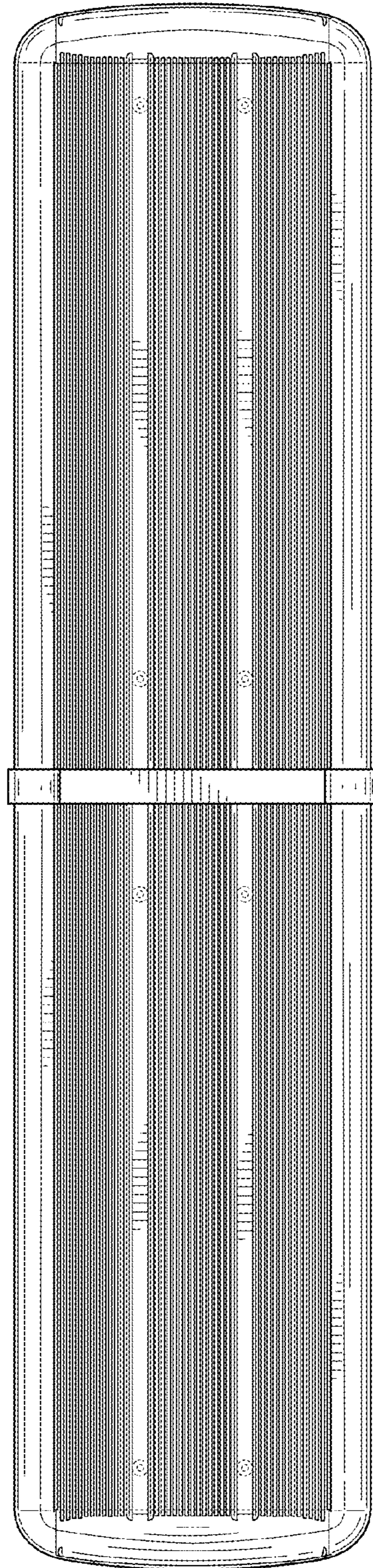


FIG. 7

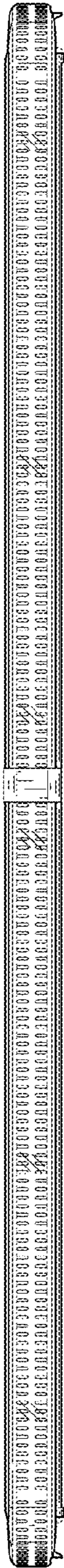


FIG. 8

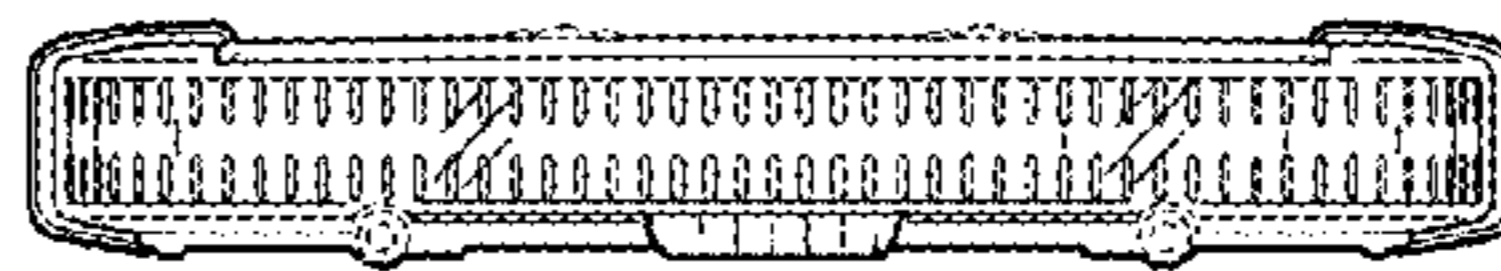


FIG. 9

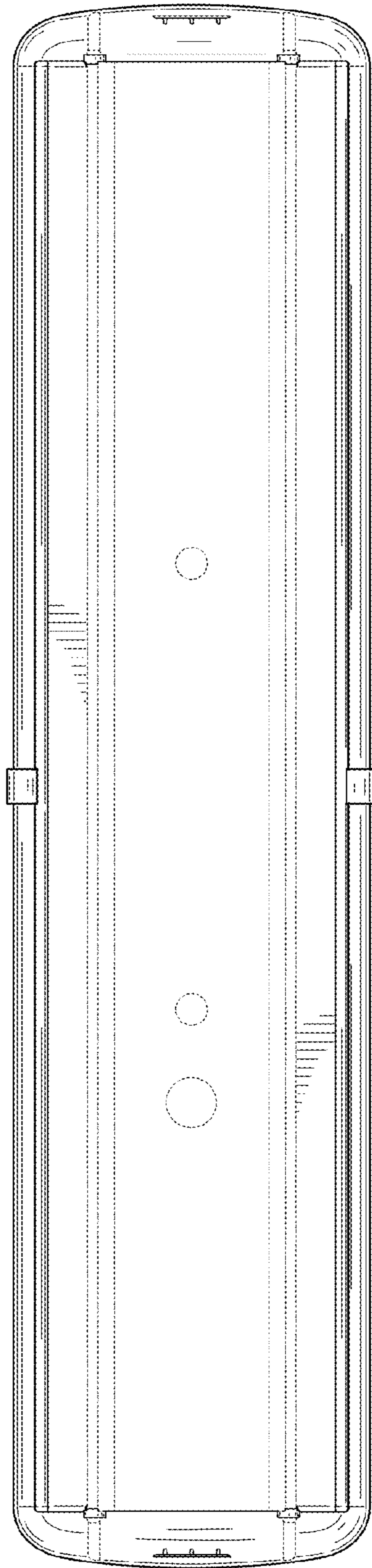


FIG. 10