



US00D682133S

(12) **United States Design Patent**
Chen

(10) **Patent No.:** **US D682,133 S**

(45) **Date of Patent:** **** May 14, 2013**

(54) **LIGHT HEAD**

(75) Inventor: **Cheng Chun Chen**, Tu Cheng Dist.
(TW)

(73) Assignee: **Juluon Enterprises Co., Ltd**, Shulin
District, Xinbei (TW)

(**) Term: **14 Years**

(21) Appl. No.: **29/427,190**

(22) Filed: **Jul. 16, 2012**

(51) **LOC (9) Cl.** **10-05**

(52) **U.S. Cl.**
USPC **D10/114.1**

(58) **Field of Classification Search** ... D10/114.1-114.5;
D26/72, 85; 362/263; 315/224
See application file for complete search history.

(56) **References Cited**

U.S. PATENT DOCUMENTS

D589,835 S * 4/2009 Pokorny D10/114.1
D649,673 S * 11/2011 Liang et al. D26/72

OTHER PUBLICATIONS

Juluon Enterprises Co., Ltd., Specification Sheet for MS3BS, 2010.
Juluon Enterprises Co., Ltd., Specification Sheet for MS6BS, 2010.

* cited by examiner

Primary Examiner — George D Kirschbaum

(74) *Attorney, Agent, or Firm* — King & Schickli, PLLC

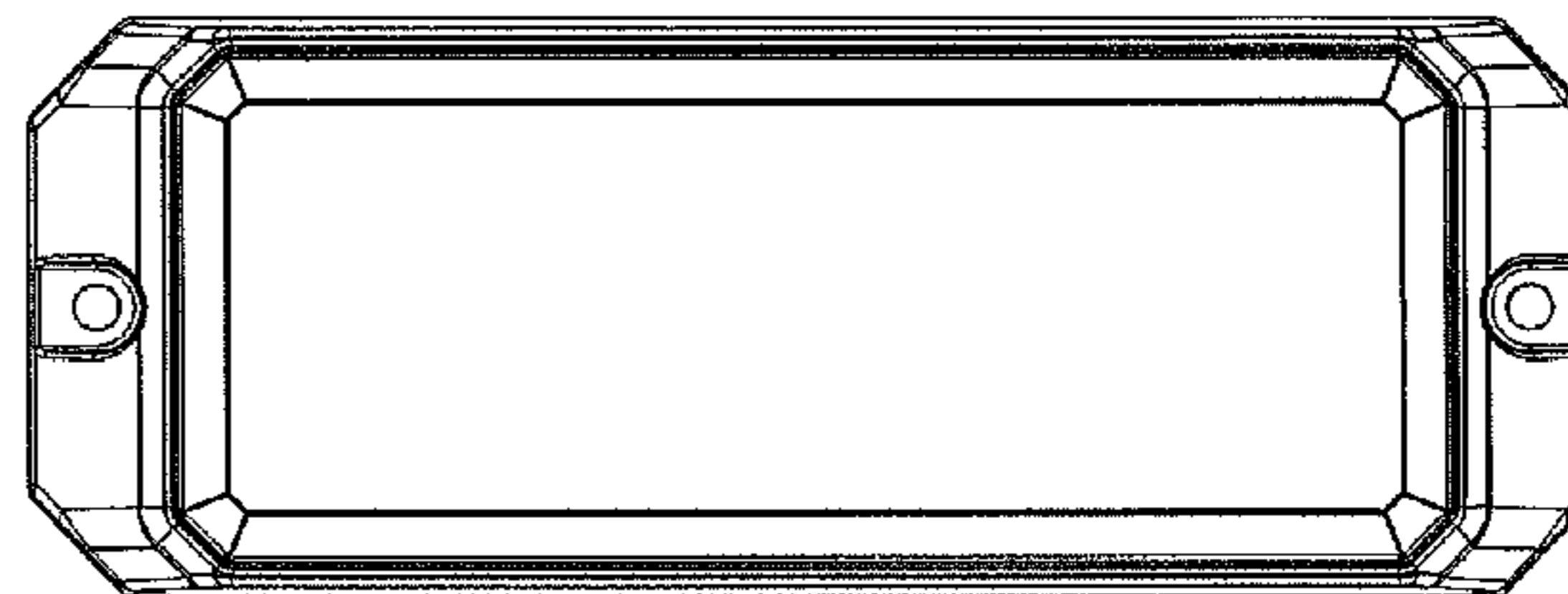
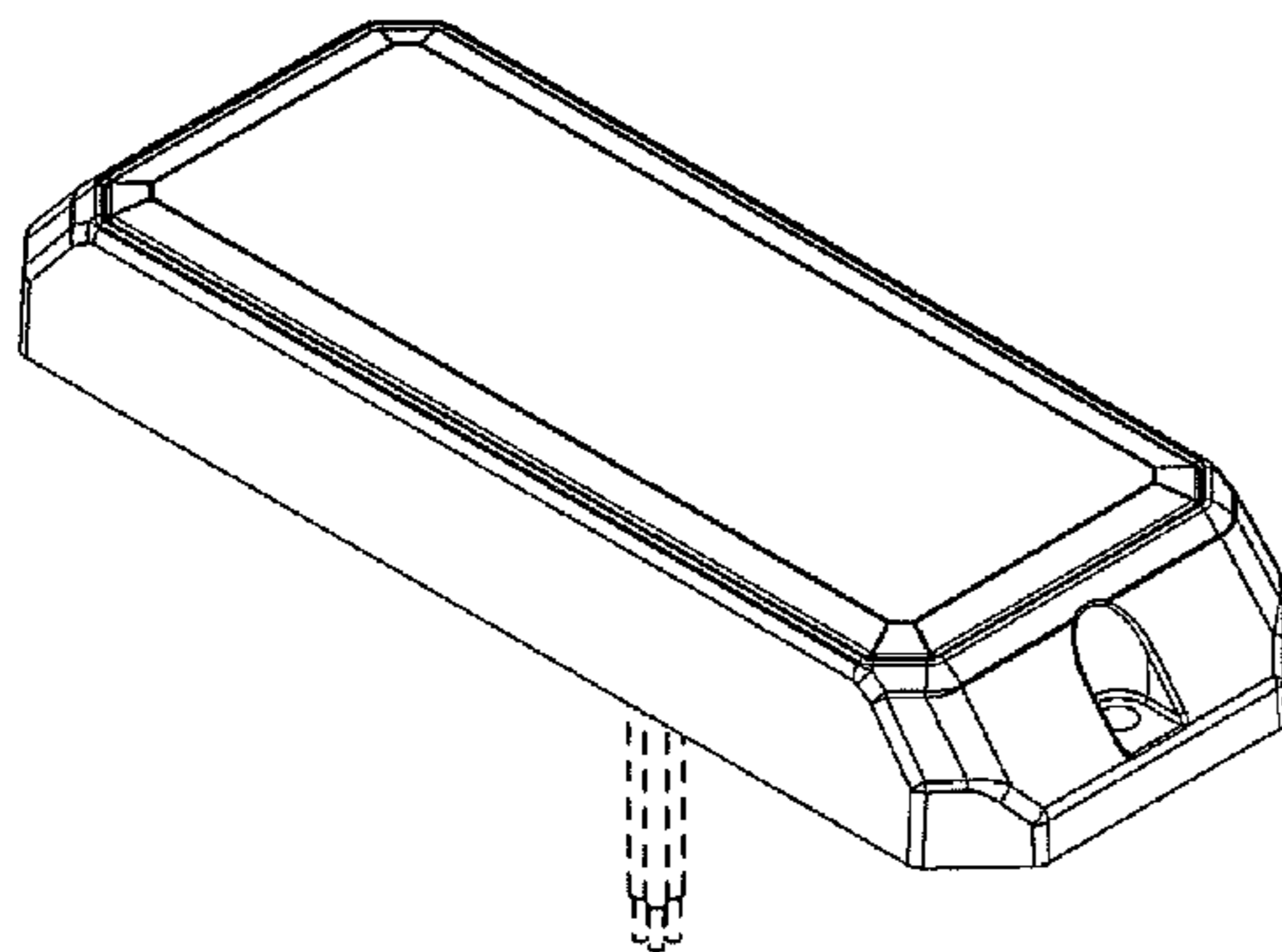
(57) **CLAIM**

The ornamental design of a light head, as shown and described.

DESCRIPTION

FIG. 1 is a perspective view of a light head;
FIG. 2 is a top view of the light head;
FIG. 3 is a front view of the light head, the opposite rear view being identical;
FIG. 4 is a side view of the light head, the opposite side view being identical; and,
FIG. 5 is the bottom view of the light head.
The broken line showing of the mounting bracket and the screws is for the purpose of illustrating environmental structure for the light head and forms no part of the claimed design.

1 Claim, 5 Drawing Sheets



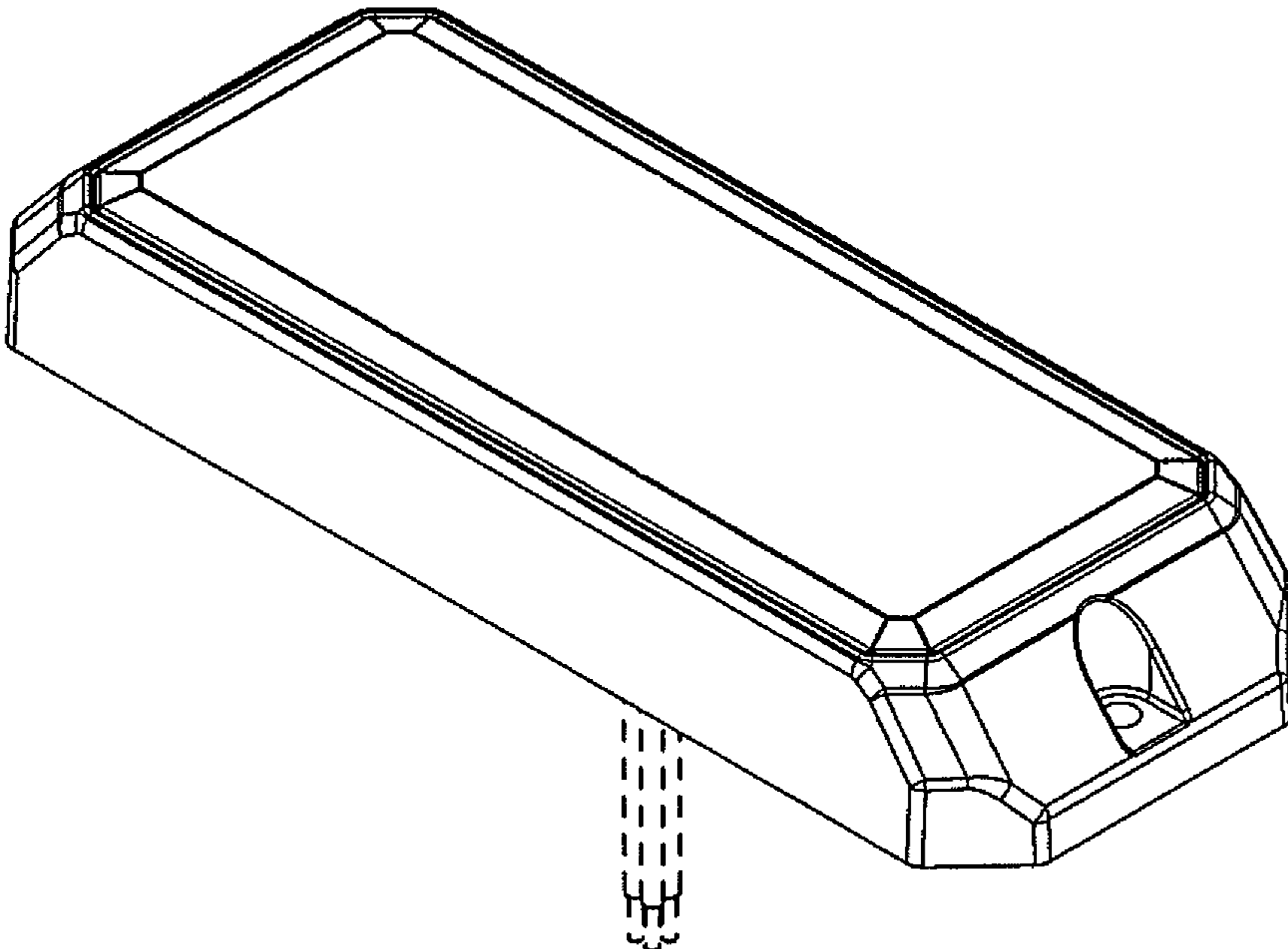


Fig. 1

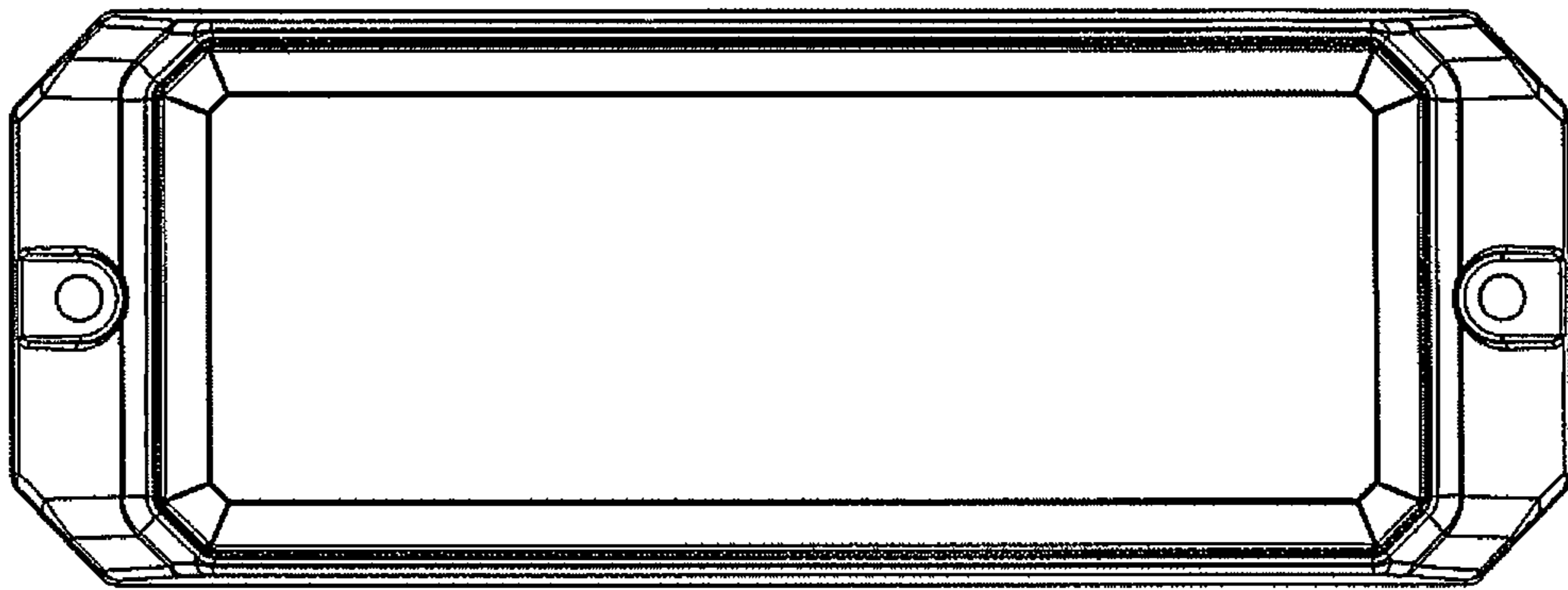


Fig. 2

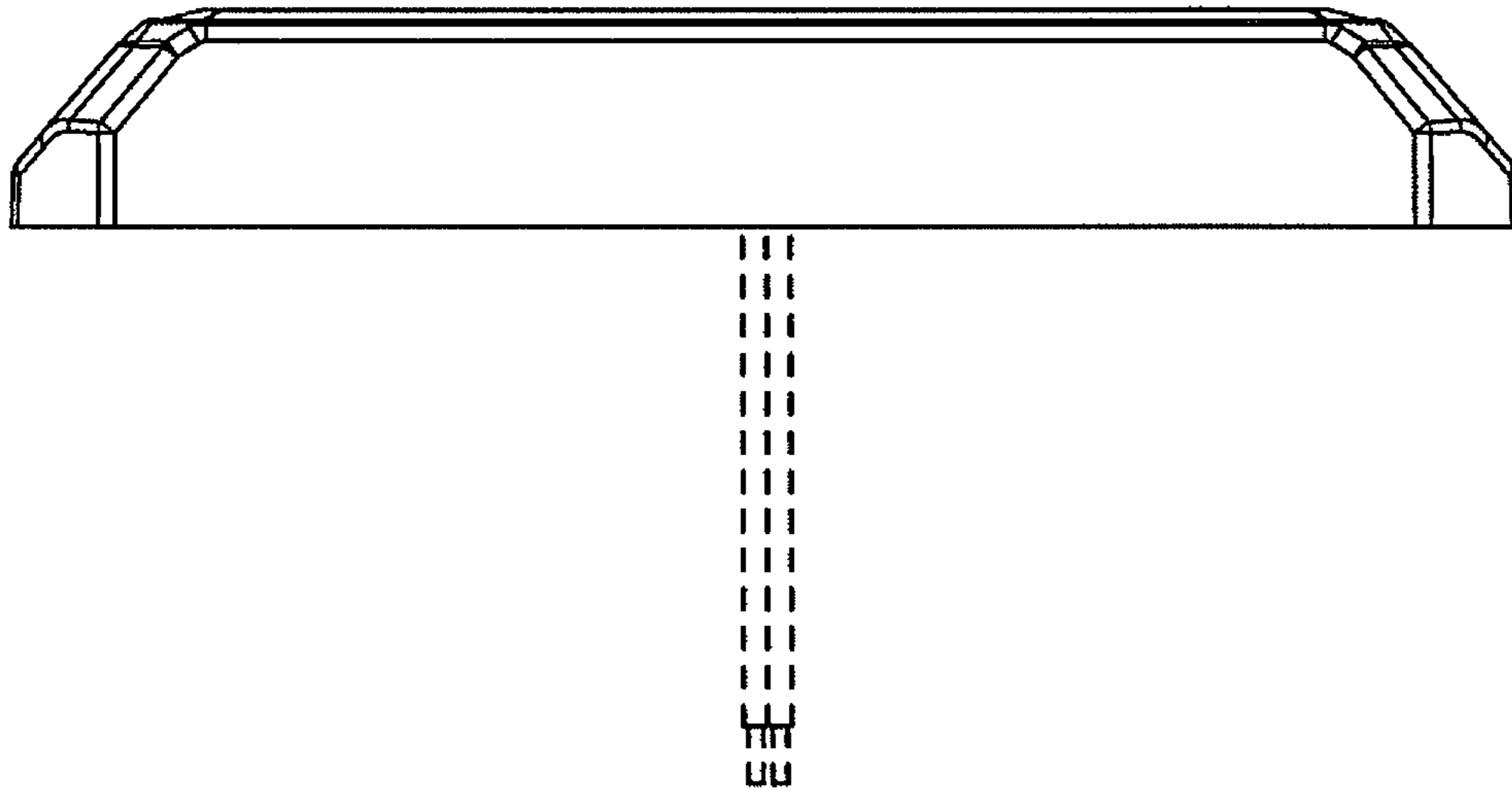


Fig. 3

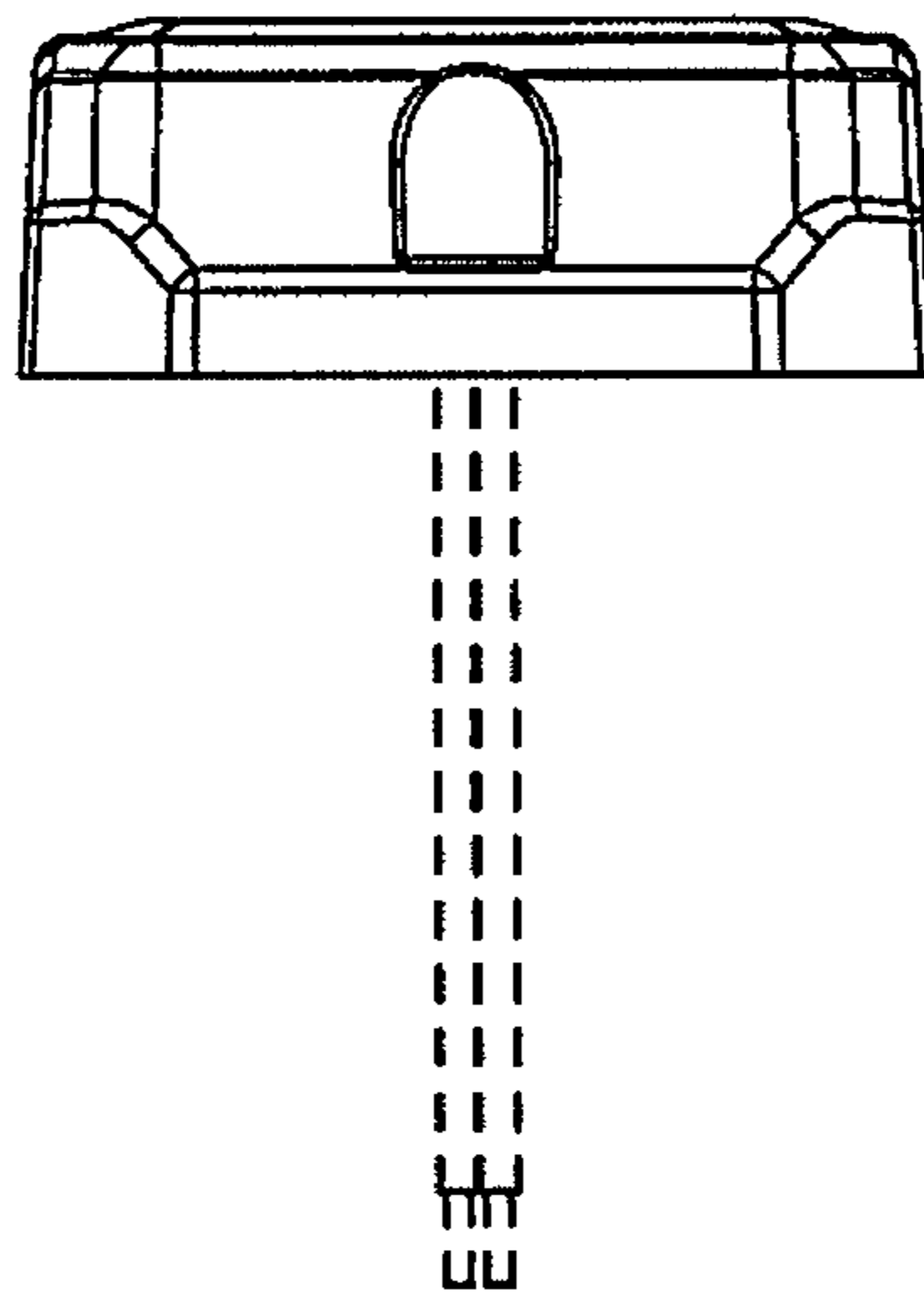


Fig. 4

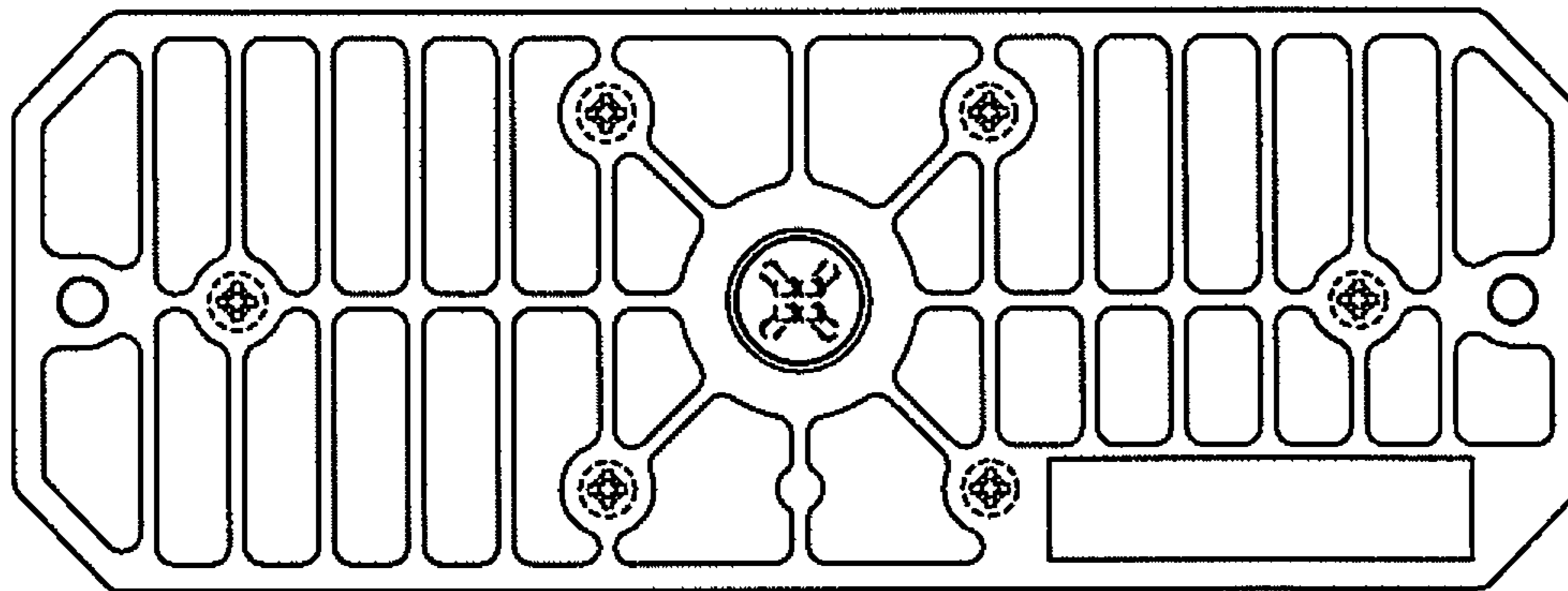


Fig. 5