



US00D682129S

(12) **United States Design Patent**  
**Kesselman**

(10) **Patent No.:** **US D682,129 S**  
(45) **Date of Patent:** **\*\* May 14, 2013**

- (54) **HAND HELD DIGITAL SCALE WITH RUBBER PROTECTION**
- (75) Inventor: **Joshua David Kesselman**, Phoenix, AZ (US)
- (73) Assignee: **BBK Tobacco & Foods, LLP**, Phoenix, AZ (US)
- (\*\*) Term: **14 Years**
- (21) Appl. No.: **29/395,436**
- (22) Filed: **Jan. 20, 2012**
- (51) **LOC (9) Cl.** ..... **10-04**
- (52) **U.S. Cl.**  
USPC ..... **D10/91**
- (58) **Field of Classification Search** ..... D10/88-91;  
177/25.13-25.18, 177-182, 211-214, 210 R,  
177/210 C, 210 GM, 210 FP, 210 PP, 210 EM,  
177/148, 236-245, DIG. 3  
See application file for complete search history.

(56) **References Cited**

U.S. PATENT DOCUMENTS

D550,108 S *	9/2007	Kesselman	.....	D10/91
D596,518 S *	7/2009	Kesselman	.....	D10/91

\* cited by examiner

*Primary Examiner* — Antoine D Davis

(74) *Attorney, Agent, or Firm* — Weiss & Moy, P.C.; Jeffrey D. Moy

(57) **CLAIM**

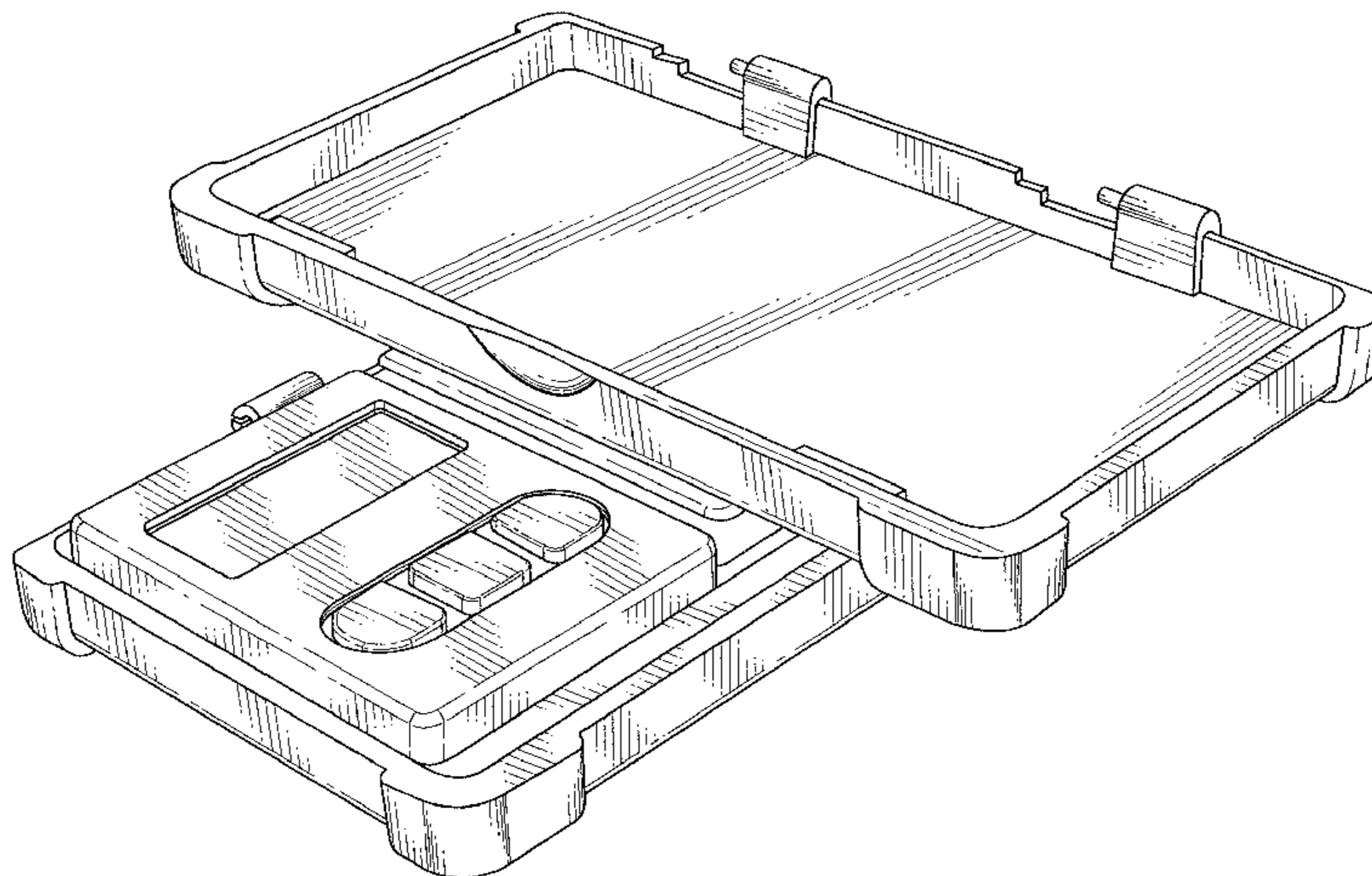
The ornamental design for a hand held digital scale with rubber protection, as shown and described.

**DESCRIPTION**

This application claims the benefit of U.S. design Pat. No. D505,873 dated Jun. 7, 2005.

FIG. 1 is a bottom view of the digital scale and cover;  
 FIG. 2 is a front side view of the digital scale and cover;  
 FIG. 3 is a top view of the digital scale and cover;  
 FIG. 4 is a rear side view of the digital scale and cover;  
 FIG. 5 is a one side view of the digital scale and cover;  
 FIG. 6 is another side view of the digital scale and cover;  
 FIG. 7 is a bottom view of the digital scale with the cover removed;  
 FIG. 8 is a front side view of the digital scale with the cover removed;  
 FIG. 9 is a top view of the digital scale with the cover removed;  
 FIG. 10 is a rear side view of the digital scale with the cover removed;  
 FIG. 11 is one side view of the digital scale with the cover removed;  
 FIG. 12 is another side view of the digital scale with the cover removed;  
 FIG. 13 is a bottom view of the cover;  
 FIG. 14 is a front side view of the cover;  
 FIG. 15 is top view of the cover;  
 FIG. 16 is a rear side view of the cover;  
 FIG. 17 is one side view of the cover;  
 FIG. 18 is another side view of the cover;  
 FIG. 19 is a front top perspective view of the digital scale and cover with the cover in a closed position;  
 FIG. 20 is a rear bottom perspective view of the digital scale and cover with the cover in a closed position;  
 FIG. 21 is a front perspective view of the digital scale and cover with the cover in an open position;  
 FIG. 22 is a front perspective view of the digital scale and cover with the cover in an open position and detached; and,  
 FIG. 23 is a front perspective view of the digital scale and cover with the cover detached and used as a tray.  
 Scale design is characterized by a case with a rubber protection cover with design.

**1 Claim, 7 Drawing Sheets**



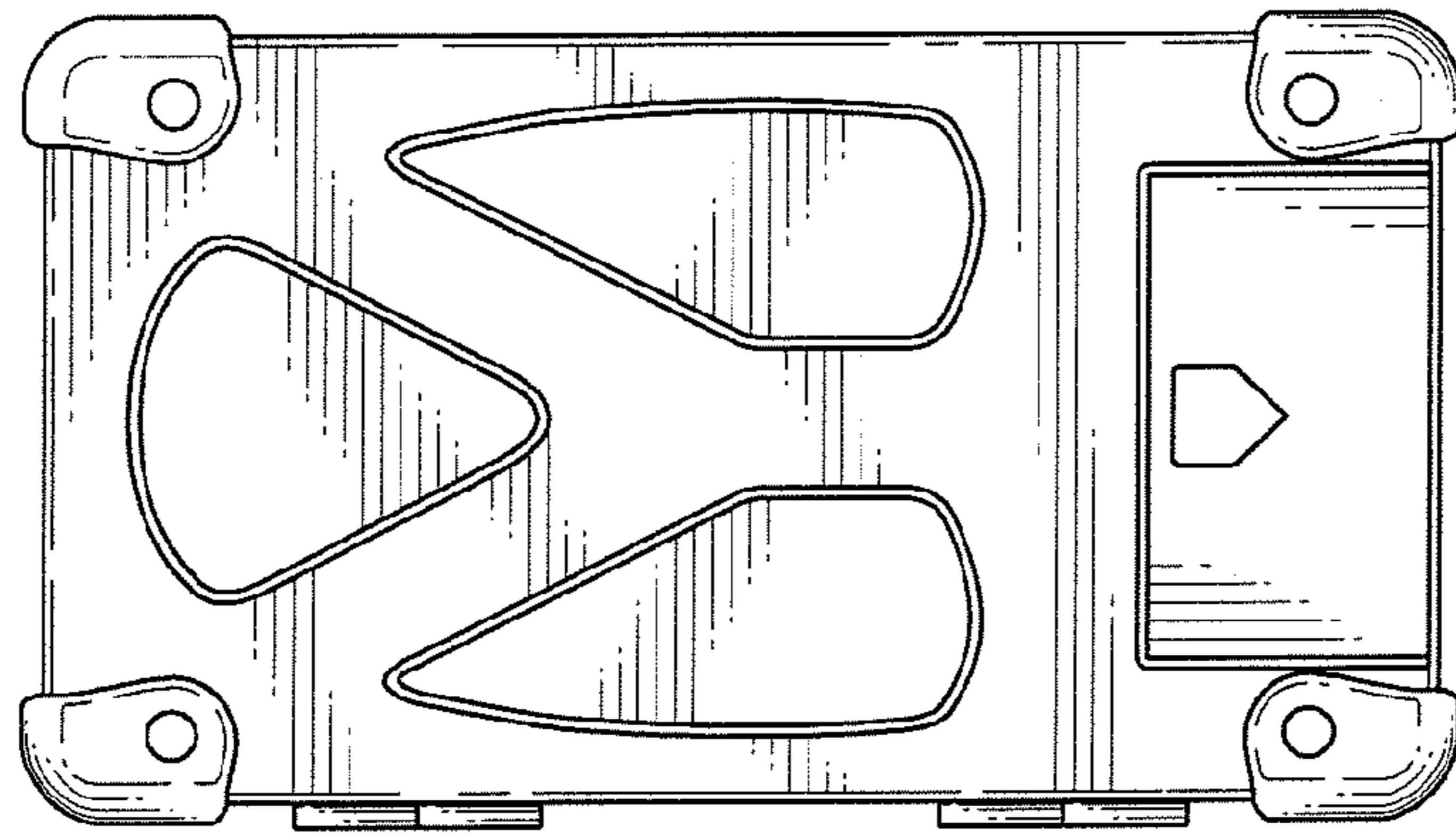


FIG. 1

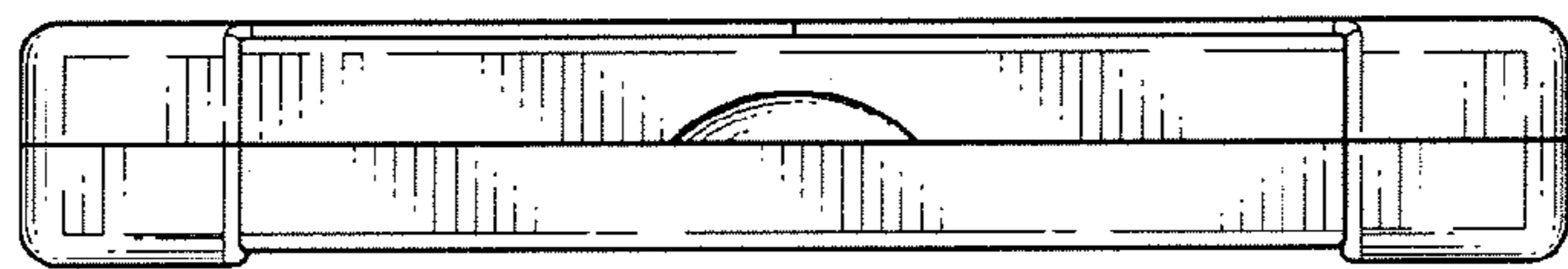


FIG. 2

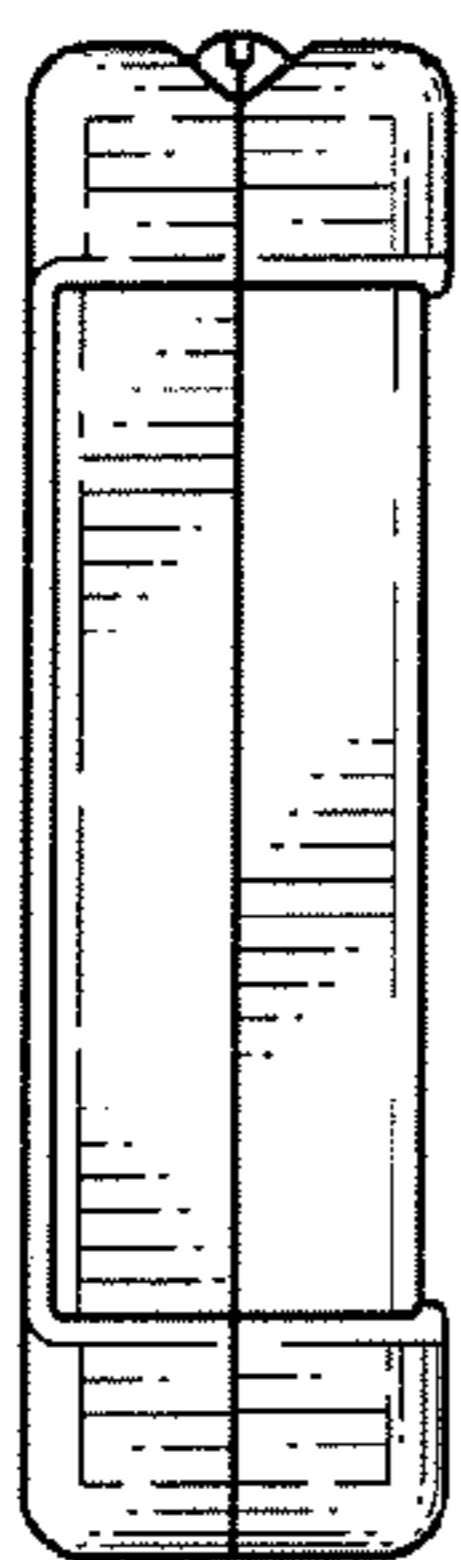


FIG. 5

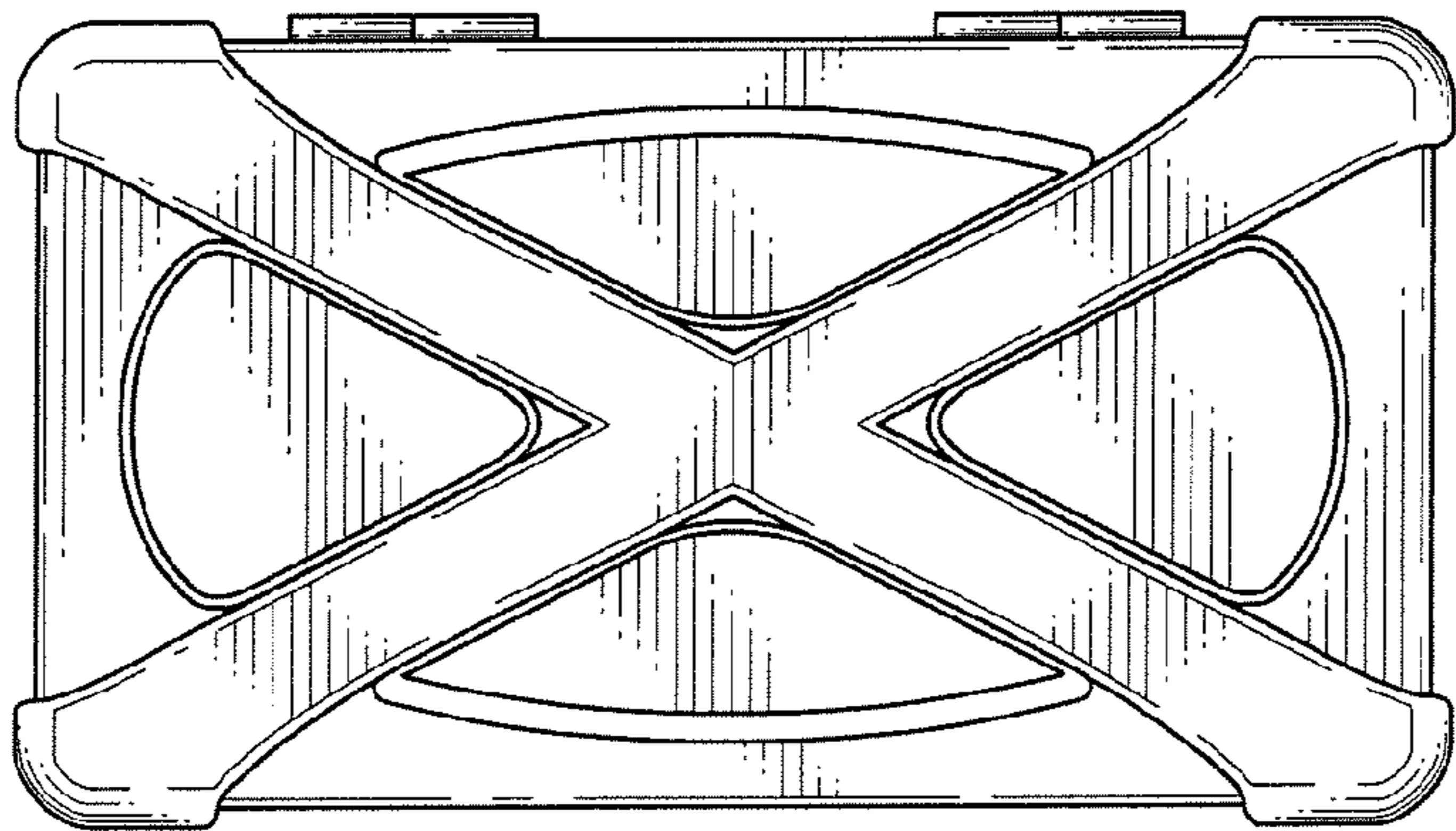


FIG. 3



FIG. 6

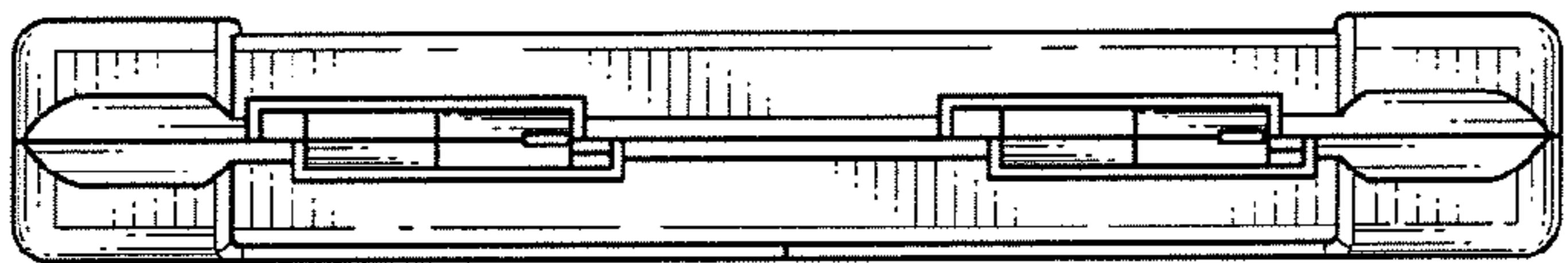


FIG. 4

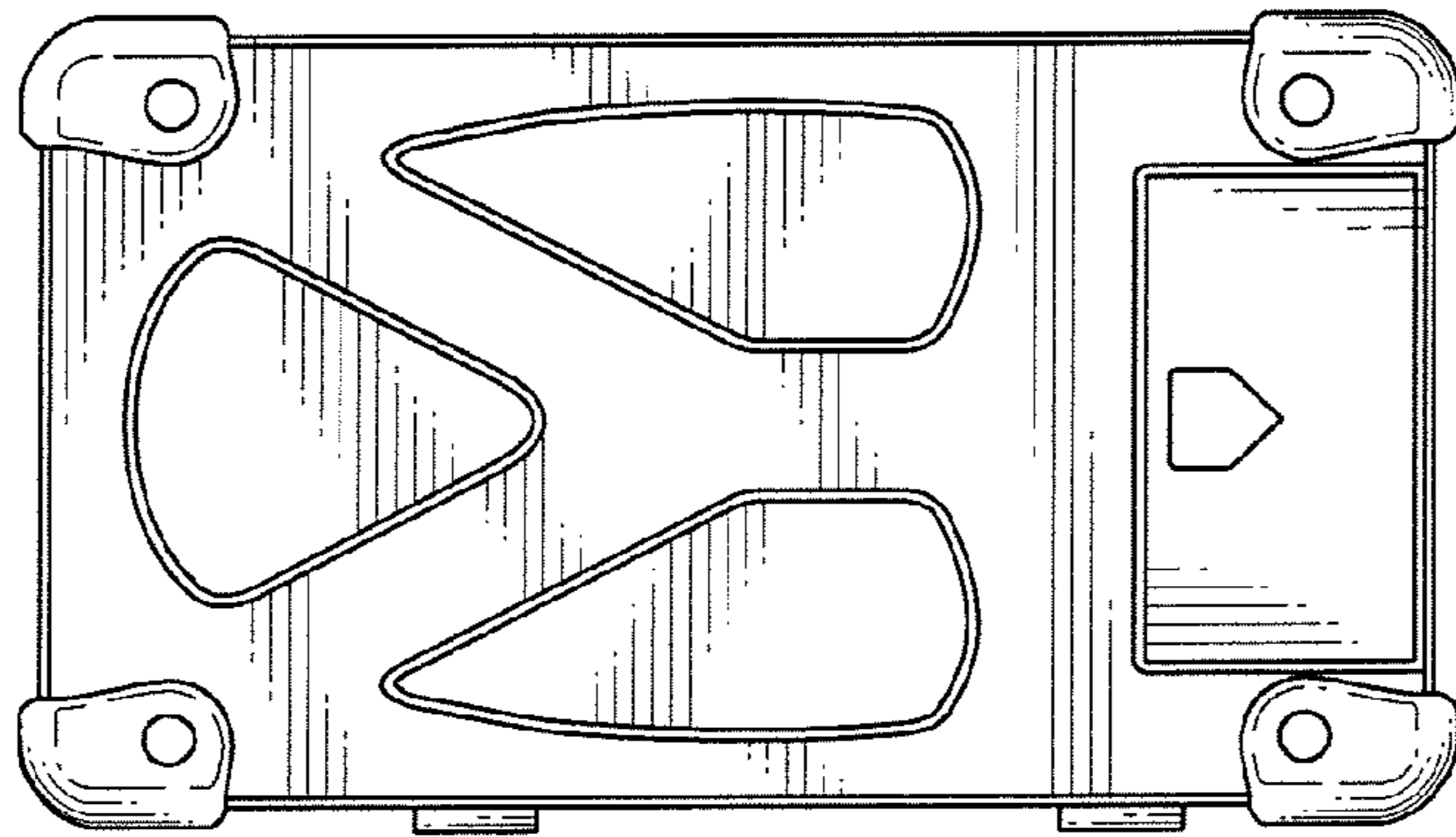


FIG. 7

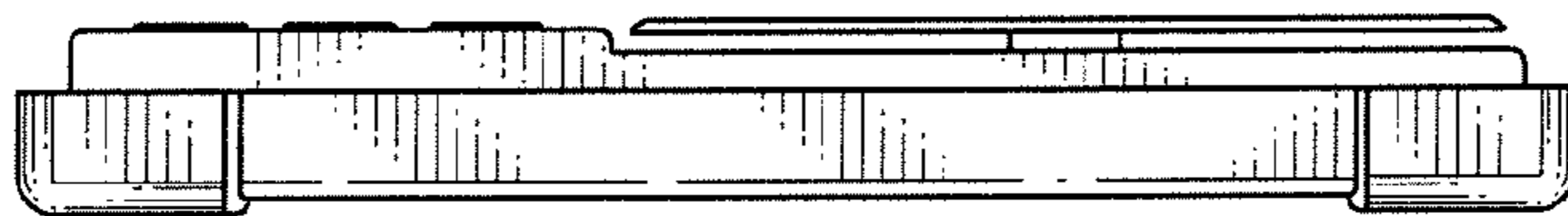


FIG. 8

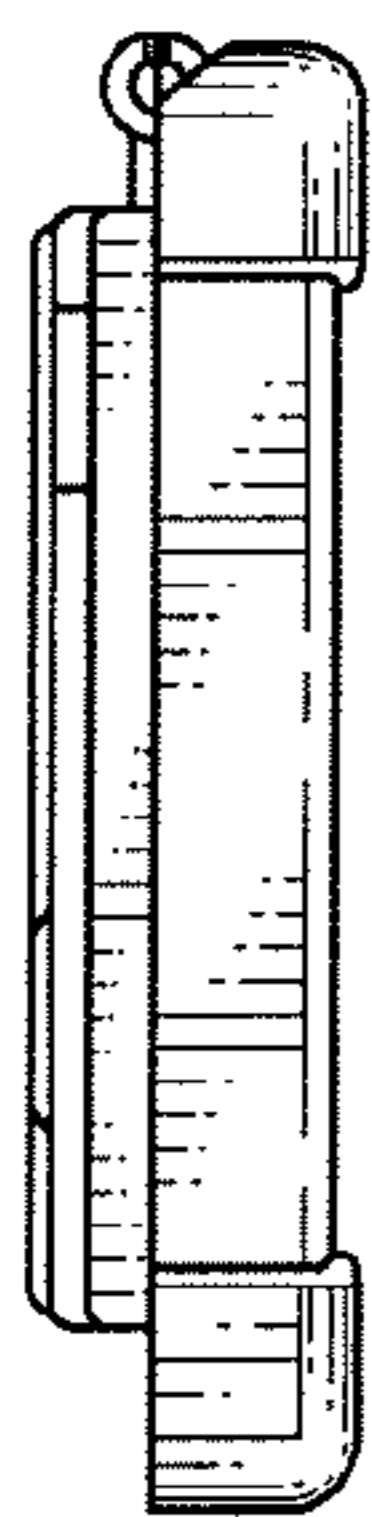


FIG. 11

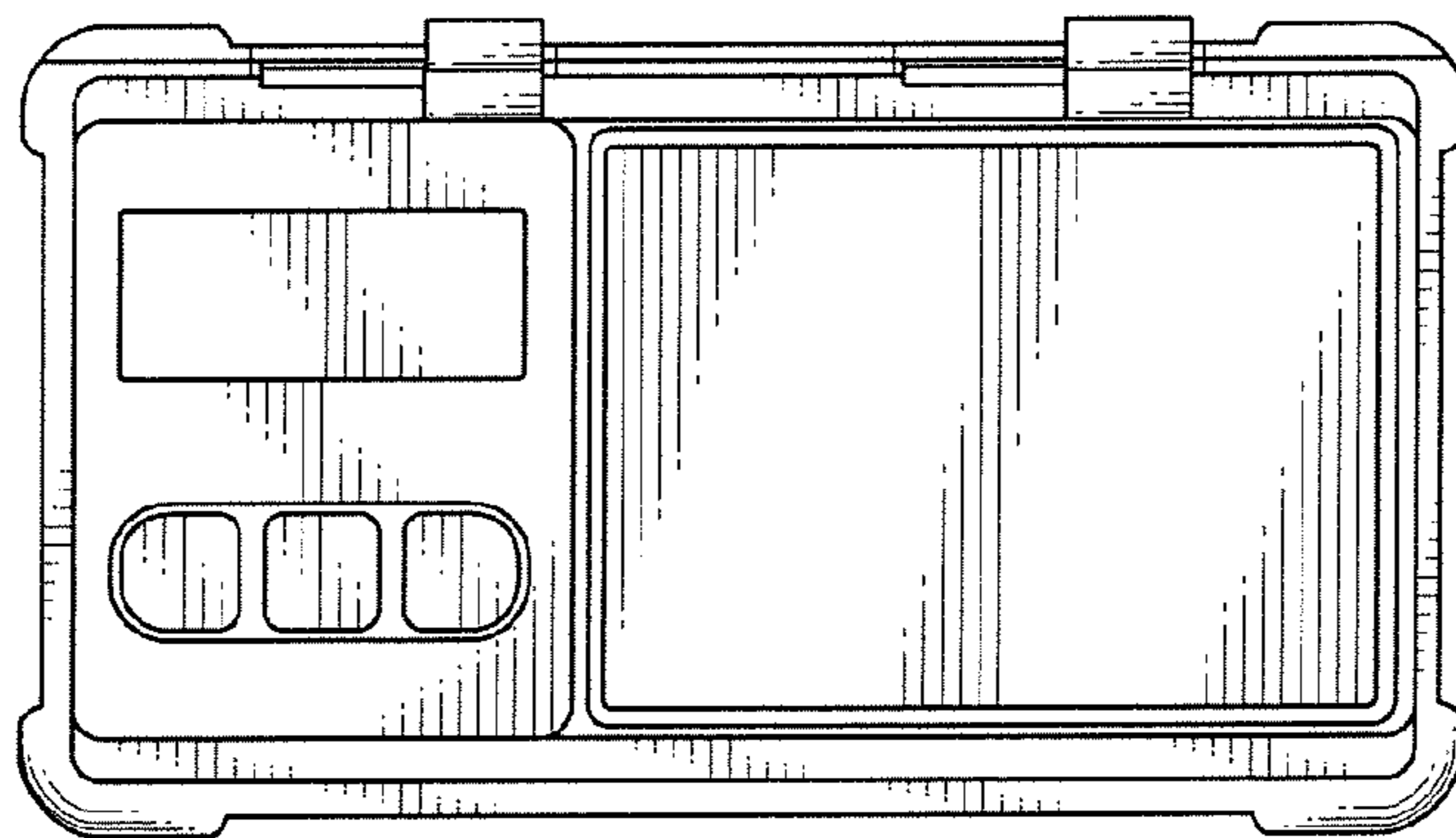


FIG. 9



FIG. 12

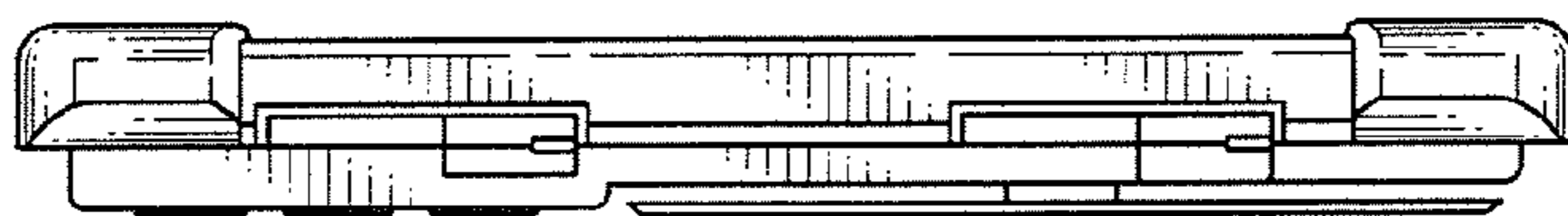


FIG. 10

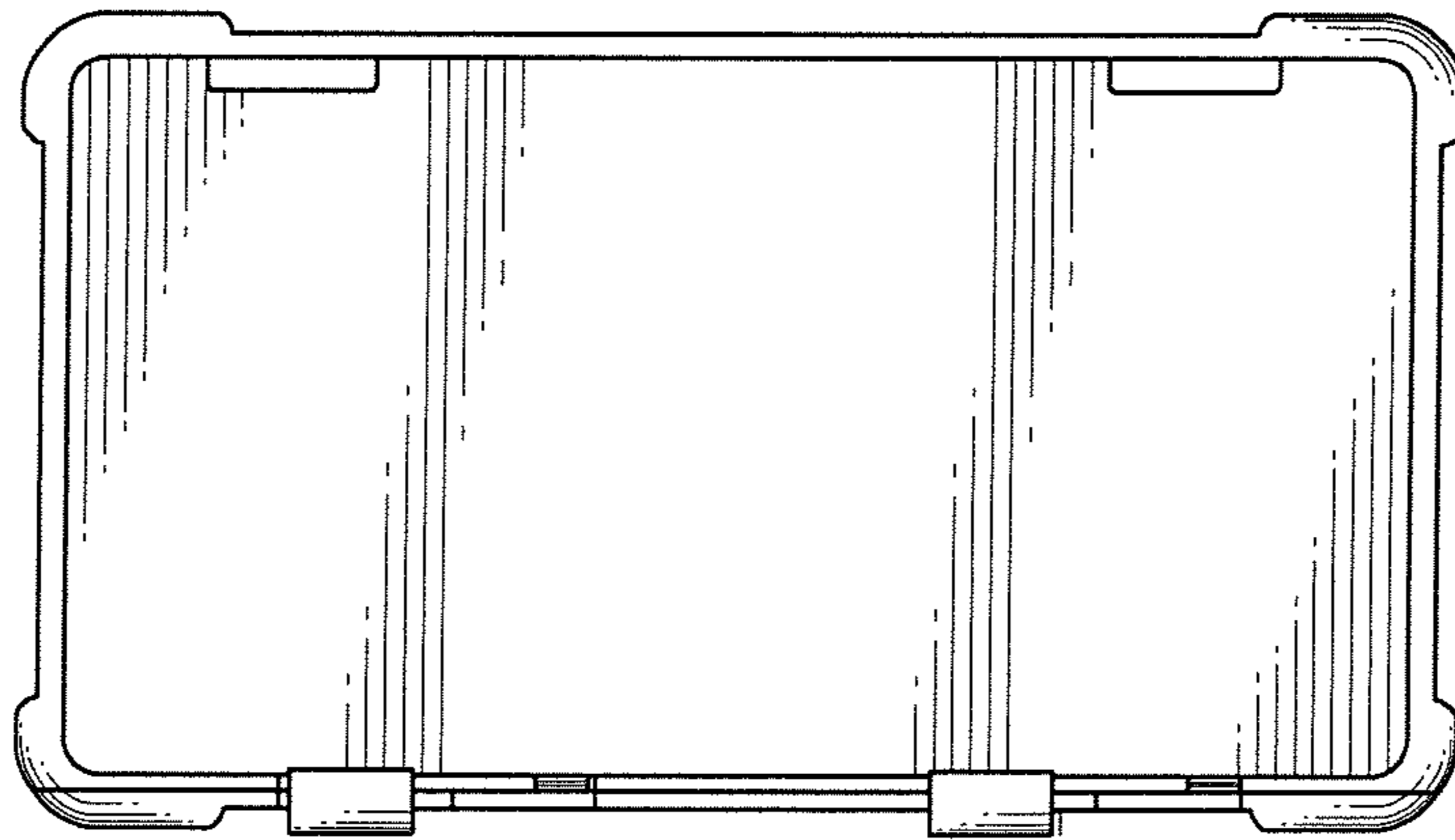


FIG. 13



FIG. 14



FIG. 17

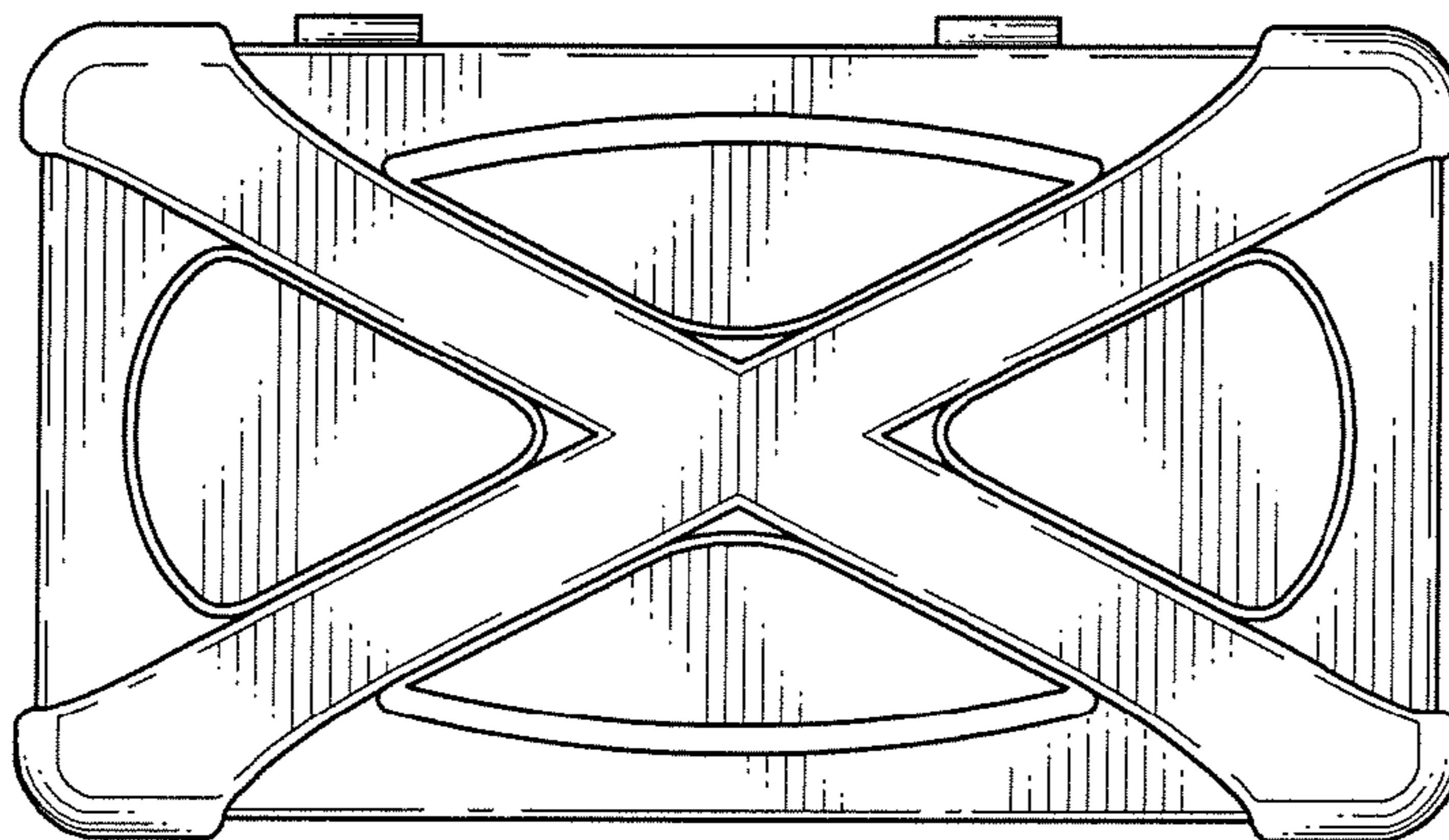


FIG. 15



FIG. 18

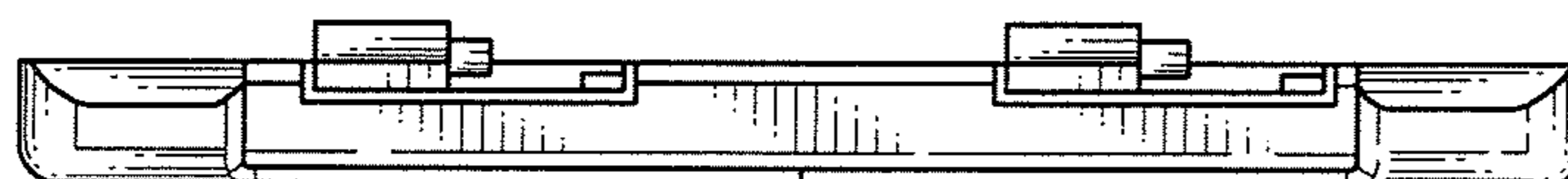


FIG. 16

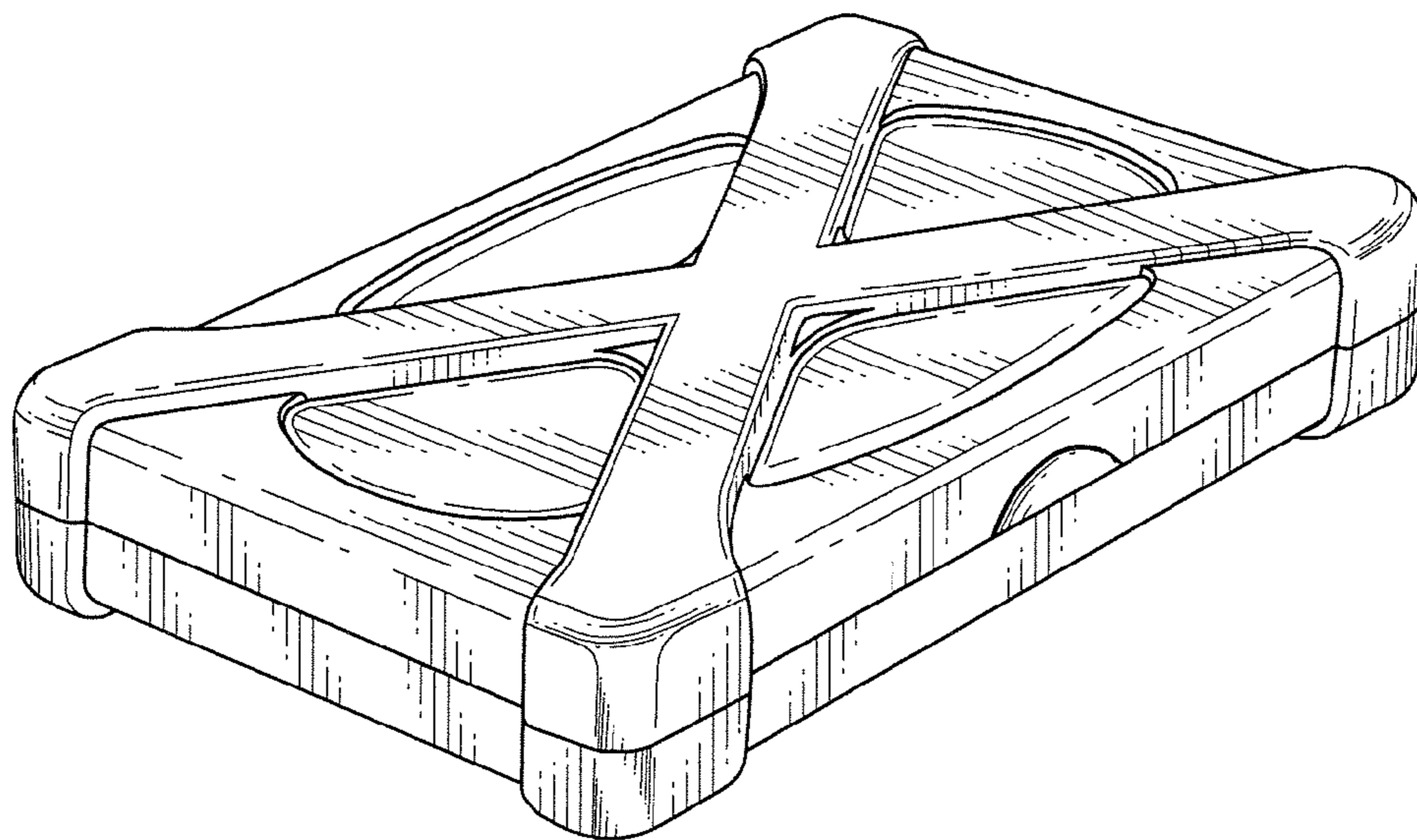


FIG. 19

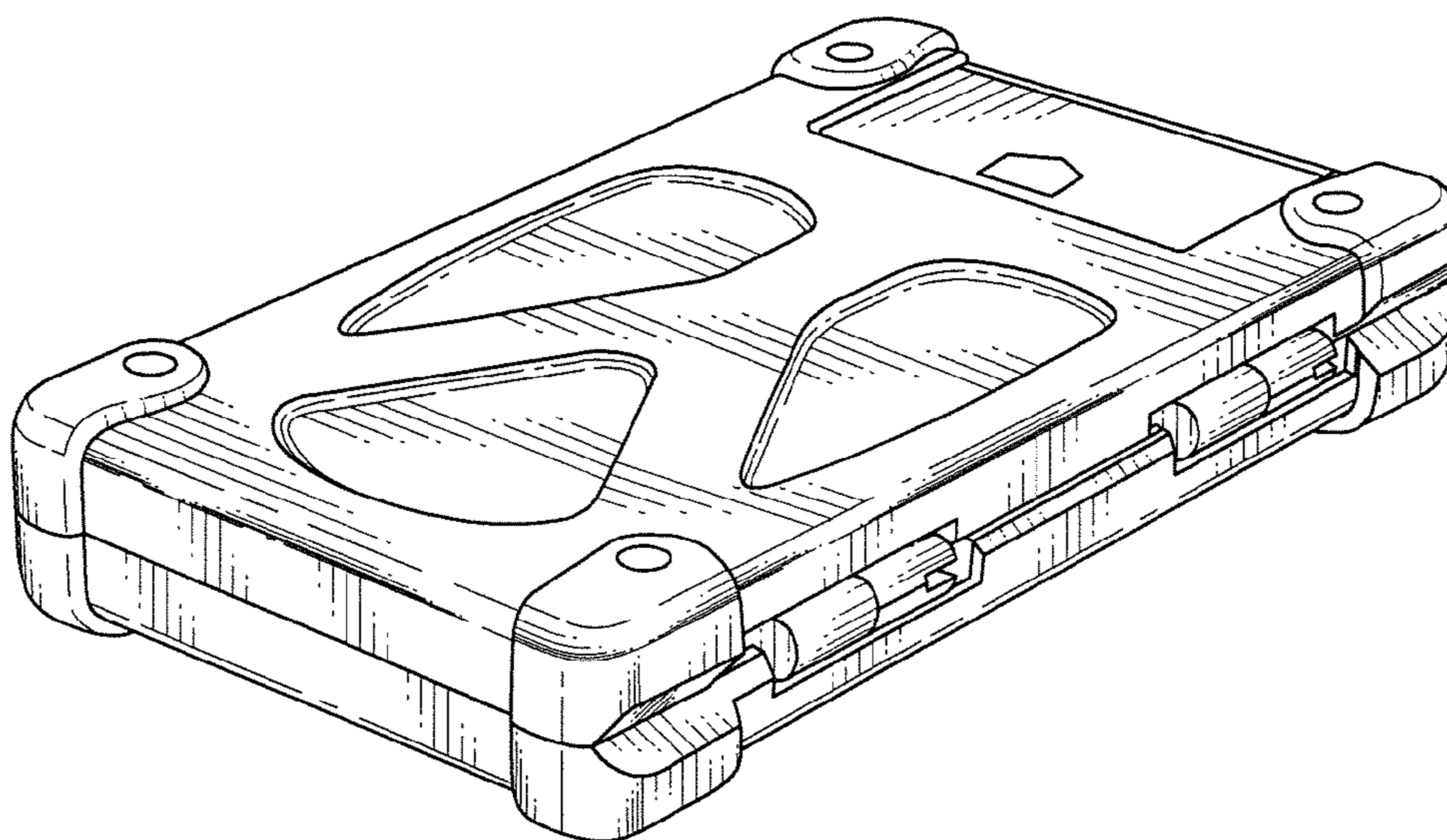


FIG. 20

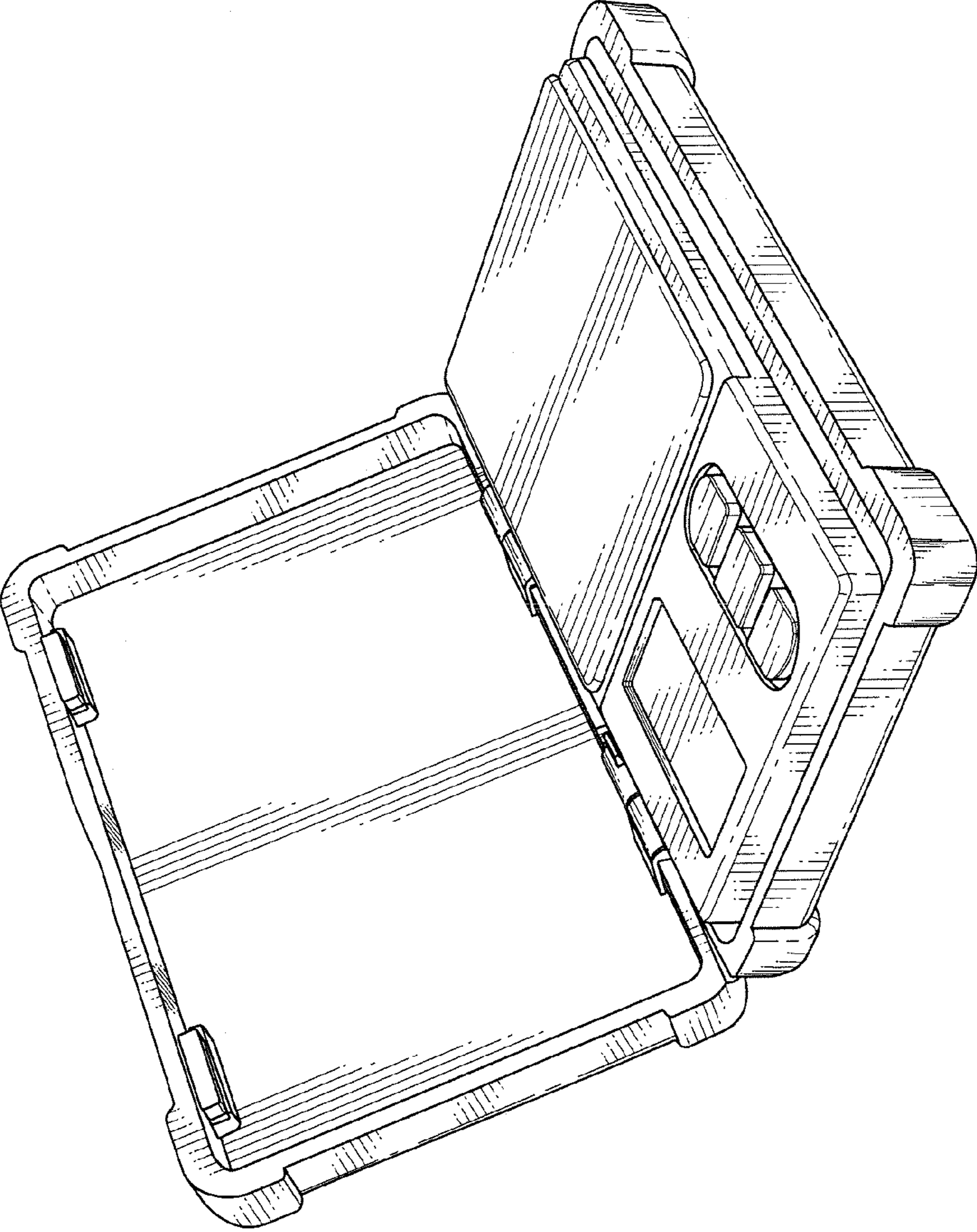


FIG. 21

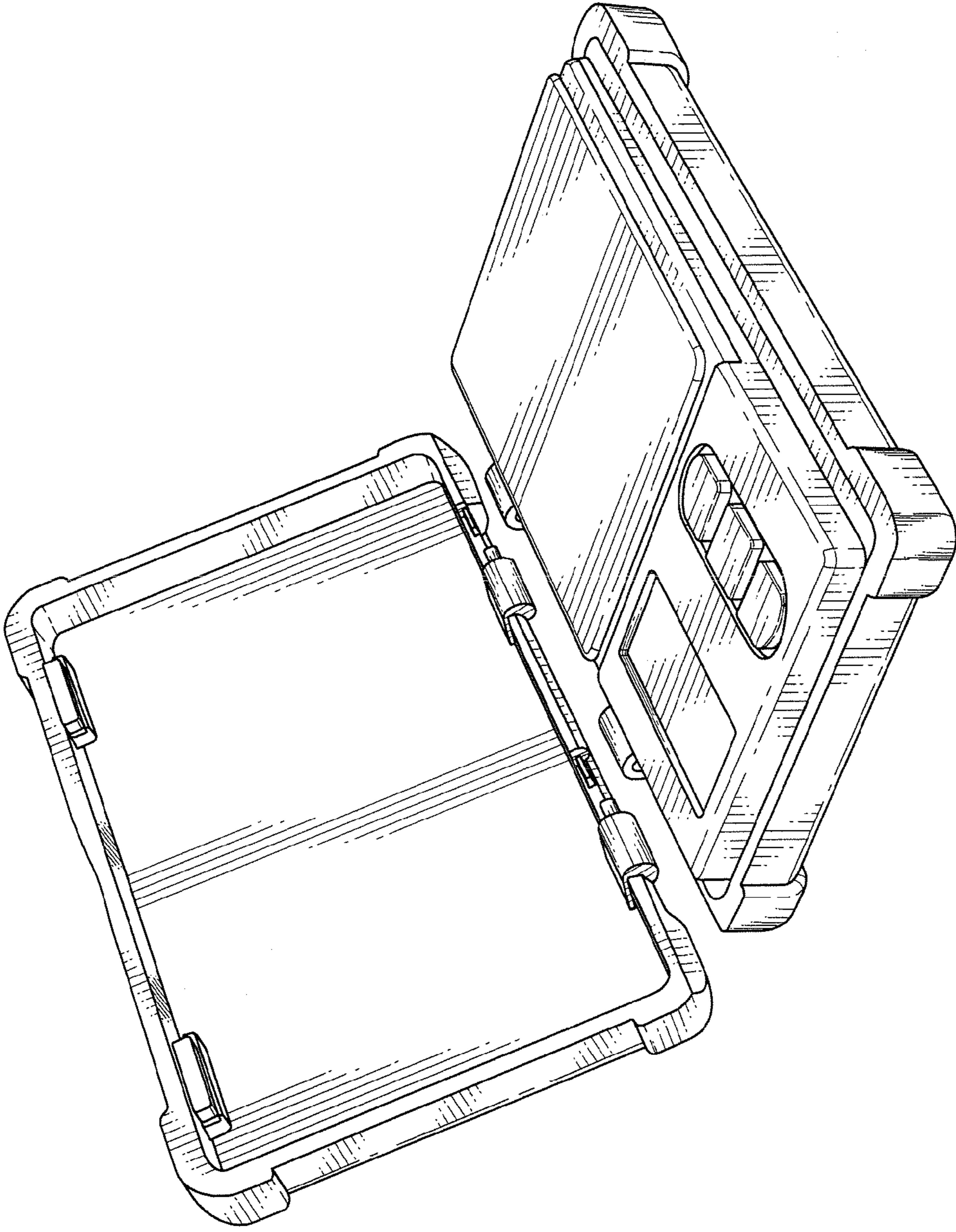


FIG. 22

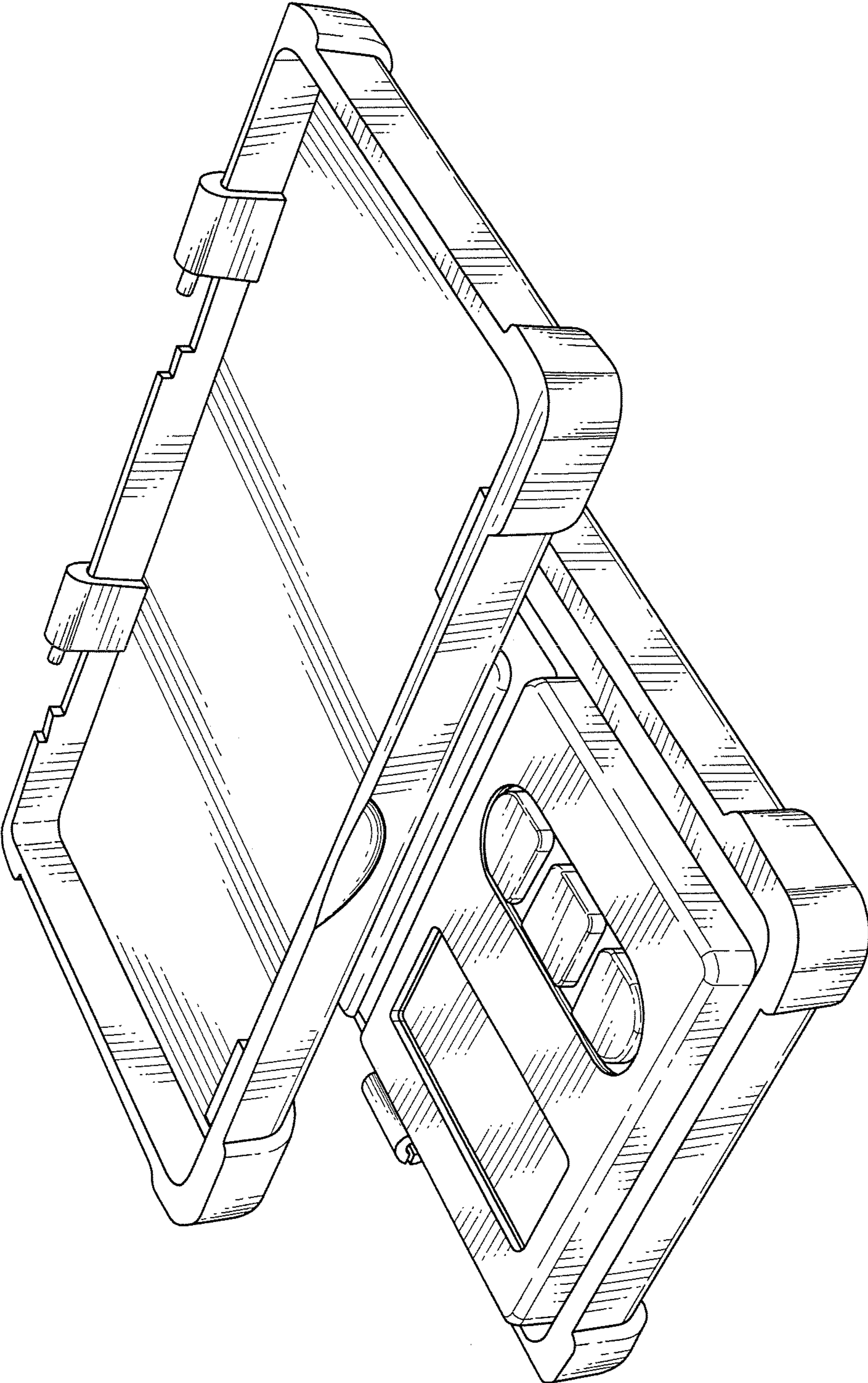


FIG. 23