



US00D682128S

(12) **United States Design Patent**  
**Kesselman**

(10) **Patent No.:** **US D682,128 S**

(45) **Date of Patent:** **\*\* May 14, 2013**

(54) **SCALE**

**DESCRIPTION**

(75) Inventor: **Joshua David Kesselman**, Phoenix, AZ (US)

(73) Assignee: **BBK Tobacco & Foods, LLP**, Phoenix, AZ (US)

(\*\*) Term: **14 Years**

(21) Appl. No.: **29/395,435**

(22) Filed: **Jan. 20, 2012**

(51) **LOC (9) Cl.** ..... **10-04**

(52) **U.S. Cl.**  
USPC ..... **D10/91**

(58) **Field of Classification Search** ..... D10/88-91;  
177/25.13-25.18, 177-182, 211-214, 210 R,  
177/210 C, 210 GM, 210 FP, 210 PP, 210 EM,  
177/148, 236-245, DIG. 3  
See application file for complete search history.

(56) **References Cited**

U.S. PATENT DOCUMENTS

6,833,515 B1 \* 12/2004 Kesselman ..... 177/126  
D578,420 S \* 10/2008 Kesselman ..... D10/91  
D596,519 S \* 7/2009 Kesselman ..... D10/91

\* cited by examiner

*Primary Examiner* — Antoine D Davis

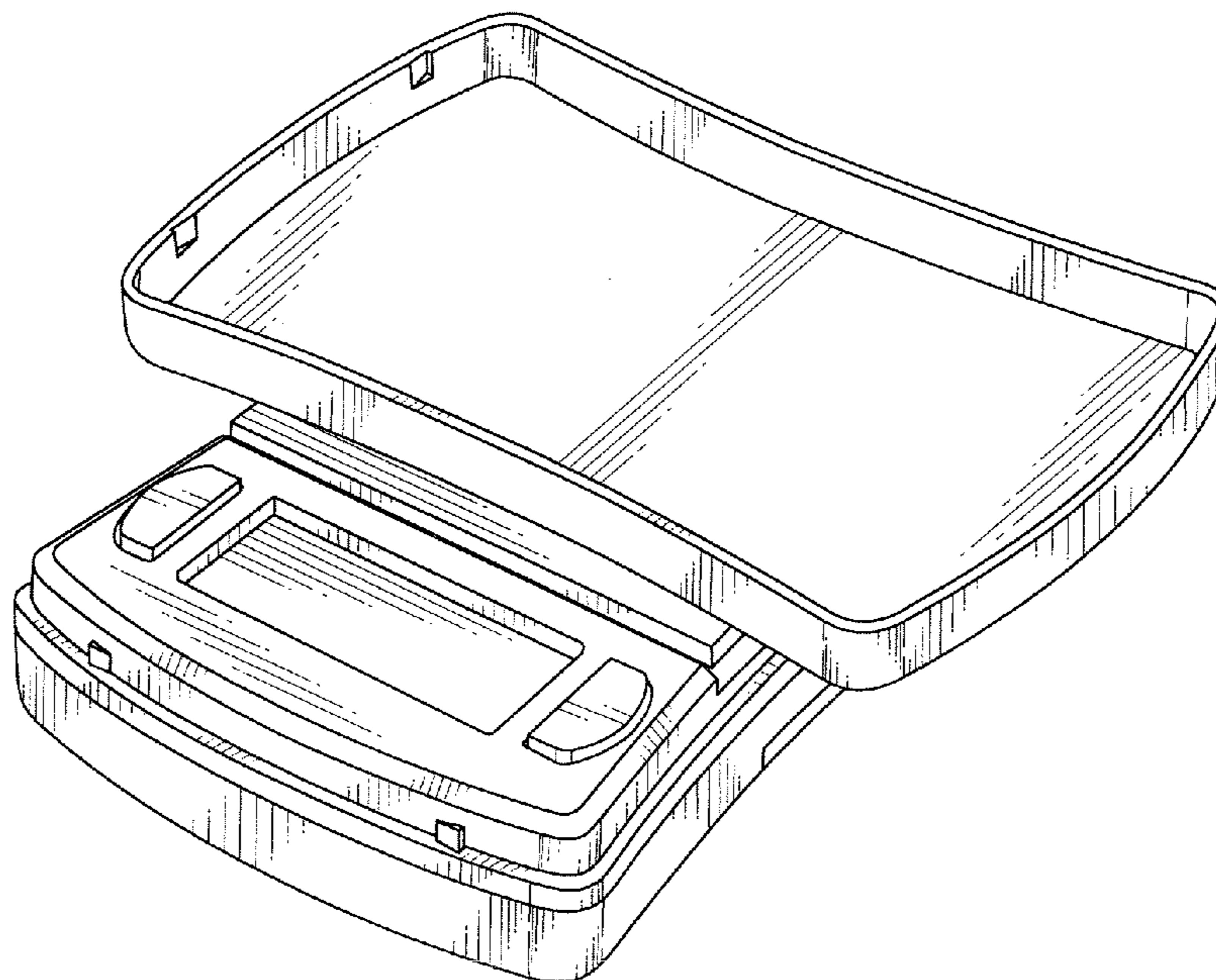
(74) *Attorney, Agent, or Firm* — Weiss & Moy, P.C.; Jeffrey D. Moy

(57) **CLAIM**

The ornamental design for a scale, as shown and described.

FIG. 1 is a top view of the digital scale cover;  
FIG. 2 is a side view of the long side of the digital scale cover with the digital cover in a face down position;  
FIG. 3 is a bottom view of the digital scale cover;  
FIG. 4 is a side view along the long side of the digital scale cover with the digital cover in a face up position; a long side view;  
FIG. 5 is a side view of one of the short sides of the digital scale cover;  
FIG. 6 is a side view of one of the short sides of the digital scale cover;  
FIG. 7 is a top view of the digital scale and cover;  
FIG. 8 is a side view of the long side of the digital scale and cover with the cover on the bottom;  
FIG. 9 is a bottom view of the digital scale and cover;  
FIG. 10 is a side view of the long side of the digital scale and cover with the cover on the top;  
FIG. 11 is a side view of one of the short sides of the digital scale and cover;  
FIG. 12 is a side view of one of the short sides of the digital scale and cover;  
FIG. 13 is a front perspective view of the digital scale with the cover in an open position;  
FIG. 14 is a front perspective view of the digital scale with the cover in a closed position;  
FIG. 15 is another front perspective view of the digital scale with the cover in an open position;  
FIG. 16 is a front perspective view of the digital scale and cover with the cover being used as a tray; and,  
FIG. 17 is a bottom perspective view of the digital scale and cover with the cover in a closed position.

**1 Claim, 6 Drawing Sheets**



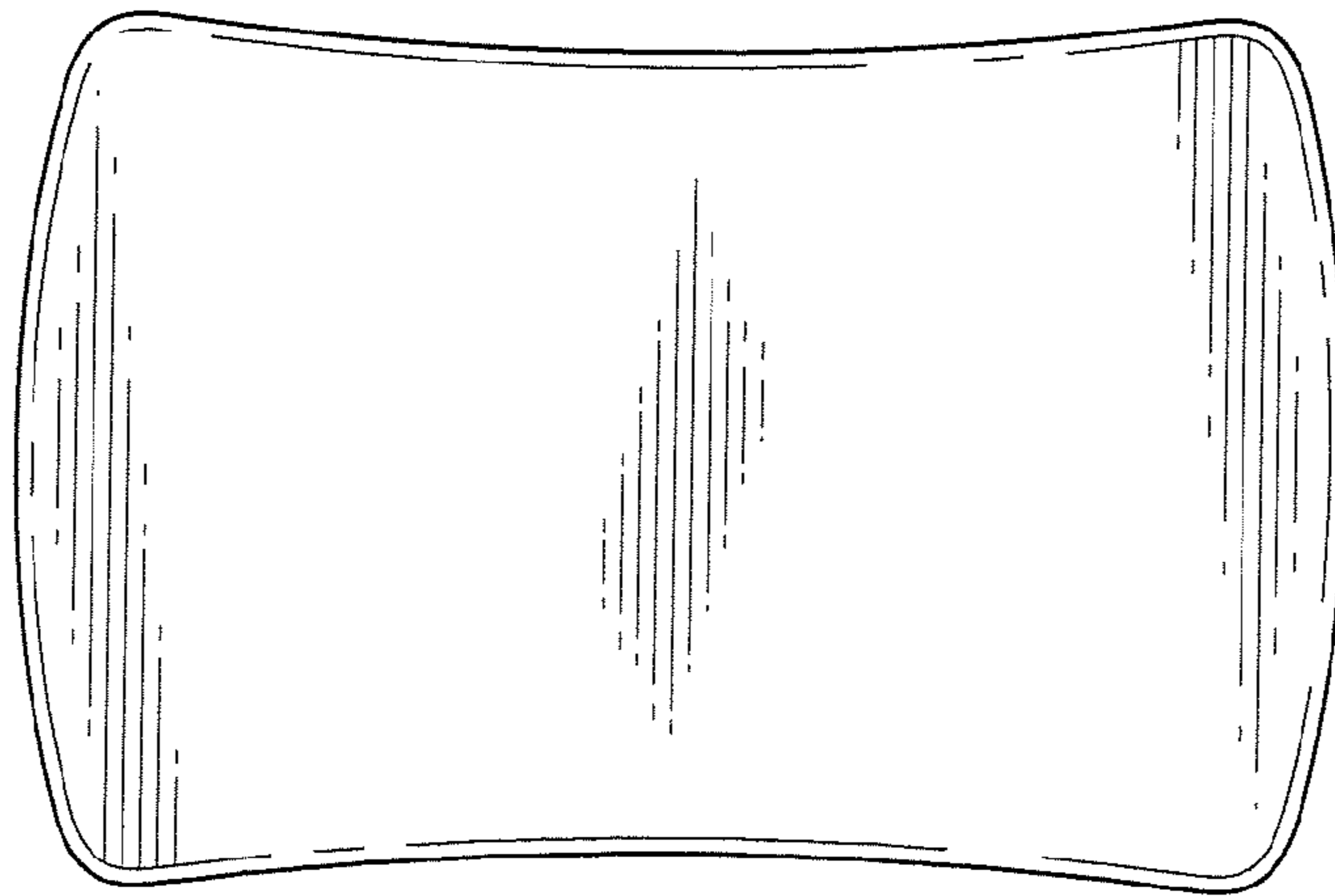


FIG. 1

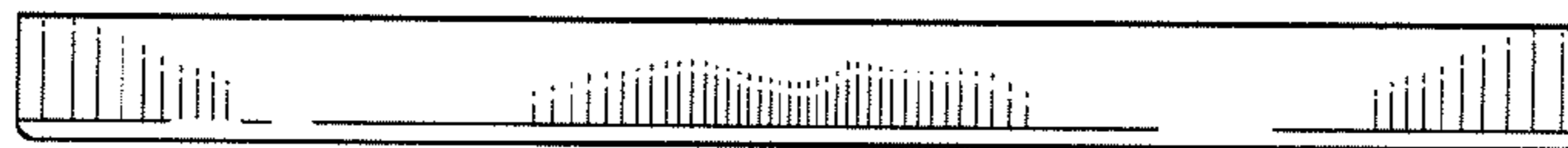


FIG. 2

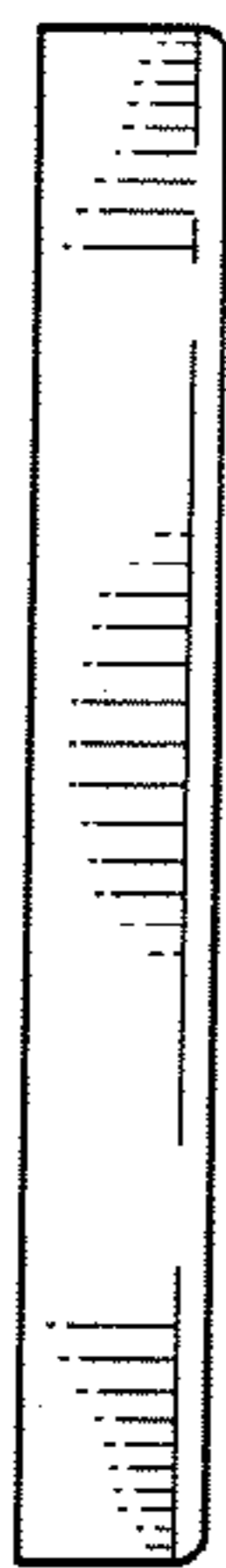


FIG. 5

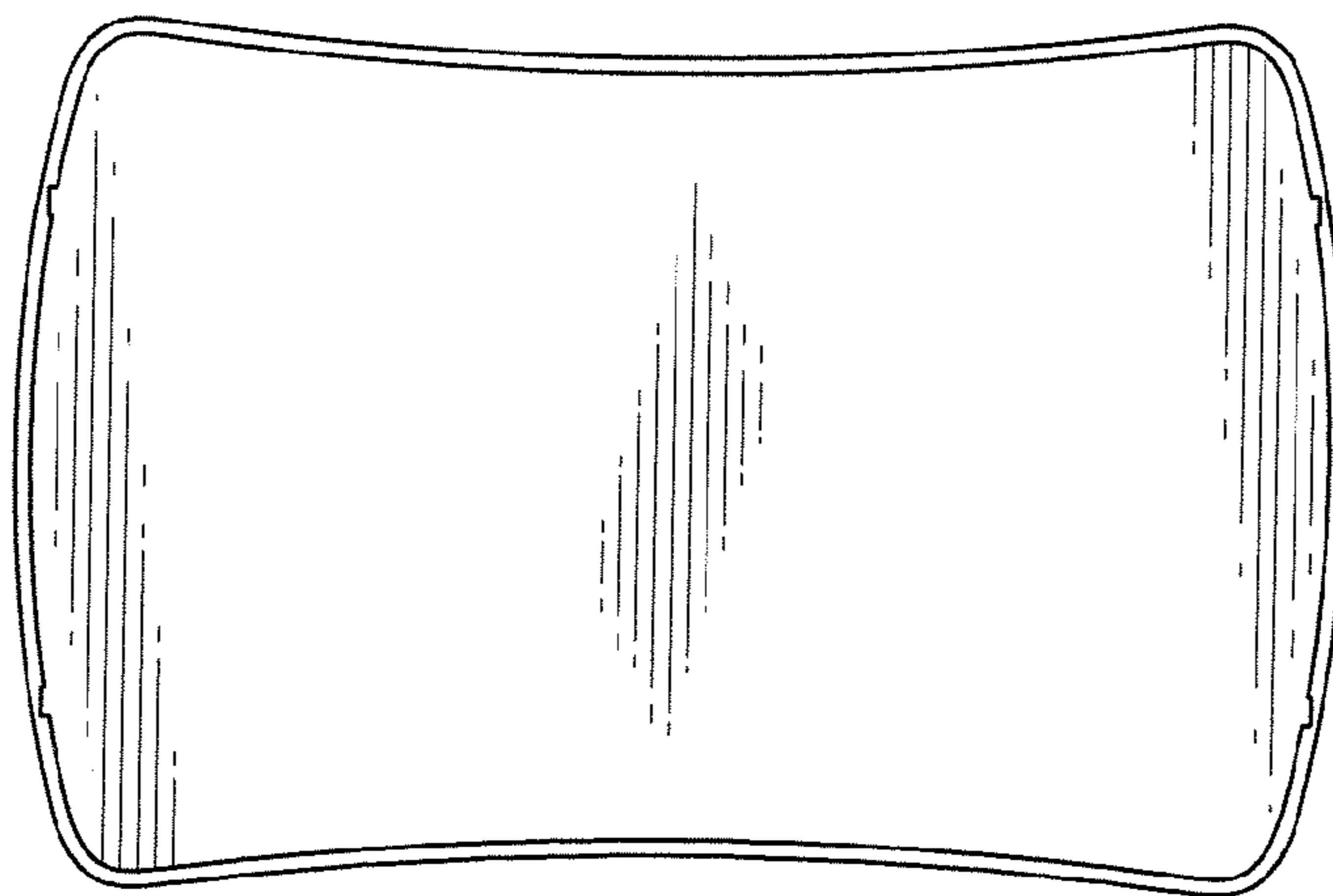


FIG. 3

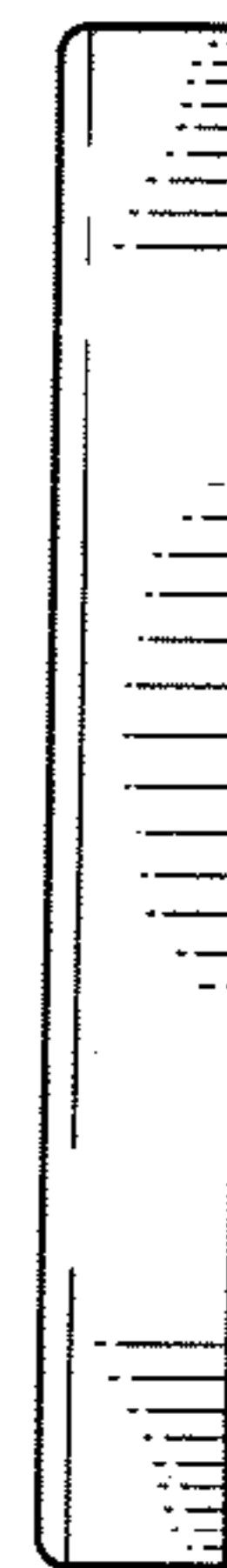


FIG. 6

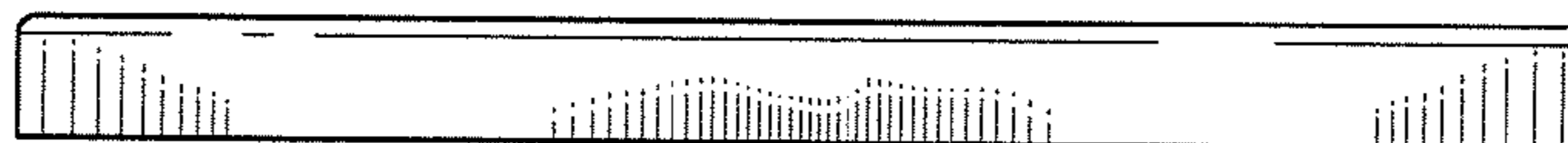


FIG. 4

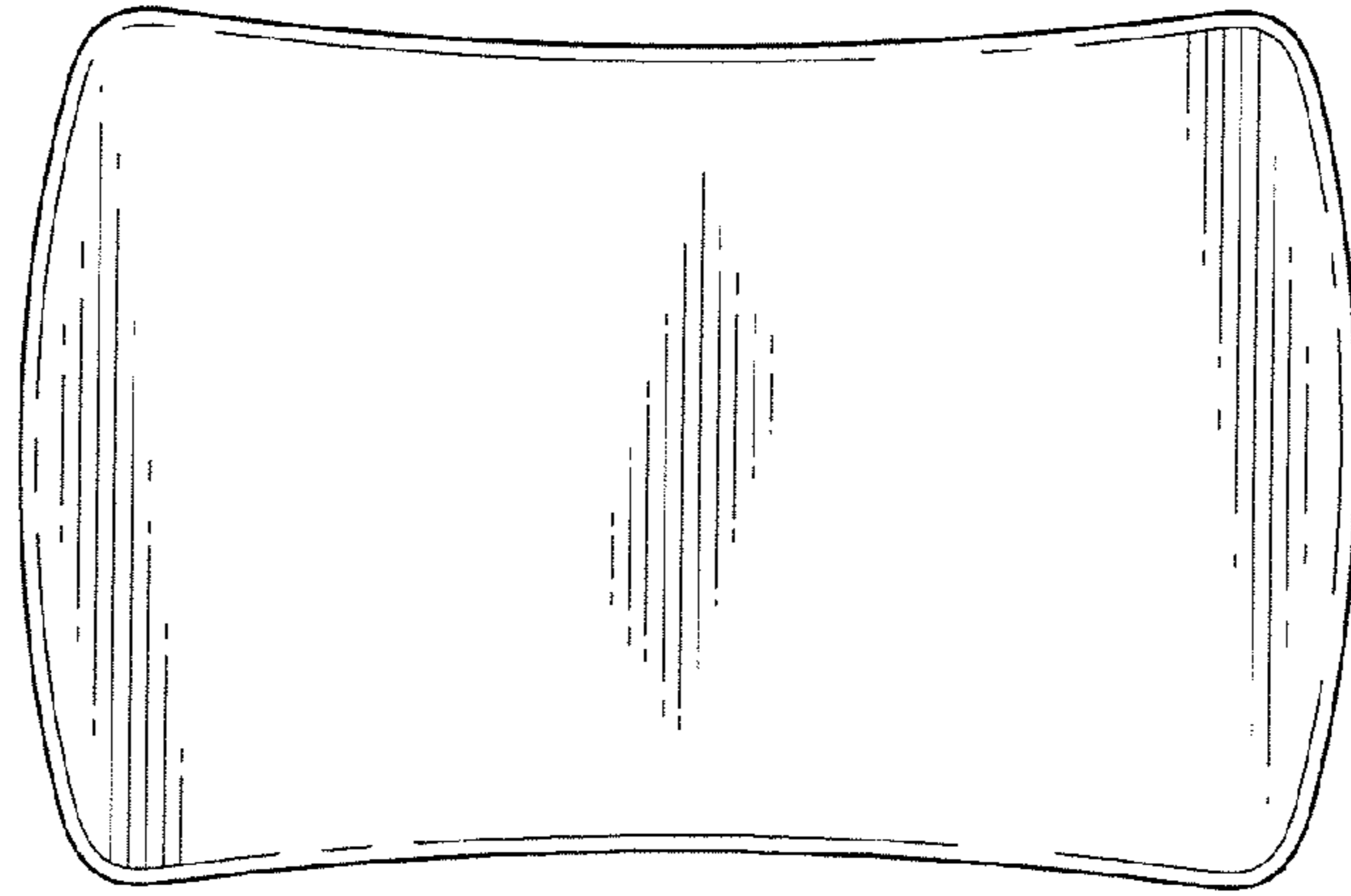


FIG. 7

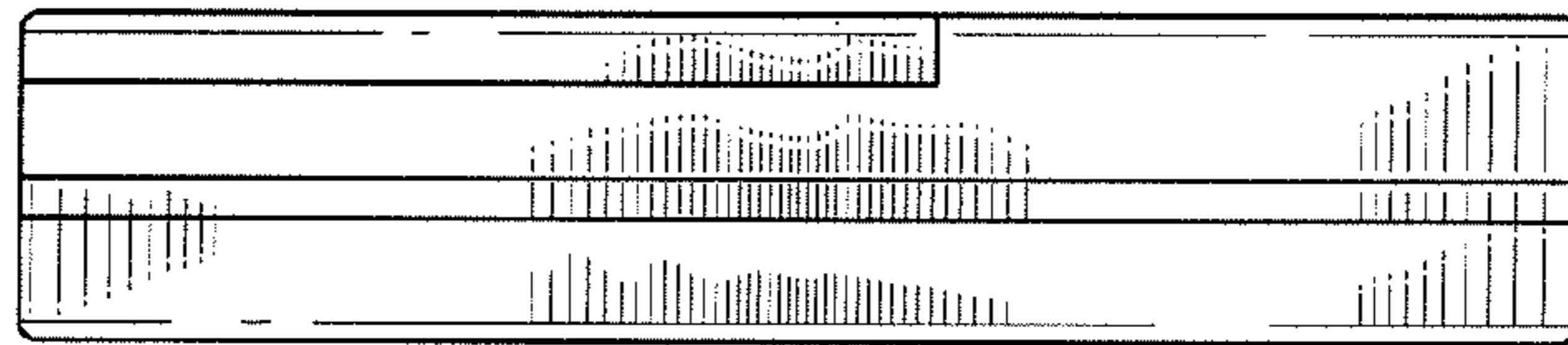


FIG. 8

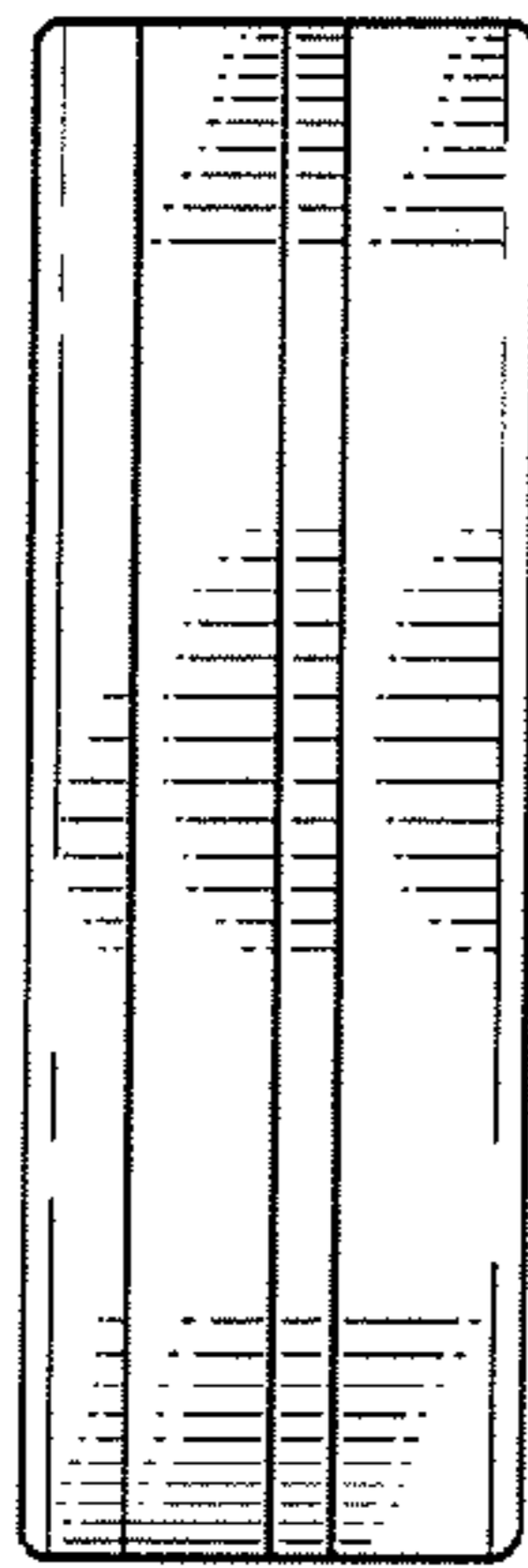


FIG. 11

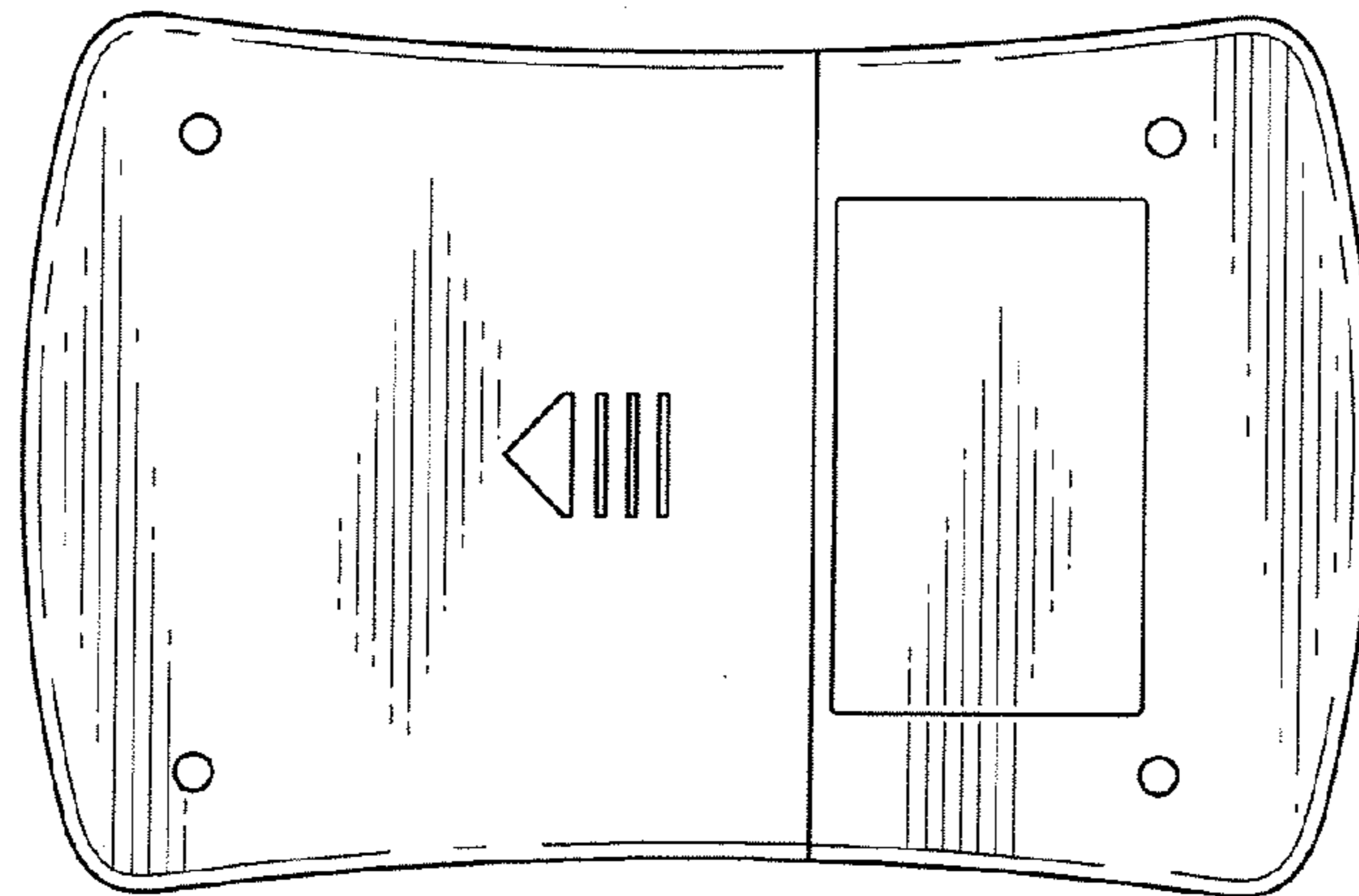


FIG. 9

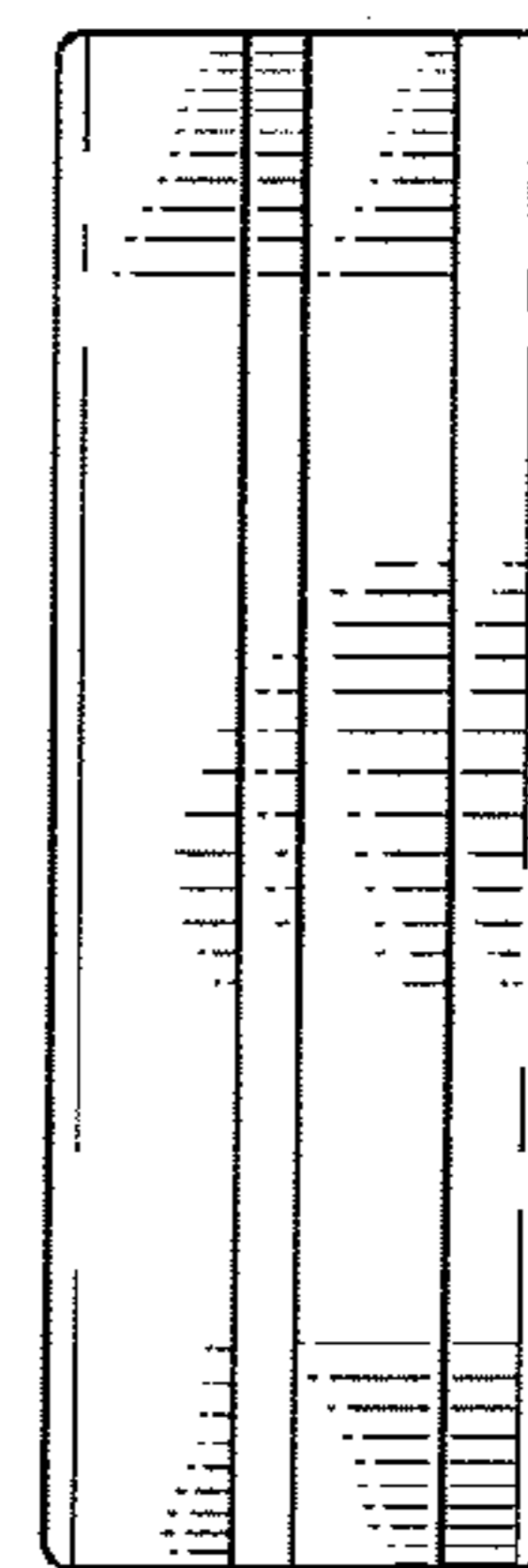


FIG. 12

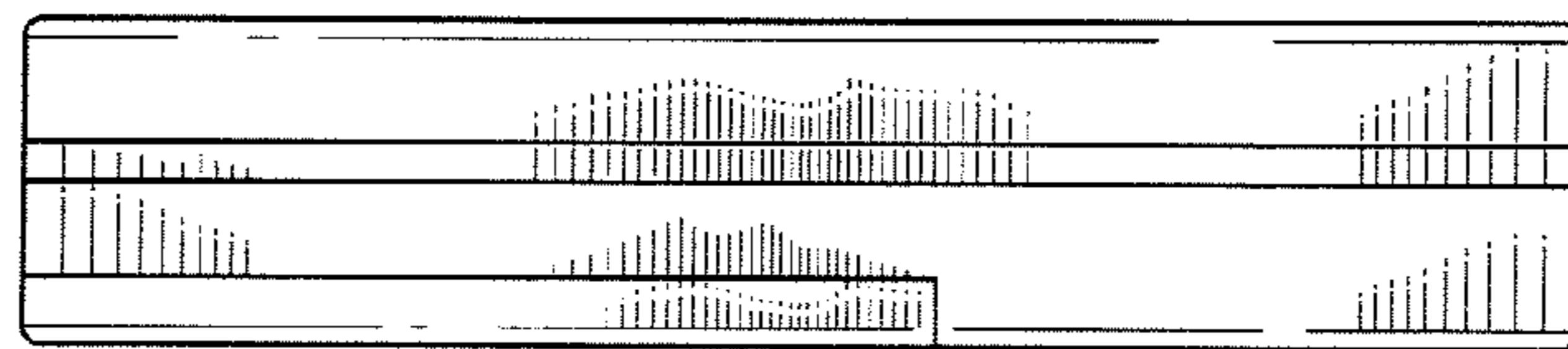


FIG. 10

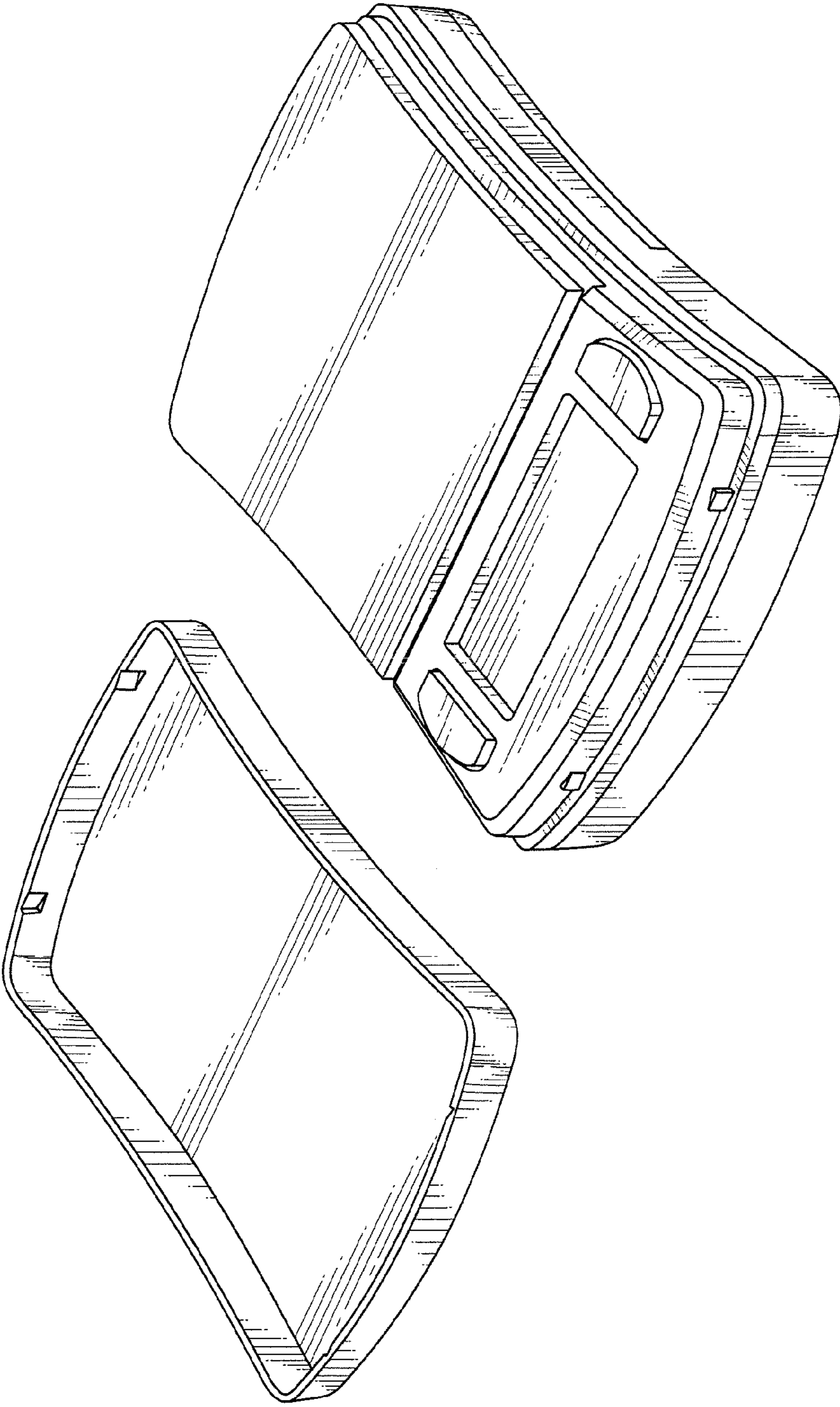


FIG. 13

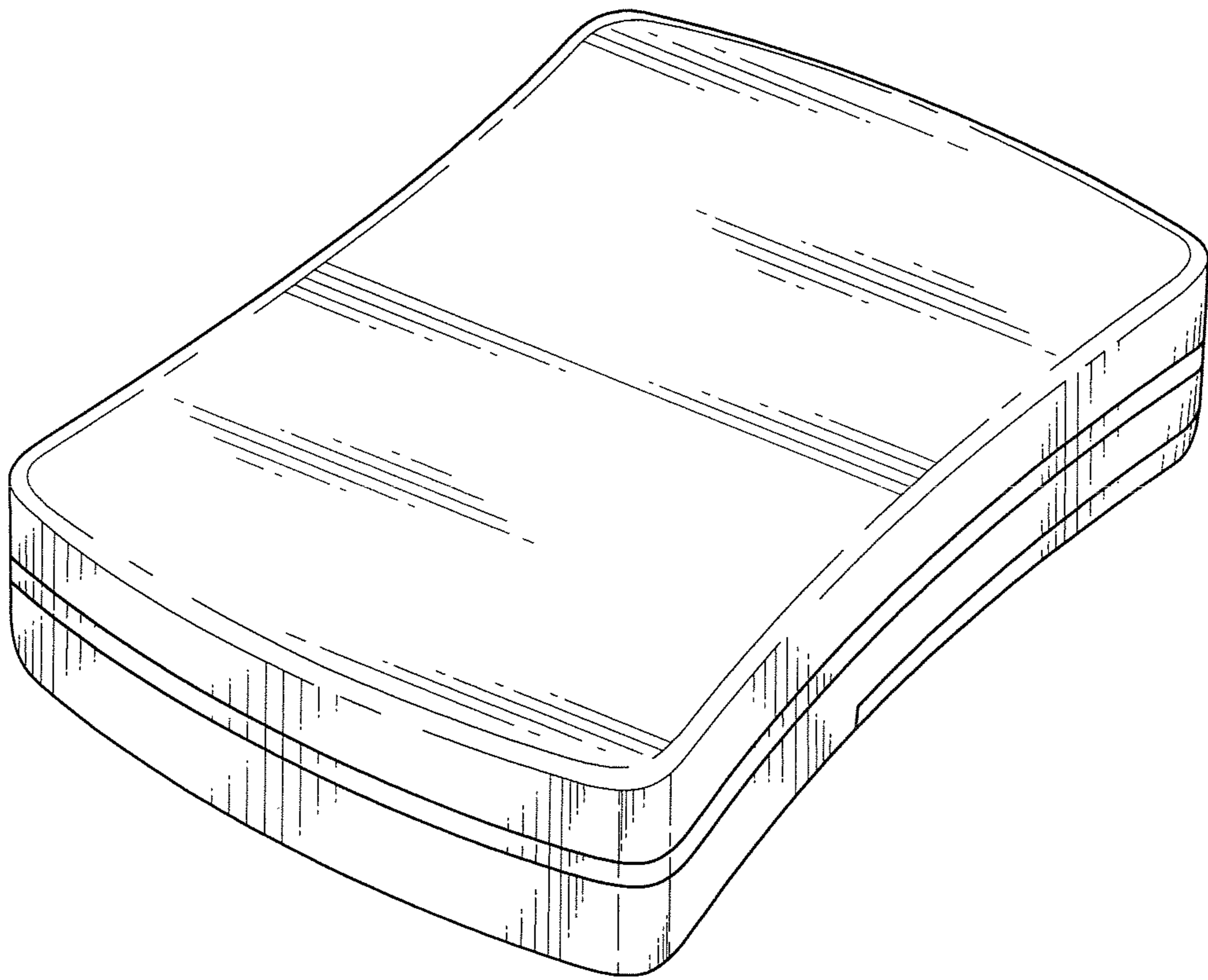


FIG. 14

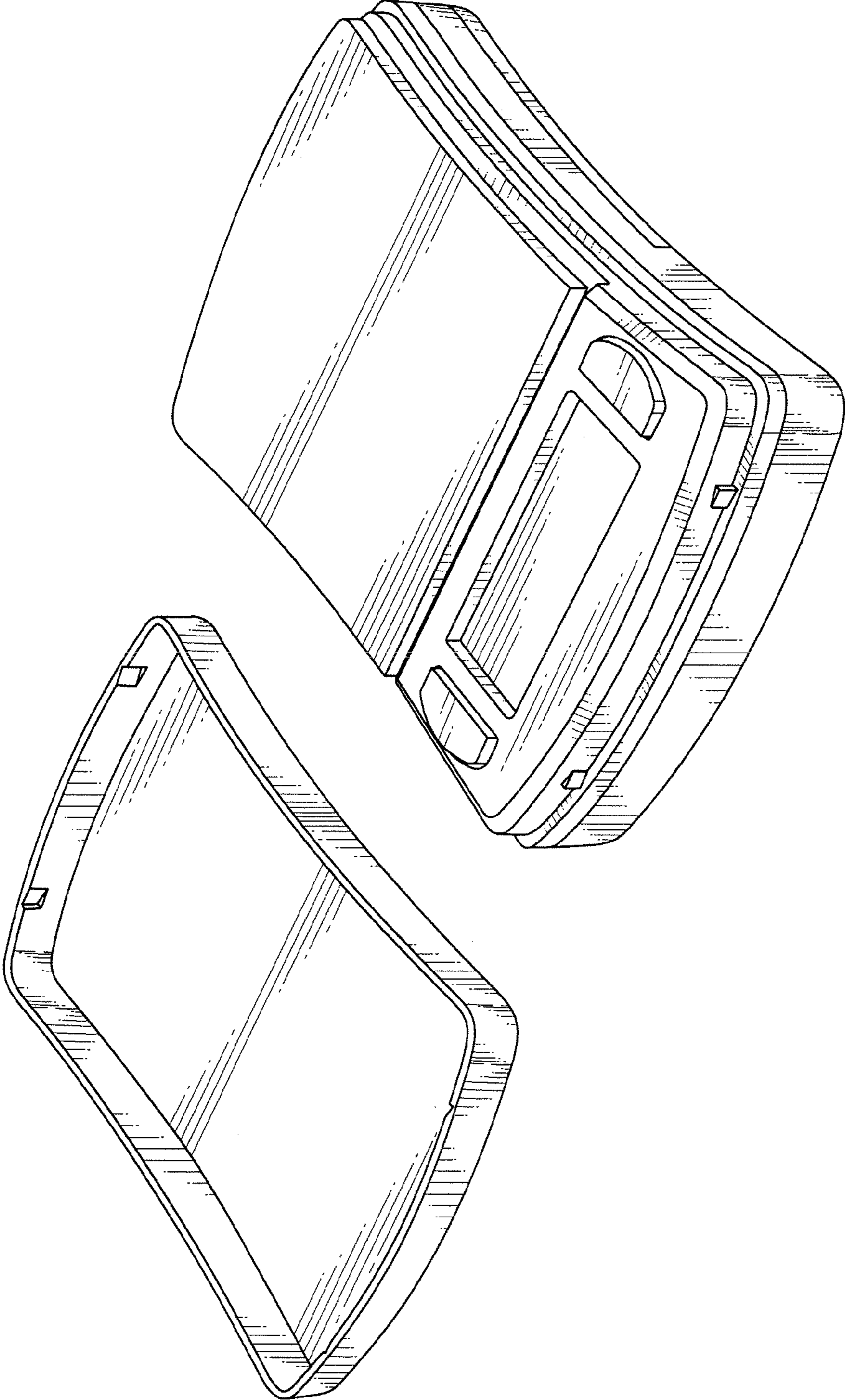


FIG. 15

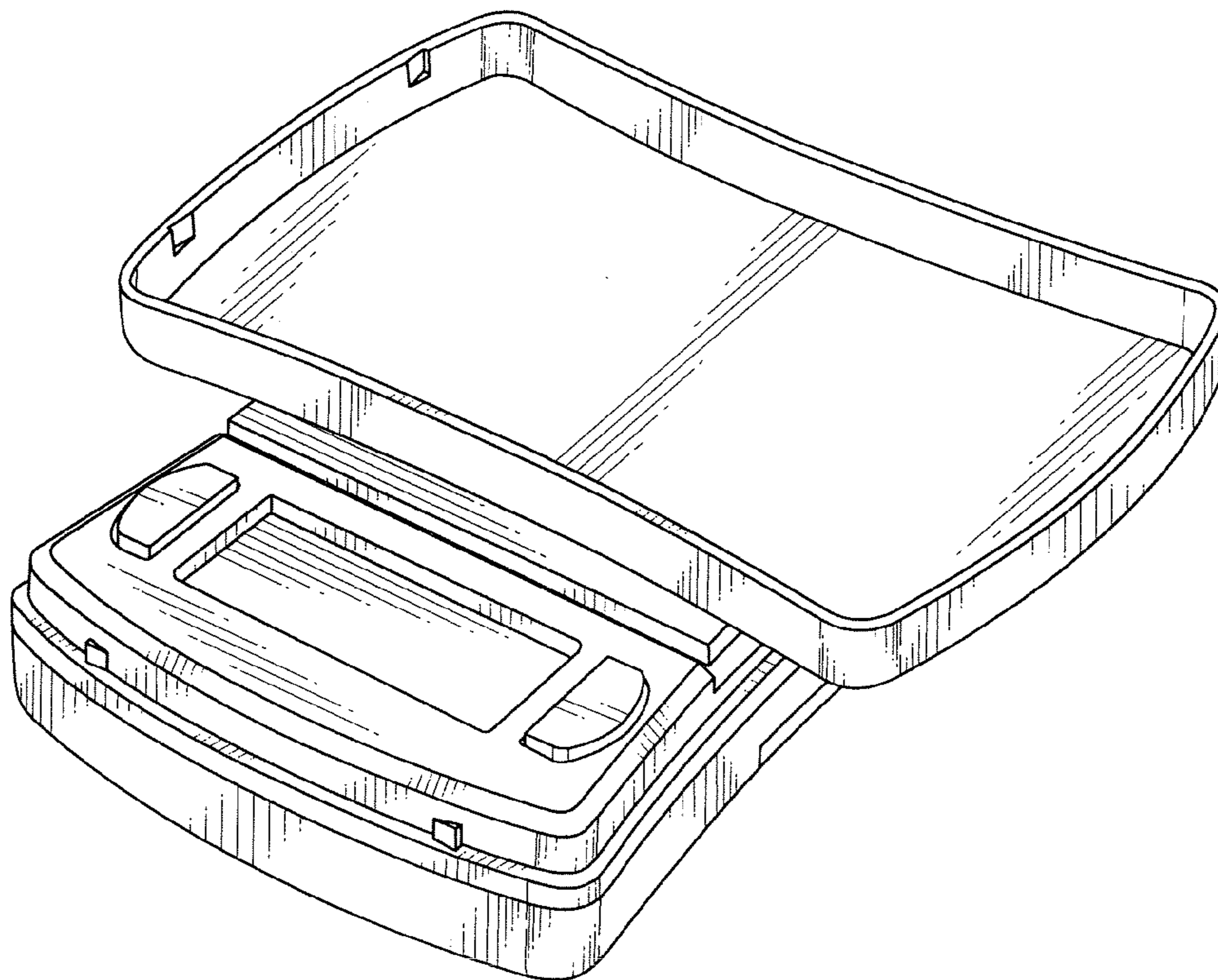


FIG. 16

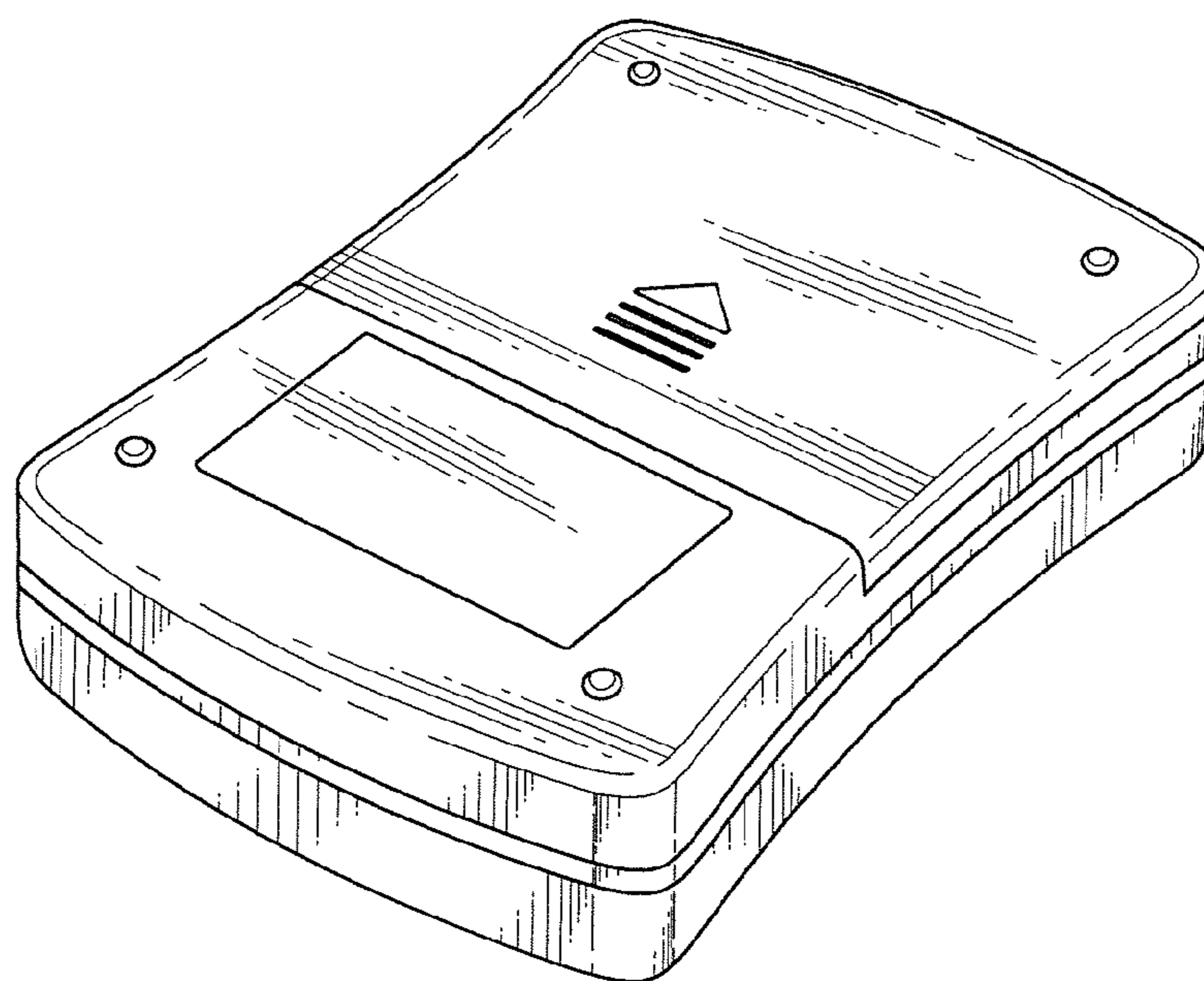


FIG. 17