



US00D682127S

(12) **United States Design Patent**  
**Wood**

(10) **Patent No.:** **US D682,127 S**

(45) **Date of Patent:** **\*\* May 14, 2013**

(54) **ARCHITECTURAL RULER**

(76) Inventor: **Paul Thomas Wood**, Mandeville, LA  
(US)

(\*\*) Term: **14 Years**

(21) Appl. No.: **29/410,625**

(22) Filed: **Jan. 10, 2012**

**Related U.S. Application Data**

(63) Continuation-in-part of application No. 12/840,339,  
filed on Jul. 21, 2010, now Pat. No. 8,096,058.

(51) **LOC (9) Cl.** ..... **10-04**

(52) **U.S. Cl.**  
USPC ..... **D10/71**

(58) **Field of Classification Search** ..... D10/71;  
33/483, 484, 485, 488; 434/188, 196  
See application file for complete search history.

(56) **References Cited**

**U.S. PATENT DOCUMENTS**

2,504,251 A \* 4/1950 Coffey ..... 33/484  
2,673,399 A \* 3/1954 Raeder ..... 33/485  
D272,421 S \* 1/1984 Sandel ..... D10/71

4,495,709 A \* 1/1985 Mainenti ..... 33/484  
D301,043 S \* 5/1989 Castle ..... D10/71  
D394,818 S \* 6/1998 Hutchins ..... D10/71  
2010/0083515 A1 \* 4/2010 Wood ..... 33/483

\* cited by examiner

*Primary Examiner* — Antoine D Davis

(74) *Attorney, Agent, or Firm* — Dale J. Ream

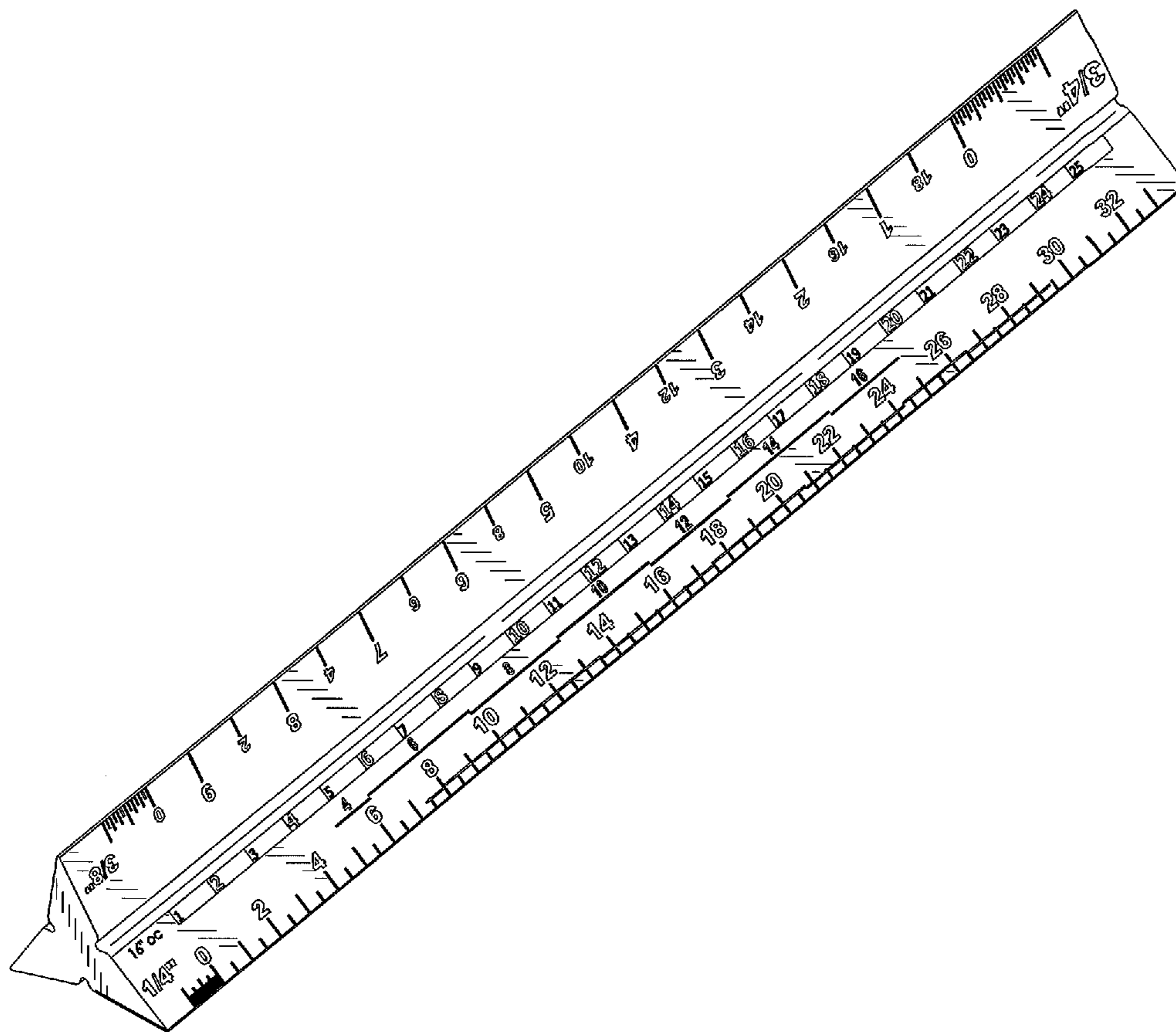
(57) **CLAIM**

The ornamental design for an architectural ruler, as shown  
and described.

**DESCRIPTION**

FIG. 1 is a perspective view of an architectural ruler showing  
my new design;  
FIG. 2 is a front view thereof;  
FIG. 3 is a back view thereof;  
FIG. 4 is a top view thereof;  
FIG. 5 is a bottom view thereof;  
FIG. 6 is a left side view thereof;  
FIG. 7 is a right side view thereof; and,  
FIG. 8 is an enlarged sectional view of FIG. 6.

**1 Claim, 4 Drawing Sheets**



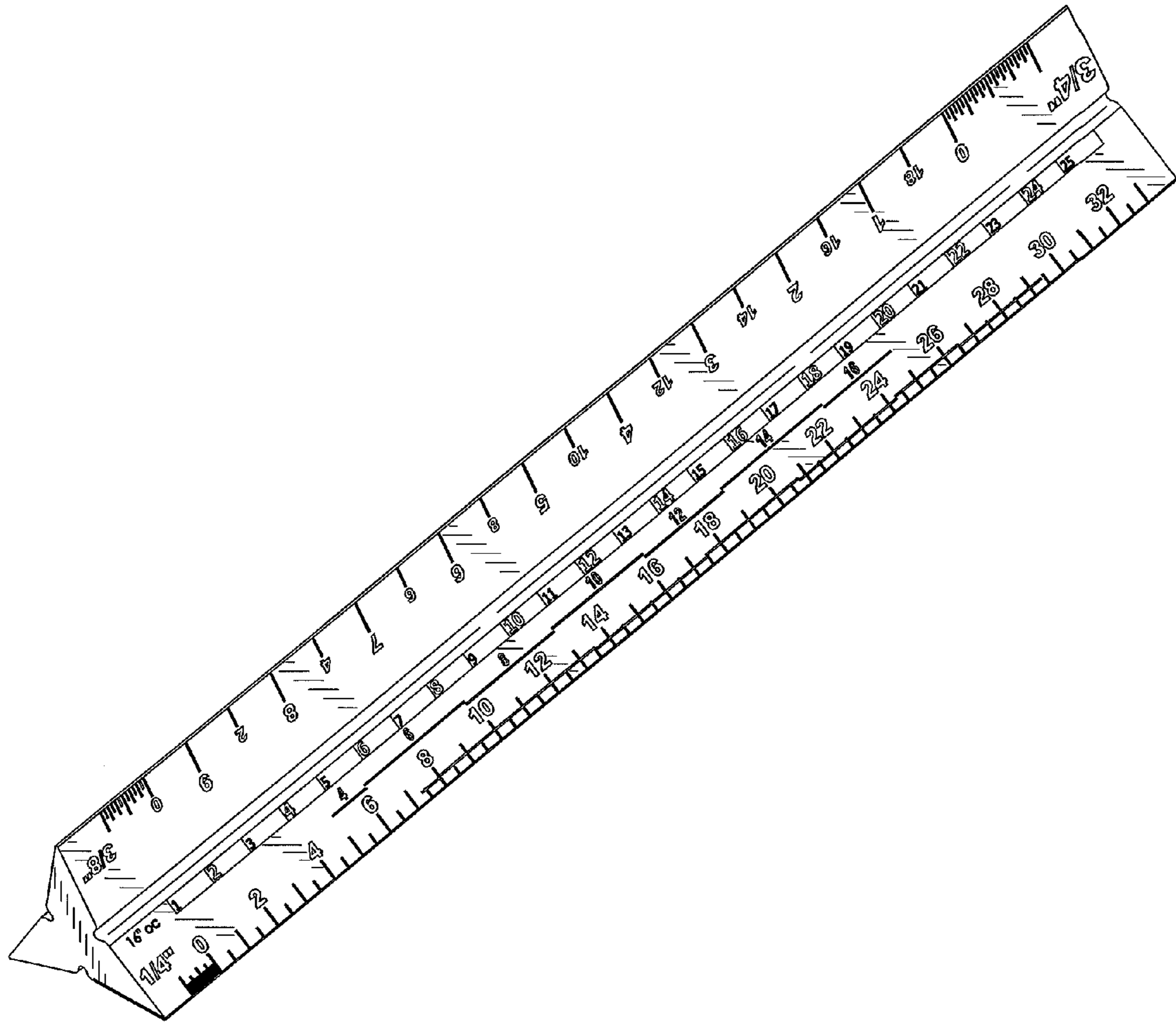


Fig. 1

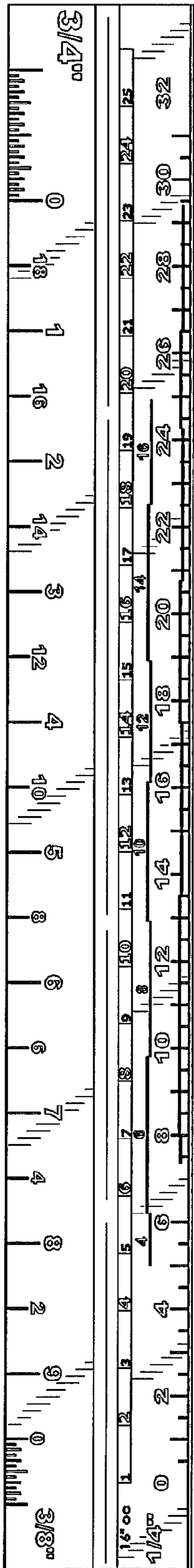


Fig. 2

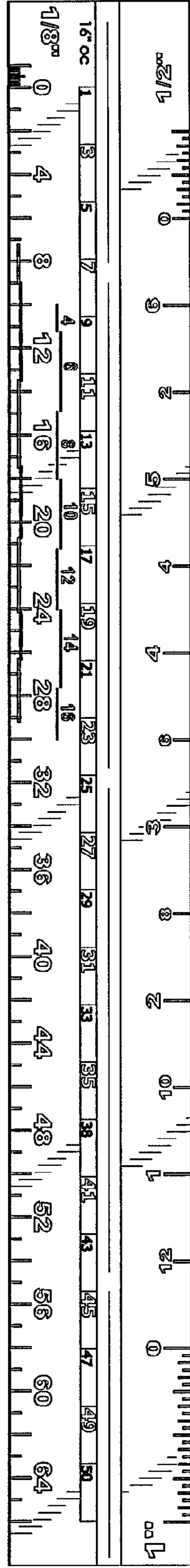


Fig. 3

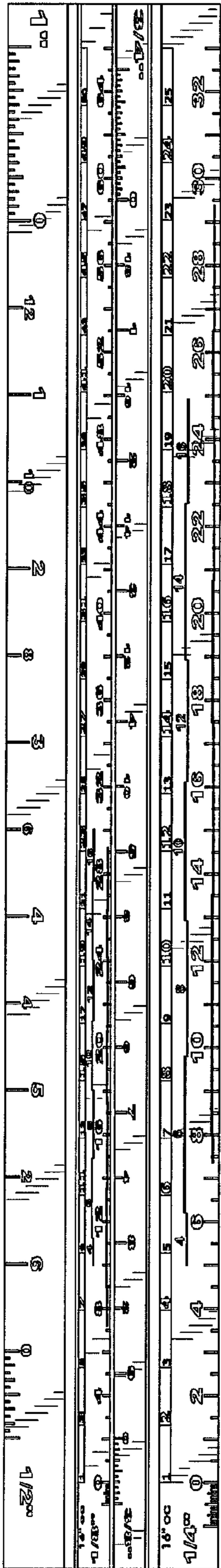


Fig. 4

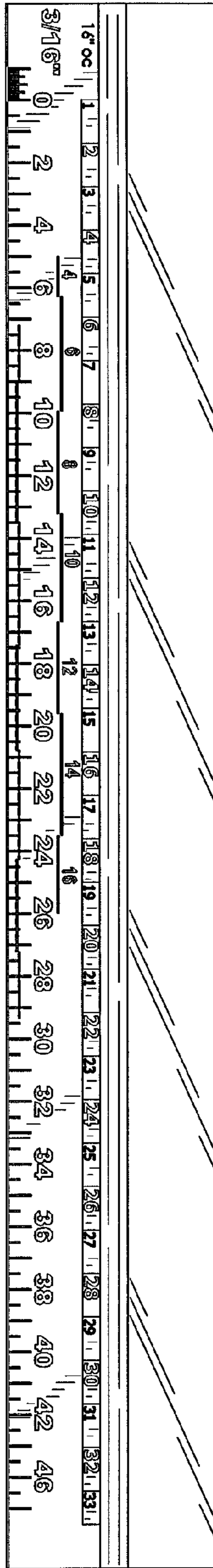


Fig. 5

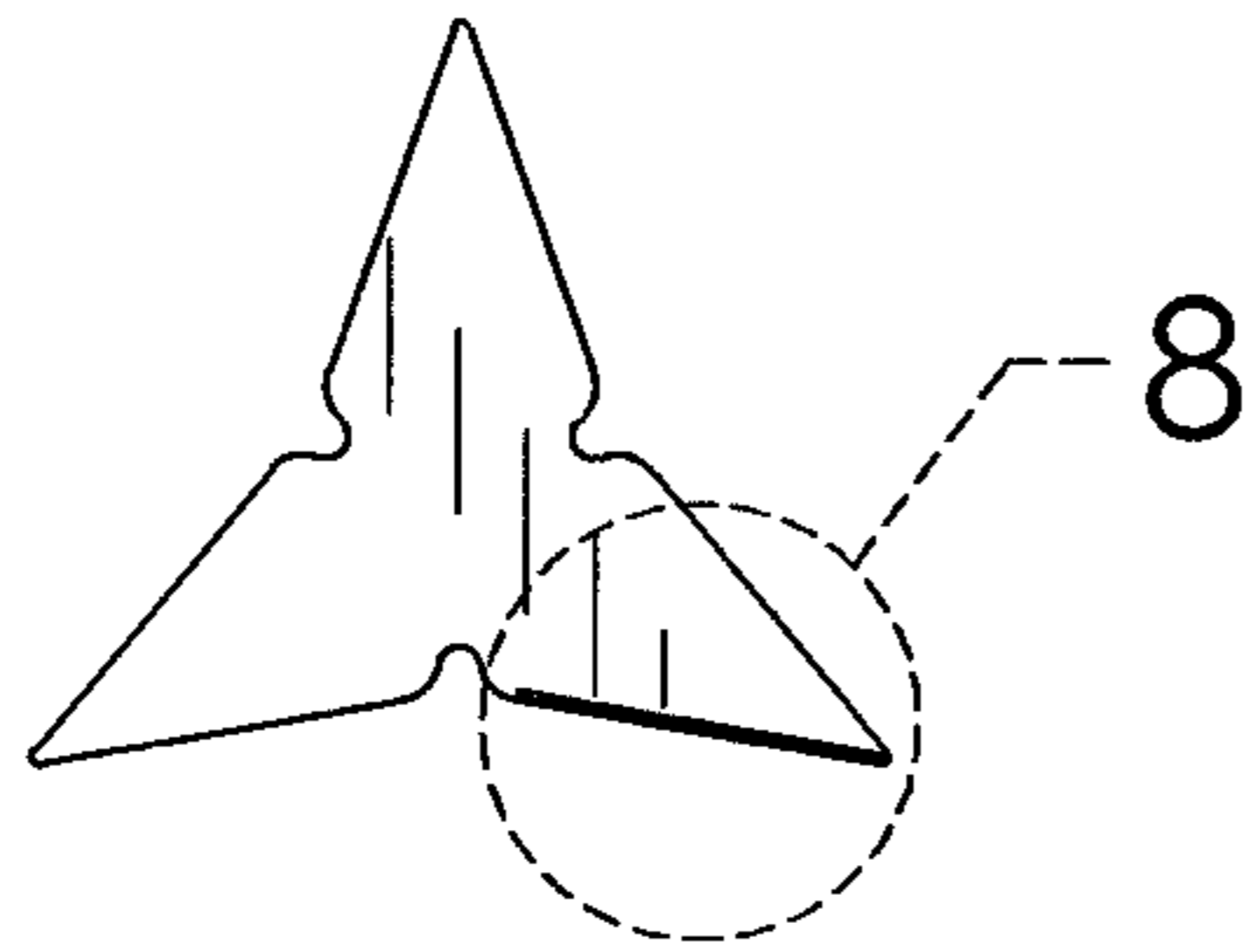


Fig. 6

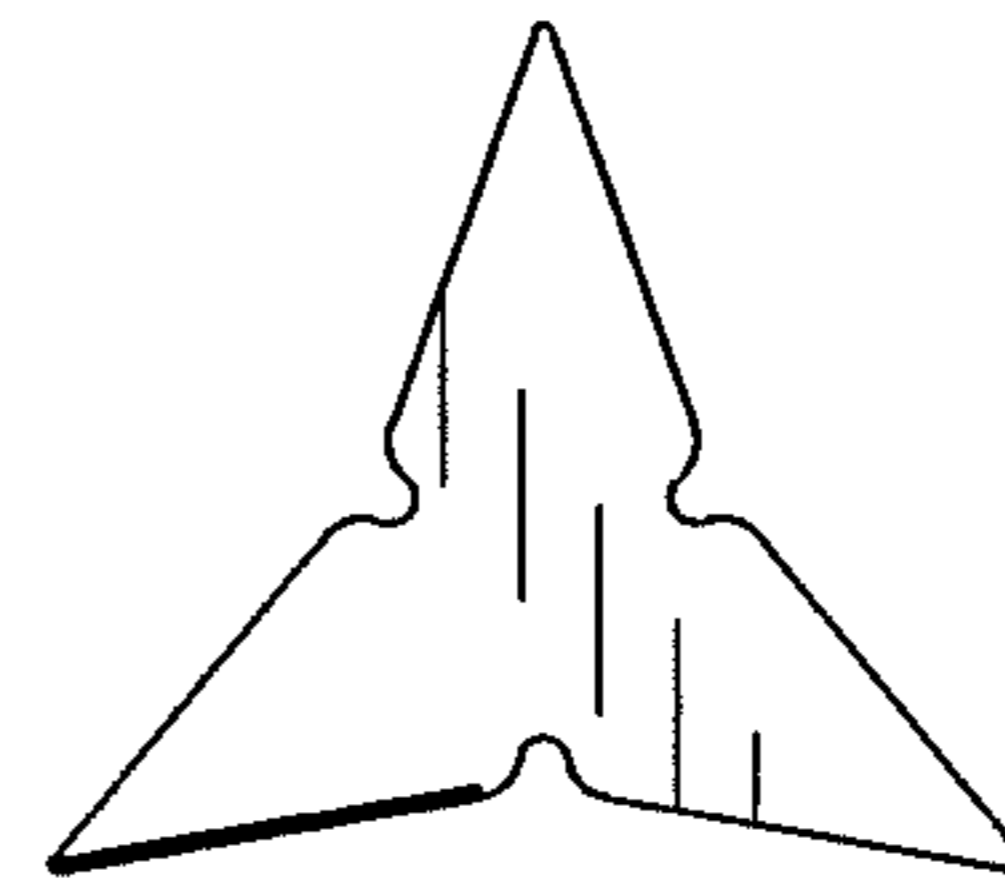


Fig. 7

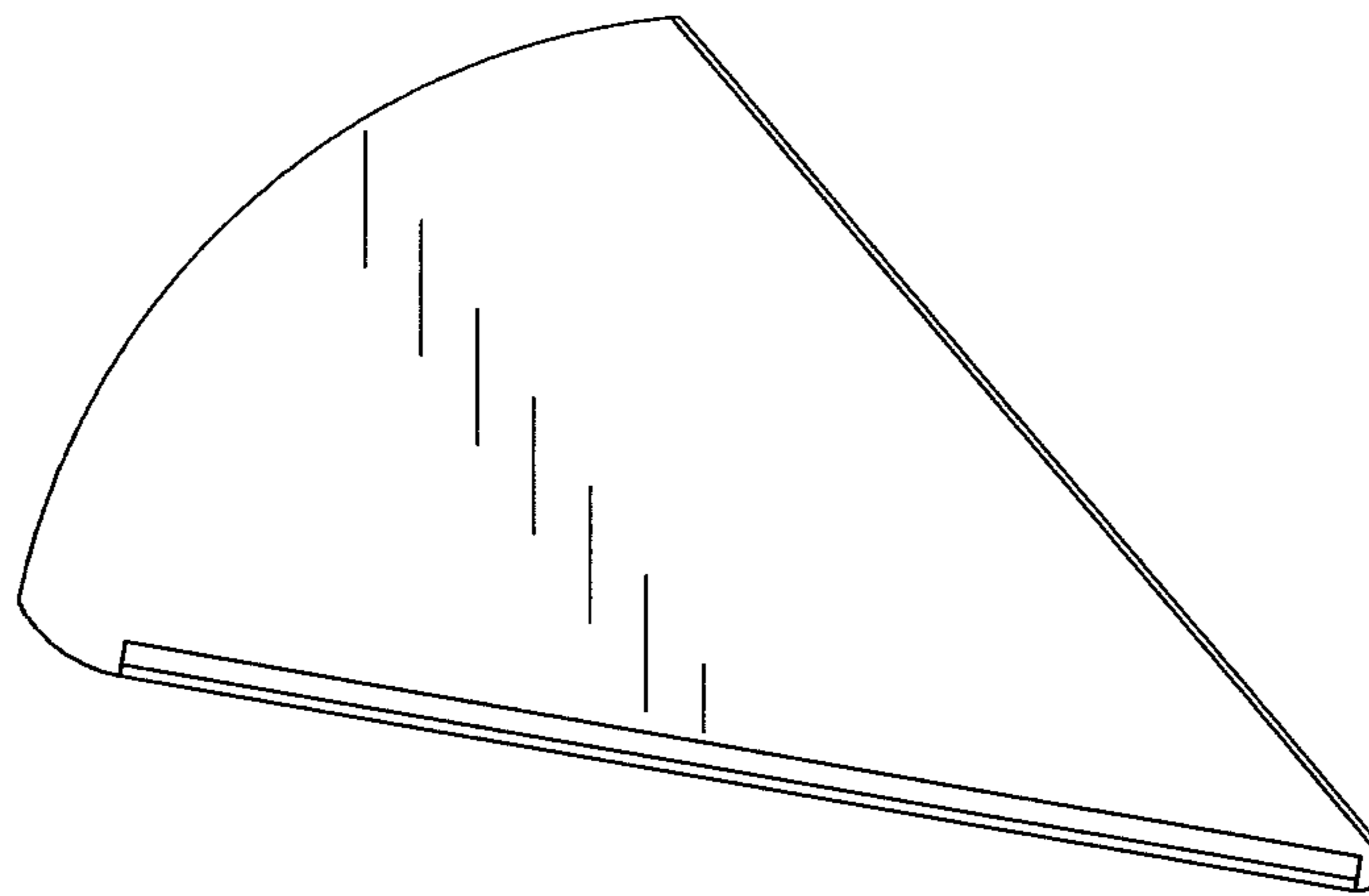


Fig. 8