



US00D682125S

(12) **United States Design Patent**
Ranzau

(10) **Patent No.:** **US D682,125 S**

(45) **Date of Patent:** **** May 14, 2013**

(54) **BOW MAKING TEMPLATE**

(71) Applicant: **Karyn E. Ranzau**, Louisville, KY (US)

(72) Inventor: **Karyn E. Ranzau**, Louisville, KY (US)

(**) Term: **14 Years**

(21) Appl. No.: **29/433,227**

(22) Filed: **Sep. 27, 2012**

Related U.S. Application Data

(62) Division of application No. 29/419,672, filed on Apr. 30, 2012, now Pat. No. Des. 670,580, which is a division of application No. 29/397,453, filed on Jul. 15, 2011, now Pat. No. Des. 665,678.

(51) **LOC (9) Cl.** **10-04**

(52) **U.S. Cl.**
USPC **D10/64**

(58) **Field of Classification Search** D10/64;
33/562-566; 68/147; 223/46

See application file for complete search history.

(56) **References Cited**

U.S. PATENT DOCUMENTS

D644,541 S * 9/2011 Schrader et al. D10/64
2011/0024467 A1* 2/2011 Fuentes 223/46

* cited by examiner

Primary Examiner — Antoine D Davis

(74) *Attorney, Agent, or Firm* — Dinsmore & Shohl, LLP

(57) **CLAIM**

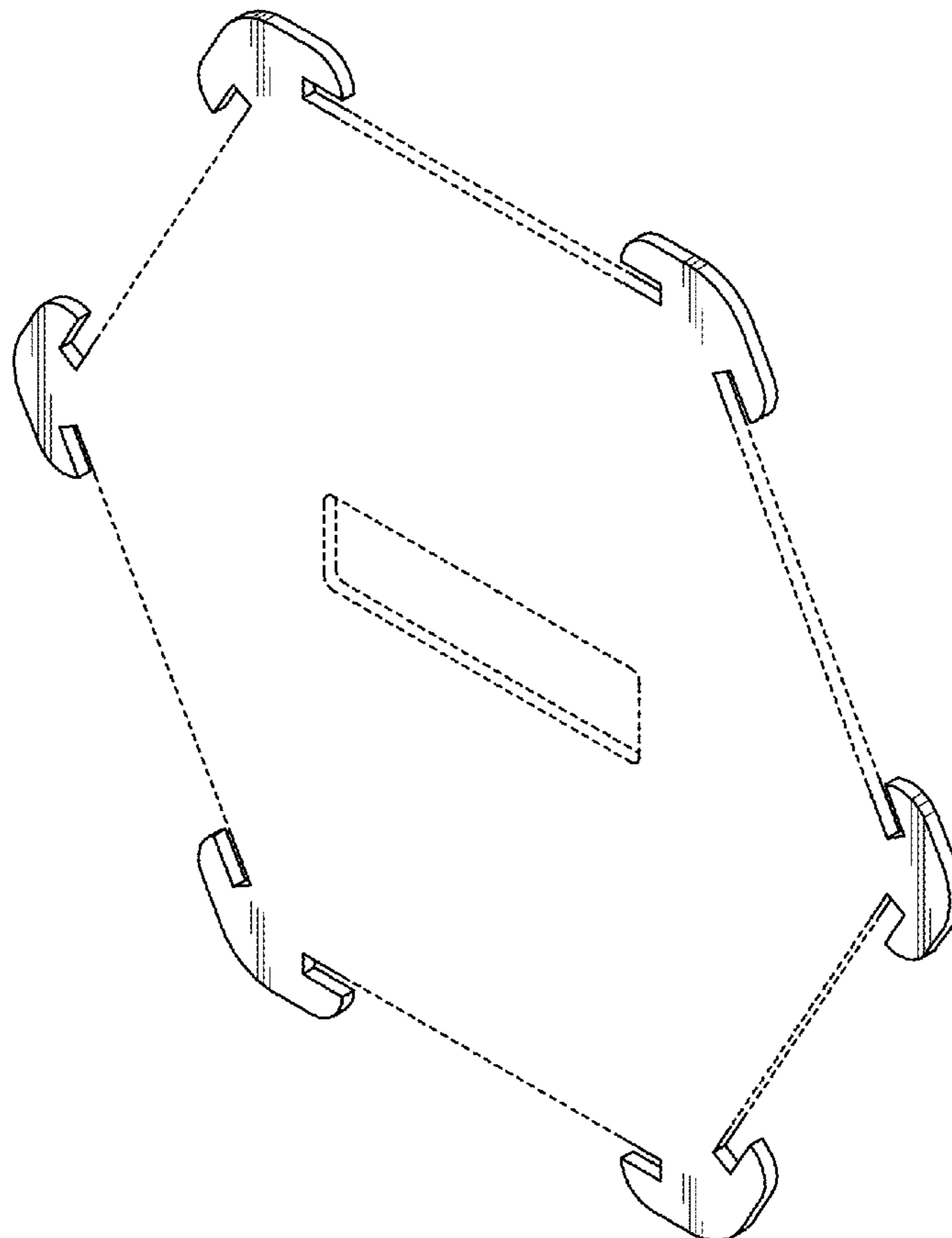
The ornamental design of a bow making template, as shown and described.

DESCRIPTION

FIG. 1 shows a perspective view of a bow making template; FIG. 2 shows a top side view thereof; FIG. 3 shows a top view thereof, and the bottom view is a mirror image of the top view; FIG. 4 shows a bottom side view thereof; FIG. 5 shows a left side view thereof; and, FIG. 6 shows a right side view thereof.

Broken lines are for illustrative purposes only and do not form part of the design sought to be patented.

1 Claim, 3 Drawing Sheets



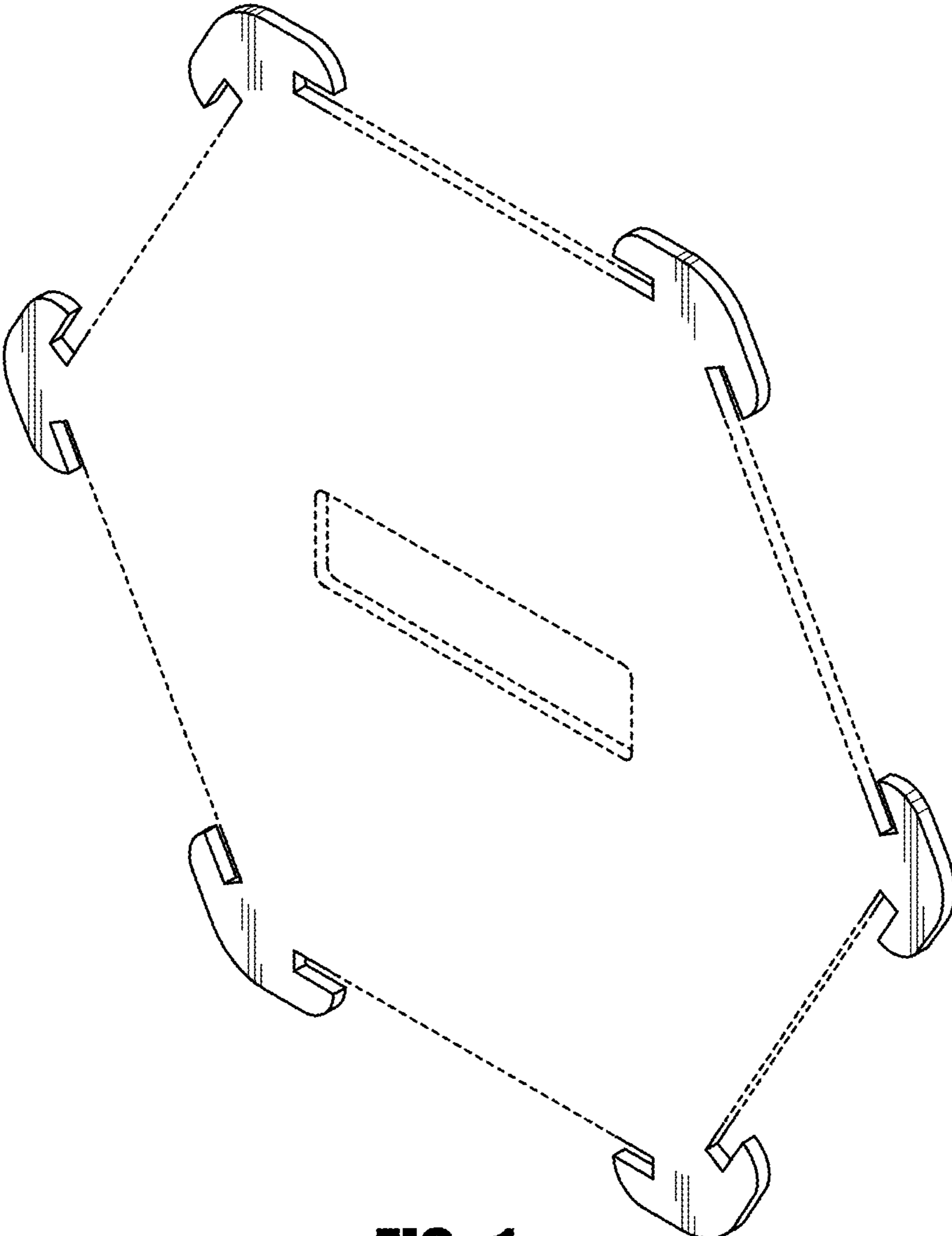


FIG. 1

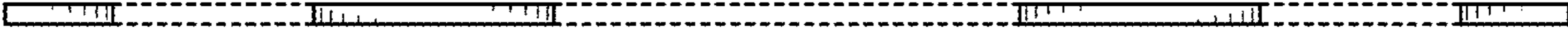


FIG. 2

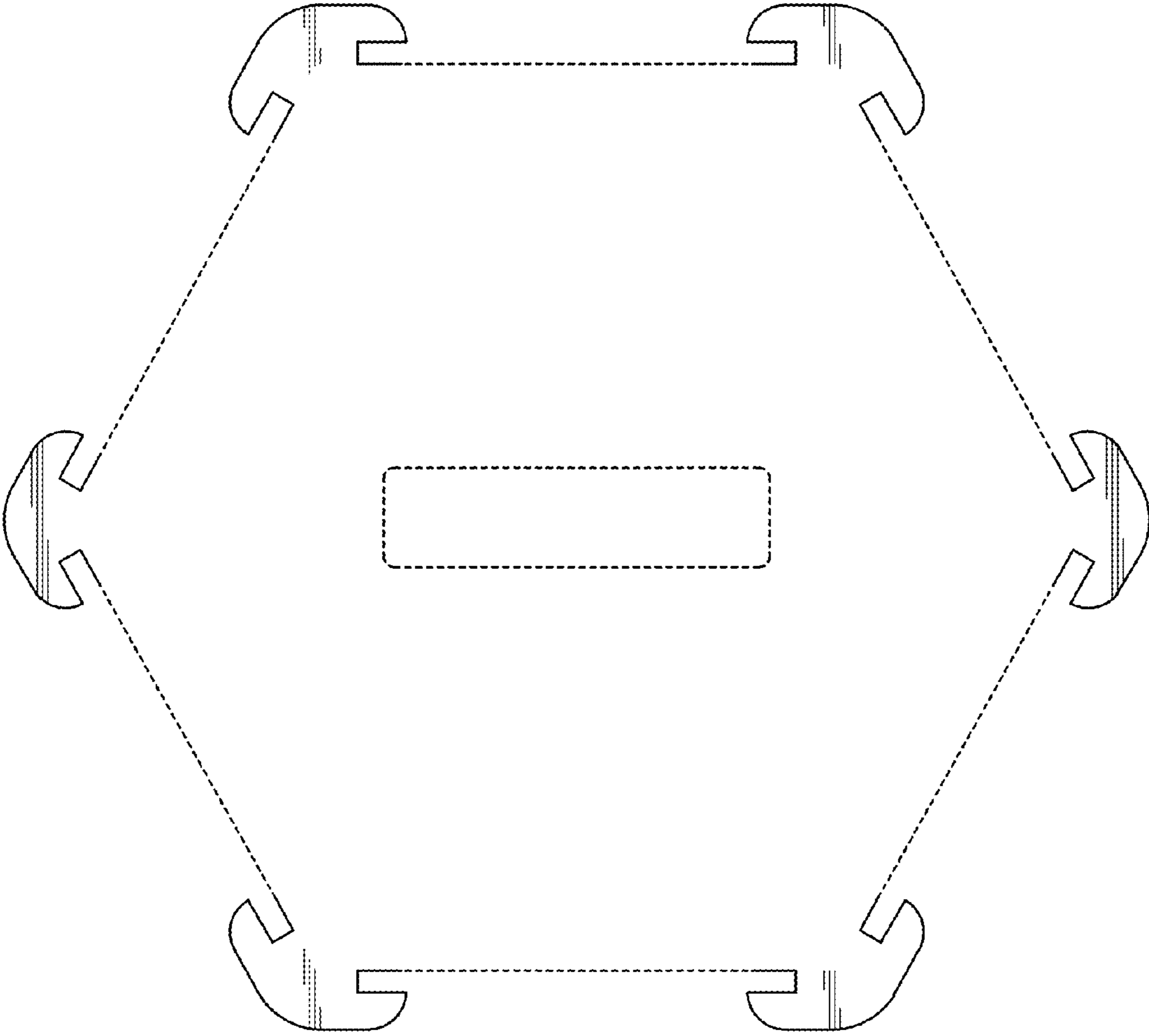


FIG. 3



FIG. 4



FIG. 5



FIG. 6