



US00D682123S

(12) **United States Design Patent**  
**Robinson**

(10) **Patent No.:** **US D682,123 S**

(45) **Date of Patent:** **\*\* May 14, 2013**

(54) **DECKING TEMPLATE**

(76) Inventor: **Neil Robinson**, Edgewater (AU)

(\*\*) Term: **14 Years**

(21) Appl. No.: **29/408,897**

(22) Filed: **Dec. 19, 2011**

(30) **Foreign Application Priority Data**

Jun. 20, 2011 (AU) ..... 12787/2011

(51) **LOC (9) Cl.** ..... **10-04**

(52) **U.S. Cl.**  
USPC ..... **D10/64**

(58) **Field of Classification Search** ..... D10/64,  
D10/65; 33/193-197, 476, 486, 487, 498,  
33/562, 563

See application file for complete search history.

(56) **References Cited**

**U.S. PATENT DOCUMENTS**

4,928,399	A *	5/1990	Kragt	.....	33/562
5,456,015	A *	10/1995	Butcher et al.	.....	33/451
D393,218	S *	4/1998	Brickman	.....	D10/64
5,797,192	A *	8/1998	Curtis	.....	33/526
5,960,554	A *	10/1999	Kamykowski	.....	33/562

D455,085	S *	4/2002	Dawson	.....	D10/64
D472,825	S *	4/2003	Davis	.....	D10/64
D563,803	S *	3/2008	McMorris et al.	.....	D10/64
D637,501	S *	5/2011	Begin et al.	.....	D10/64
D667,322	S *	9/2012	Madrack	.....	D10/65
D668,562	S *	10/2012	Madrack	.....	D10/65

\* cited by examiner

*Primary Examiner* — Mark Goodwin

(74) *Attorney, Agent, or Firm* — Bachman & LaPointe, P.C.

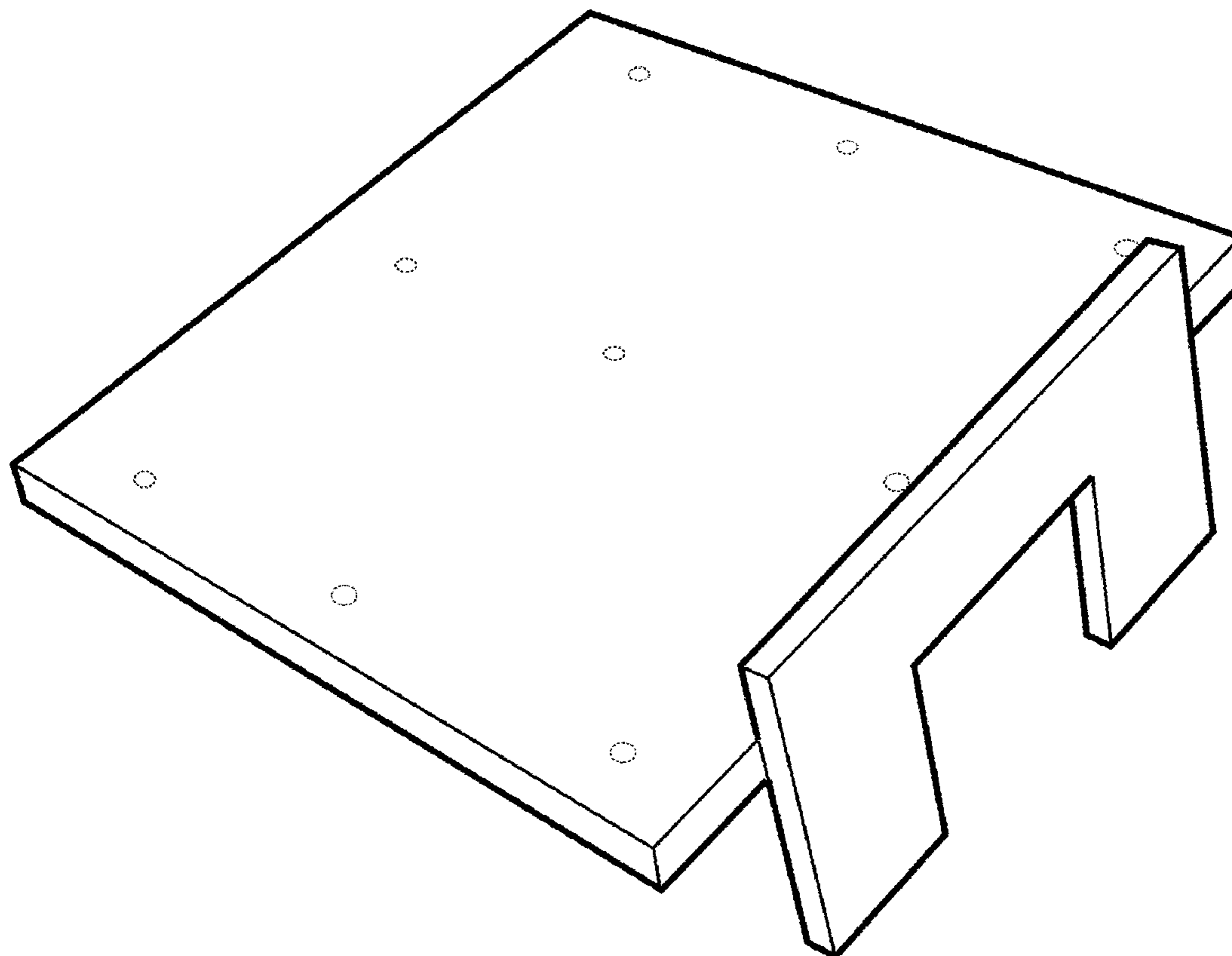
(57) **CLAIM**

The ornamental design for a decking template, as shown.

**DESCRIPTION**

FIG. 1 is a top perspective view of a decking template.  
 FIG. 2 is a bottom perspective view of the decking template.  
 FIG. 3 is a top plan view of the decking template.  
 FIG. 4 is a bottom plan view of the decking template.  
 FIG. 5 is a left side view of the decking template.  
 FIG. 6 is a right side view of the decking template.  
 FIG. 7 is a front view of the decking template; and,  
 FIG. 8 is a rear view of the decking template.  
 The broken line showing of holes does not form a portion of the design.

**1 Claim, 3 Drawing Sheets**



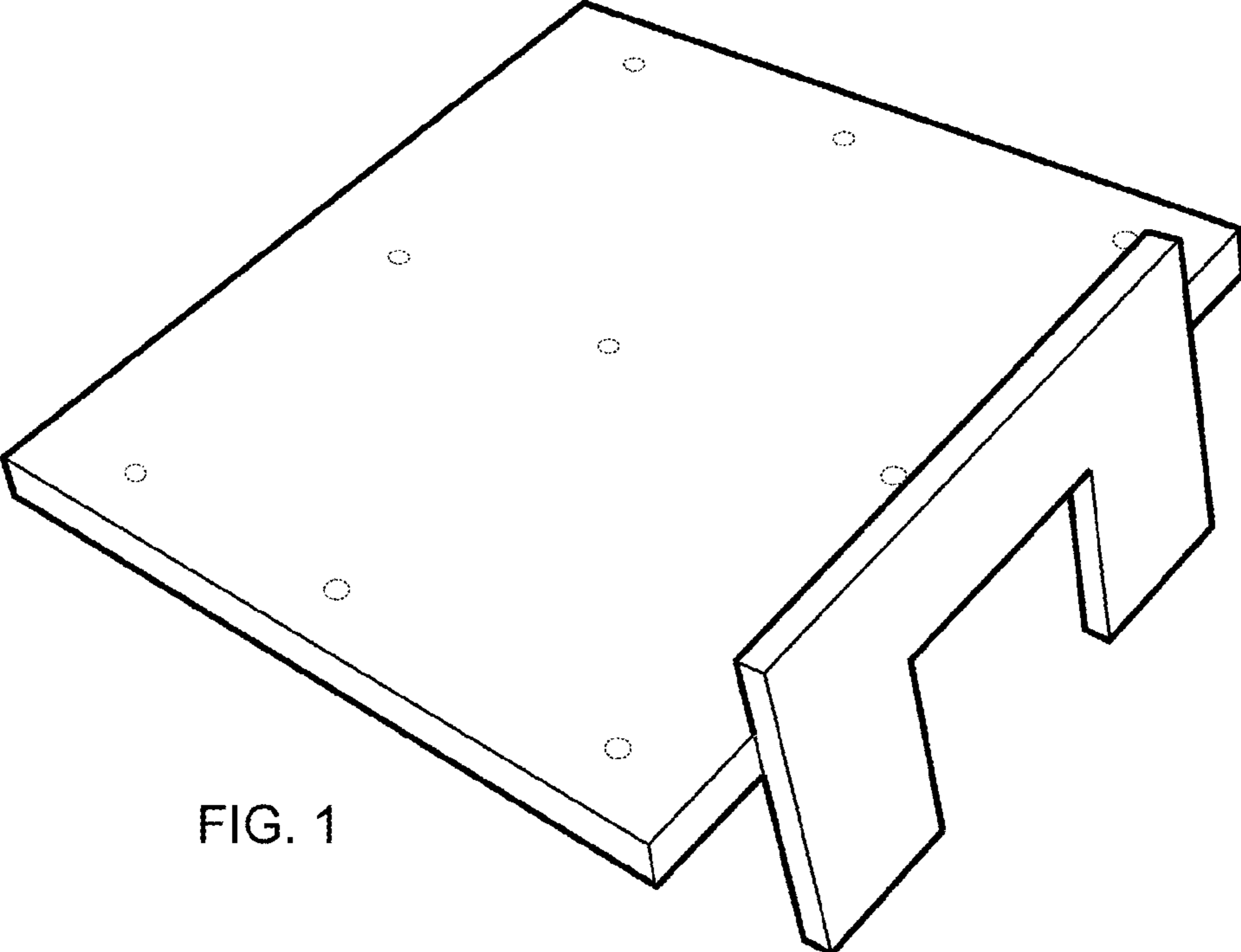


FIG. 1

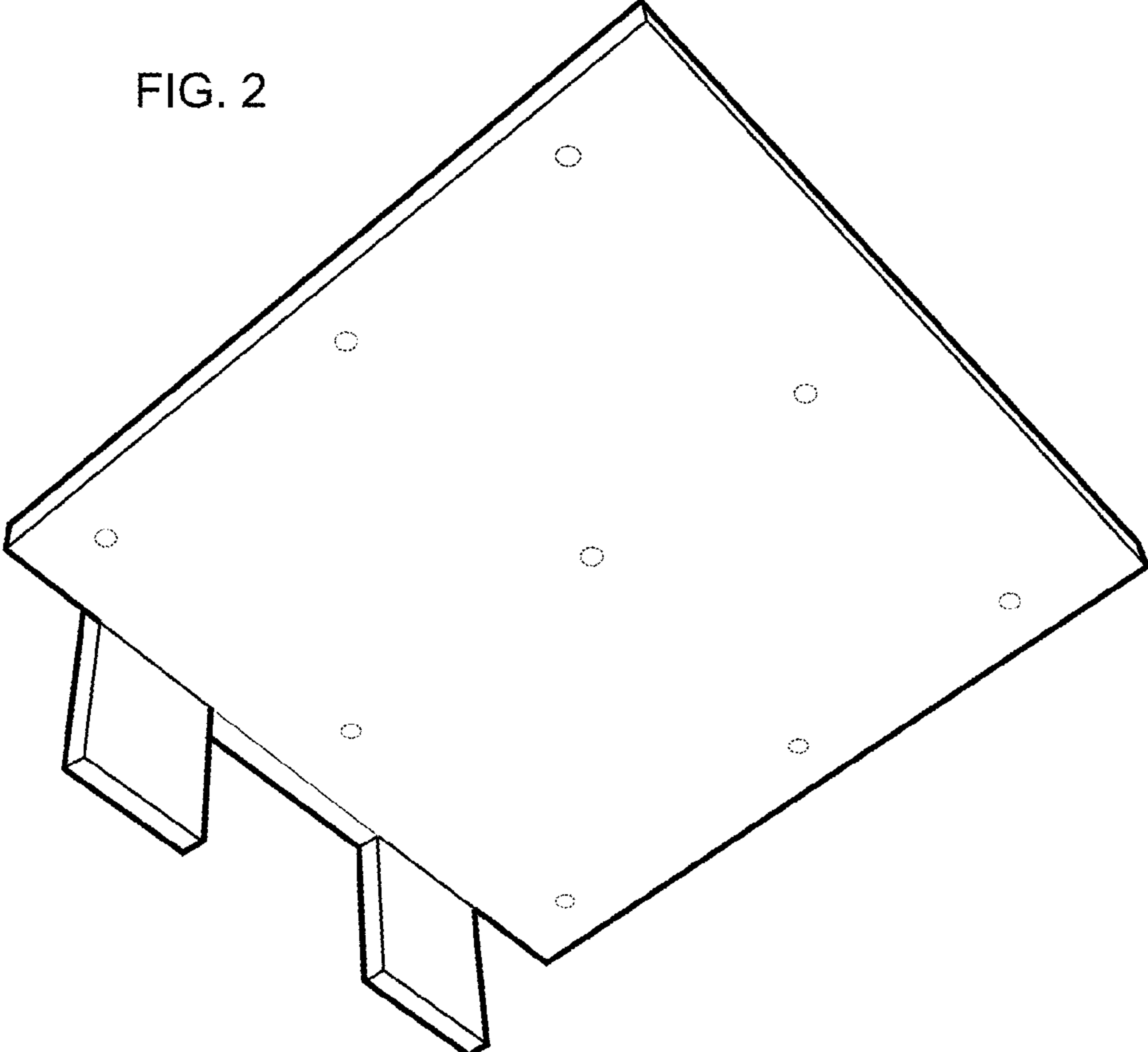


FIG. 2

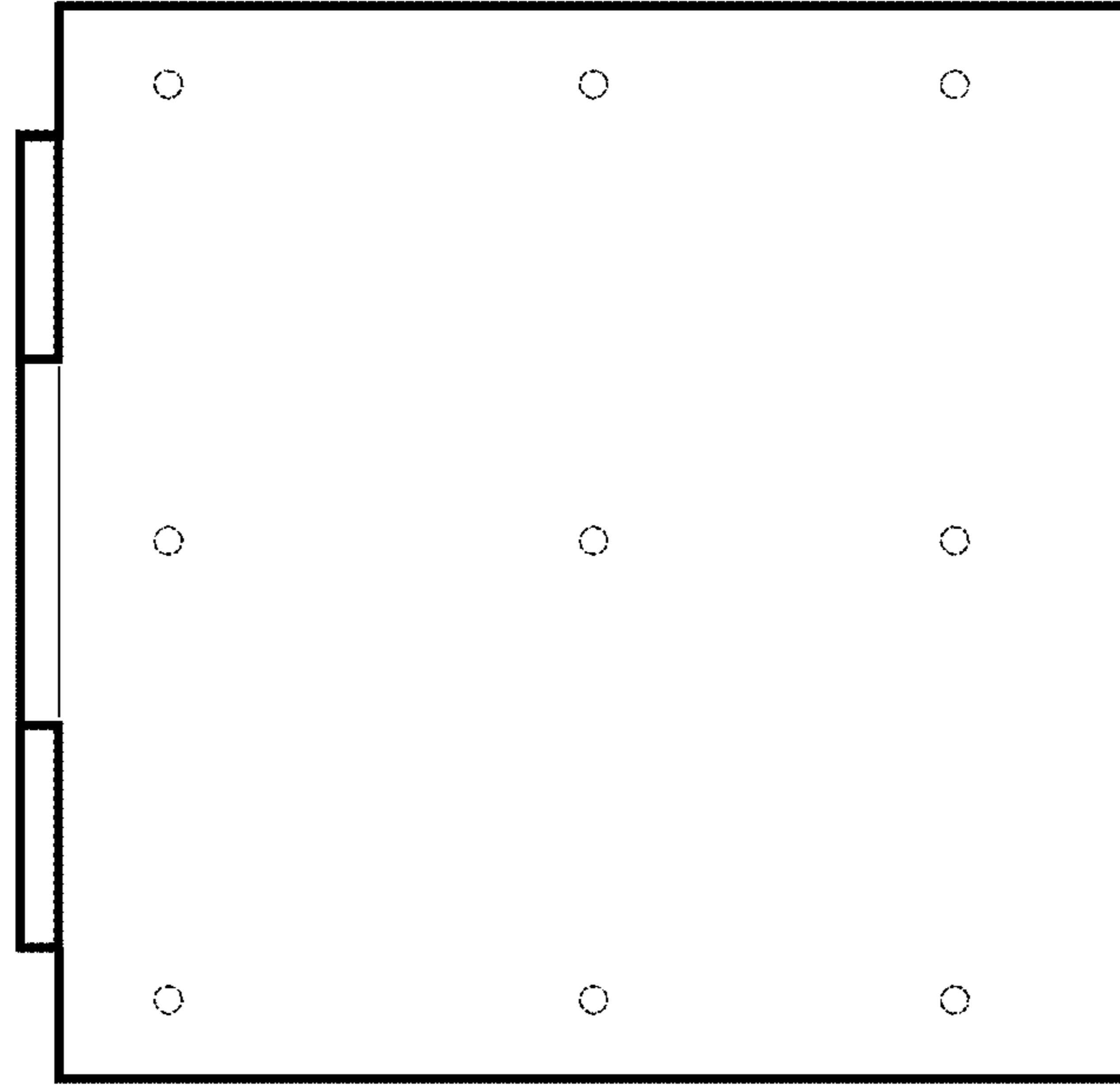


FIG. 4

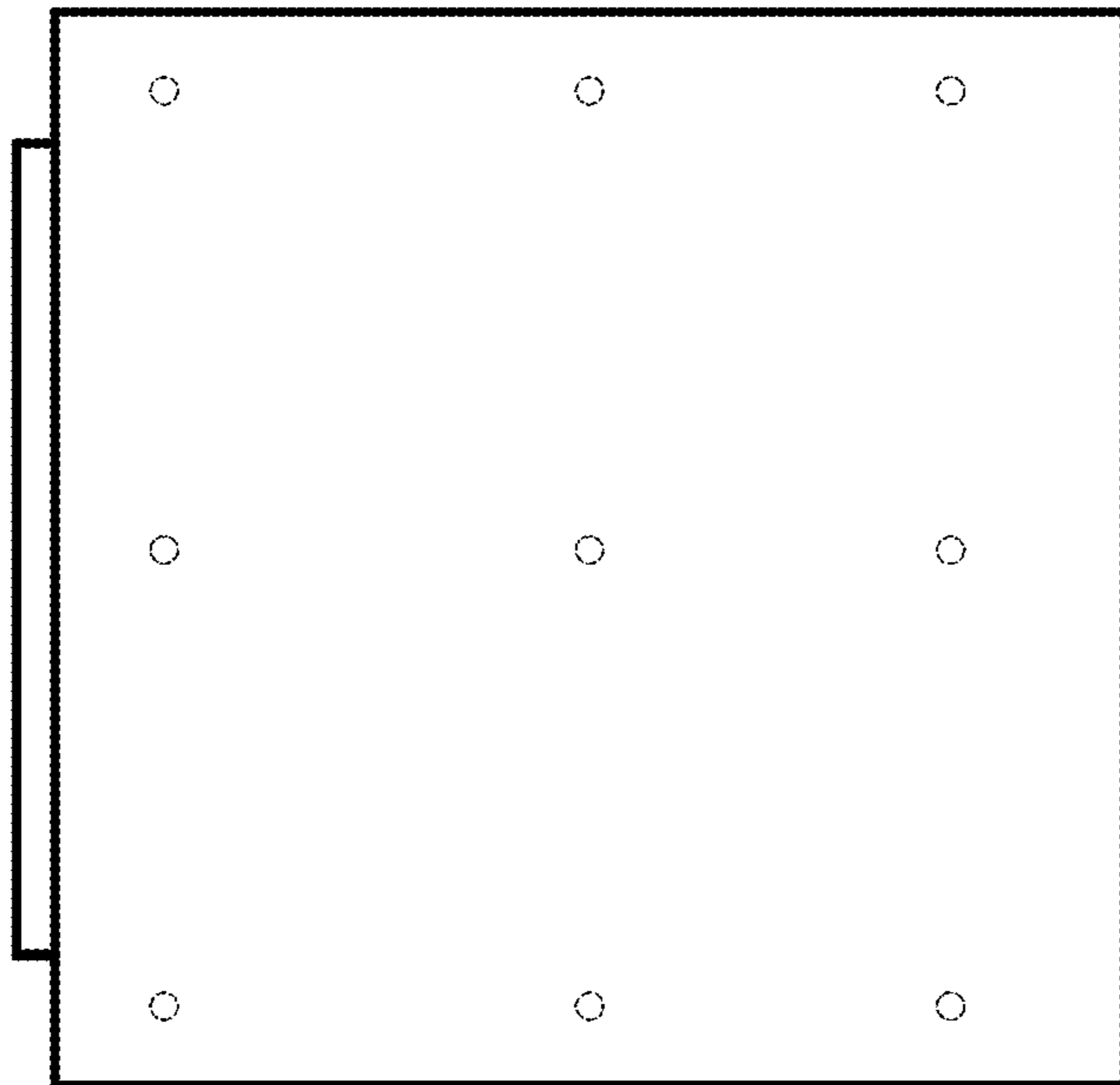


FIG. 3

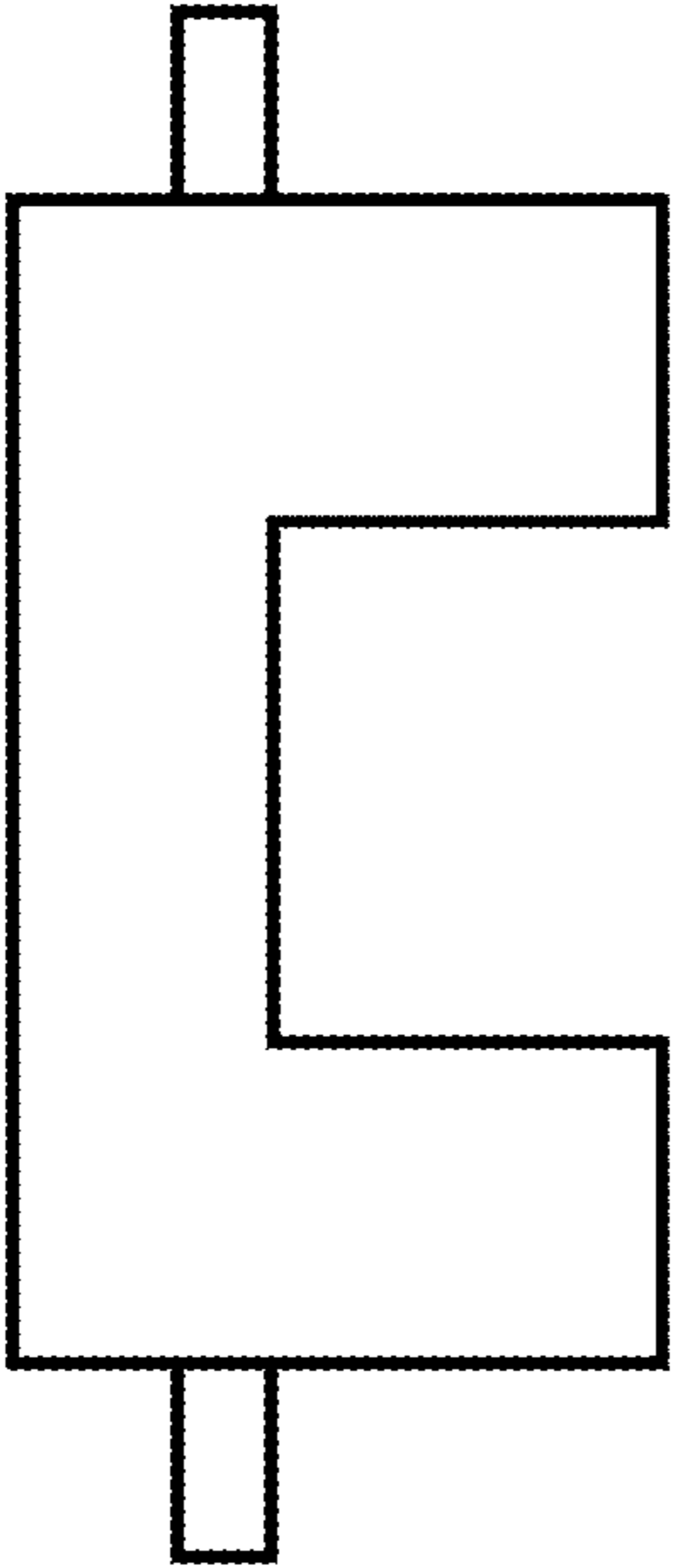


FIG. 7

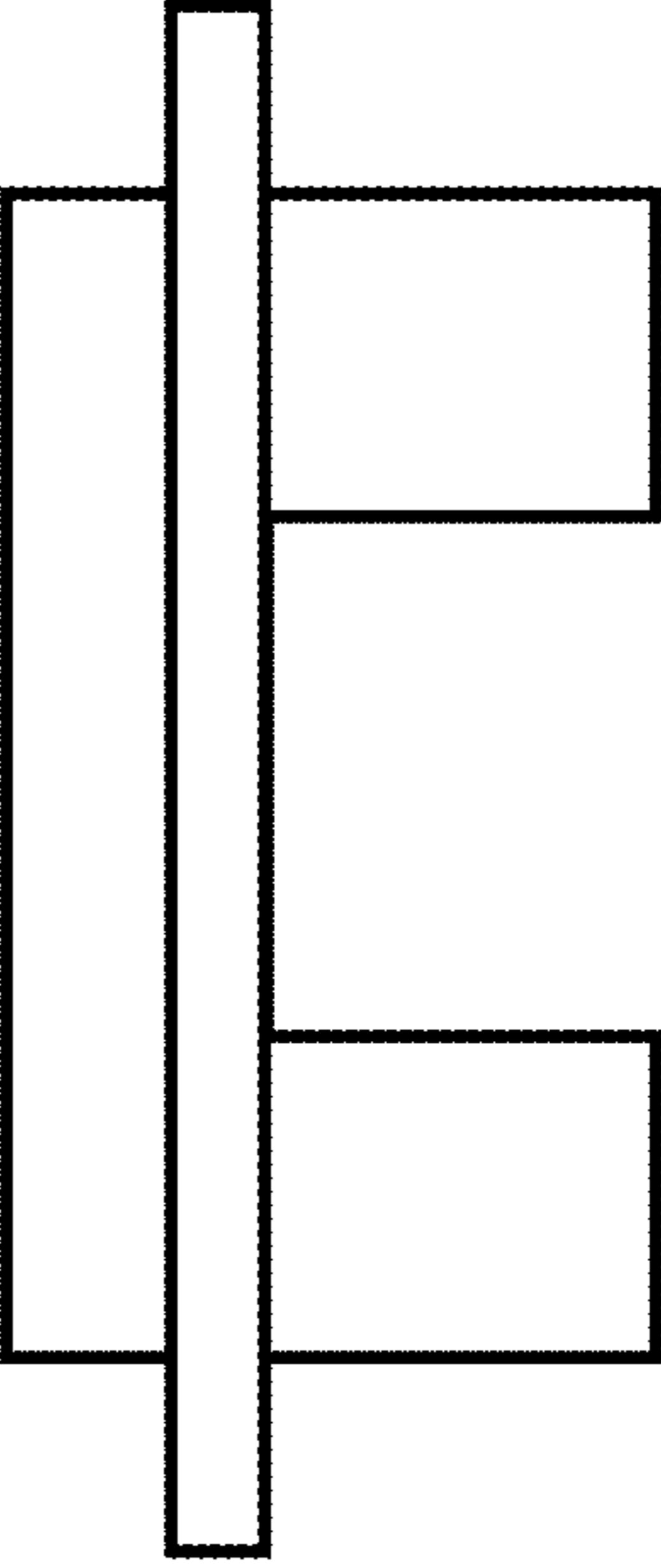


FIG. 8

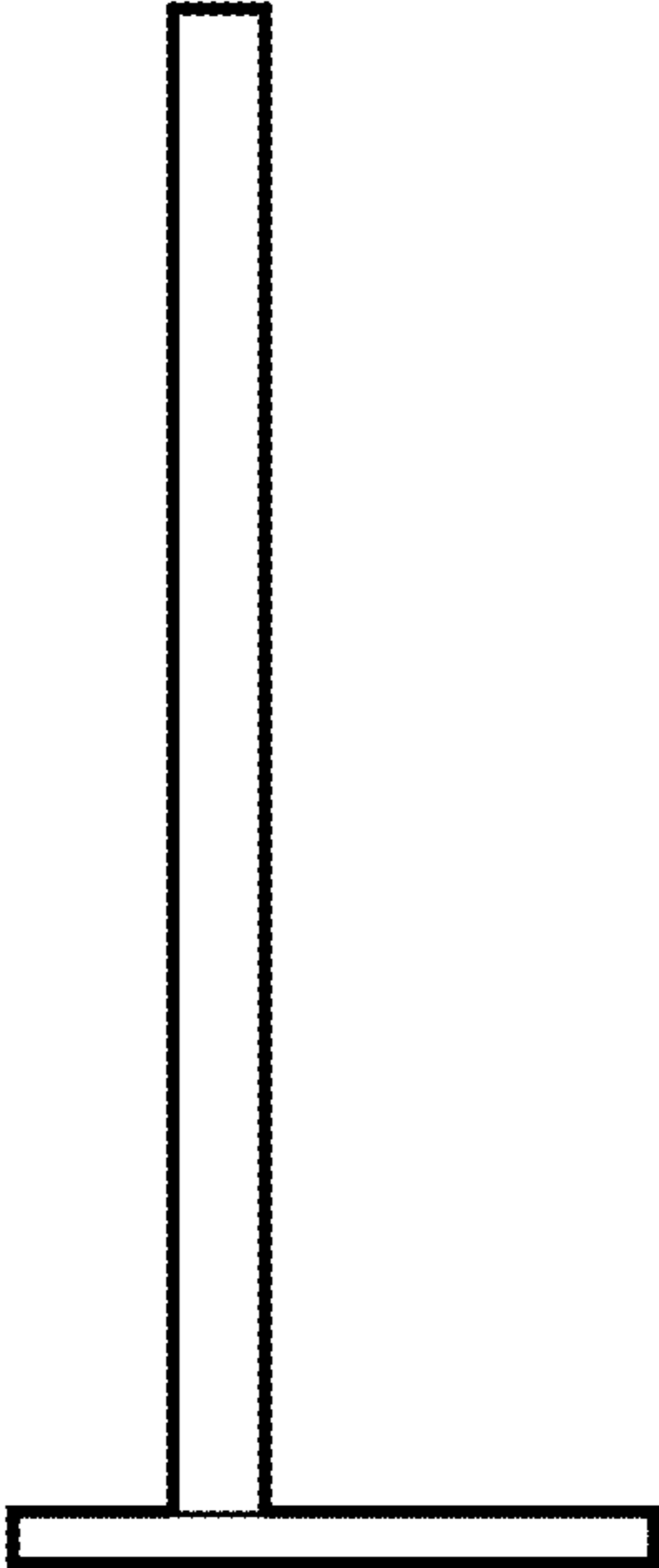


FIG. 5

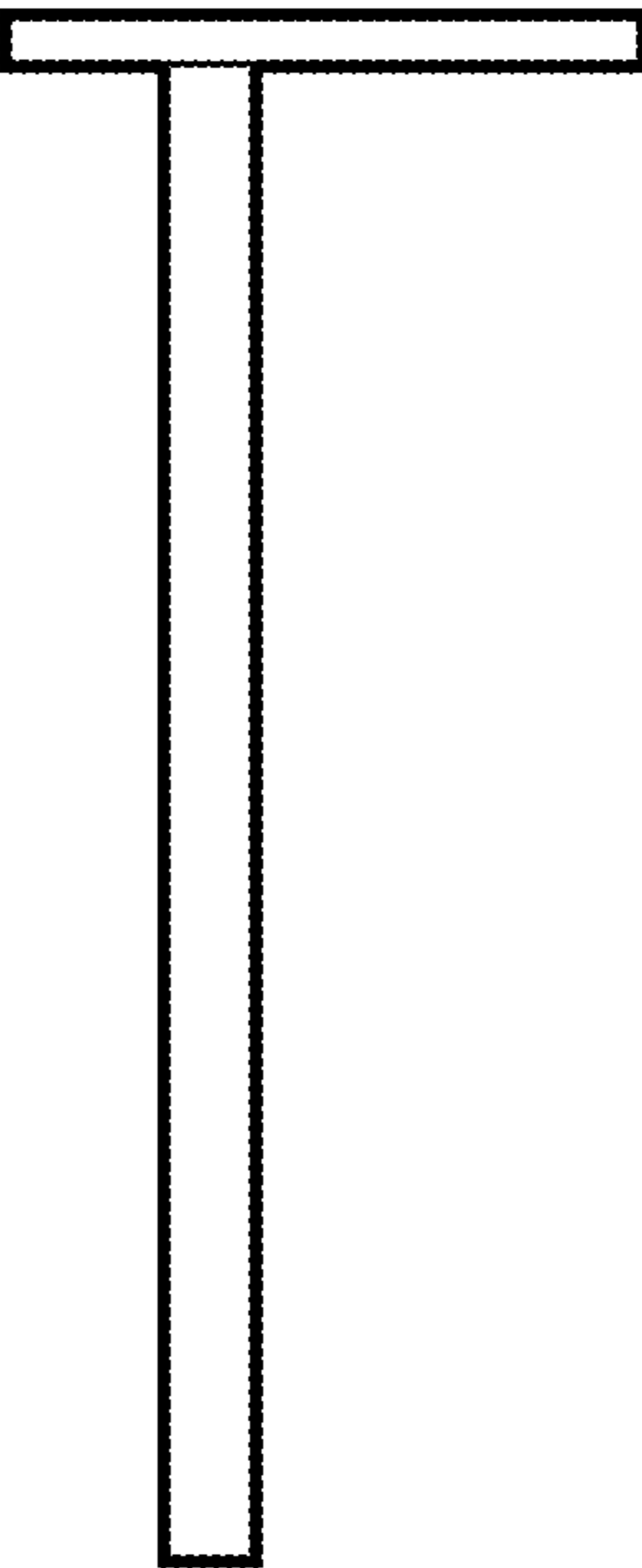


FIG. 6