



US00D682120S

(12) **United States Design Patent**
Attard

(10) **Patent No.:** **US D682,120 S**

(45) **Date of Patent:** **** May 14, 2013**

(54) **EGG AND FOOD CARTON**

(76) Inventor: **Jonathan Attard**, Adelaide (AU)

(**) Term: **14 Years**

(21) Appl. No.: **29/408,184**

(22) Filed: **Dec. 8, 2011**

(30) **Foreign Application Priority Data**

Jul. 29, 2011 (AU) 338186

(51) **LOC (9) Cl.** **09-03**

(52) **U.S. Cl.**
USPC **D9/757**; D9/762

(58) **Field of Classification Search** D9/762,
D9/757, 737, 761, 420, 425, 426, 456; D7/611;
206/521, 521.1, 521.3, 521.4, 521.6, 521.8,
206/521.9, 564; 220/508, 505, 507, 521,
220/531, 367.1, 406; 229/406

See application file for complete search history.

(56) **References Cited**

U.S. PATENT DOCUMENTS

3,655,110	A	*	4/1972	Eisenbach	229/406
D385,780	S	*	11/1997	Krupa et al.	D9/757
D403,956	S	*	1/1999	Herbruck	D9/762
D405,362	S	*	2/1999	Herbruck	D9/762
D405,363	S	*	2/1999	Herbruck	D9/762
D405,364	S	*	2/1999	Herbruck	D9/762
D405,365	S	*	2/1999	Herbruck	D9/762
D405,366	S	*	2/1999	Herbruck	D9/762
D409,483	S	*	5/1999	Herbruck	D9/762

D412,277	S	*	7/1999	Herbruck	D9/762
D418,405	S	*	1/2000	Herbruck	D9/762
D466,802	S	*	12/2002	Davkovski	D9/757
6,488,152	B1	*	12/2002	Steffann	206/521.1
D484,796	S	*	1/2004	Buckley	D9/757
D491,463	S	*	6/2004	Zelina et al.	D9/757
D506,932	S	*	7/2005	Ramirez	D9/737
D514,954	S	*	2/2006	Kim	D9/757
D520,377	S	*	5/2006	Beese et al.	D9/762
7,255,231	B2	*	8/2007	Andrews et al.	206/521.1
D606,421	S	*	12/2009	Krummenacher	D9/757
D626,014	S	*	10/2010	Fosse et al.	D9/757

* cited by examiner

Primary Examiner — Mark Goodwin

(74) *Attorney, Agent, or Firm* — Bio Intellectual Property Services LLC (Bio IPS); O. M. (Sam) Zaghmout

(57) **CLAIM**

The ornamental design for an egg and food carton, as shown and described.

DESCRIPTION

FIG. 1 is a top view of the egg and food carton;
FIG. 2 is a bottom view of the egg and food carton;
FIG. 3 is a front view of the egg and food carton;
FIG. 4 is a back view of the egg and food carton;
FIG. 5 is a side view of the egg and food carton;
FIG. 6 is a bottom perspective view of the egg and food carton; and,
FIG. 7 is a top perspective view of the egg and food carton.

1 Claim, 4 Drawing Sheets

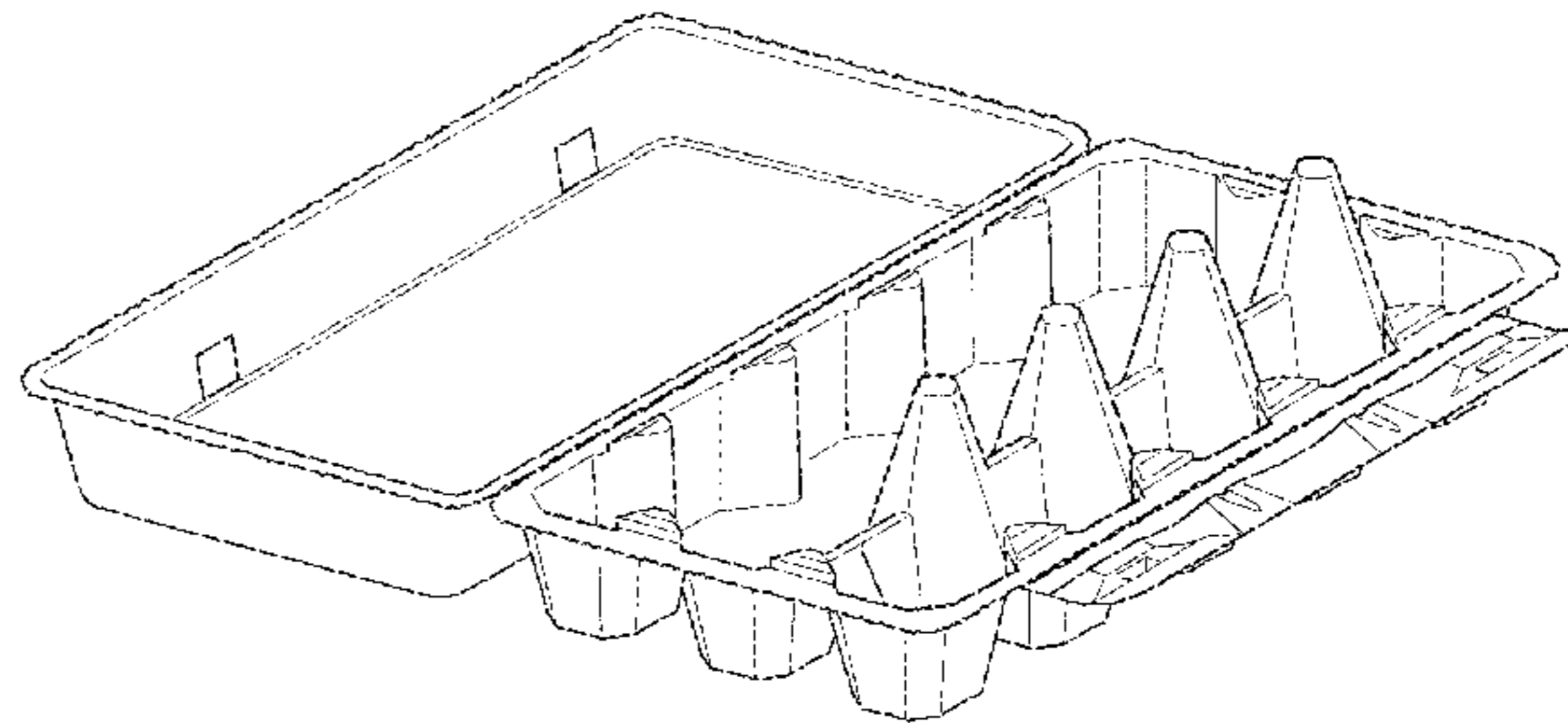
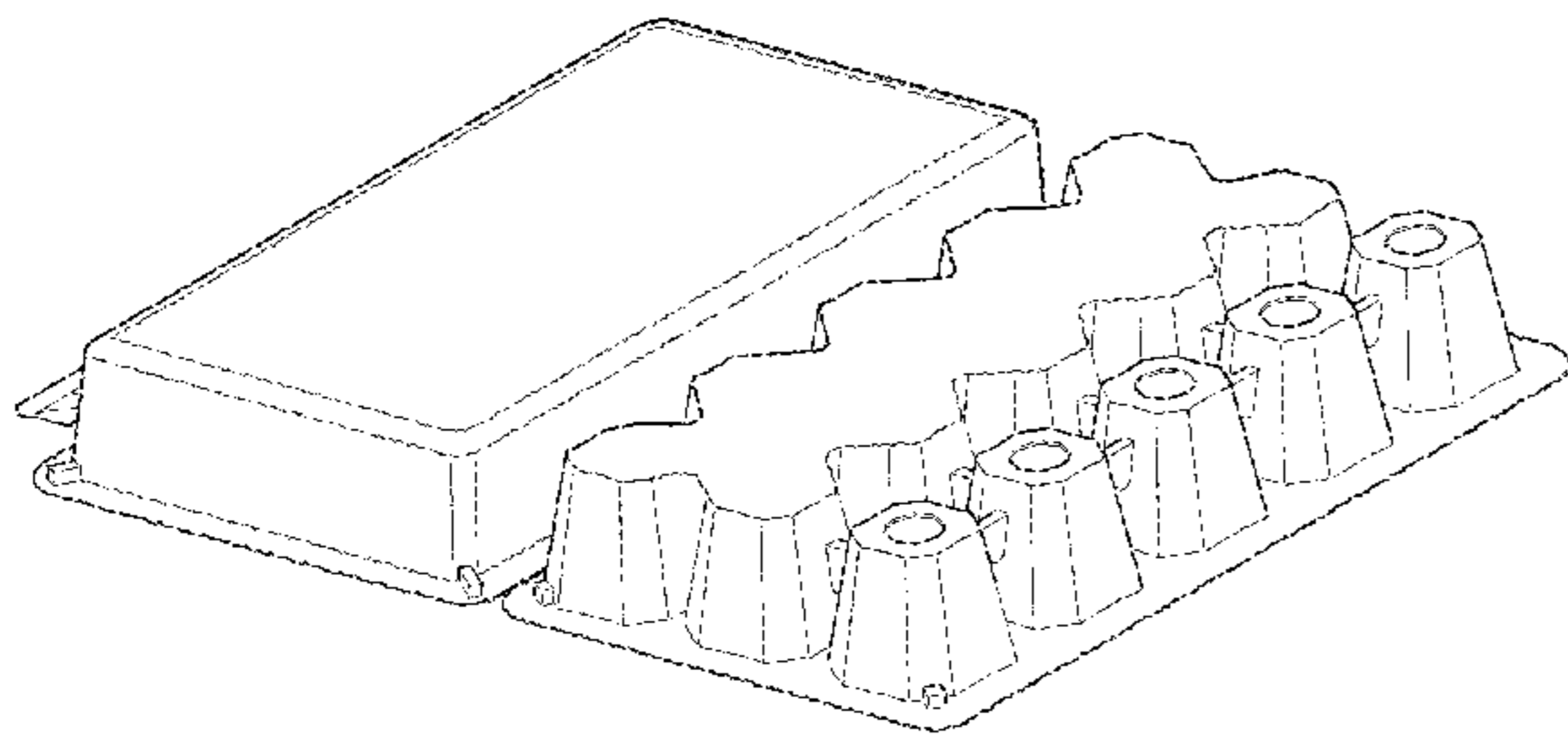


Fig. 2

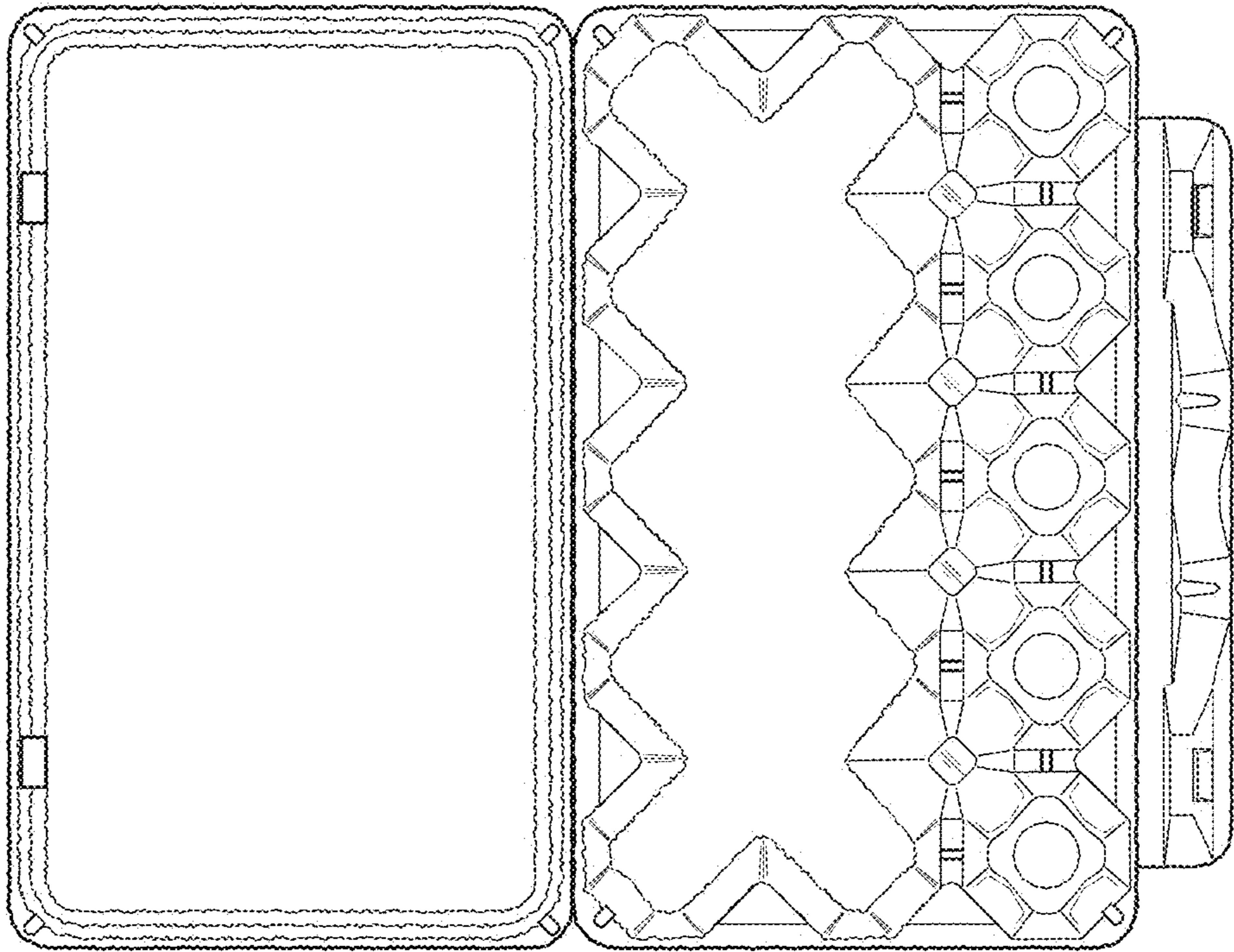


Fig. 1

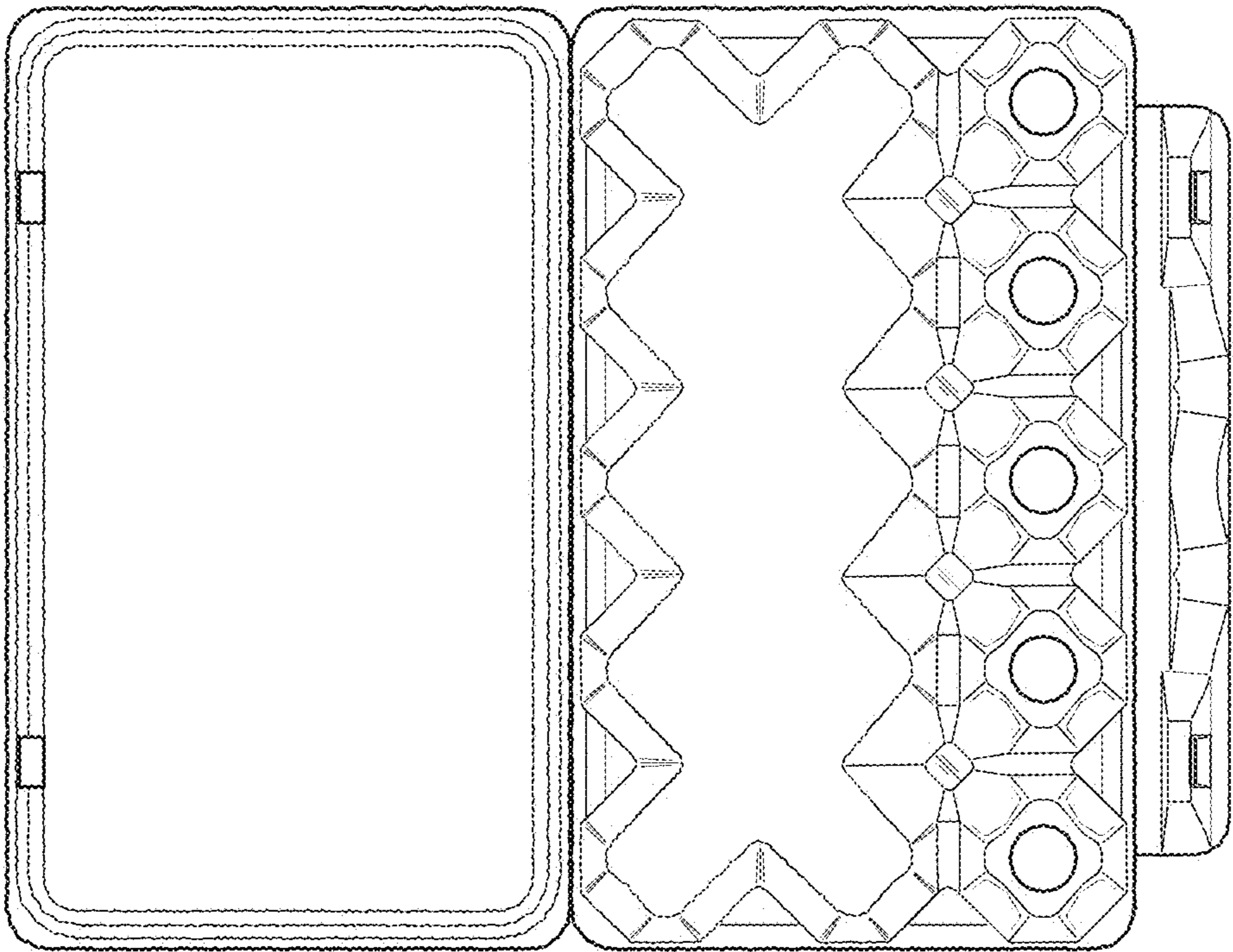


Fig. 3

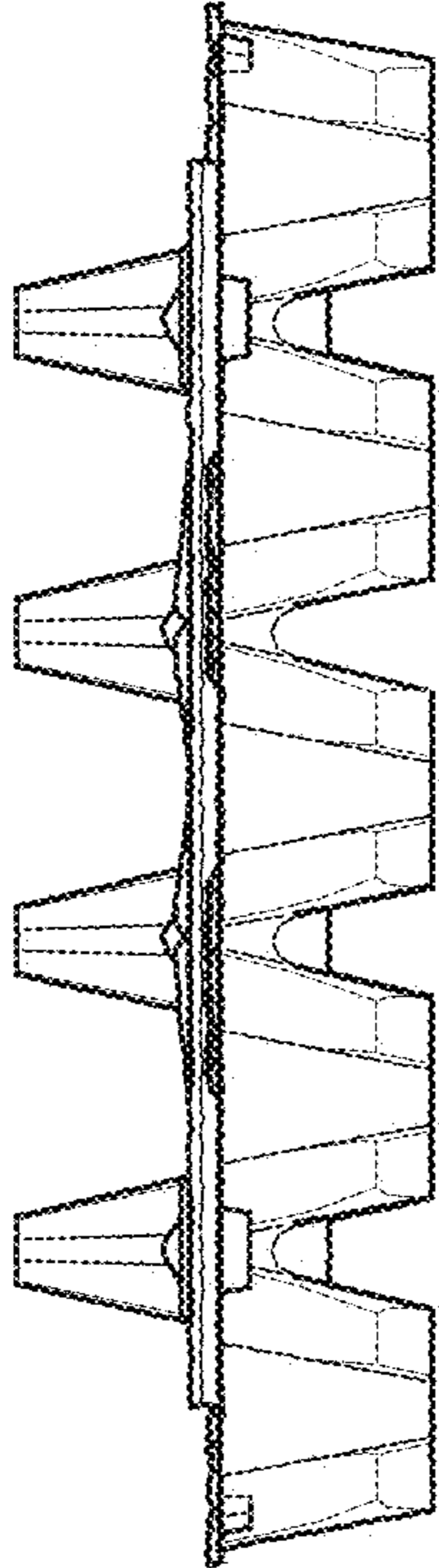


Fig. 4

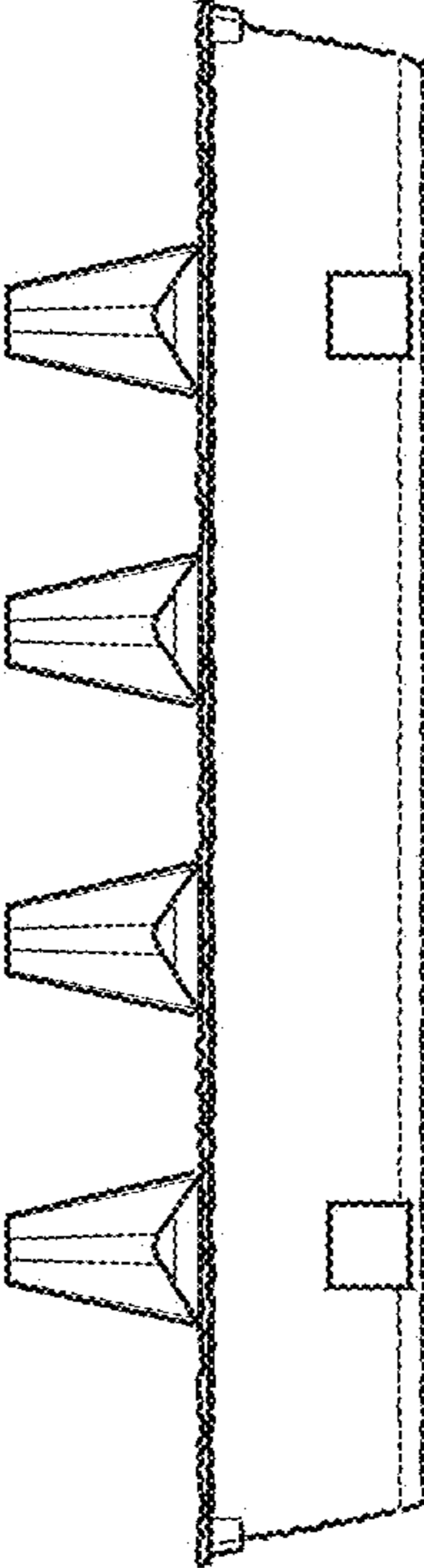
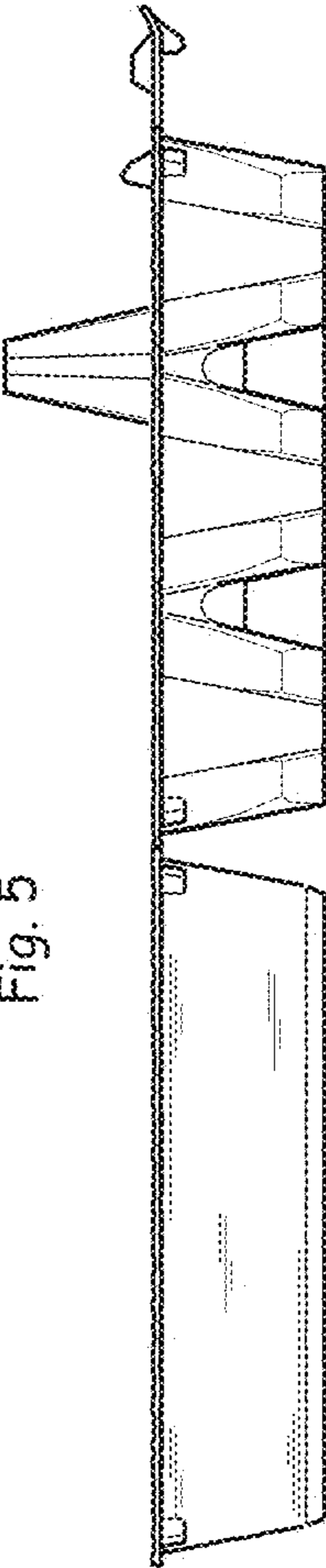


Fig. 5



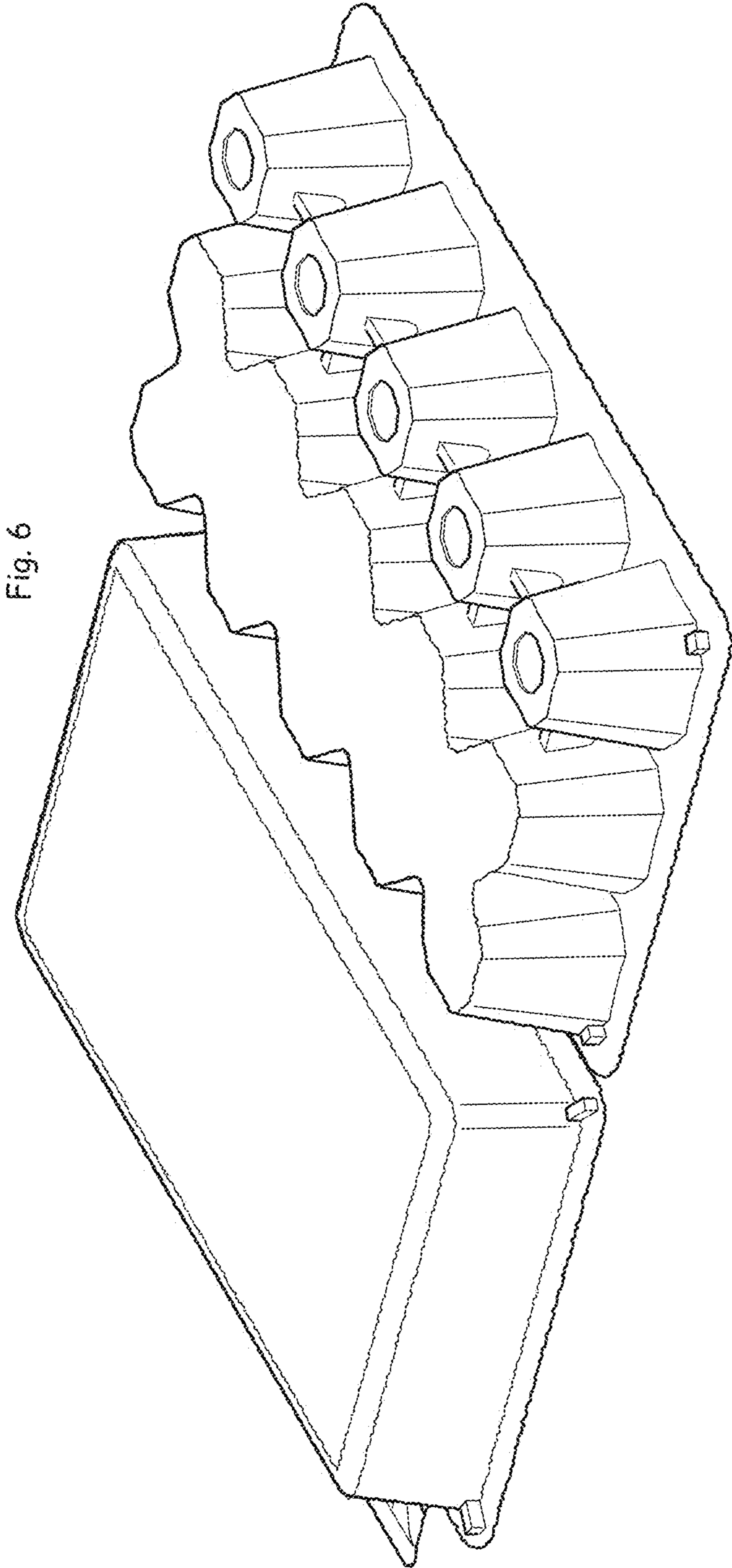


Fig. 6

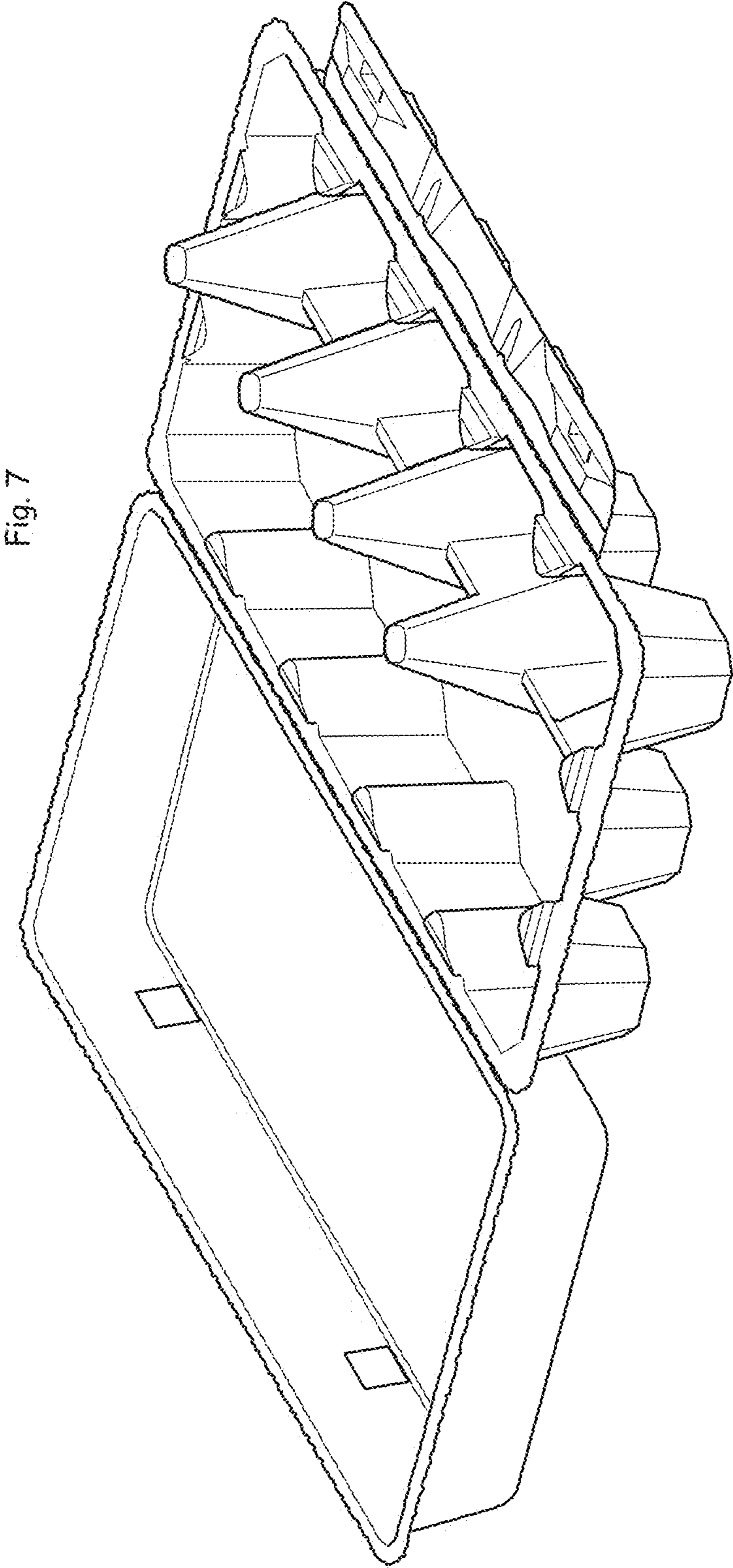


Fig. 7