



US00D682118S

(12) **United States Design Patent**
Egger

(10) **Patent No.:** **US D682,118 S**
(45) **Date of Patent:** **** May 14, 2013**

(54) **SLEEVE LABEL WITH WINDOW FOR PACKAGED COMESTIBLES**

8,118,189 B2 * 2/2012 LaGuardia et al. 220/592.24
D656,039 S * 3/2012 Schafer D9/711
8,181,371 B2 * 5/2012 Londino 40/310

(76) Inventor: **Cole Egger**, Dallas, TX (US)

* cited by examiner

(**) Term: **14 Years**

Primary Examiner — Caron D Veynar

Assistant Examiner — Abraham Bahta

(21) Appl. No.: **29/419,706**

(74) *Attorney, Agent, or Firm* — Jeffrey Roddy

(22) Filed: **May 1, 2012**

(57) **CLAIM**

(51) **LOC (9) Cl.** **09-05**

The ornamental design for a sleeve label with window for packaged comestibles, as shown and described.

(52) **U.S. Cl.**

USPC **D9/711**

DESCRIPTION

(58) **Field of Classification Search** D9/702–714,
D9/415, 444, 454, 455; D7/619.1, 622, 624.1,
D7/536; 220/737, 739, 592.01, 592.17, 592.06,
220/738, 915.1, 915.2; 428/35.2, 36.9;
215/394–396, 12.1, 12.2, 13.1; 206/459.1;
40/310; 283/56, 62; 156/84–86

FIG. 1 is a perspective view of the sleeve label with window for packaged comestibles with an opaque top band, an opaque middle section and a vertical transparent window with graduation in hours;

See application file for complete search history.

FIG. 2 is an enlarged view taken from FIG. 1 for ease of illustration;

(56) **References Cited**

FIG. 3 is a perspective view of the sleeve label with window for packaged comestibles in use; and,

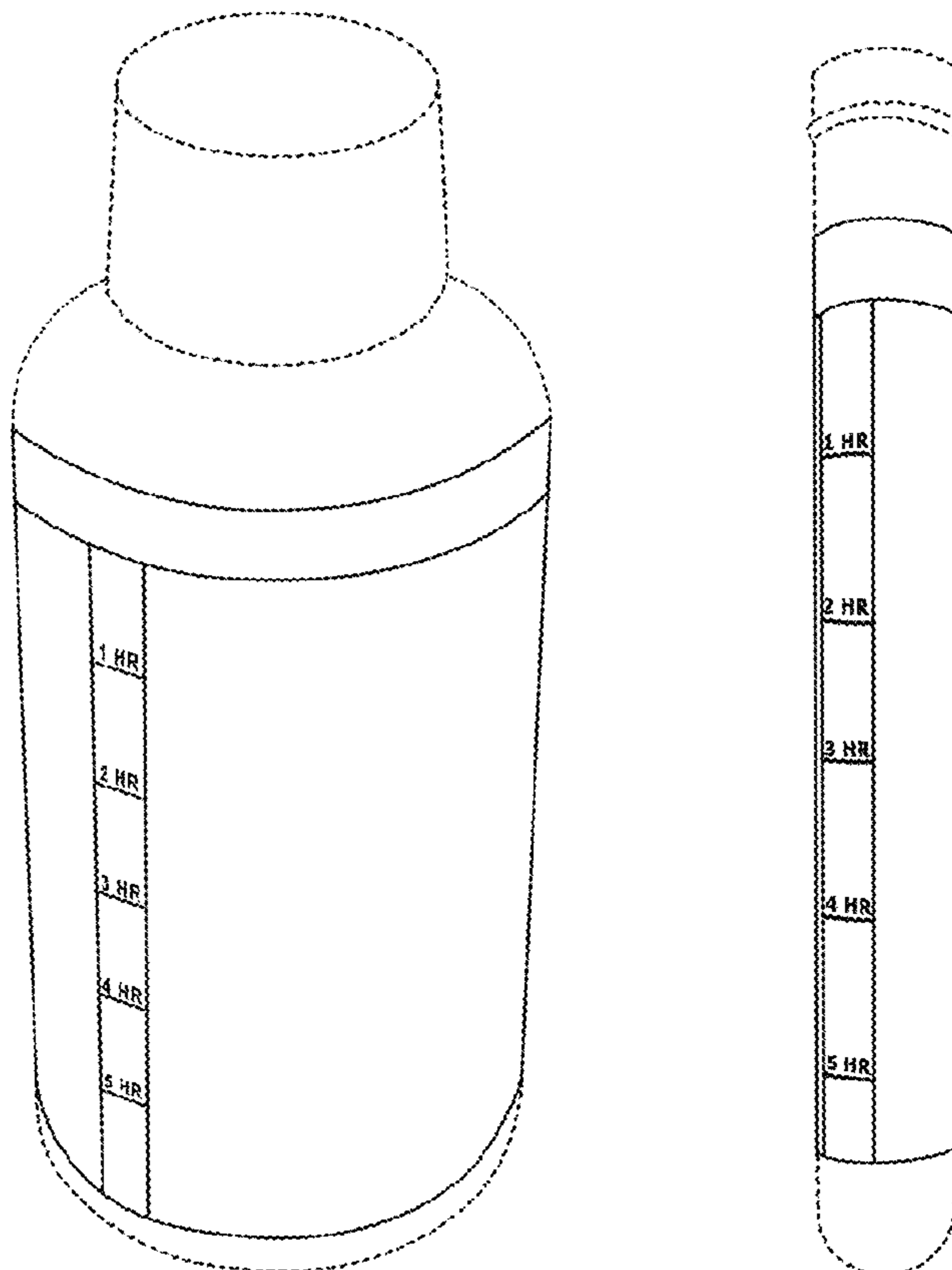
U.S. PATENT DOCUMENTS

4,626,455 A * 12/1986 Karabedian 428/34.7
D377,741 S * 2/1997 Bennett et al. D7/622
6,129,959 A * 10/2000 Mercer et al. 428/35.5
6,386,756 B1 * 5/2002 Rice 374/157
D464,875 S * 10/2002 Koppang D9/711
7,921,583 B2 * 4/2011 Londino 40/310
8,114,491 B2 * 2/2012 McAllister et al. 428/35.2

FIG. 4 is another view of the sleeve label with window for packaged comestibles in use on a test tube.

The dashed lines in FIGS. 3 and 4 representing a bottle and a test tube respectively, are exemplary of typical use as part of an environmental setting, and form no part of the claimed design.

1 Claim, 2 Drawing Sheets



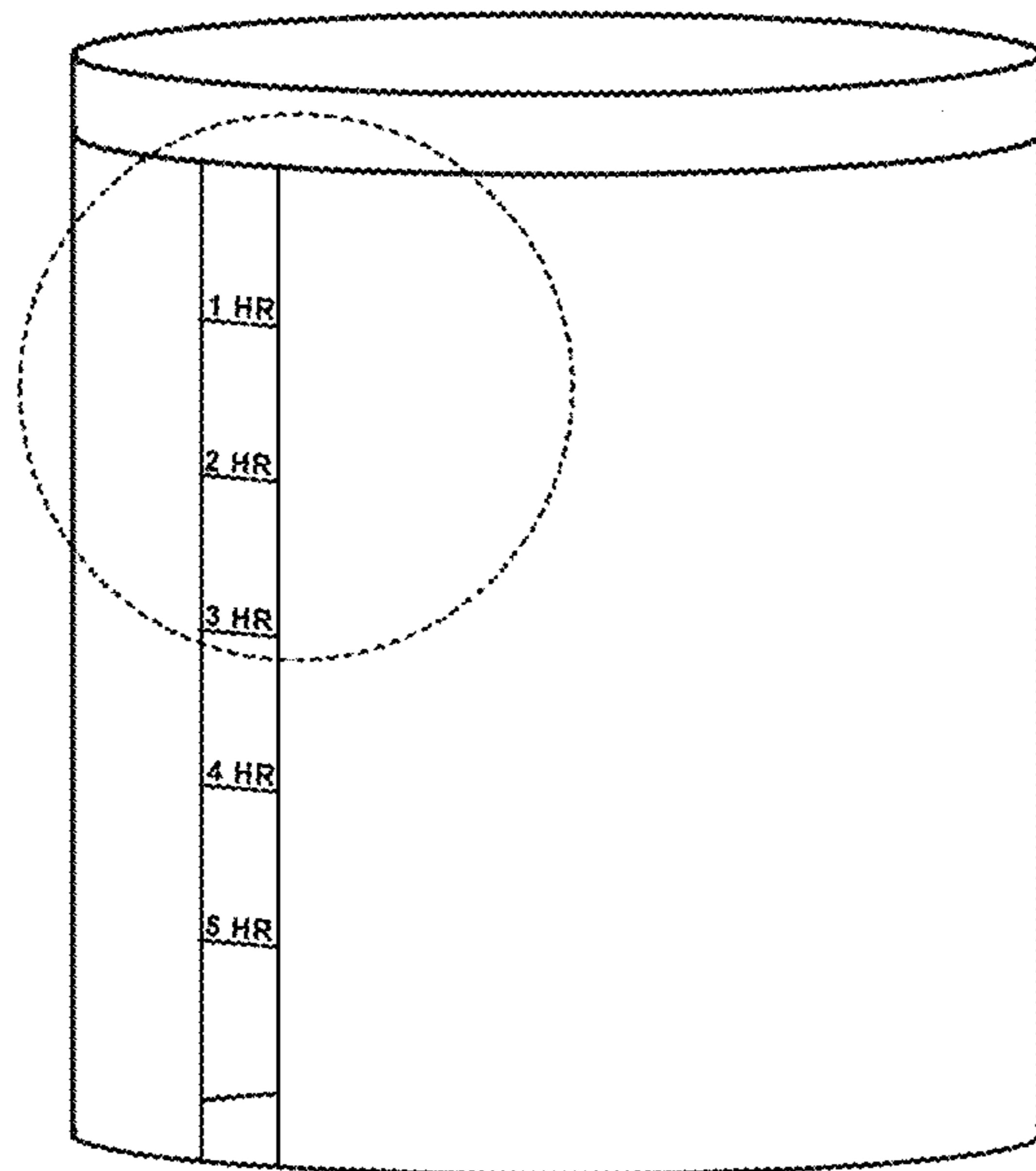


FIG. 1

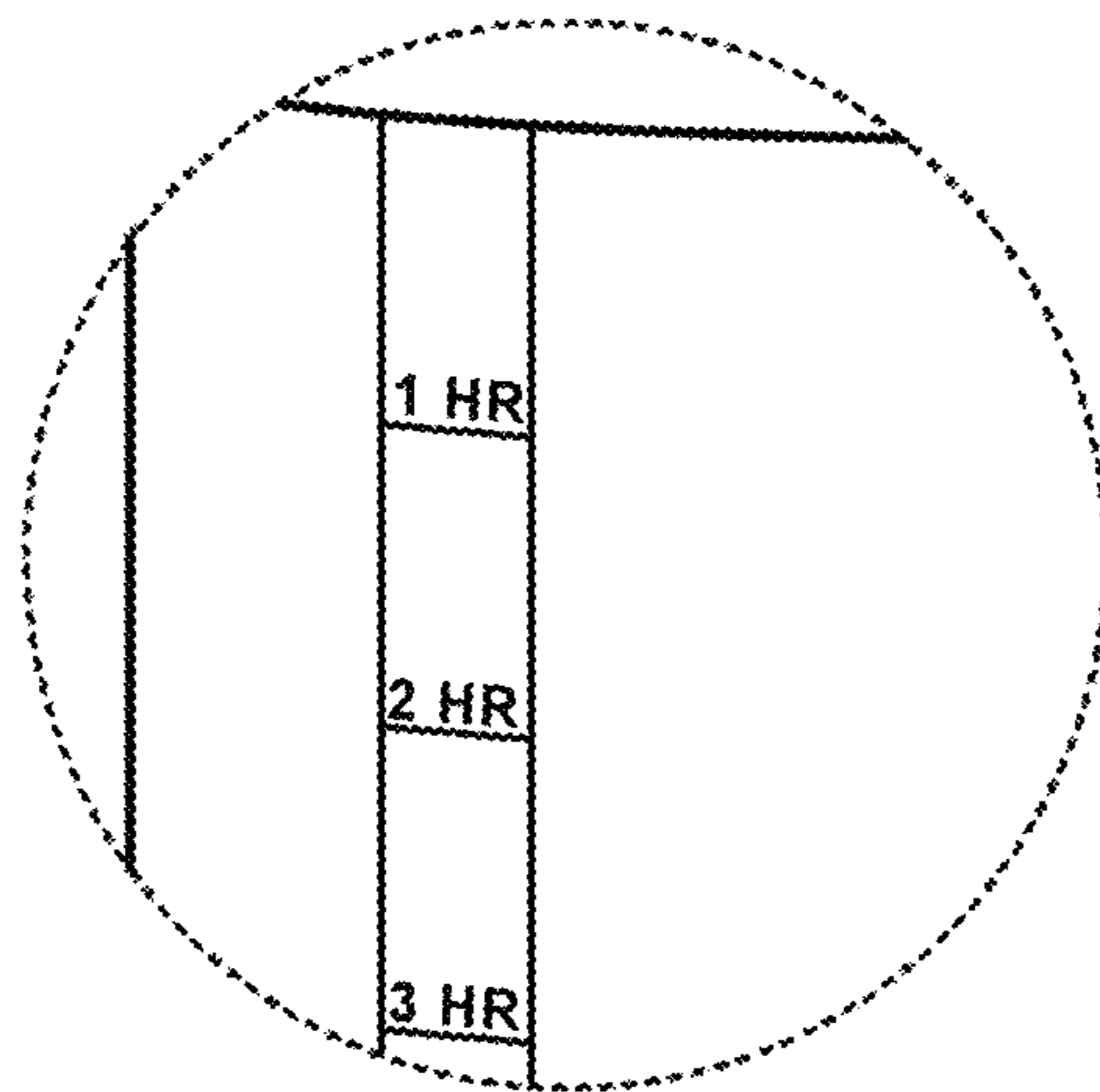


FIG. 2

FIG.3

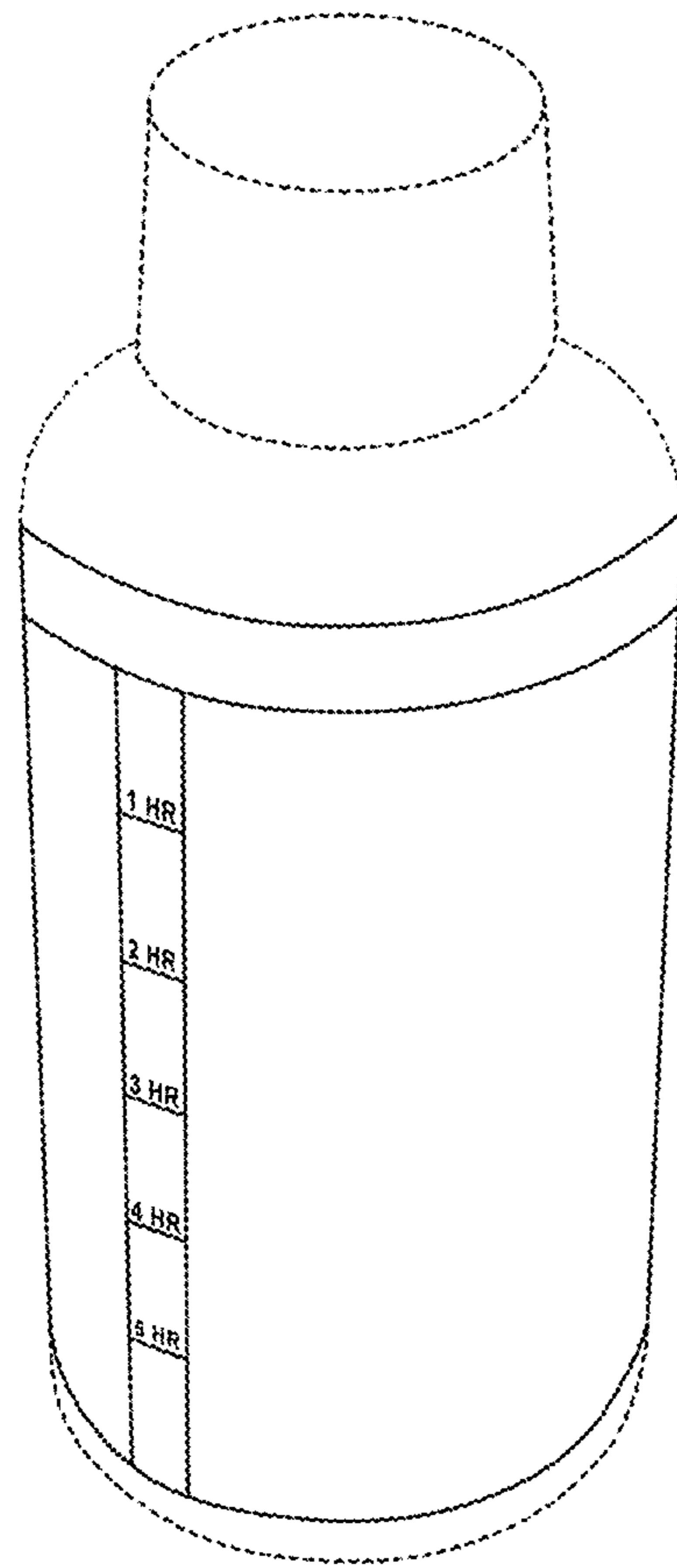


FIG.4

