



US00D682109S

(12) **United States Design Patent**
Haupt

(10) **Patent No.:** **US D682,109 S**

(45) **Date of Patent:** **** May 14, 2013**

(54) **BOTTLE**

(75) **Inventor:** **Christian Haupt**, Esslingen (DE)

(73) **Assignee:** **Orochemie GmbH & Co. KG**,
Kornwestheim (DE)

(**) **Term:** **14 Years**

(21) **Appl. No.:** **29/394,285**

(22) **Filed:** **Jun. 15, 2011**

(30) **Foreign Application Priority Data**

Dec. 16, 2010 (EM) 001794470

(51) **LOC (9) Cl.** **09-01**

(52) **U.S. Cl.**
USPC **D9/522; D9/523; D9/575**

(58) **Field of Classification Search** D9/516,
D9/522-523, 529-530, 541-543, 552, 559,
D9/565, 571, 574-575; 215/379, 381-385
See application file for complete search history.

(56) **References Cited**

U.S. PATENT DOCUMENTS

D86,460 S *	3/1932	Keating	D9/522
D277,363 S *	1/1985	Drummond et al.	D9/543 X
D284,835 S *	7/1986	Banks	D9/572
D305,980 S *	2/1990	Binder et al.	D9/543
D333,618 S *	3/1993	Patel et al.	D9/523 X
D346,555 S *	5/1994	Binder	D9/523 X
D355,125 S *	2/1995	Patel et al.	D9/522
D355,126 S *	2/1995	Paulovich et al.	D9/522
D409,090 S *	5/1999	Lai et al.	D9/543 X
D415,687 S *	10/1999	Lai et al.	D9/523
D432,920 S *	10/2000	Johnson et al.	D9/543

D439,156 S *	3/2001	Hall et al.	D9/743
D536,981 S *	2/2007	Toth et al.	D9/522
D552,479 S *	10/2007	Mongeon et al.	D9/565
D562,140 S *	2/2008	Crabtree et al.	D9/575 X
D579,778 S *	11/2008	De Gopegui et al.	D9/543 X
D606,411 S *	12/2009	Mongeon et al.	D9/575 X
D606,412 S *	12/2009	Schwartz et al.	D9/530
D615,411 S *	5/2010	Kuzma et al.	D9/565 X
D617,646 S *	6/2010	Kuzma et al.	D9/575 X
D619,466 S *	7/2010	Synder	D9/571 X
D619,466 S *	7/2010	Synder	D9/571 X
D623,532 S *	9/2010	Kuzma et al.	D9/574 X
D649,467 S *	11/2011	Sheridan et al.	D9/541
D649,474 S *	11/2011	Toh et al.	D9/542 X
D658,500 S *	5/2012	Haupt	D9/561 X

* cited by examiner

Primary Examiner — Carol P Rademaker

(74) *Attorney, Agent, or Firm* — Harness, Dickey & Pierce,
P.L.C.

(57) **CLAIM**

The ornamental design for a bottle, as shown and described.

DESCRIPTION

FIG. 1 is a top, front, left side perspective view of my new design;

FIG. 2 is a front elevational view thereof;

FIG. 3 is a rear elevational view thereof;

FIG. 4 is a right side elevational view thereof;

FIG. 5 is a left side elevational view thereof;

FIG. 6 is a top plan view thereof; and,

FIG. 7 is a bottom plan view thereof.

The broken lines shown in the drawing views are included for the purpose of illustrating environmental structure and form no part of the claimed design.

1 Claim, 6 Drawing Sheets

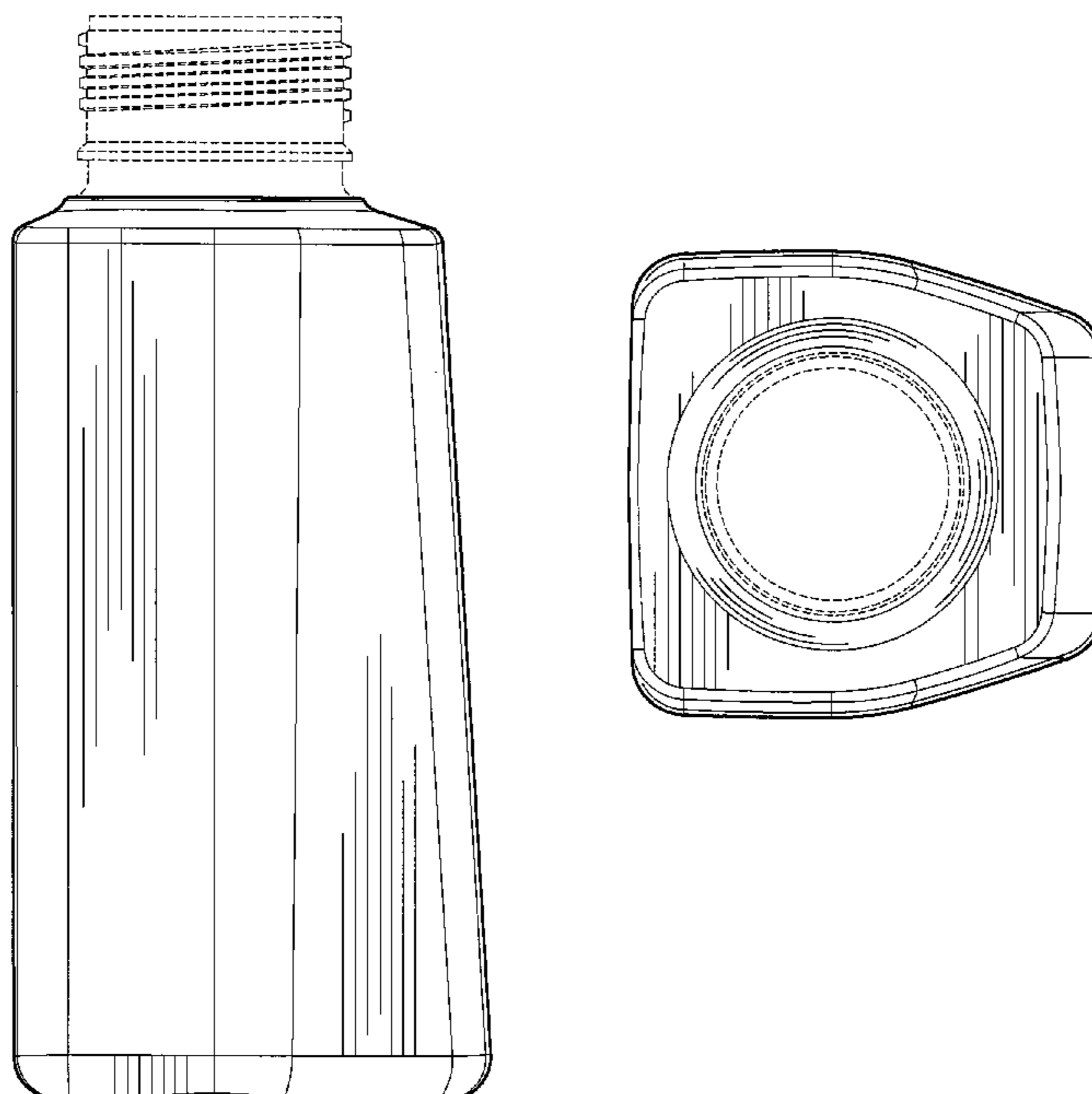


FIG - 1

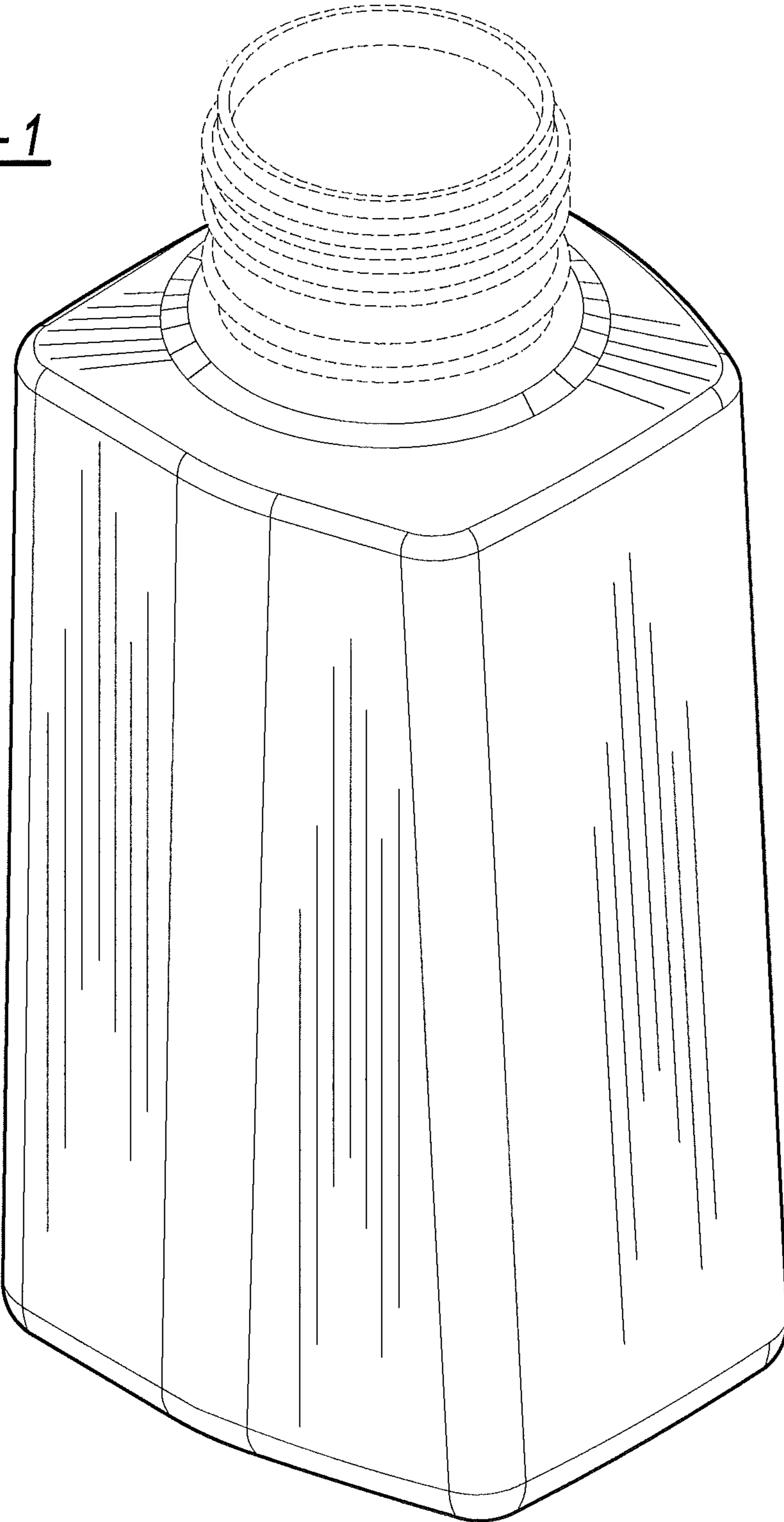


FIG - 2

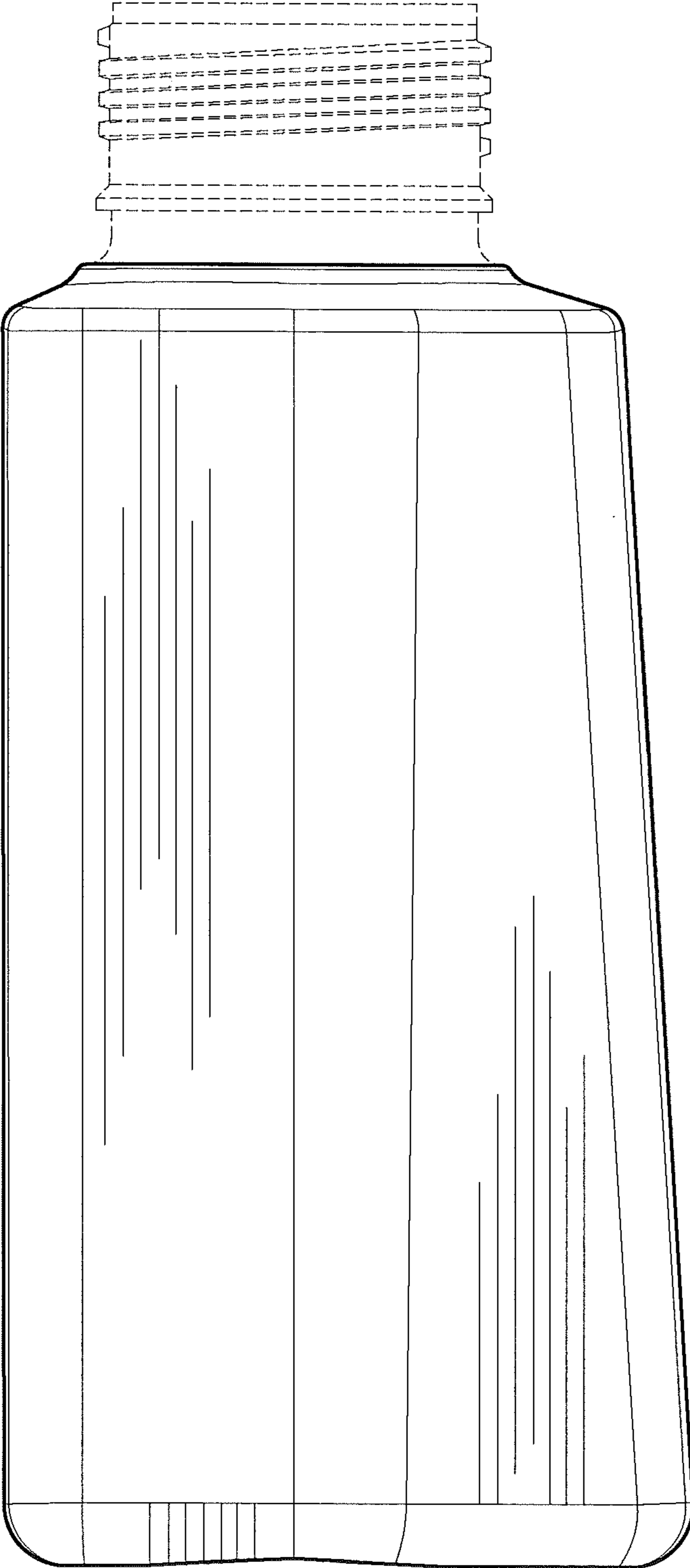


FIG - 3

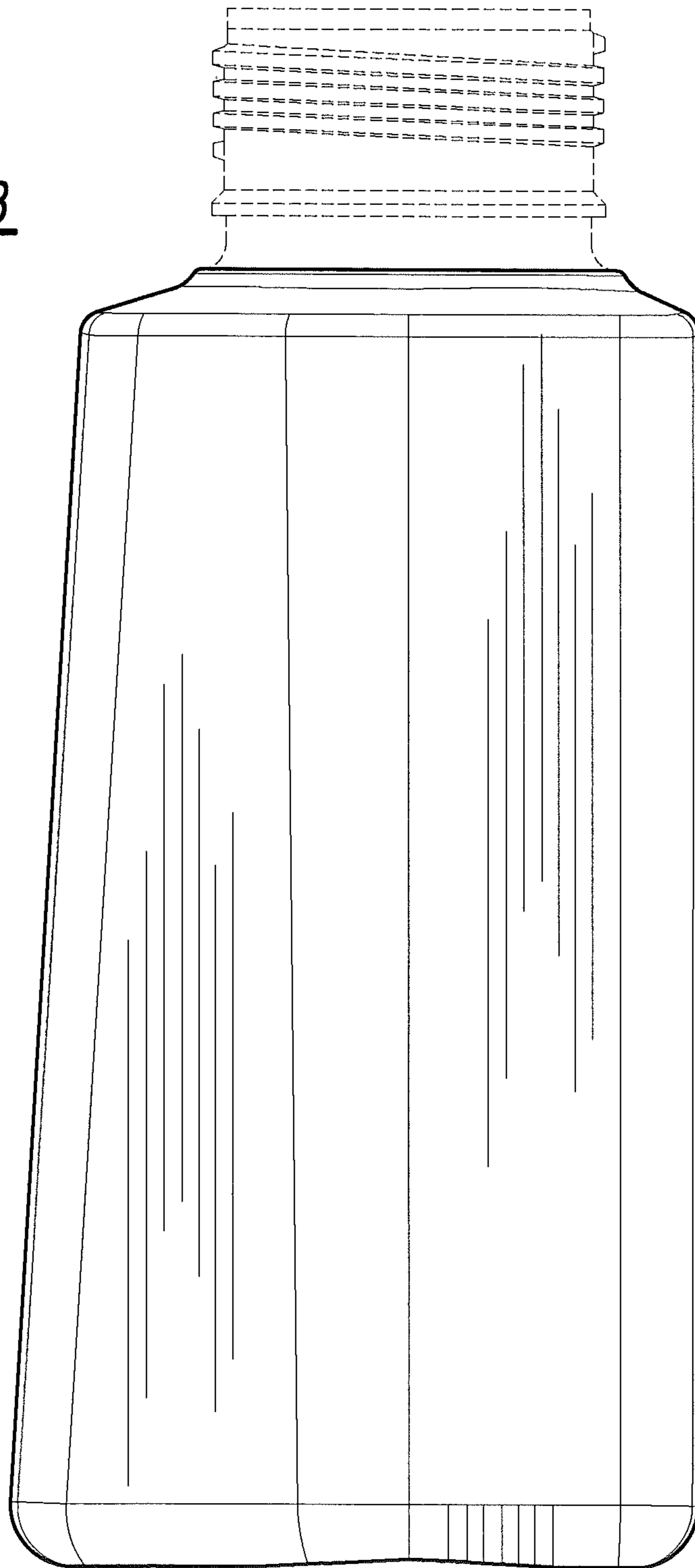
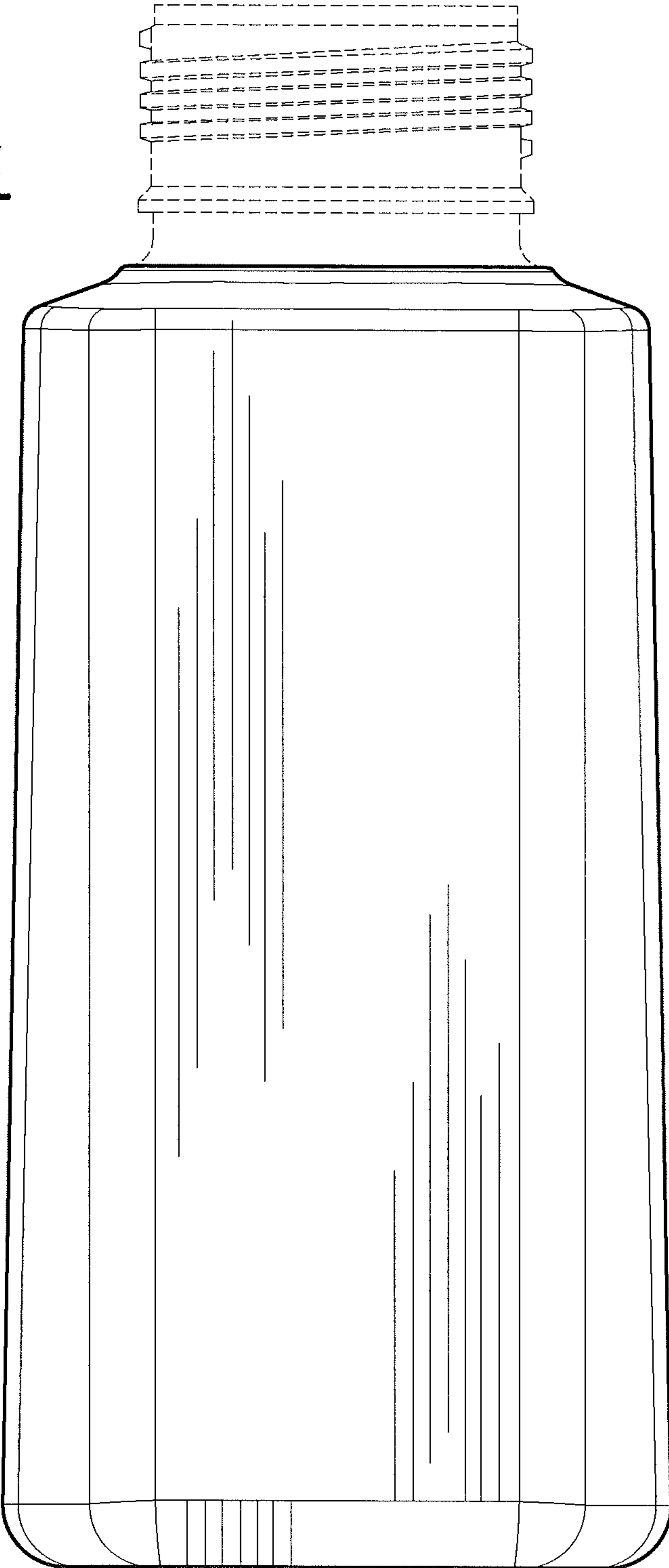


FIG - 4



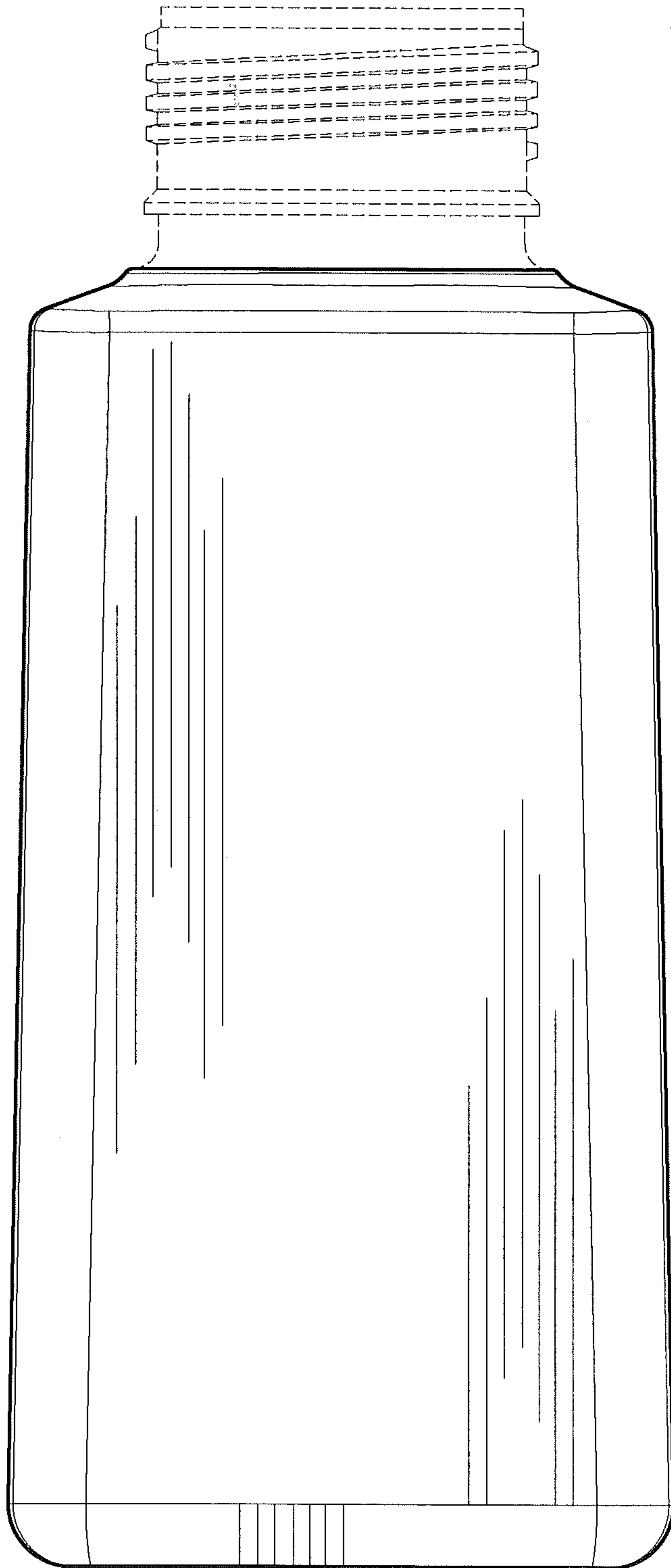


FIG - 5

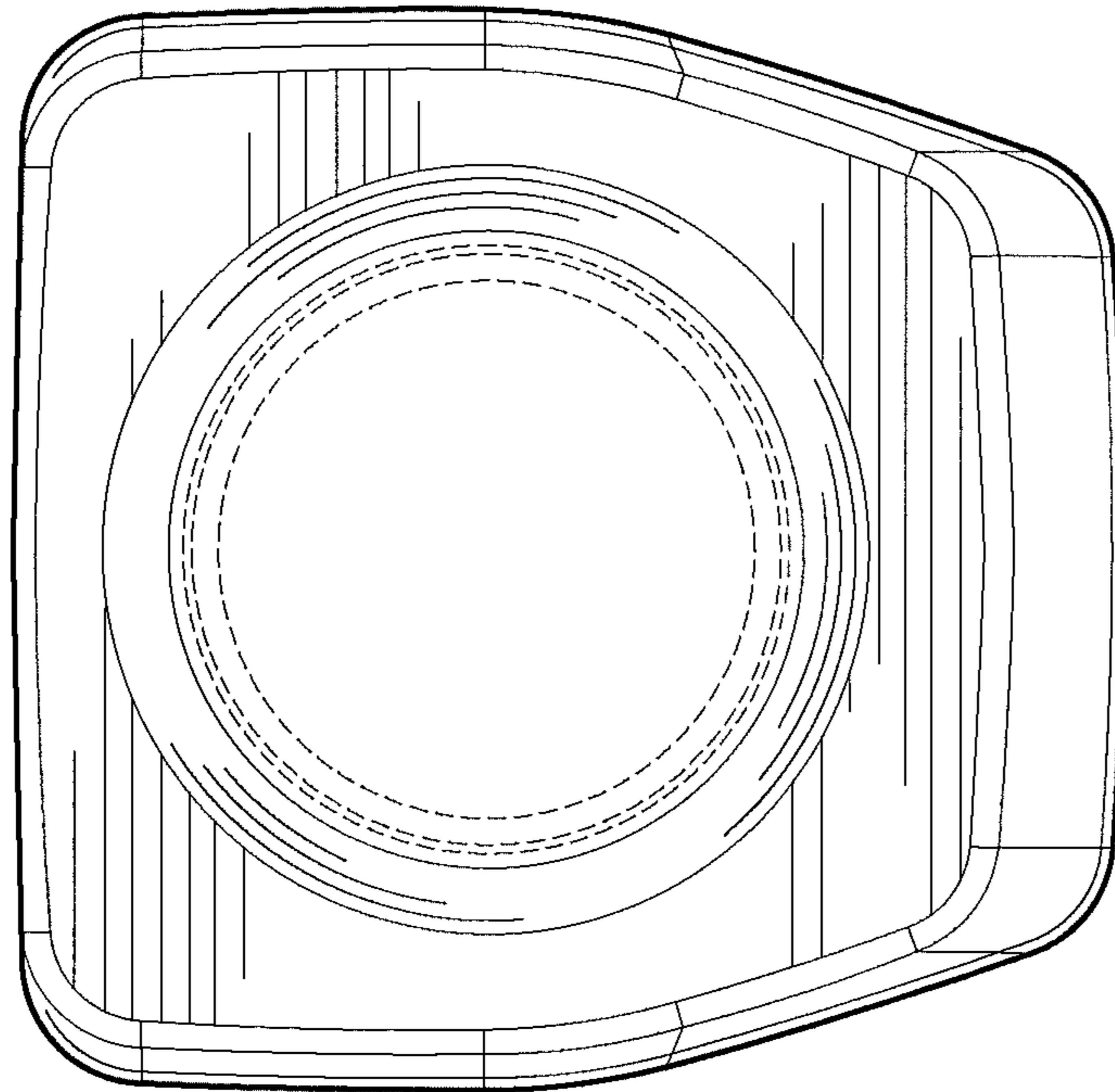


FIG - 6

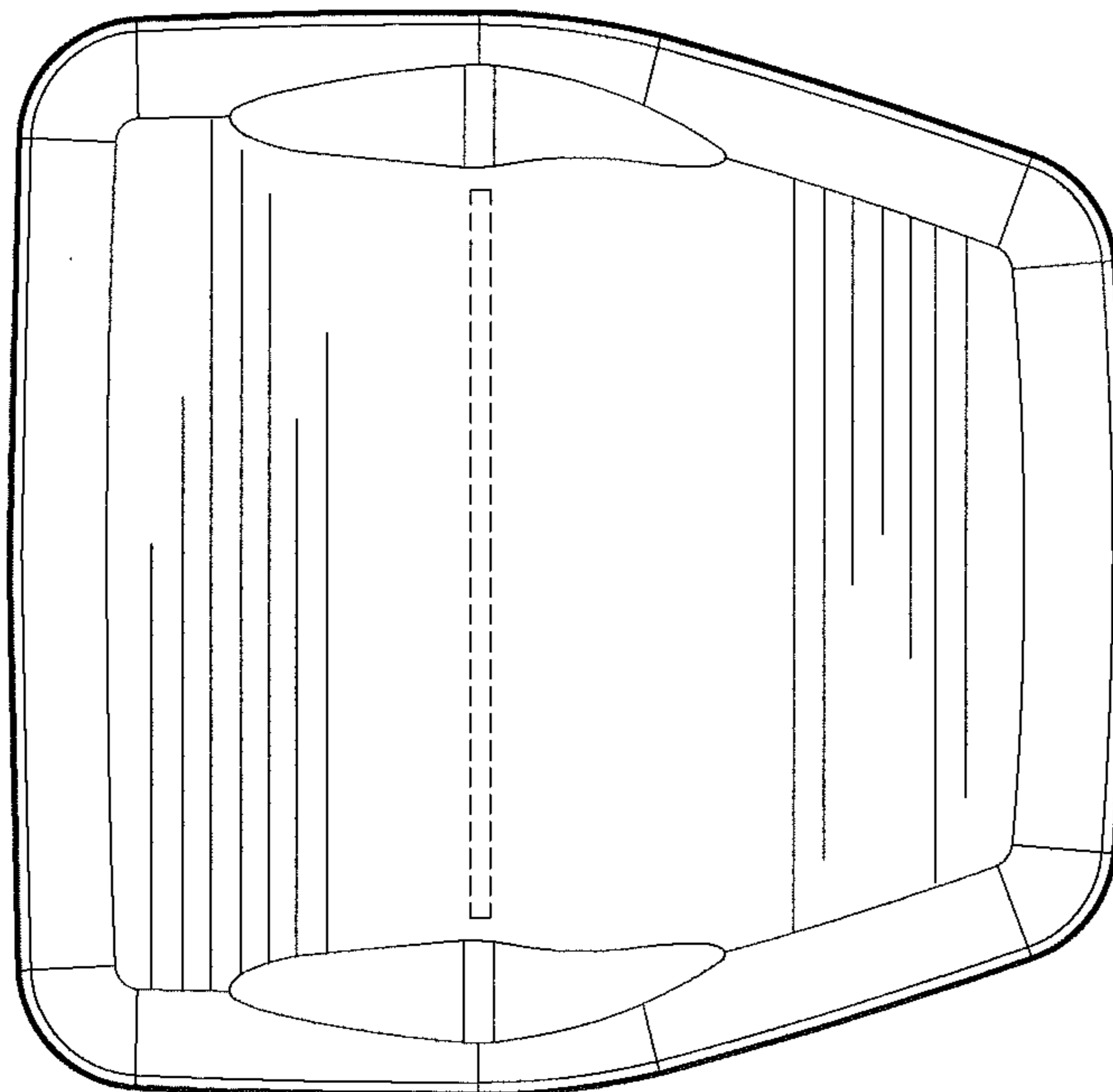


FIG - 7